

T LEVER HANDLES

Range

Handles Inc

Base Material

Stainless Steel

- Stainless Steel
- Satin Brass
- Brushed Bronze
- Titanium
- Black

Overview

Welcome to our T lever door handles. Whether you are looking for a lever on rose knurled or lines you will find them here. Our collection is manufactured from stainless steel and is available in a range of finishes including brushed bronze, satin brass and more.



KNURLED T

LEVER ON ROUND ROSE

Materials:

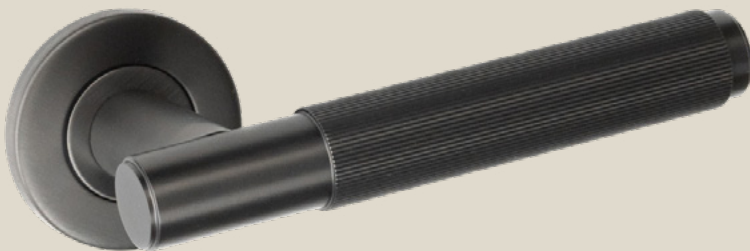
Sold as a pair with keyhole or cylinder escutcheons, spindle and all necessary fixings.

Dimensions:

Handle Length: 140mm / Rose Ø: 52mm

Finish:

SKU: CH111, CH113, CH051, CH118, CH112



LINES T

LEVER ON ROUND ROSE

Materials:

Sold as a pair with keyhole or cylinder escutcheons, spindle and all necessary fixings.

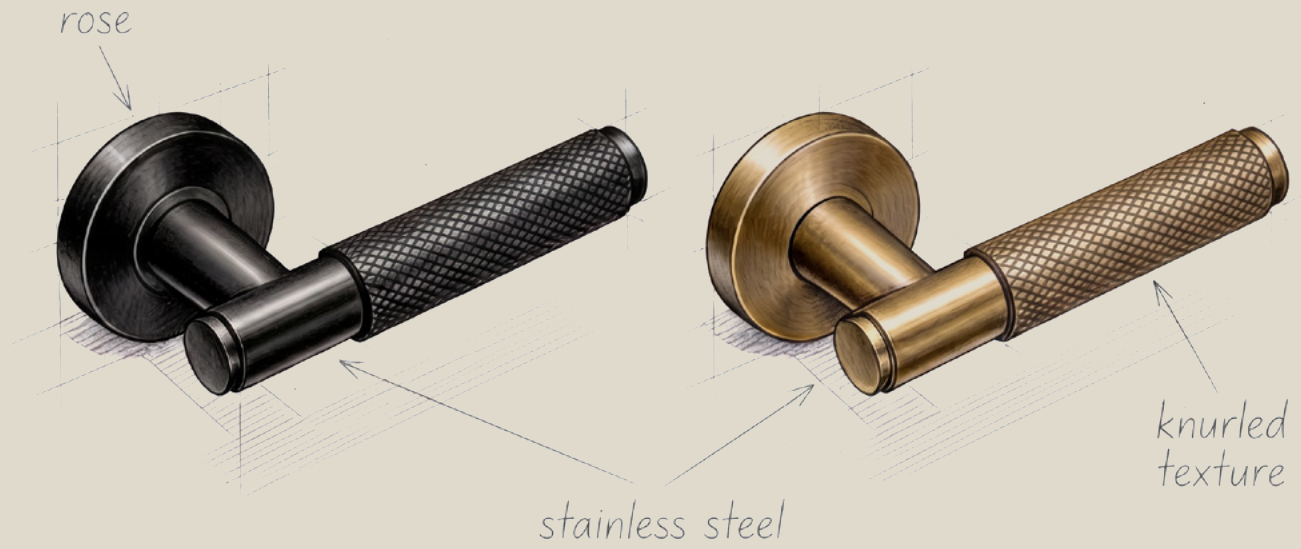
Dimensions:

Handle Length: 140mm / Rose Ø: 52mm

Finish:

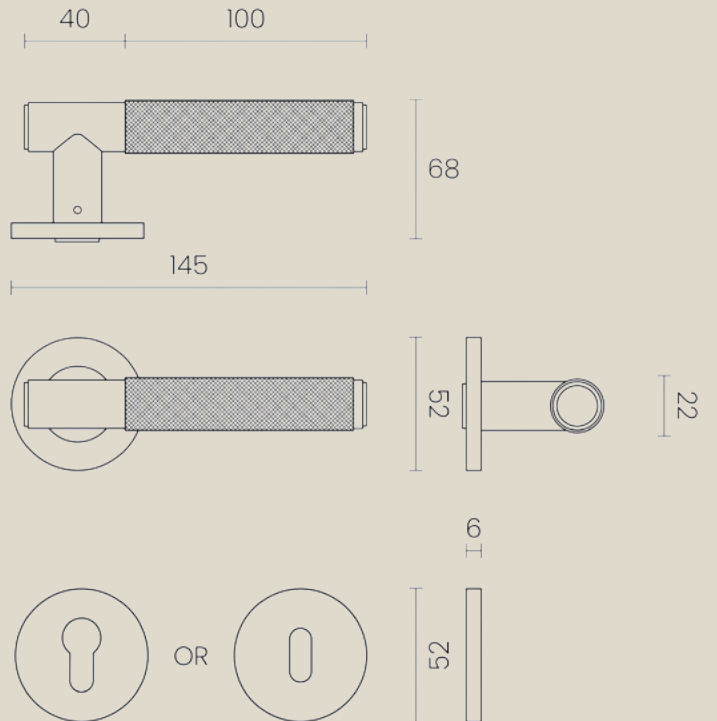
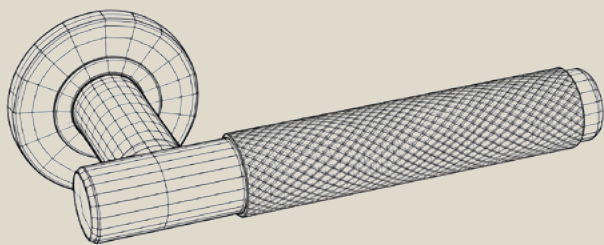
SKU: CH114, CH116, CH069, CH120, CH115

Knurled T

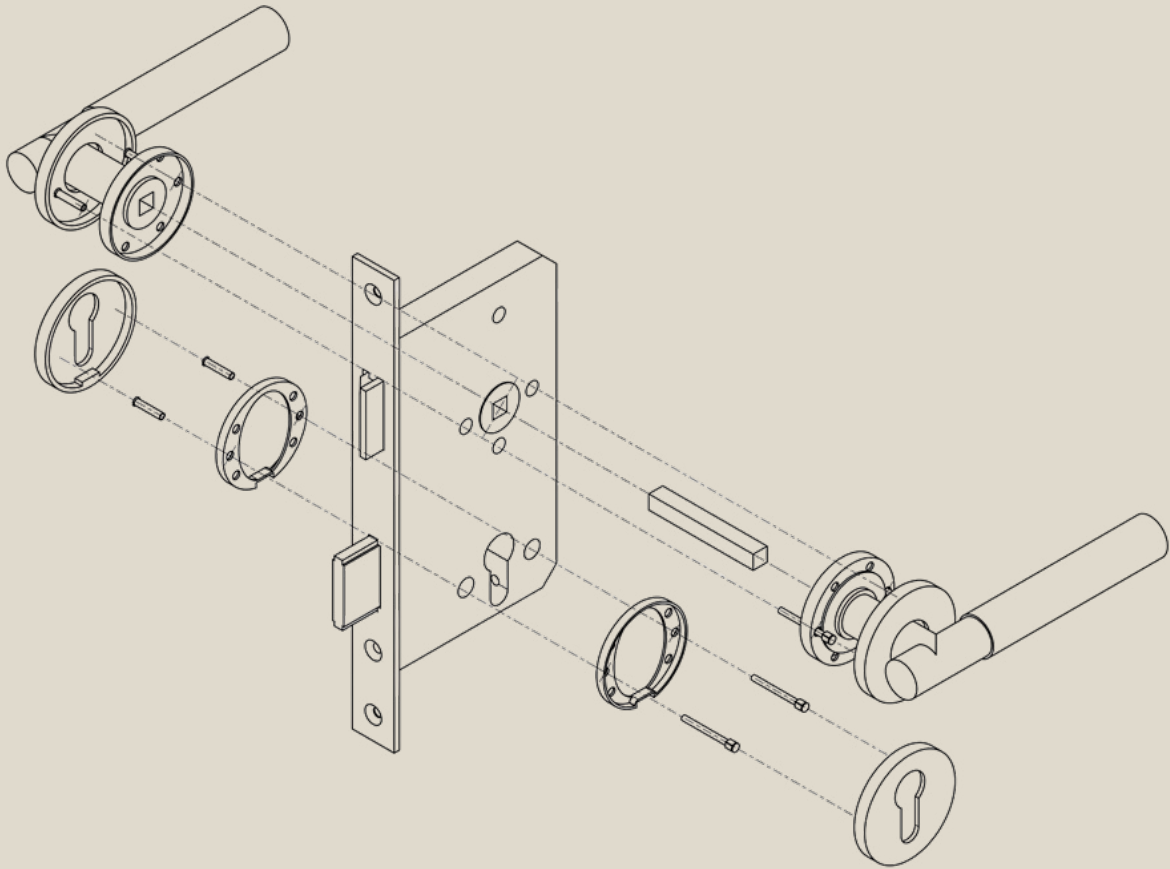


KNURLED T LEVER ON ROSE

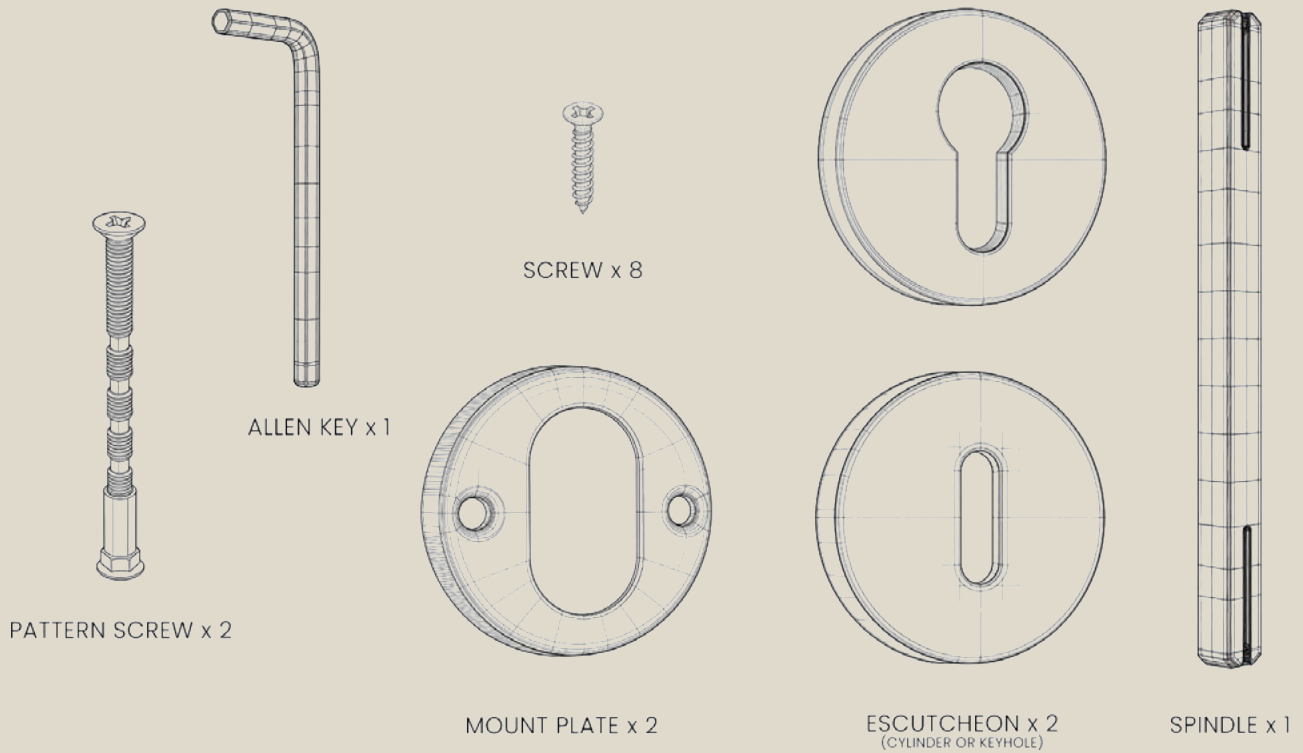
[Click on the colour swatch or SKU to view online*](#)



DIMENSIONS

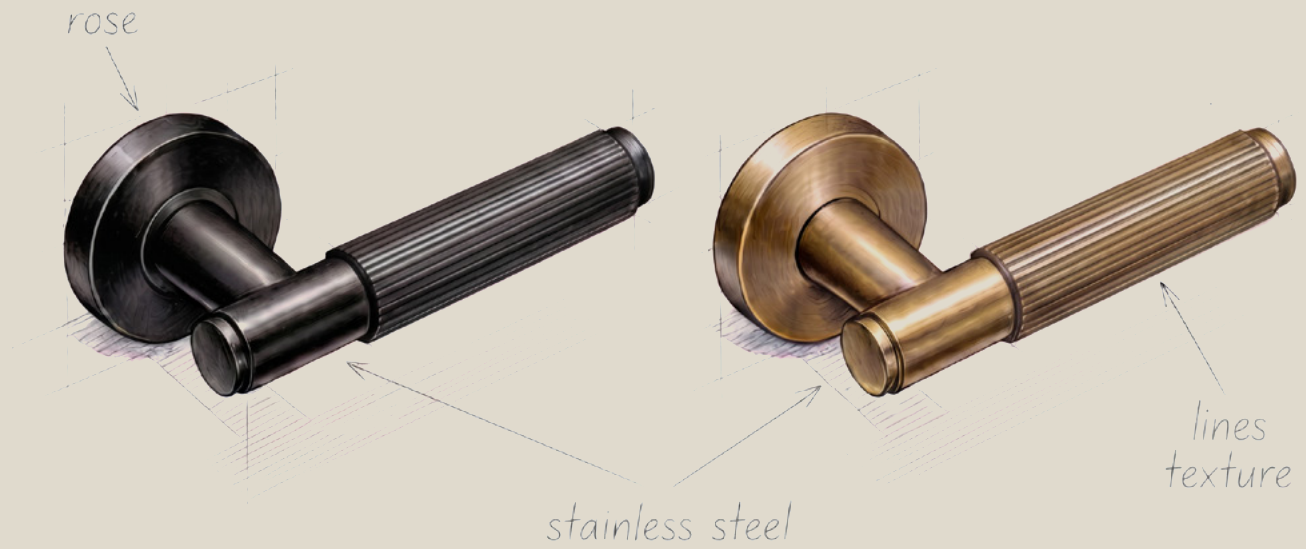


INSTALLATION



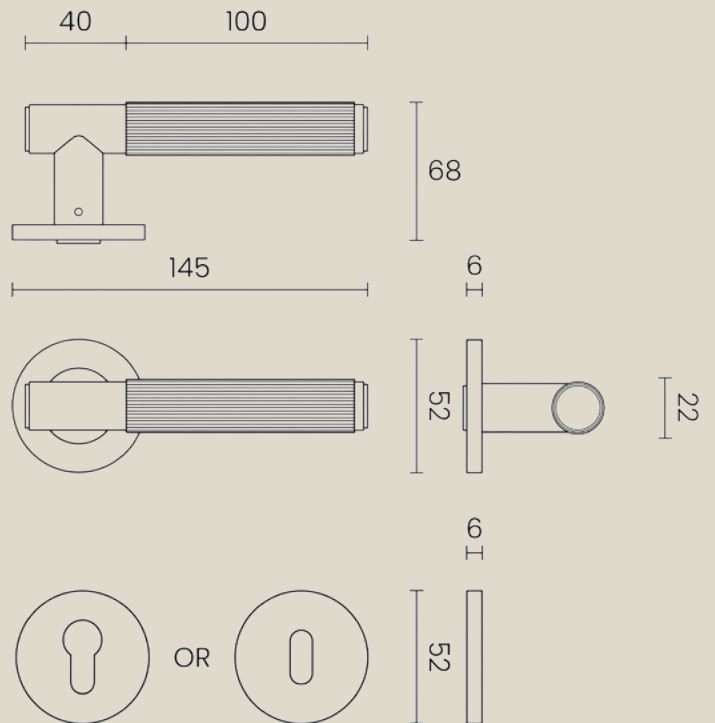
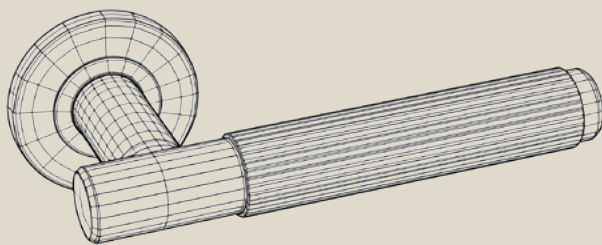
WHAT'S IN THE BOX

Lines T

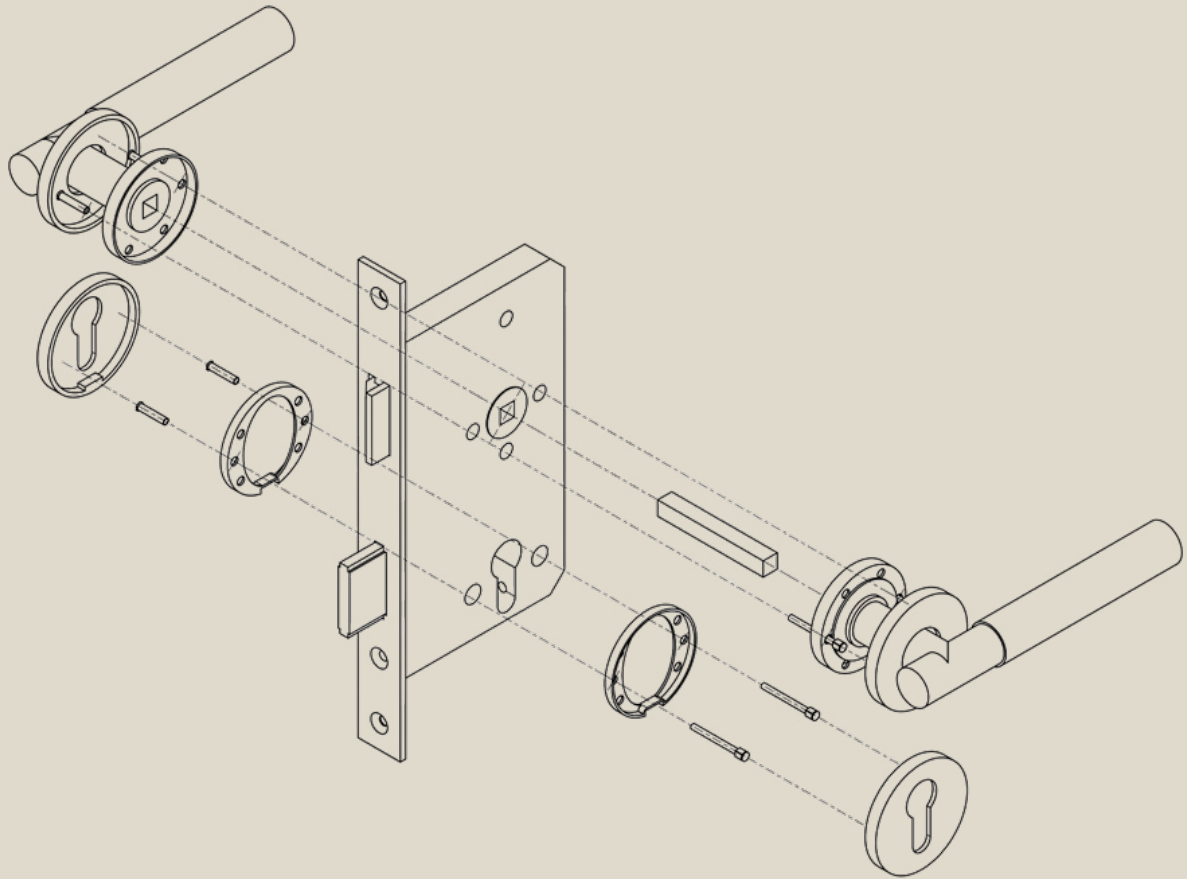


LINES T LEVER ON ROSE

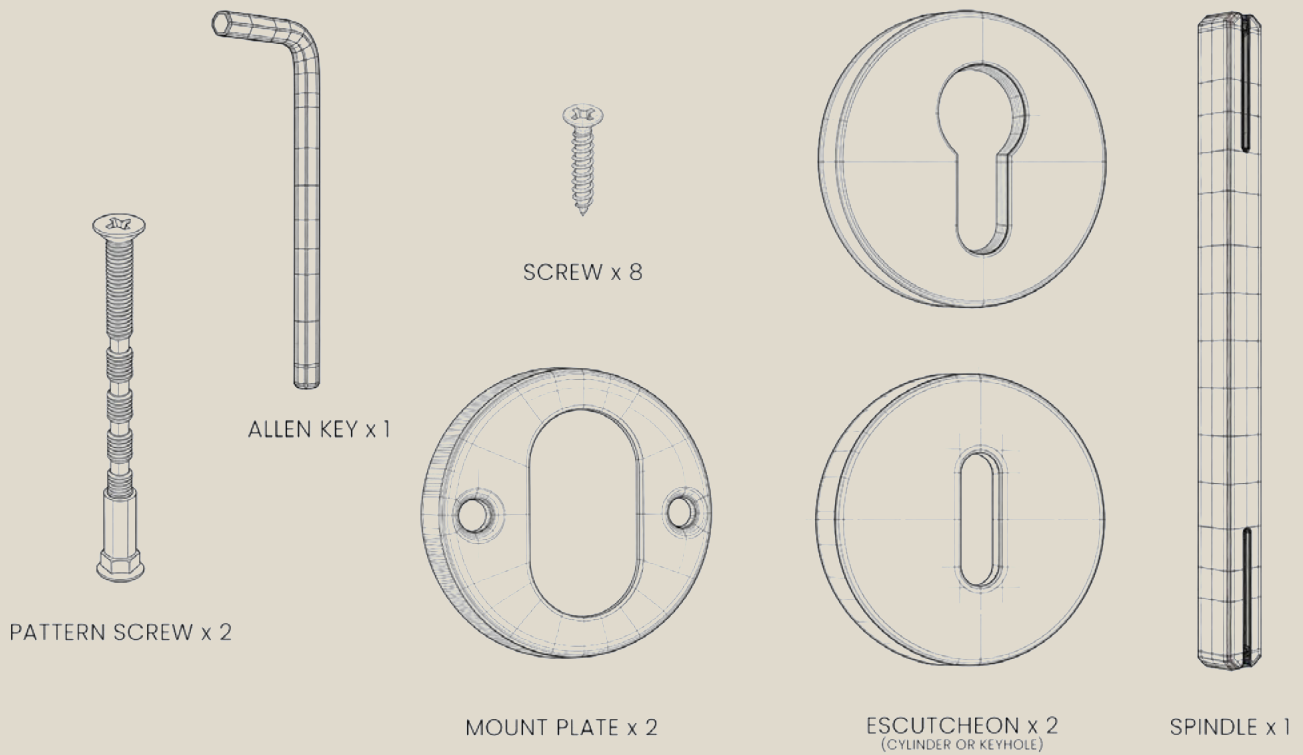
[Click on the colour swatch or SKU to view online*](#)



DIMENSIONS



INSTALLATION



WHAT'S IN THE BOX



Handles
INC.

