



Katalóg náhradných dielov • Katalog náhradních dílů  
Alkatrész katalógus • Catalog de piese de schimb  
Spare parts catalogue • Ersatzteilkatalog



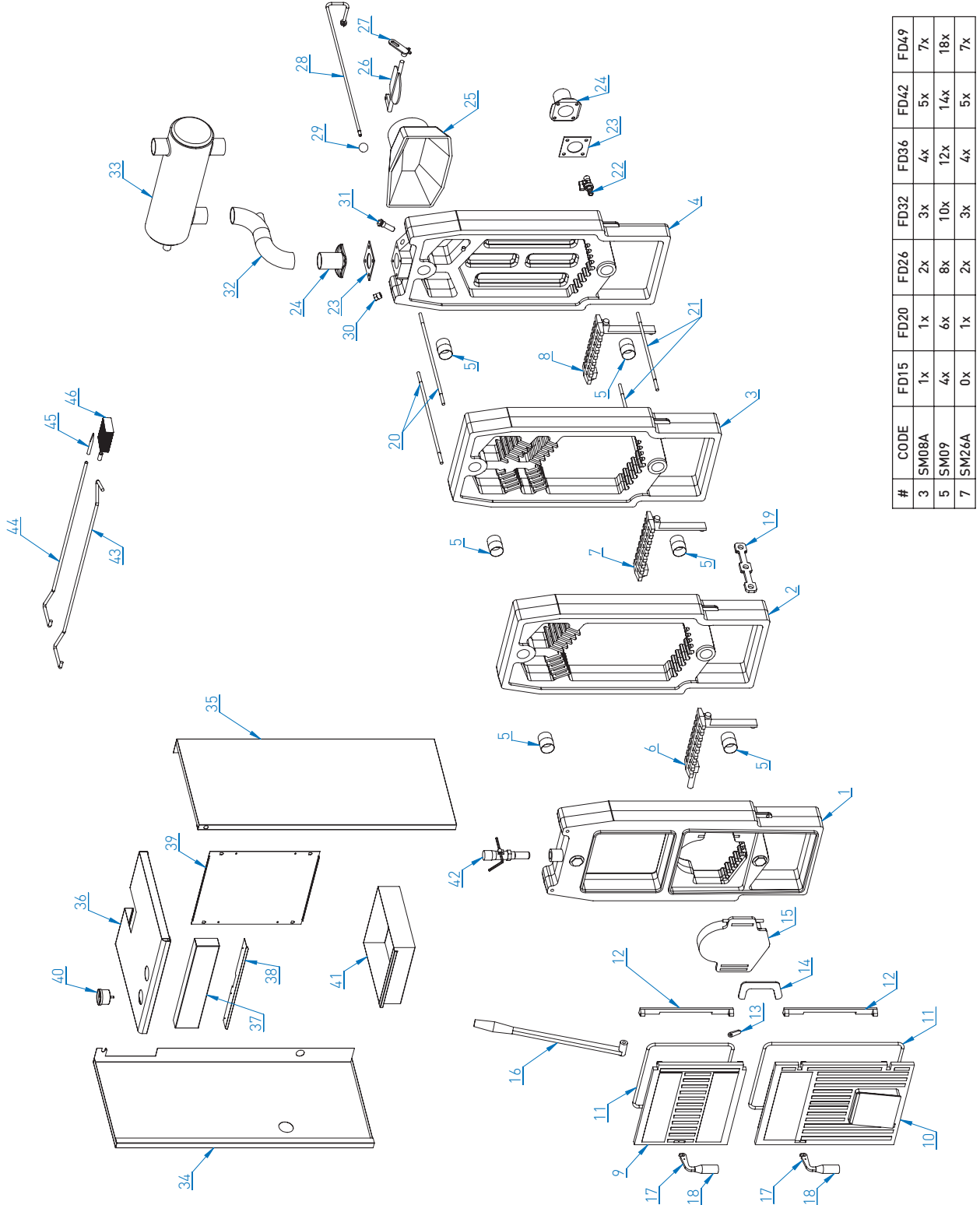
<i>ATTACK FD, FD AUTOMAT</i> .....	2
<i>ATTACK PELLET BURNER AUTOMATIC, BIOHEAT, PEL, PED, PV150</i> .....	5
<i>ATTACK DP STANDARD, PROFI</i> .....	11
<i>ATTACK DPX STANDARD, PROFI, LAMBDA, COMBI PELLET</i> .....	18
<i>ATTACK SLX PROFI, LAMBDA TOUCH</i> .....	24
<i>ATTACK PELLET 30 AUTOMATIC PLUS</i> .....	40
<i>ATTACK WOOD&amp;PELLET</i> .....	42
<i>ATTACK KZT, KST, KT, KT Small, COMPACT Plus,</i> .....	46
<i>ATTACK EZ COMBI, EKO, PLQ, KLV, KLQ, E COMBI</i> .....	52
<i>ATTACK RZK</i> .....	56
<i>ATTACK ELECTRIC EXCELLENT, ELECTRIC EASY</i> .....	59
<i>ATTACK PZO, ATTACK 100Z PLUS</i> .....	62

2016



WWW.ATTACK.SK

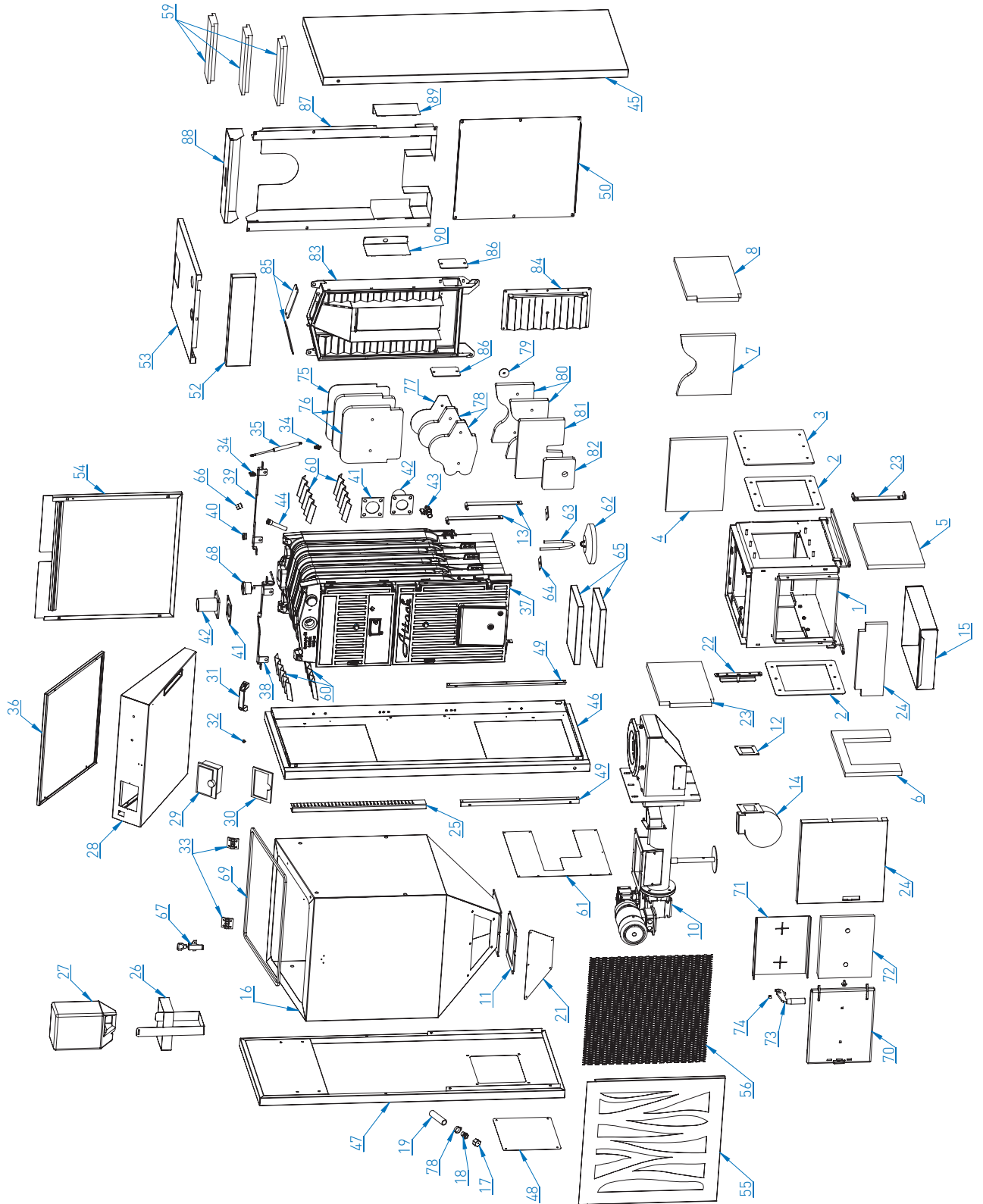
#	CODE	TYPE	#	CODE	TYPE
1	SM08		29	DPD25021	
2	SM08B	FD20-49	30	OT11	
3	SM08A		31	SM28	
4	SM08C		32	UK01F	
5	SM09		33	UK01E	
6	SM26	FD20-49	34	SM07A2	FD15
7	SM26A	FD20-49			FD20
8	SM26B	FD20-49			FD26
9	SM17				FD32
10	SM22				FD36
11	SM23				FD42
12	SM12				FD49
13	SM25				FD15
14	SM24				FD20
15	SM14				FD26
16	SM27	FD20-49			FD32
17	SM15		35	SM07A1	FD36
18	SM16				FD42
19	SM01D	FD20			FD49
	SM02D	FD26			FD15
	SM03D	FD32			FD20
	SM04D	FD36			FD26
	SM05D	FD42			FD32
	SM06D	FD49	36	SM07A5	FD36
20	SM07B	FD15			FD42
	SM01B	FD20			FD49
	SM02B	FD26			SM01A4
	SM03B	FD32			SM01A6
	SM04B	FD36			SM01A3
	SM05B	FD42			TS099A
	SM06B	FD49	37	SM01A4	FD15
21	SM07C	FD15	38	SM01A6	FD20
	SM01C	FD20	39	SM01A3	FD26
	SM02C	FD26	40	TS099A	FD32
	SM03C	FD32	41	SM07A7	FD15
	SM04C	FD36			FD20
	SM05C	FD42			FD26
	SM06C	FD49			FD32
22	TS103				FD36
23	UK01T				SM03A7
24	UK15				SM05A7
25	SM18		42	OT48	FD42
26	SM13		43	SM40	FD49
27	SM19		44	SM41	
28	SM20F	FD15	45	SM42	
	SM20	FD20	46	SM45	
	SM20A	FD26			



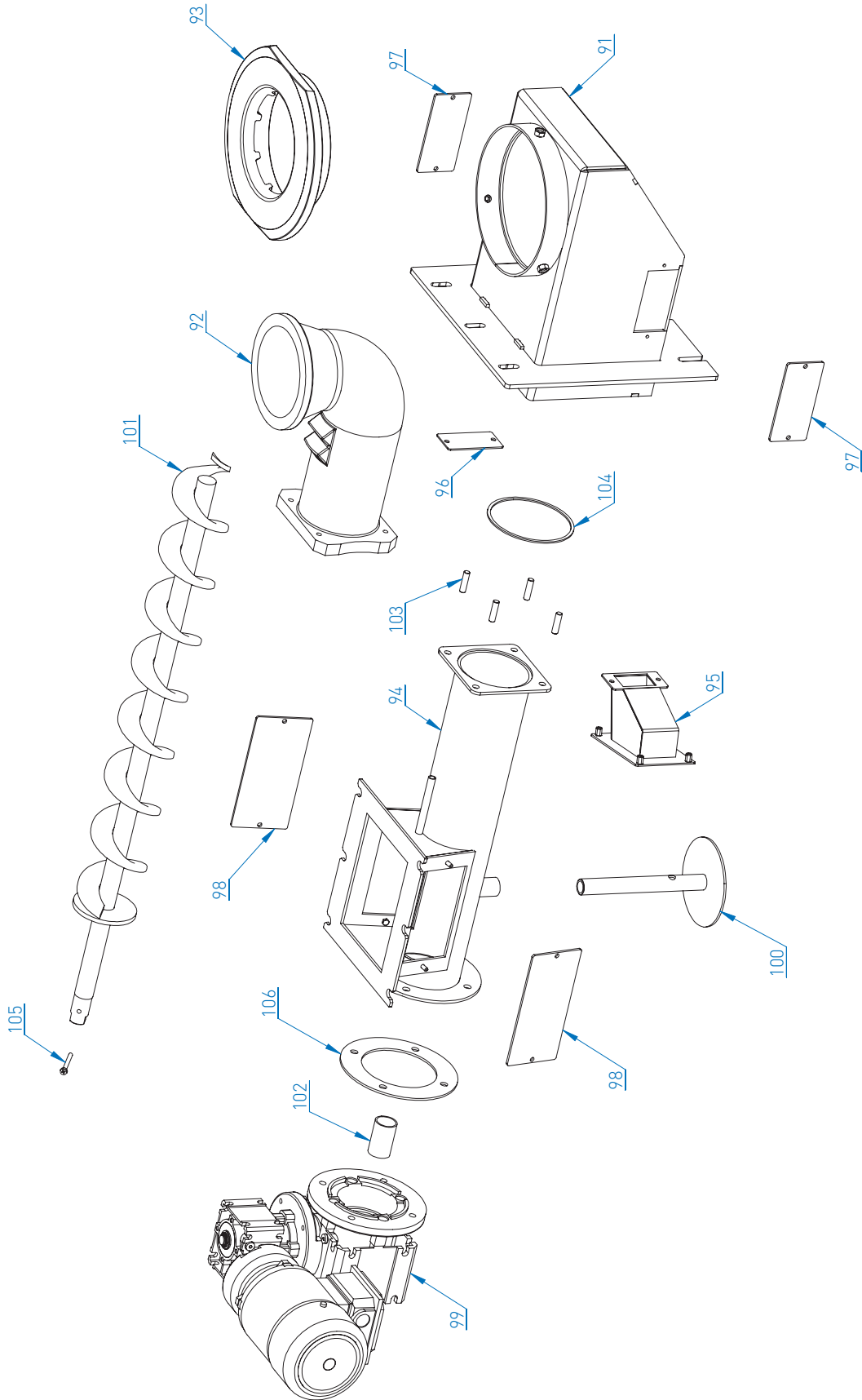
#	CODE	FD15	FD20	FD26	FD32	FD36	FD42	FD49
3	SM08A	1x	1x	2x	3x	4x	5x	7x
5	SM09	4x	6x	8x	10x	12x	14x	18x
7	SM26A	0x	1x	2x	3x	4x	5x	7x

#	CODE	#	CODE
1	FDA900B	41	UK01T
2	FDA032	42	UK15
3	FDA064A	43	TS103
4	FDA110	44	DPD25011
5	FDA111	45	FDA020
6	FDA112	46	FDA019
7	FDA113	47	FDA901
8	FDA114	48	FDA034
9	FDA115	49	FDA031
10	FDA930	50	FDA029
11	FDA067	52	FDA040
12	FDA086	53	FDA025
13	FDA109	54	FDA913
14	FDA101	55	FDA903A
15	SM02A7	56	FDA026
16	FDA911B	59	FDA100
17	FDA950	60	FDA080
18	FDA207	61	FDA131
19	FDA208	62	FDA311
20	FDA209	63	FDA168
21	FDA033A	64	FDA130
22	FDA906	65	PEL0140A
23	FDA018	66	OT11
24	FDA907	67	FDA107
25	RE221	68	TS099A
26	FDA119	69	FDA082A
27	FDA210	70	FDA909
28	FDA915A	71	FDA077
29	FDA300A	72	FDA078
29	FDA300B	73	ADF25807
29	FDA300C	74	ADF25223
29	FDA300D	75	FDA320A
29	FDA300E	76	FDA325
29	FDA300F	77	FDA322
29	FDA300G	78	FDA326
29	FDA300H	79	FDA321
29	FDA300I	80	FDA327
30	FDA301	81	FDA063
31	FDA304	82	FDA328
32	FDA203	83	FDA933
33	ADF25957	84	FDA935
34	FDA125	85	FDA409
35	FDA400	86	FDA422
36	FDA090	87	FDA425
37	SM02X	88	FDA426
38	FDA021	89	FDA427
39	FDA022	90	FDA428
40	FDA200		

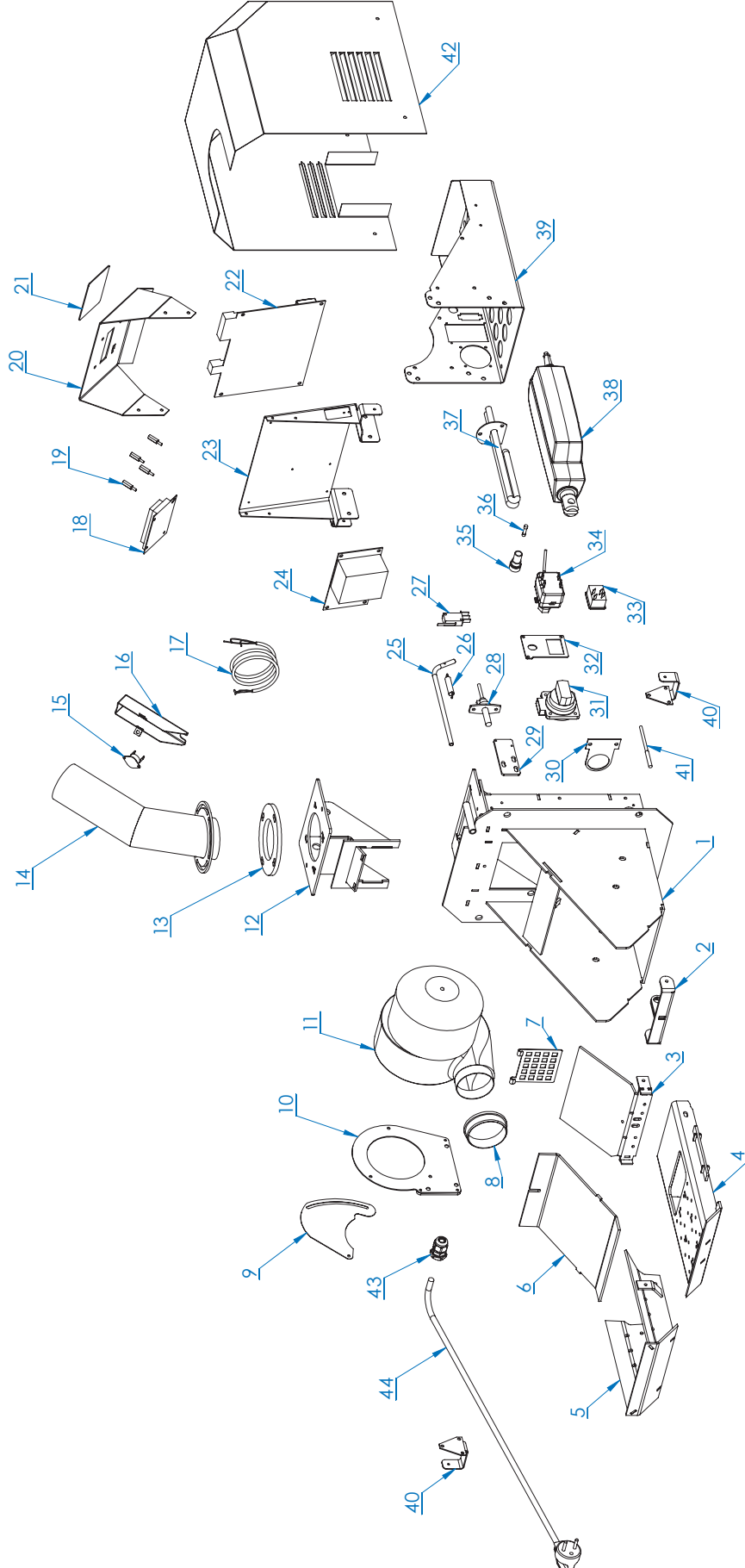
1/2



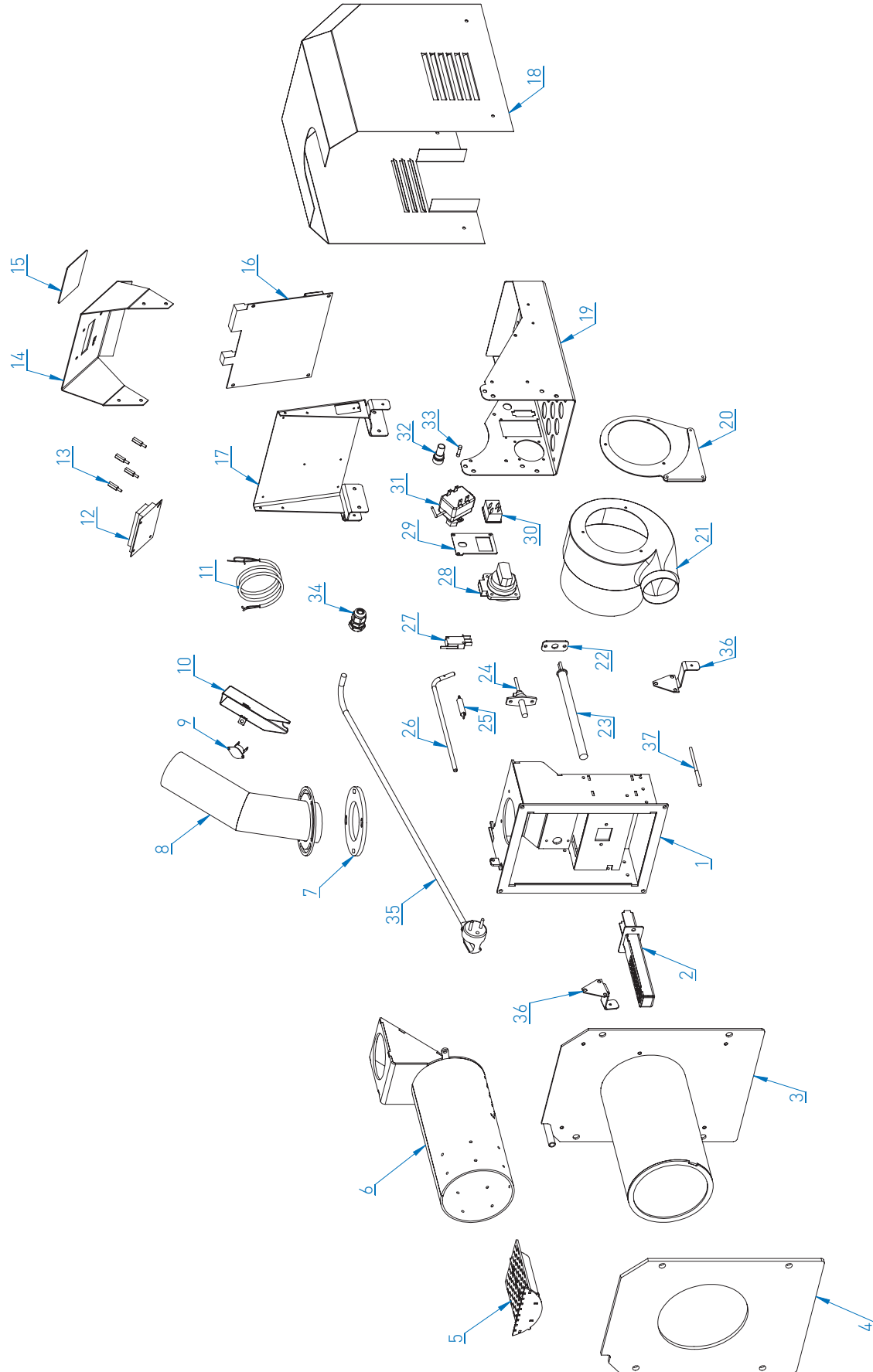
#	CODE
91	FDA920
92	FDA133
93	FDA132
94	FDA922A
95	FDA923
96	FDA156
97	FDA157
98	FDA158
99	FDA310
100	FDA924
101	FDA925
102	FDA161
103	SP221
104	FDA167
105	SP63
106	FDA172



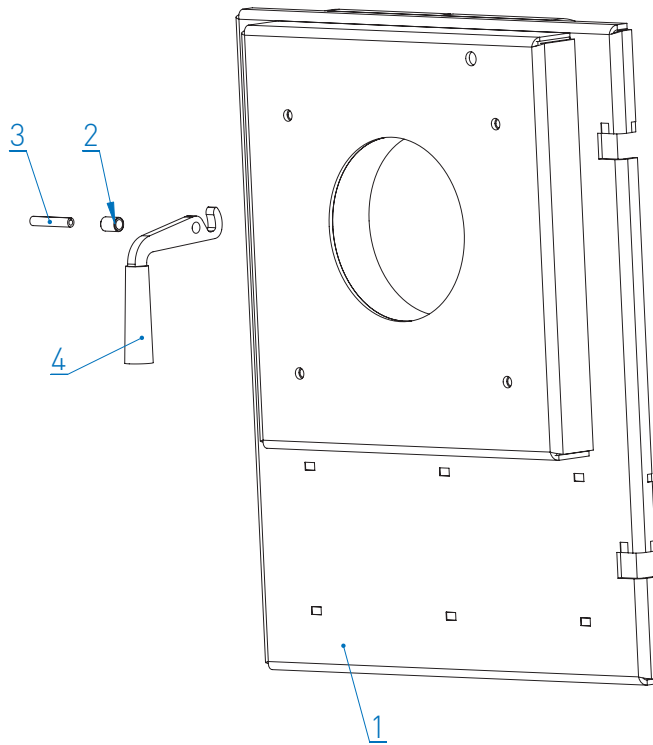
#	CODE
1	PELH30900A
2	H30921C
3	H30930A
4	H30920B
5	H30940A
6	H30001
7	H30009A
8	PR15
9	H30012A
10	H30952
11	H30982
12	H30961B
13	PELH30851
14	PELH30800A
15	TS215
16	PELH30807B
17	H30016E
18	H30809
19	H30820
20	H30970A
21	H30808
22	H30806B
23	H30951B
24	H30807
25	H30118C
26	H30014
27	H30804
28	H30803
29	H30003A
30	H30002
31	TH31
32	PELH30842
33	TH23A
34	OT19C
35	TH05A
36	TH06B
37	H30980
38	ADF25640
39	PELH30830A
40	H30008
41	H30813A
42	H30701C
43	TS094A
44	TS091



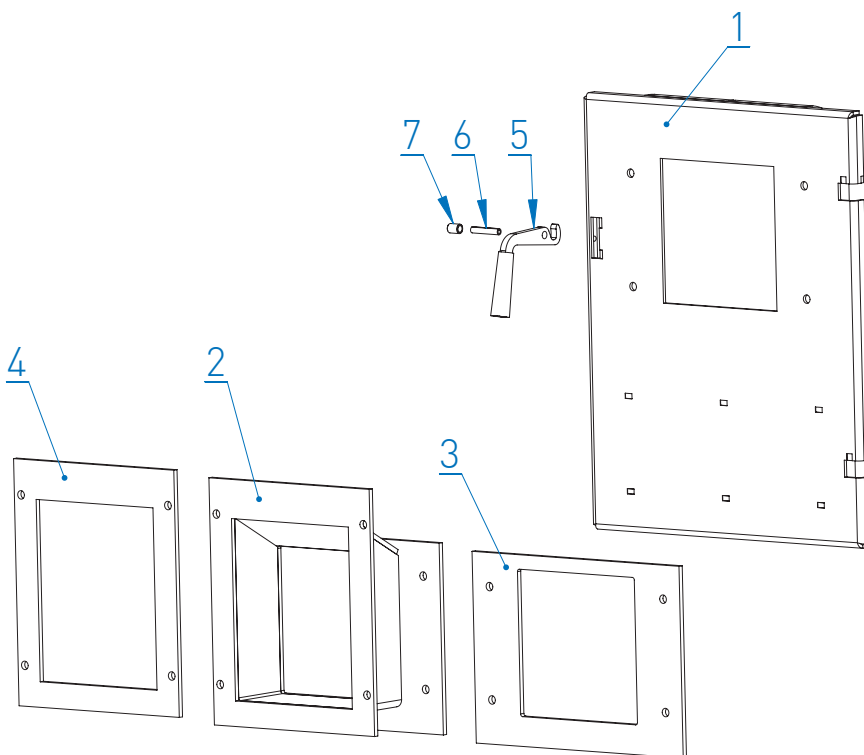
#	CODE
1	PELH30710
2	PELH30711
3	PELH30620
4	PEL30680
5	PELH30903A
6	PELH30610A
7	PELH30851
8	PELH30800A
9	TS215
10	PELH30807B
11	H30016D
12	H30809
13	H30820
14	H30970A
15	H30808
16	H30806B
17	H30951B
18	H30701C
19	PELH30830A
20	PELH30630
21	H30984
22	PELH30664
23	H30980A
24	H30803
25	H30014
26	PELH30678
27	H30804
28	TH31
29	PELH30842
30	TH23A
31	OT19C
32	TH05A
33	TH06B
34	TS094A
35	TS091
36	PEL30615
37	H30813A



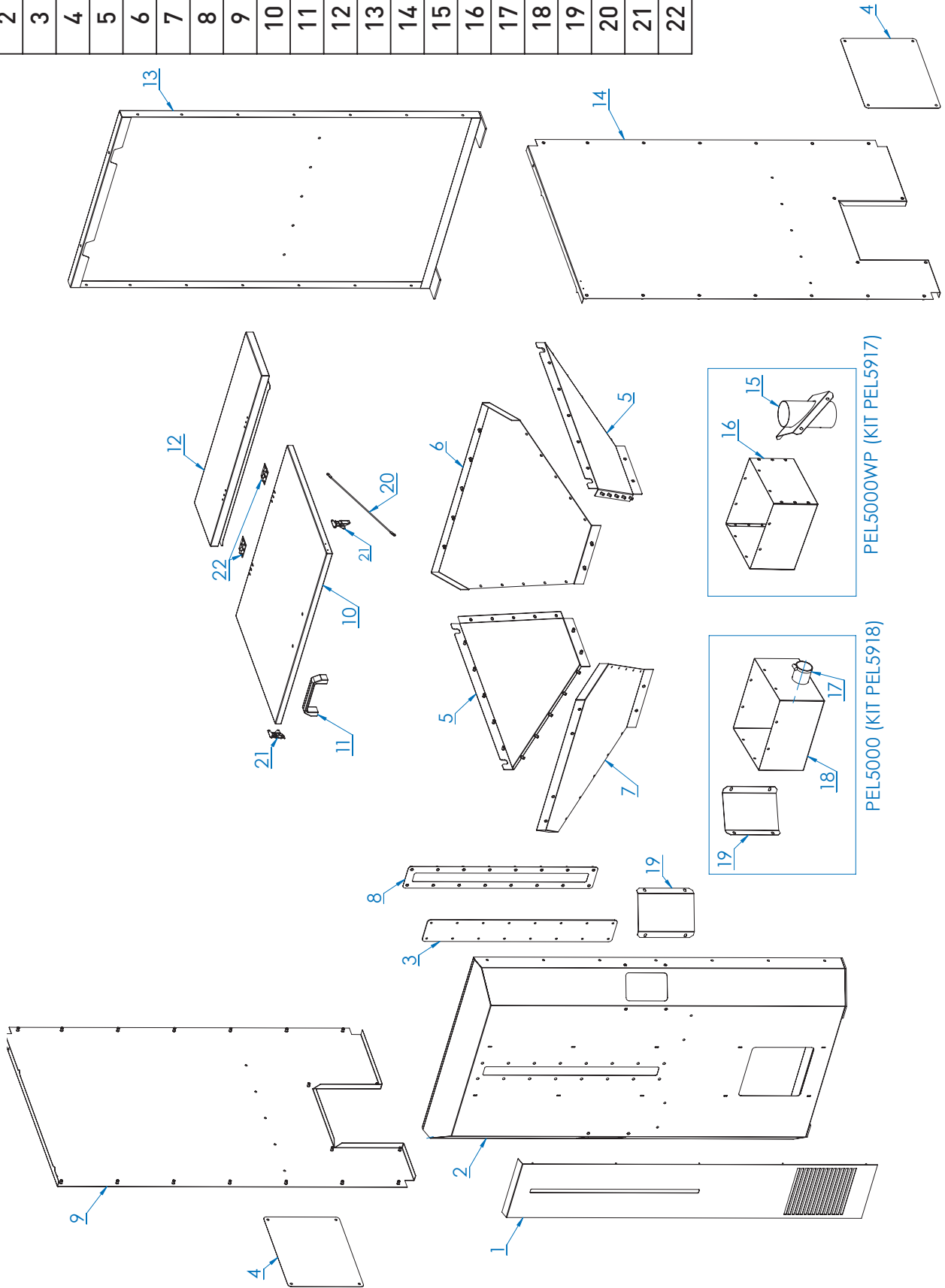
#	CODE
1	PELH30997
2	PELH30970
3	SP176
4	SM15



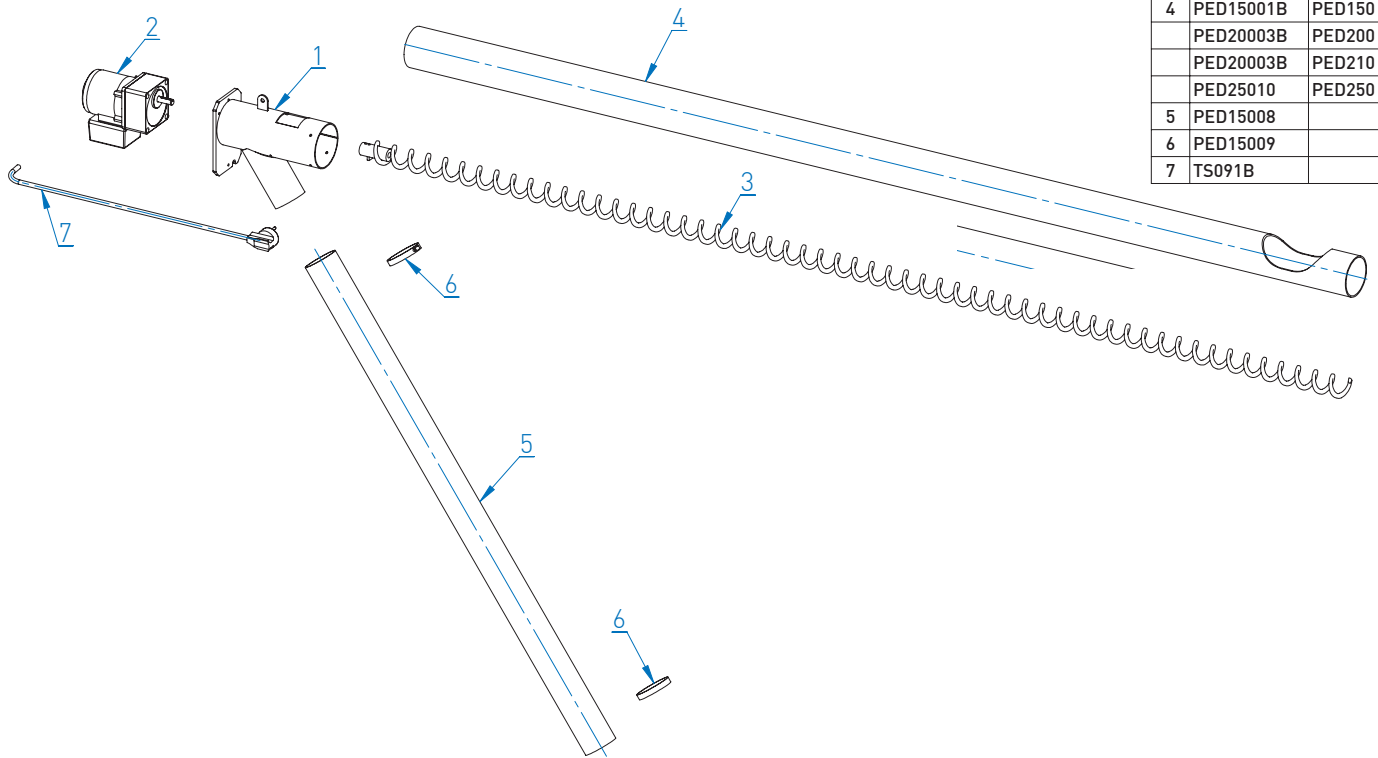
#	CODE
1	PELH30980
2	PELH30990
3	PELH30995
4	PELH30996
5	SM15
6	SP176
7	PELH30970



#	CODE
1	PEL5914A
2	PEL5901B
3	PEL5032
4	PEL5014
5	PEL5902A
6	PEL5907
7	PEL5909
8	PEL5906
9	PEL5903A
10	PEL5913A
11	PEL801
12	PEL5915A
13	PEL5908A
14	PEL5905A
15	PEL9717
16	PEL5916
17	ADF25618
18	PEL5911
19	PEL5028
20	PEL5919
21	PEL802
22	SS01

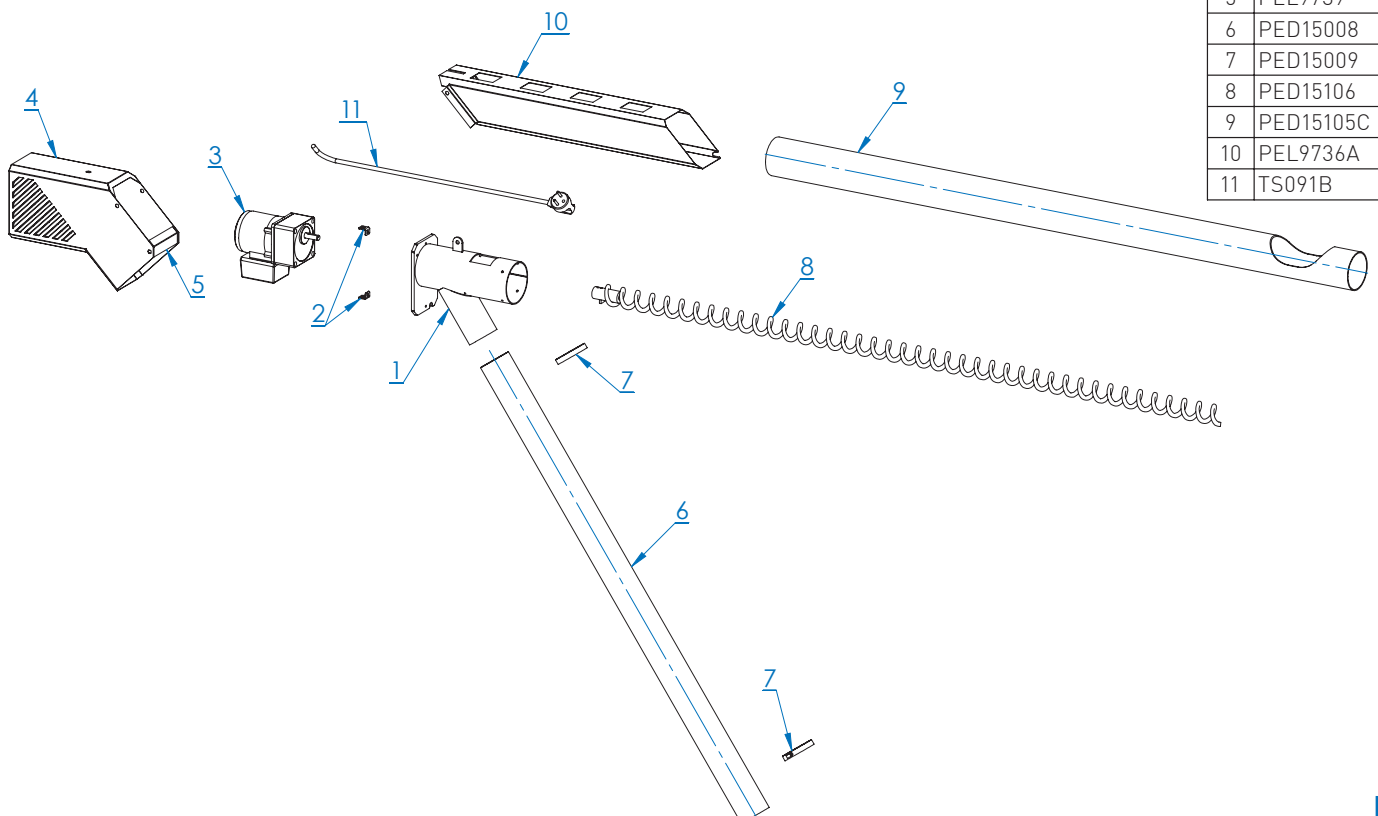


#	CODE	TYPE
1	PED15905	
2	PEL937	
3	PED15902B	PED150
	PED20001	PED200
	PED20902A	PED210
	PED25901	PED250
4	PED15001B	PED150
	PED20003B	PED200
	PED20003B	PED210
	PED25010	PED250
5	PED15008	
6	PED15009	
7	TS091B	

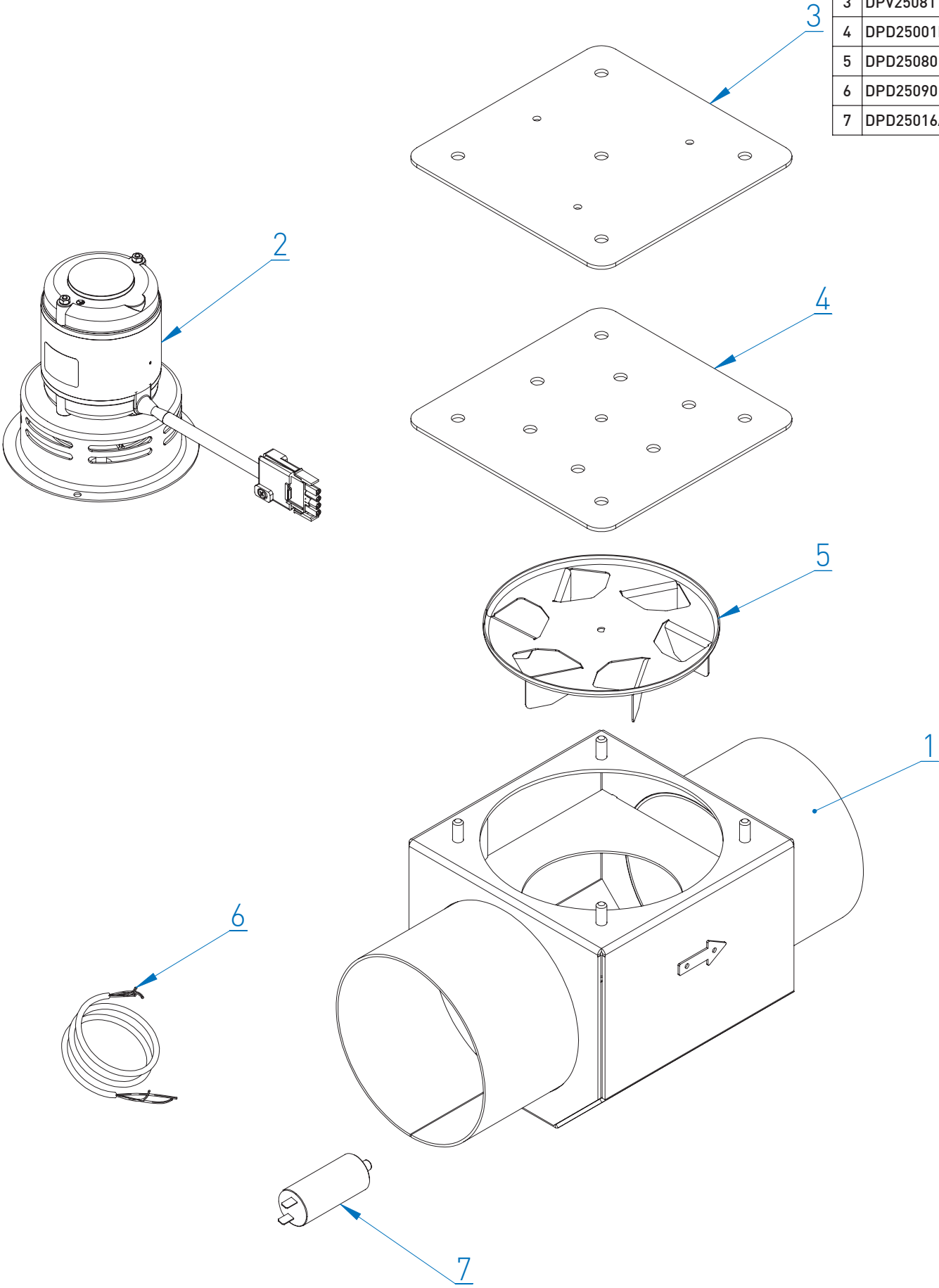


# ATTACK PED150A

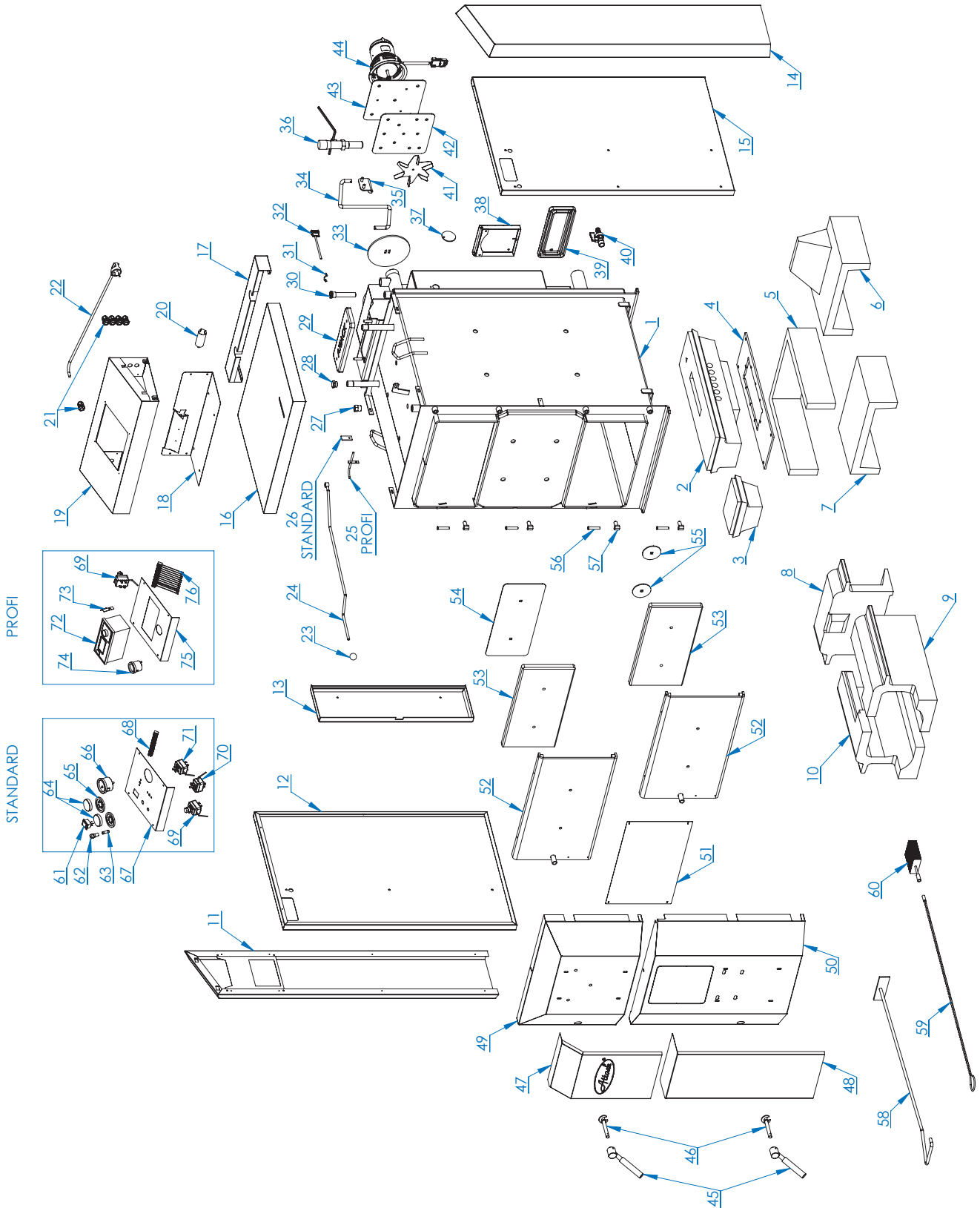
#	CODE
1	PED15905
2	PED15102A
3	PEL937
4	PEL9733
5	PEL9739
6	PED15008
7	PED15009
8	PED15106
9	PED15105C
10	PEL9736A
11	TS091B



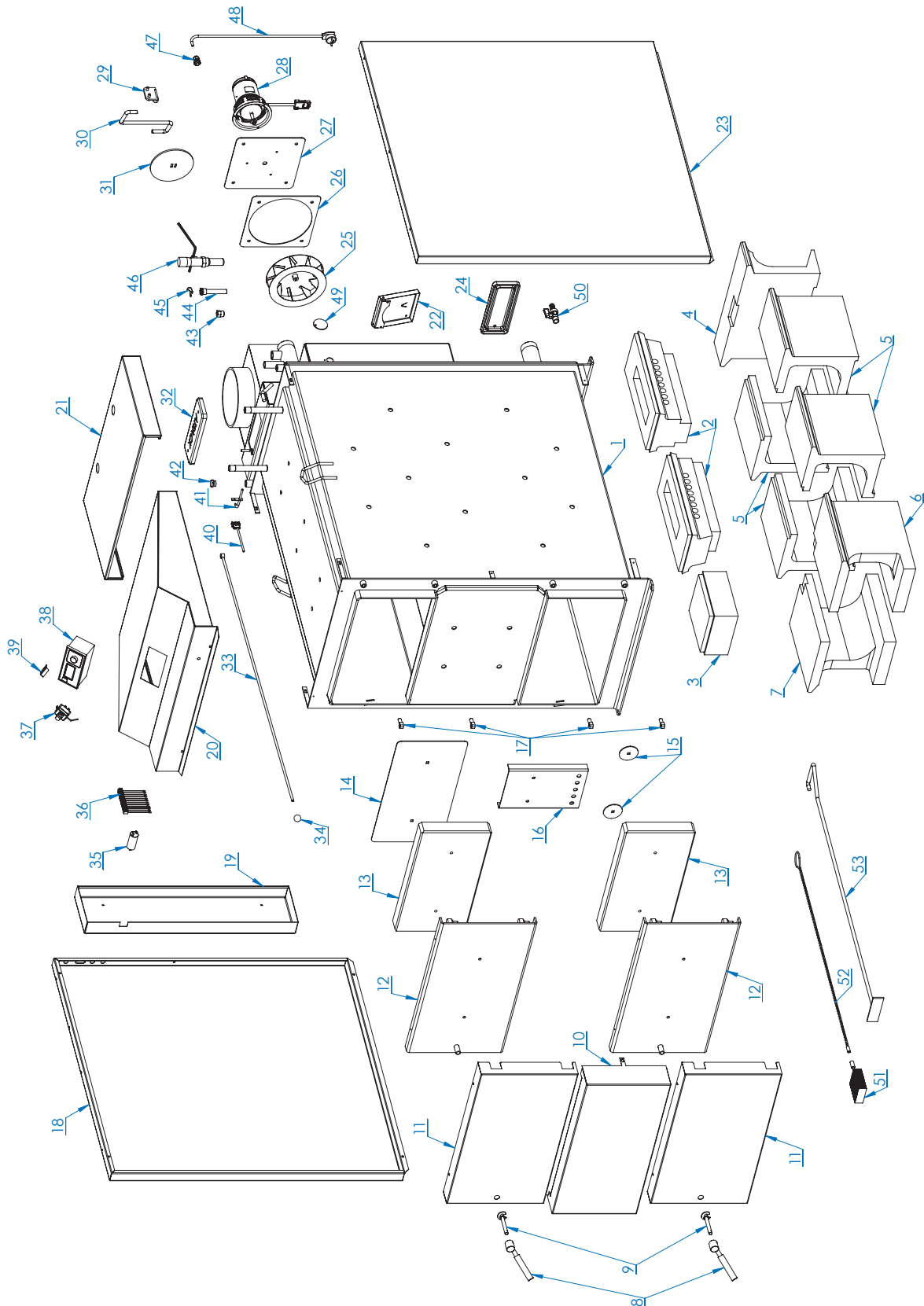
#	CODE
1	DPD25903A
2	DPD25016D
3	DPV25081
4	DPD25001B
5	DPD25080
6	DPD25090
7	DPD25016A



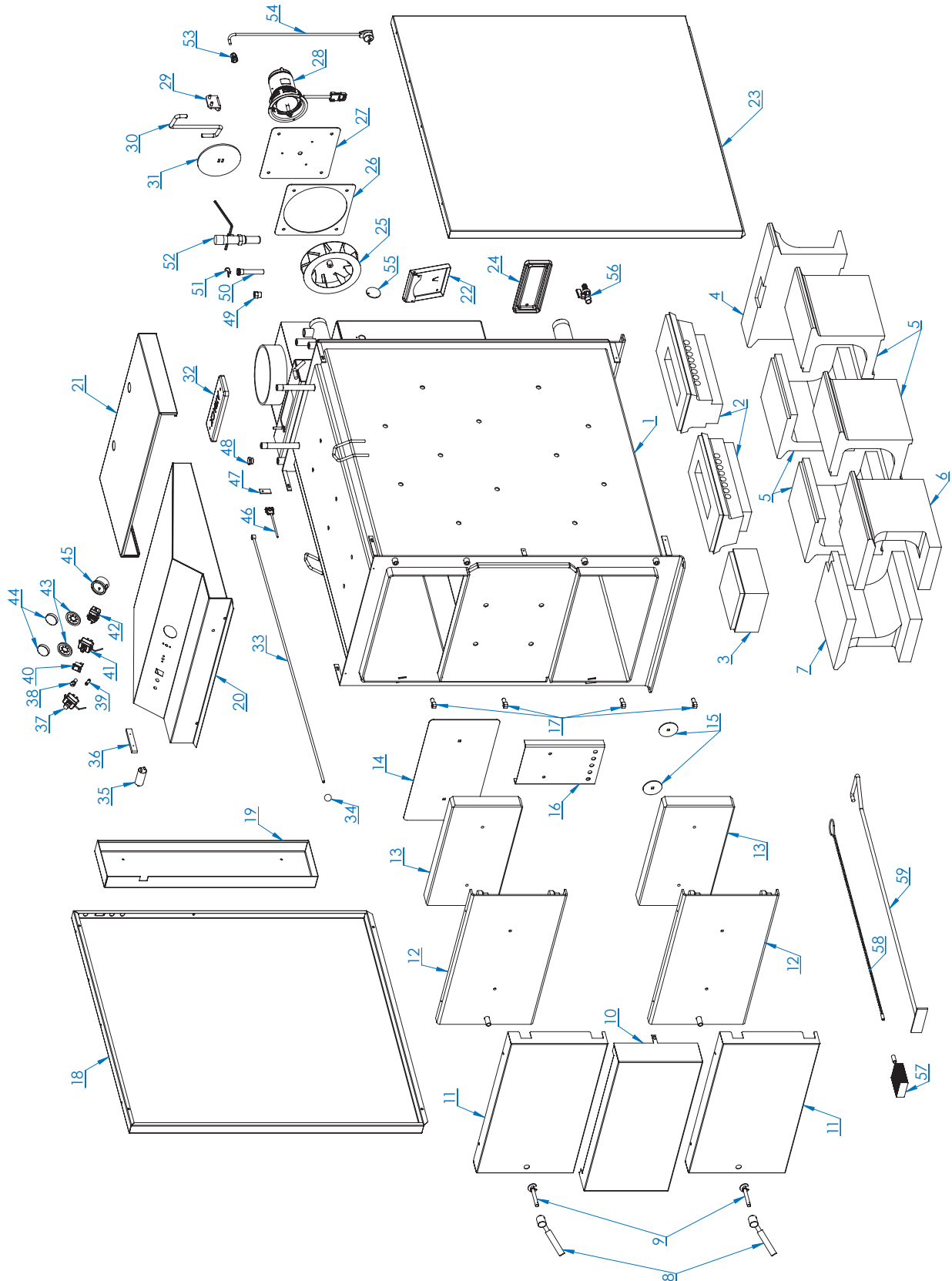
#	CODE	#	CODE
1	DP25400	30	DPD25011
	DP35400	31	TS106
	DP45400	32	DPD25110
	DP45400	33	DPD45110
2	DPT25004	34	DPV25089B
	DPT35005	35	DPV25074D
	DPT45004	36	DPV25530
3	DPT35004	37	OT39C
4	DPV25382D	38	DPV25041
	DPV35382D	39	DPA25900
	DPV45382D	40	DPV25102A
5	PPP25002	41	TS103
6	PPP25010	42	DPD25020
7	PPP25011	43	DPD25018
	PPP35011	44	DPV25081
	PPP45011	45	DPD25016D
8	PPP25104	46	DPD45001D
	PPP35105	47	DPD25420B
	PPP25106	48	DPD25430
	PPP35104	49	DPA25909
	DPA45104	50	DPA25912
10	PPP25105	51	DPA25901
	PPP35103	52	DPA25902
	PPP45103	53	DPA25044
11	DPA15901	54	DPA25077
	DPA15901	55	DPV25095A
12	DPA25007	56	DPD25030
	DPA35007	57	DPV25108
	DPV45007	58	DPV95086
13	DPV25080	59	PEL0490
14	DPA15902	60	SM45
15	DPA25006	61	STANDARD
	DPA35006	62	TH05A
	DPA45006	63	TH06
16	DPA25009	64	DPD25009A
	DPA35009	65	DPD25010
	DPA45009	66	DPD45001A
	DPA45009	67	TS099A
17	DPA25011	68	TS091
18	DPA15025	69	OT19C
19	DPA15022	70	DPD25008A
20	DPD25016A	71	DPD25007B
	DPD45001A	72	DPD25073
21	TS094A	73	DPD25034
22	TS091	74	AT46C
23	DPD25069	75	DPA15015
24	DPV25620	76	DPD15030
25	DPV35620		
	DPV45620		
25	DPD25059		
26	DPD25061		
27	OT11		
28	DPD25029		
29	DPV25102B		



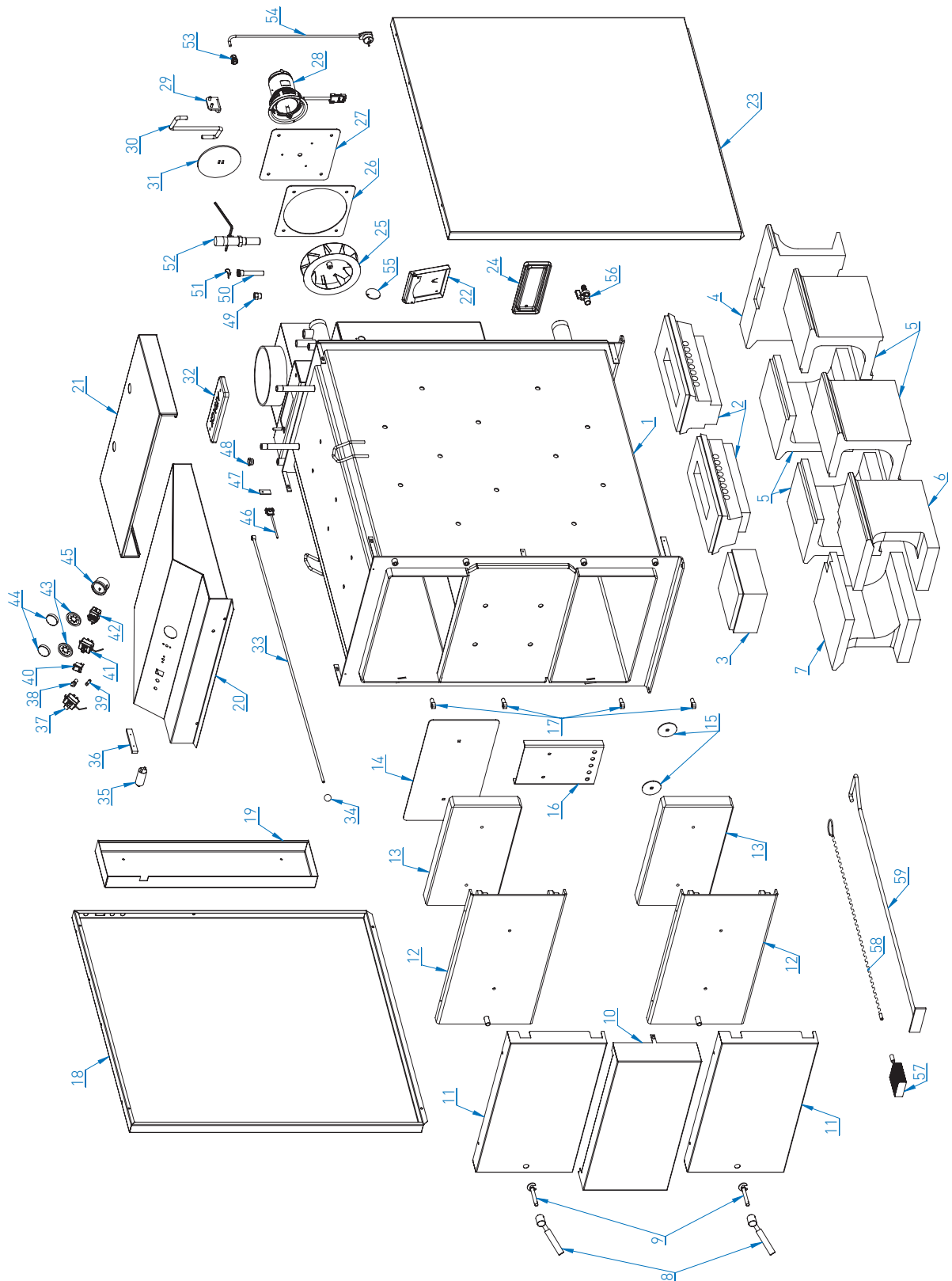
#	CODE	#	CODE
1	DP75003	28	DPD75002E
2	DPT95002A	29	DPV25530
3	DPT95003	30	DPV25074D
4	DPP951088	31	DPV25089B
5	DPP95107B	32	DPV25102B
6	DPP95105B	33	DPV95100
7	DPP95106B	34	DPD25069
8	DPD25420	35	DPD75002B
9	DPD25430	36	DPD15030
10	DP075011	37	OT19C
11	DP075001	38	DPD25073
12	DPV75027	39	DPD25034
13	DPD95002	40	DPD45120
14	DPV75047	41	DPD25059
15	DPV95086	42	DPD25029
16	DPV75031	43	OT11
17	DPV75046	44	DPD25011
18	DP075005A	45	TS106
19	DPV75030	46	OT39C
20	DP075030	47	TS094A
21	DP075009	48	TS091E
22	DPV25101A	49	DPV25041
23	DP075006	50	TS103
24	DPV25102A	51	SM45
25	DPD75003	52	DPC25009
26	DPD75001A	53	DPC75001
27	DPV75015		



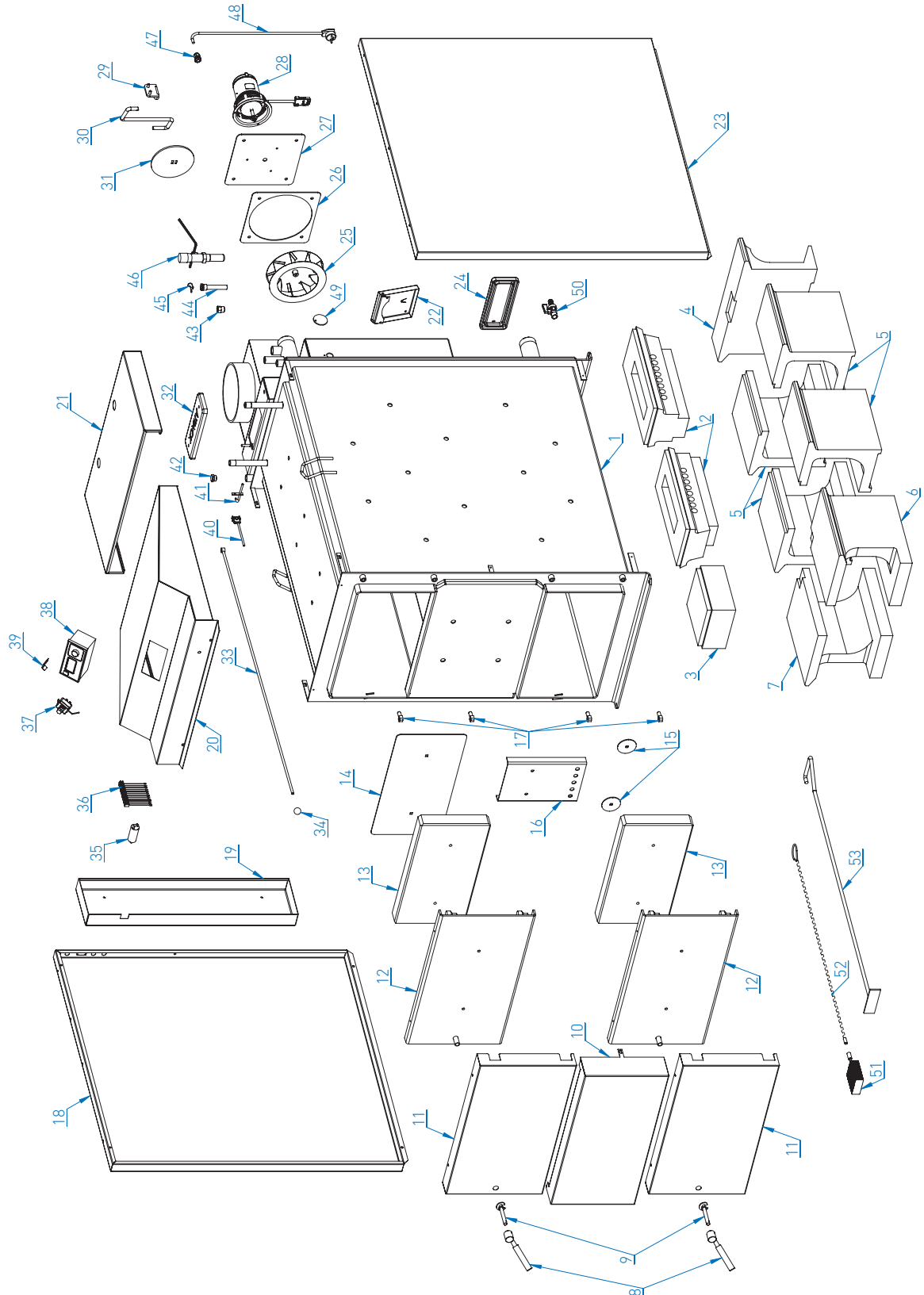
#	CODE	#	CODE
1	DP75003	31	DPV25089B
2	DPT95002A	32	DPV25102B
3	DPT95003	33	DPV95100
4	DPP95108B	34	DPD25069
5	DPP95107B	35	DPD75002B
6	DPP95105B	36	DPD25027
7	DPP95106B	37	OT19C
8	DPD25420	38	TH05A
9	DPD25430	39	TH06
10	DP075011	40	TS095A
11	DP075001	41	DPD25007B
12	DPV75027	42	DPD25008A
13	DPD95002	43	DPD25010
14	DPV75047	44	DPD25009A
15	DPV95086	45	TS099A
16	DPV75031	46	DPD45120
17	DPV75046	47	DPD25061
18	DP075005A	48	DPD25029
19	DPV75030	49	OT11
20	DP075010	50	DPD25011
21	DP075009	51	TS106
22	DPV25101A	52	OT39C
23	DP075006	53	TS094A
24	DPV25102A	54	TS091E
25	DPD75003	55	DPV25041
26	DPD75001A	56	TS103
27	DPV75015	57	SM45
28	DPD75002E	58	DPC25009
29	DPV25530	59	DPC75001
30	DPV25074D		



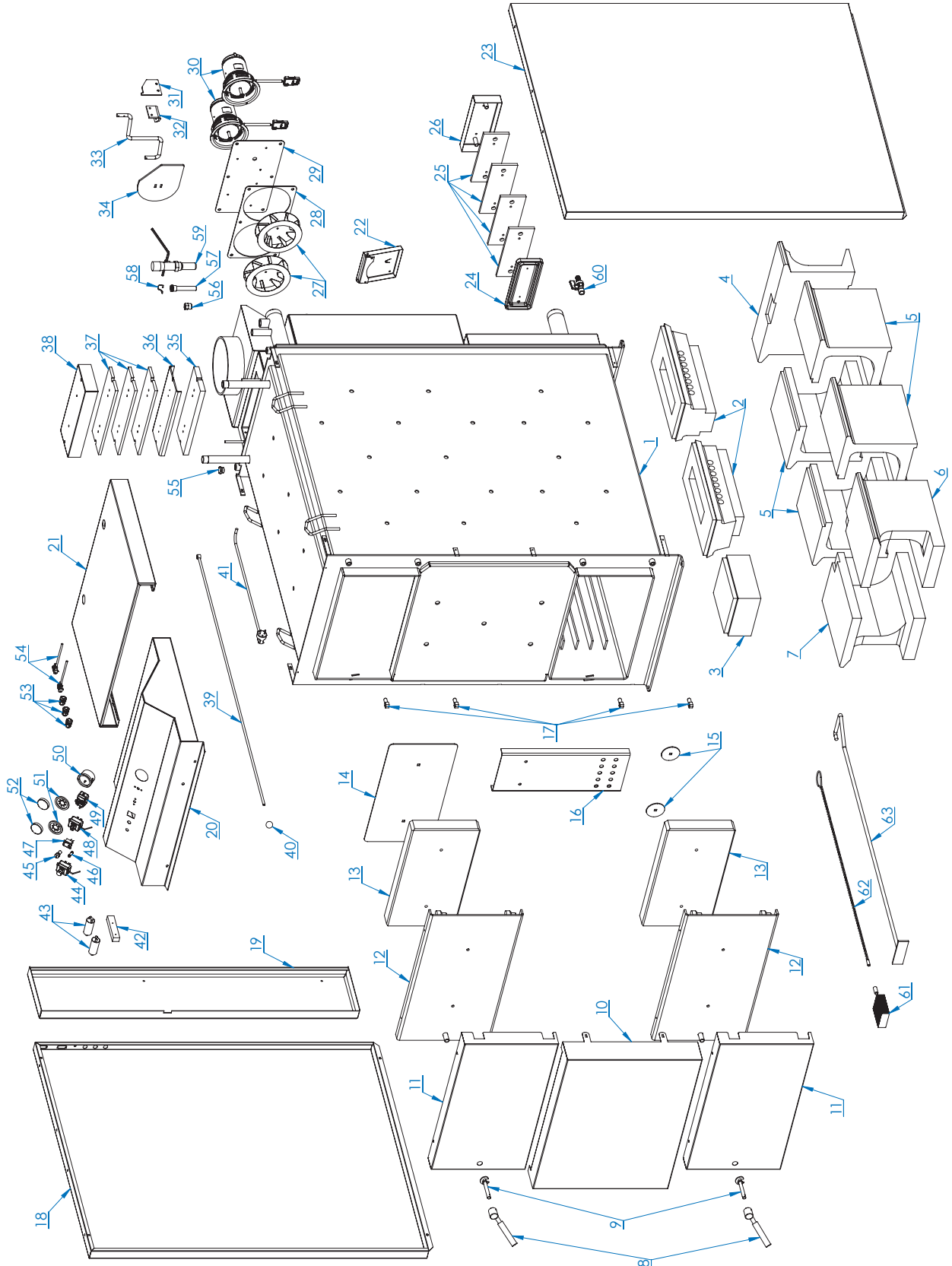
#	CODE	#	CODE
1	DP75003	31	DPV25089B
2	DPT95002A	32	DPV25102B
3	DPT95003	33	DPV95100
4	DPP95108B	34	DPD25069
5	DPP95107B	35	DPD75002B
6	DPP95105B	36	DPD25027
7	DPP95106B	37	OT19C
8	DPD25420B	38	TH05A
9	DPD25430	39	TH06
10	DP075011	40	TS095A
11	DP075001	41	DPD25007B
12	DPV75027	42	DPD25008A
13	DPD95002	43	DPD25010
14	DPV75047	44	DPD25009A
15	DPV95086	45	TS099A
16	DPV75031	46	DPD45120
17	DPV75046	47	DPD25061
18	DP075005A	48	DPD25029
19	DPV75030	49	OT11
20	DP075010	50	DPD25011
21	DP075009	51	TS106
22	DPV25101A	52	OT39C
23	DP075006	53	TS094A
24	DPV25102A	54	TS091E
25	DPD75003	55	DPV25041
26	DPD75001A	56	TS103
27	DPV75015	57	SM45
28	DPD75002E	58	DPC25009
29	DPV25530	59	DPC75001
30	DPV25074D		



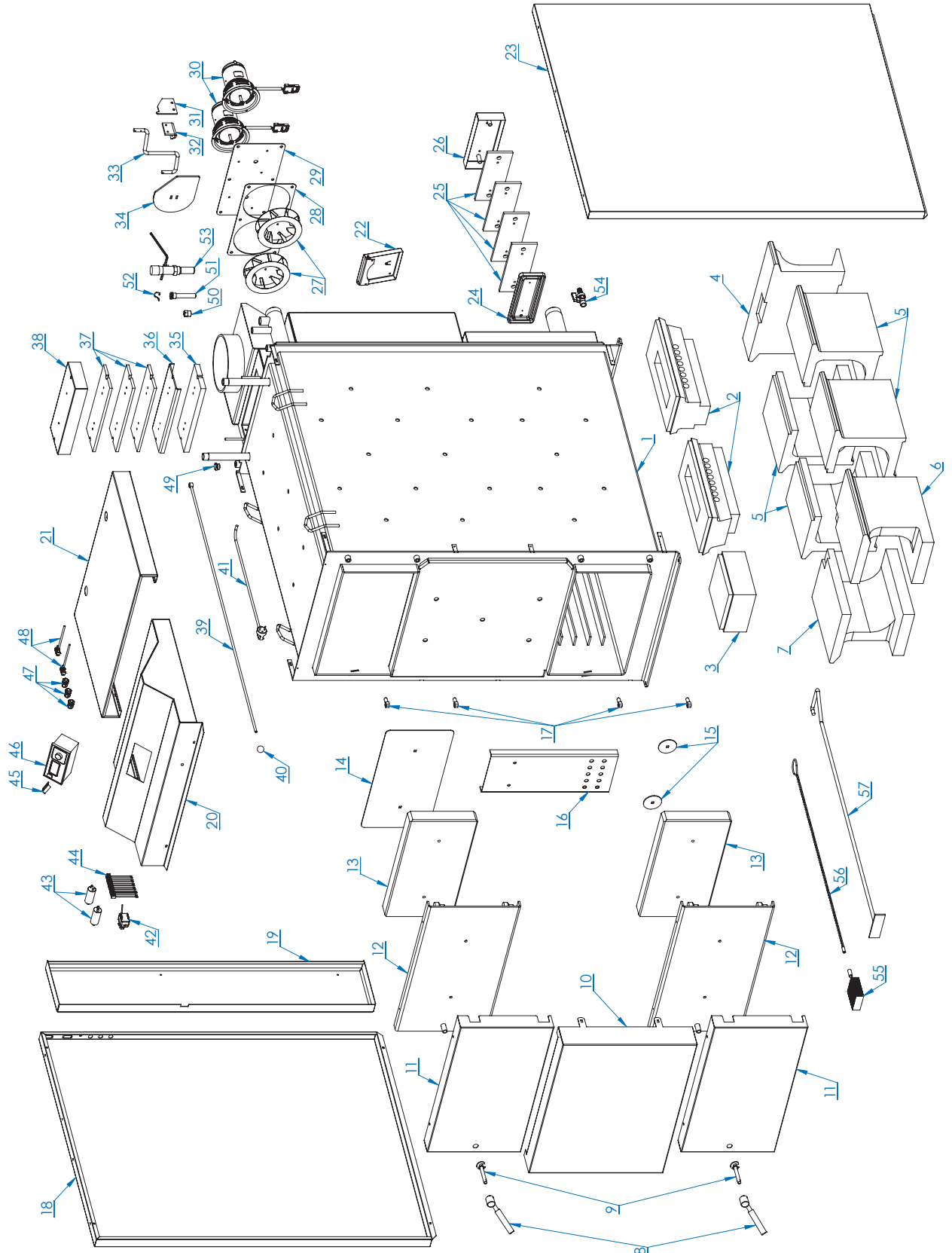
#	CODE	#	CODE
1	DPV5003	29	DPV25530
2	DPT95002A	30	DPV25074D
3	DPT95003	31	DPV25089B
4	DPP95108B	32	DPV25102B
5	DPP95107B	33	DPV95100
6	DPP95105B	34	DPD25069
7	DPP95106B	35	DPD75002B
8	DPD25420B	36	DPD15030
9	DPD25430	37	OT19C
10	DP075011	38	DPD25073
11	DP075001	39	6/2014 -
12	DPV75027	40	DPD25034
13	DPD95002	41	DPD45120
14	DPV75047	42	DPD25059
15	DPV95086	43	OT11
16	DPV75031	44	DPD25011
17	DPV75046	45	TS106
18	DP075005A	46	OT39C
19	DPV75030	47	TS094A
20	DP075008	48	TS091E
21	DP075009	49	DPV25041
22	DPV25101A	50	TS103
23	DP075006	51	SM45
24	DPV25102A	52	DPC25009
25	DPD75003	53	DPC75001
26	DPD75001A		
27	DPV75015		
28	DPD75002E		

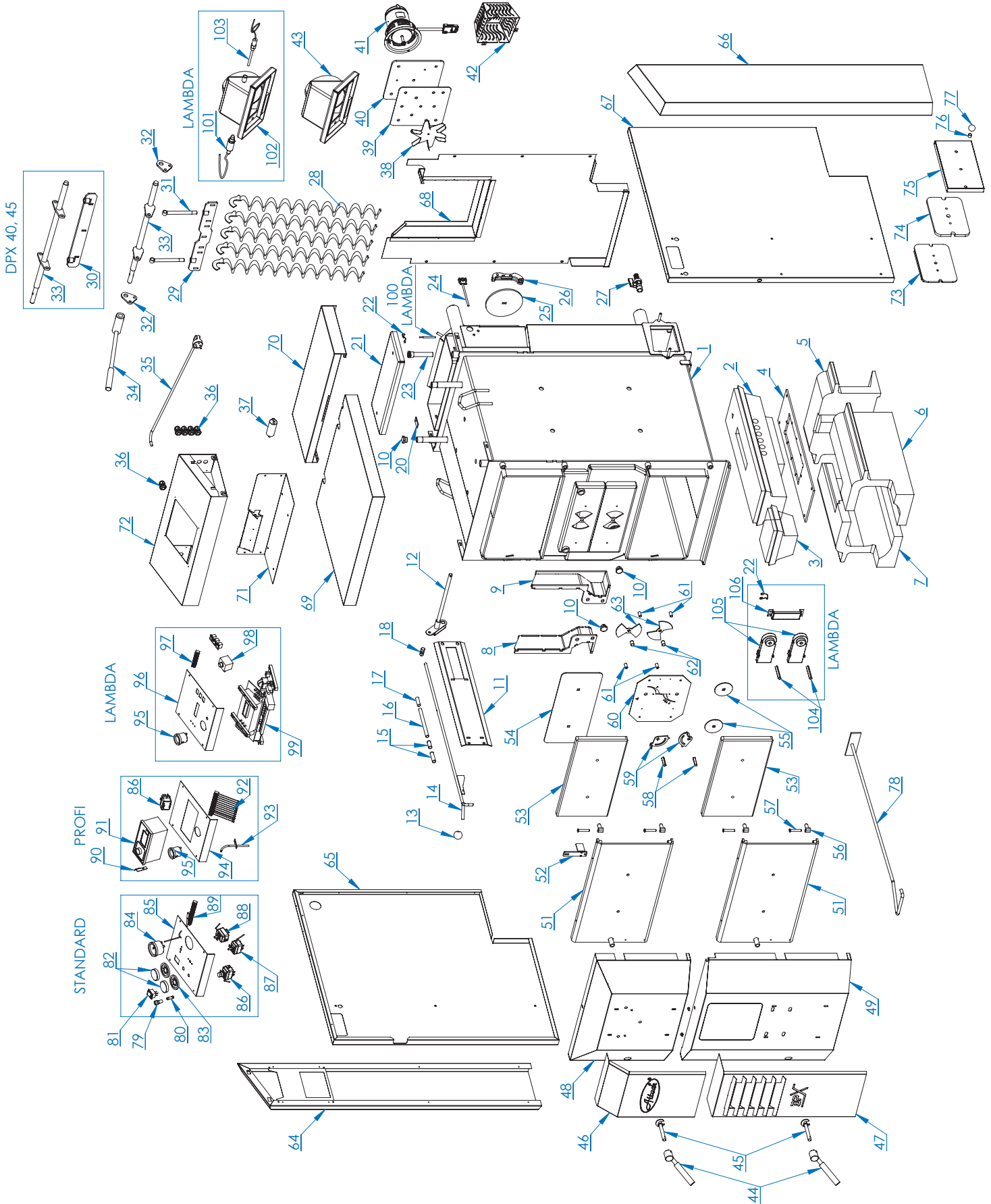


#	CODE	#	CODE
1	DP95003	33	DPV95047A
2	DP195002A	34	DPV95083A
3	DP195003	35	DPV95088
4	DP95108B	36	DPV95087
5	DP95107B	37	DPV95089
6	DP95105B	38	DPO95010A
7	DP95106B	39	DPV95100
8	DPD25420	40	DPD25069
9	DPD25430	41	TS091E
10	DP095014	42	DPD95003
11	DP075001	43	DPD45003
12	DPV75027	44	OT19C
13	DPD95002	45	TH05A
14	DPV75047	46	TH06
15	DPV95086	47	TS095A
16	DPV95011	48	DPD25007B
17	DPV75046	49	DPD25008A
18	DPO95017	50	TS099A
19	DPV95037	51	DPD25010
20	DPO95030	52	DPD25009A
21	DPO95015	53	TS094A
22	DPV25101A	54	DPD45120
23	DPO95001	55	DPD25029
24	DPV95085	56	OT11
25	DPD95010	57	DPD25011
26	DPO95010	58	TS106
27	DPD95909A	59	OT39C
28	DPD95001A	60	TS103
29	DPV95025	61	SM45
30	DPD45001D	62	DPC25009
31	DPV95104	63	DPC75001
32	DPV95201		



#	CODE	#	CODE
1	DP95003	30	DPD45001D
2	DPT95002A	31	DPV95104
3	DPT95003	32	DPV95201
4	DPP95108B	33	DPV95047A
5	DPP95107B	34	DPV95083A
6	DPP95105B	35	DPV95088
7	DPP95106B	36	DPV95087
8	DPD25420	37	DPV95089
9	DPD25430	38	DPO95010A
10	DPO95014	39	DPV95100
11	DPO75001	40	DPD25069
12	DPV75027	41	TS091E
13	DPD95002	42	OT19C
14	DPV75047	43	DPD45003
15	DPV95086	44	DPD15030
16	DPV95011	45	DPD25034
17	DPV75046	46	DPD25073
18	DPO95017	47	TS094A
19	DPV95037	48	DPD45120
20	DPO95030	49	DPD25029
21	DPO95015	50	OT11
22	DPV25101A	51	DPD25011
23	DPO95001	52	TS106
24	DPV95085	53	OT39C
25	DPD95010	54	TS103
26	DPO95010	55	SM45
27	DPD95909A	56	DPC25009
28	DPD95001A	57	DPC75001
29	DPV95025		



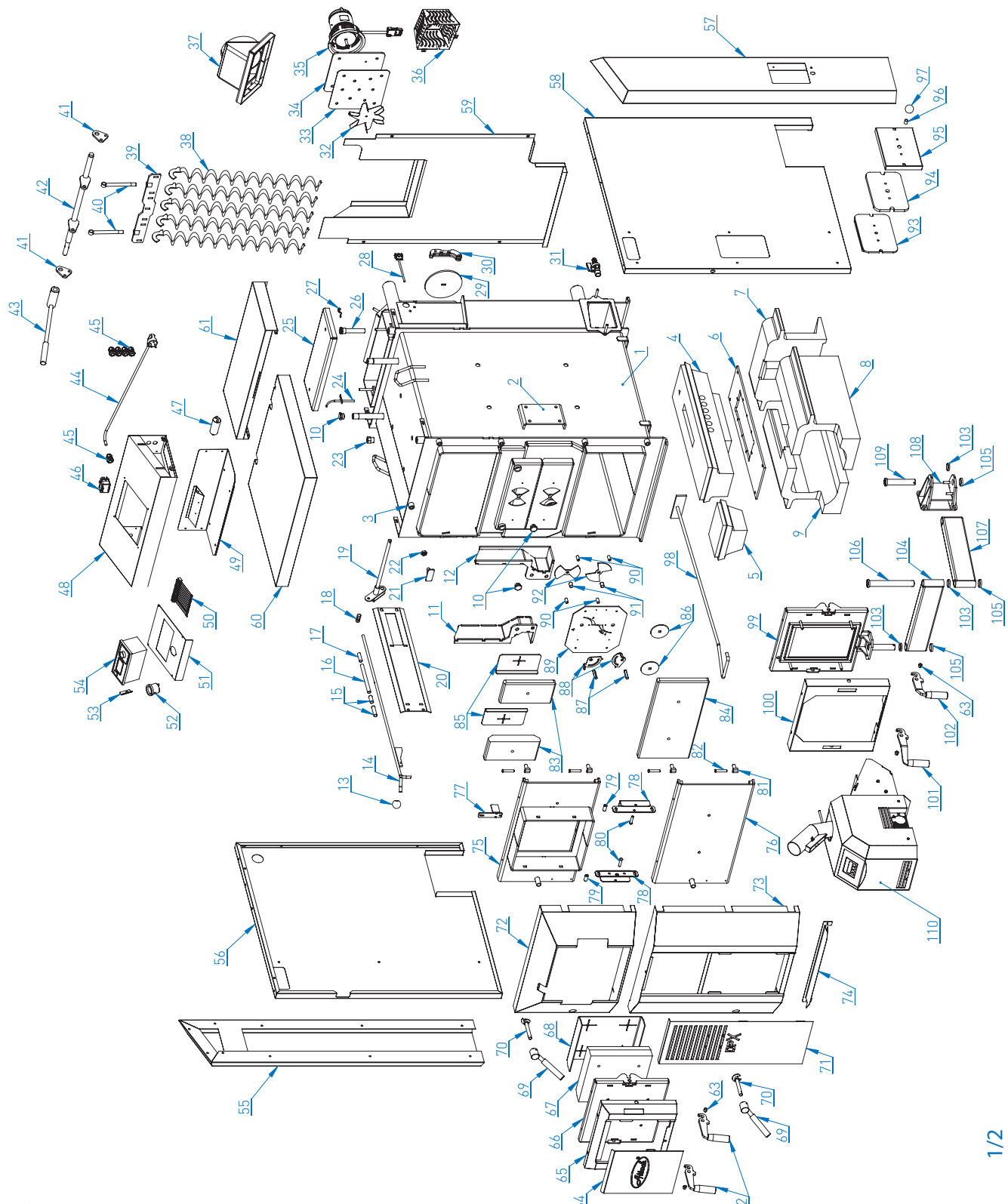


#	CODE	CODE	#	CODE	CODE	#	CODE	CODE	#	CODE	CODE	#	CODE	CODE	#	CODE	CODE	#	CODE	CODE	#	CODE	CODE	
1	DPI15500	DPV25326	15	DPV25326		42	DPD45005		71	DPA15025	STANDARDPROFI													
	DP25500	DPV25331B	16	DPV25331B		43	DPV25921B	30-45		DPA15906	LAMBDA													
	DP25500B*	DPV25327	17	DPV25327		44	DPD25420		72	DPA15022														
	DP35500	DPV25325A	18	DPV25325A		45	DPD25430		73	DPV25500														
	DP45500	OT11	19	OT11		46	DPA25908		74	DPD15008A														
2	DPT15002	DPD25061	20	DPD25061		47	DPA25911		75	DPA15905														
	DPT25004	PEL943	21	PEL943	15-35	48	DPA25901	15-35	76	DPV25504														
	DPT35005	DPV45923	22	DPV45923	40,45	49	DPA25902	40,45	77	DPD25021														
	DPT45004	TS106	23	TS106		51	DPV25095A		78	DPC25005A														
3	DPT35004	DPD25011	24	DPD25011	30-45	52	DPV25371A			STANDARD														
4	DPV15441	DPD25110	25	DPD25110	15	53	DPD25030		79	TH05A														
	DPV25382D	DPV25360	26	DPV25360	25	54	DPV25108		80	TH06														
	DPV35382D	DPV25363B	27	DPV25363B	30,35	55	DPV95086		81	TS095A														
	DPV45382D	TS103	28	TS103	40,45	56	PEL0490		82	DPD25009A														
5	DPP35105	DPV15930D	29	DPV15930D	15,30,35	57	DP025521A	25-45	83	DPD25010														
	DPP25104	DPV15921	30	DPV15921	25,40,45	58	DPV25301	25-45	84	TS099A														
	DPP15104	DPV15923	31	DPV15923	15	59	DPV25329A	40,45	85	DPA15012														
	DPP25106	DPD25065	32	DPD25065	25	60	DPV35711	25-45	86	OT19C														
	DPP35104	DPV45035A	33	DPV45035A	30,35	61	DPV25304	25-45	87	DPD25007B														
	DPP45104	DPV15925	34	DPV15925	40,45	62	DPV25303	25,30,35	88	DPD25008A														
7	DPP15103	DPV15928	35	DPV15928	15	63	DPV25203	40,45	89	DPD15020														
	DPP25105	DPV15924A	36	DPV15924A	25	64	DPA15901	25-45		PROFI														
	DPP35103	TS091	37	TS091	30,35	65	DPA15001		90	DPD25034														
	DPP45103	TS094A	38	TS094A	40,45	66	DPA25001		91	DPD25073														
8	DPV25931C	DPD25016A	39	DPD25016A		67	DPA15902		92	DPD15030														
9	DPV25930C	DPD15011	40	DPD15011		68	DPA15002	15	93	DPD25059														
10	DPD25029	DPD25020	41	DPD25020		69	DPA25002	25	94	DPA15014														
11	DPV15932	DPD25080*	42	DPD25080*	15	70	DPA15008	15	95	AT46C														
	DPV25932C	DPD45909B	43	DPD45909B	25		DPA25002	30,35		LAMBDA														
	DPV35932A	DPD45909C	44	DPD45909C	30,35		DPA35002	40,45	96	DPA15900														
	DPV45932	DPD25001B	45	DPD25001B	40,45		DPA45002	40,45	97	DPD15007B														
12	DPV25366C	DPV25081	46	DPV25081		68	DPA15903	15	98	DPD25211														
13	DPD25021	DPV25116	47	DPV25116		69	DPA15008	25	99	DPD25210														
14	DPD15901	DPV25081*	48	DPV25081*	15		DPA25008	25	100	DPD25213														
	DPD25901F	DPV45040	49	DPV45040	25		DPA35008	30-45	101	DPD25214														
	DPD35901F	DPD25016D	50	DPD25016D	30,35		DPA45008	40,45	102	DPV25925														
	DPD45901	DPD25202D	51	DPD25202D	40,45		DPA15008	15	103	DPD25212A														
			52				DPA25008	25	104	DPV25301A														
			53				DPA35008	30,35	105	DPD25216														
			54				DPA45008	40,45	106	DPA15026														

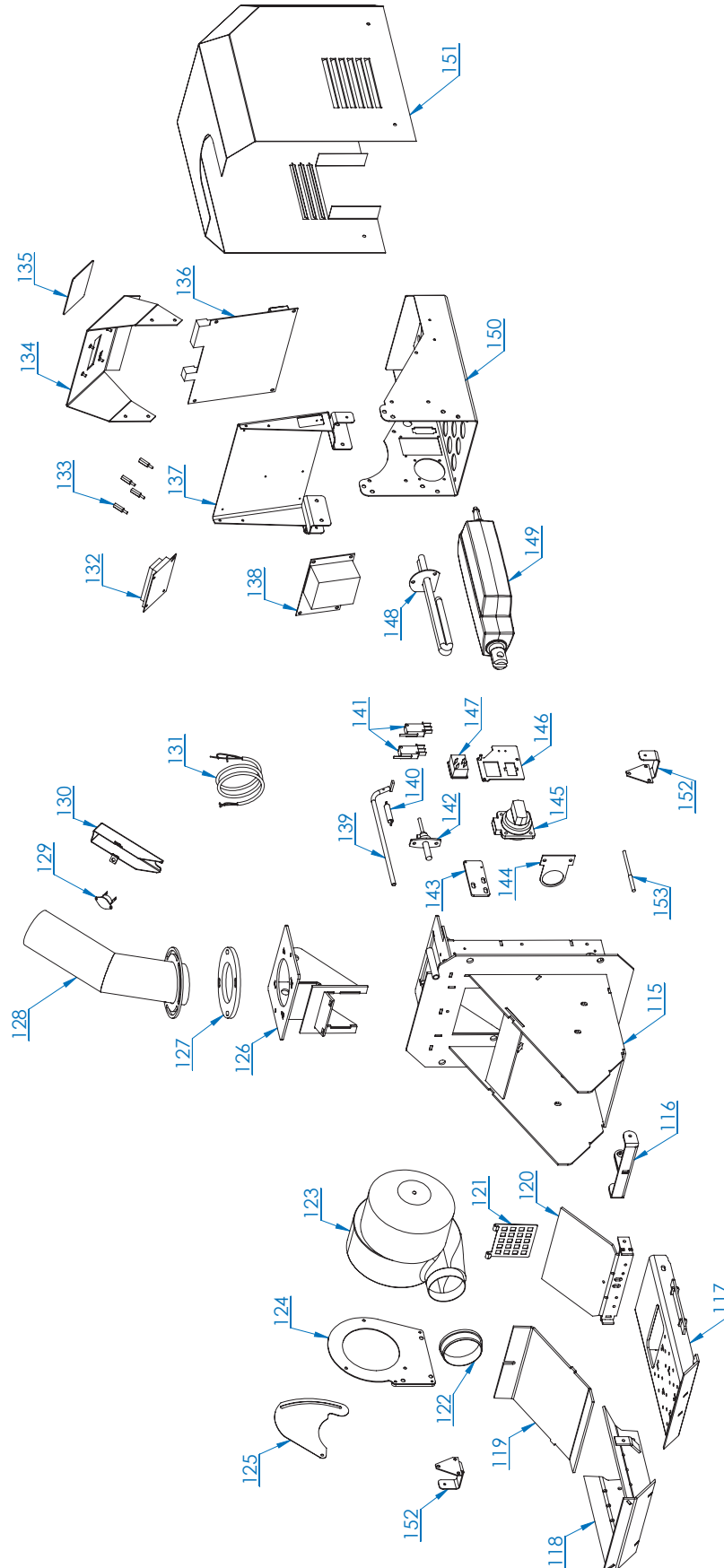
\* 11/2016 -

#	CODE	#	CODE
1	DP25500	25	DPD15030
2	DP25500B*	25	DPD15016
3	DP35500	30,35	AT46C
4	DPD25613		
5	DPV25049	25	DPD25073
6	DPT35005	30,35	DP025601C
7	DPT35004	30,35	DP035601D
8	DPV25382D	25	DP025813
9	DPV35382D	30,35	DP025792
10	DPP25104	25	DP035792
11	DPP25105	30,35	DP015032D
12	DPP25106	25	DP025603D
13	DPP35104	30,35	DP035603D
14	DPP35105	25	DP015009B
15	DPP35103	30,35	ADF25807
16	DPD25029		ADF25223
17	DPV25931C		DP025804
18	DPV25930C		DP025816
19	DPD25021		DPV25818
20	DPD25901F	25	DPV25821
21	DPD35901F	30,35	DPV25817
22	DPV25326		DPD25420
23	DPV25327		DPD25430
24	DPV25325A		DP025442
25	DPV25366C		DP025800
26	DPV25363B		DP025480
27	TS103	25	DP025554
28	DPD25020	25	DPD25601
29	DPD25080*	25	DPV25095A
30	DPD45909B	30,35	DPV25371A
31	DPD25001B		ADF25847
32	DPV25116	25	ADF2520A
33	DPV25081*	25	DPV25803
34	DPV45040	30,35	PEL0490
35	DPD25016D	25	DP025521A
36	DPD25022	30,35	DPD25606
37	DPD45005		DPD25030
38	DPV25921B		DPD25605A
39	DPV15930D		DPV95086
40	DPV15921		DPD25301
41	DPV25065		DPV25329A
42	DPV45035A		DPV35711
43	DPV15925		DPV25304
44	DPV15924A		DPV25203
45	TS091		DPV25500
46	TS094A		DPD15008A
47	OT19C		DPD25016D
48	DPD25016A	25	DPD45005
49	DPD45003	30,35	DPV25921B
50	DPD15900		DPV15930D
51	PELH30ACP		DPV15921
52			DPD25065
53			DPV45035A
54			DPV15925
55			DPV15924A
56			TS091
57			TS094A
58			OT19C
59			DPD25016A
60			DPD45003
61			DPD15900
62			PELH30ACP
63			
64			
65			
66			
67			
68			
69			
70			
71			
72			
73			
74			
75			
76			
77			
78			
79			
80			
81			
82			
83			
84			
85			
86			
87			
88			
89			
90			
91			
92			
93			
94			
95			
96			
97			
98			
99			
100			
101			
102			
103			
104			
105			
106			
107			
108			
109			
110			
111			

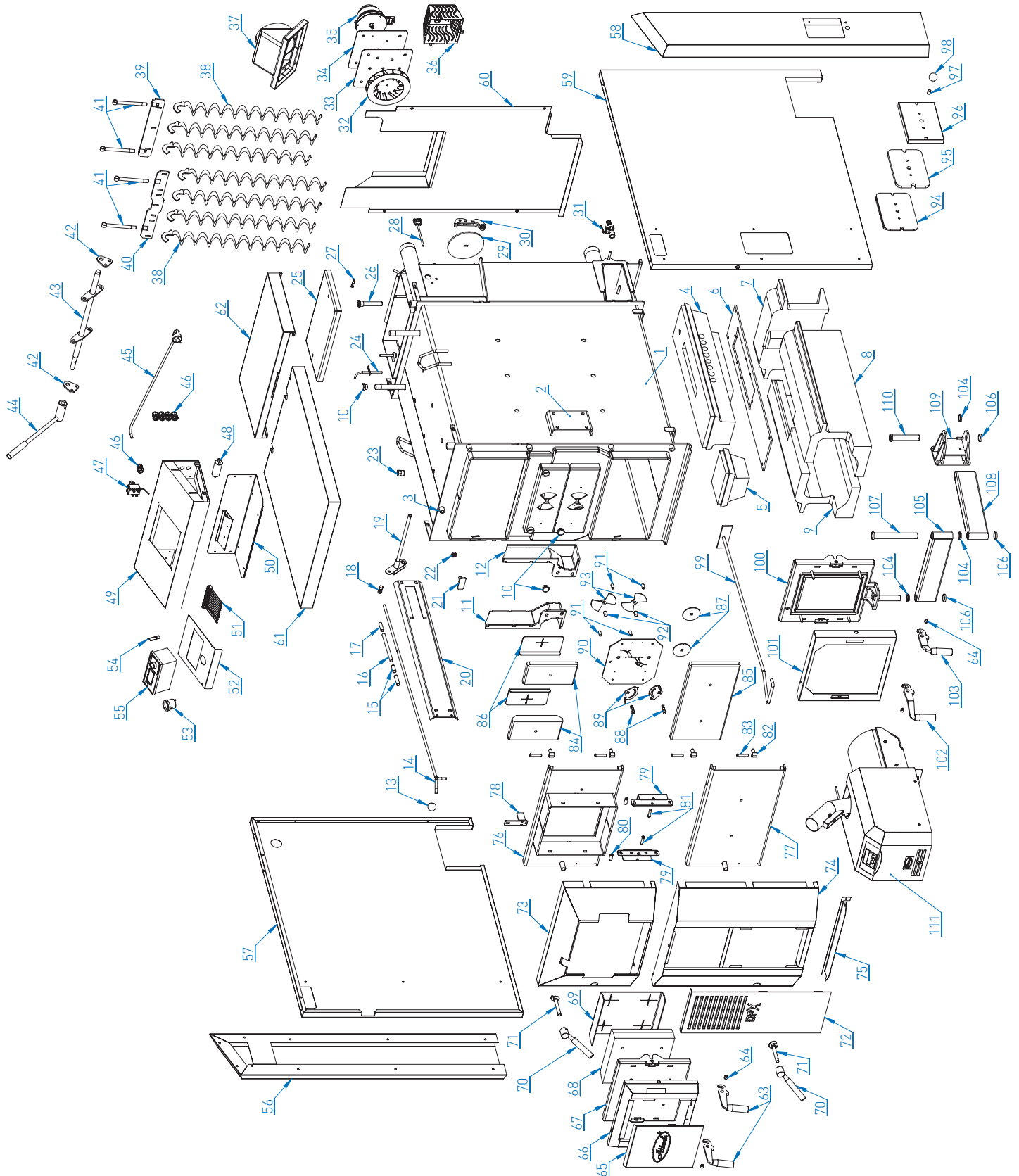
\*11/2016 -



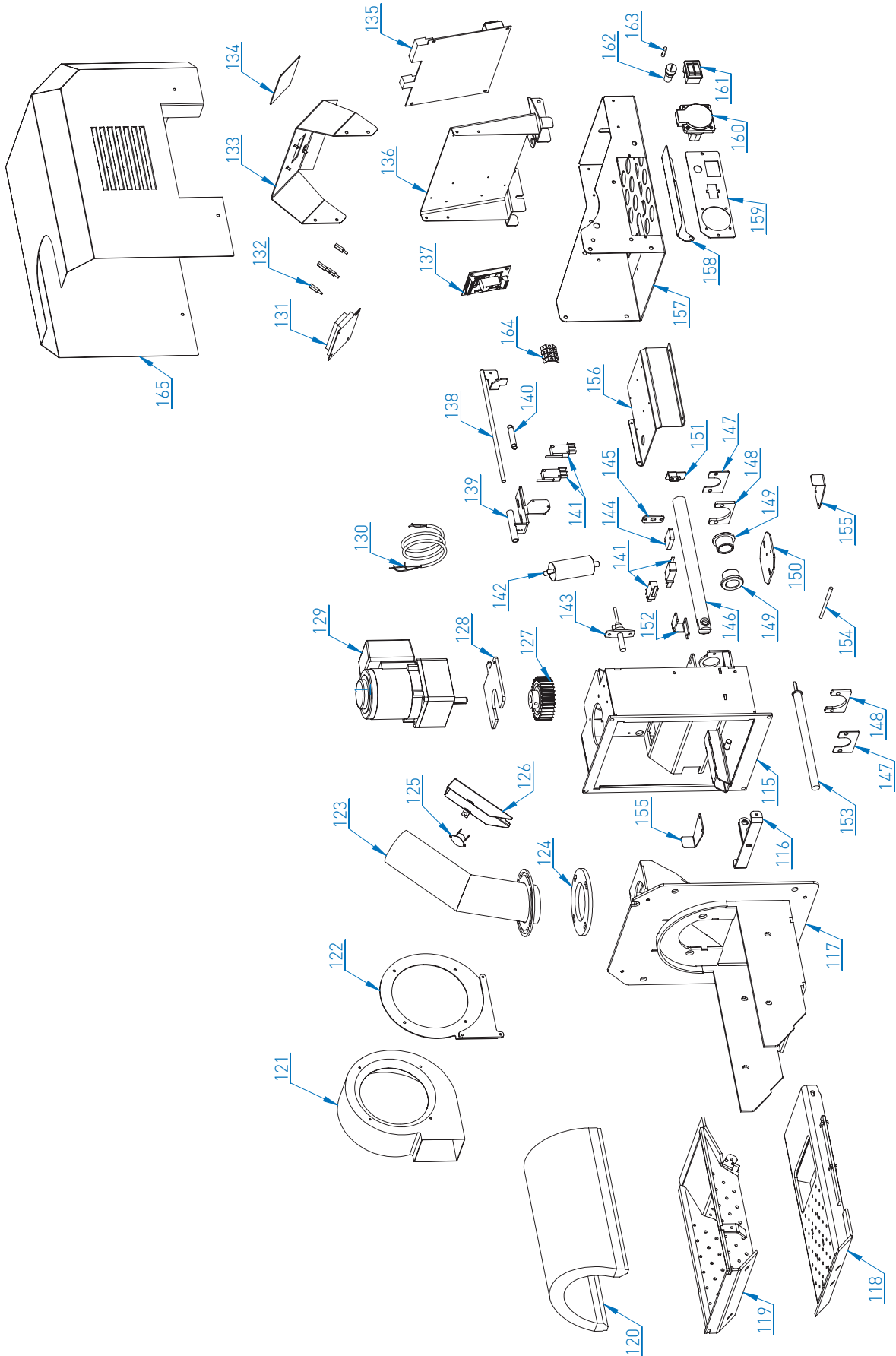
#	CODE
115	PELH30900A
116	H30921C
117	H30920B
118	H30940A
119	H30001
120	H30930A
121	H30009A
122	PR15
123	H30982
124	H30952
125	H30012A
126	H30961B
127	PELH30851
128	PELH30800A
129	TS215
130	PELH30807B
131	H30020
132	H30809
133	H30820
134	H30970A
135	H30808
136	H30806B
137	H30951B
138	H30807
139	H30122
140	H30014
141	H30804
142	H30803
143	H30003A
144	H30002
145	TH31
146	H30021
147	TH23A
148	H30980
149	ADF25640
150	PELH30830A
151	H30701C
152	H30008
153	H30813A



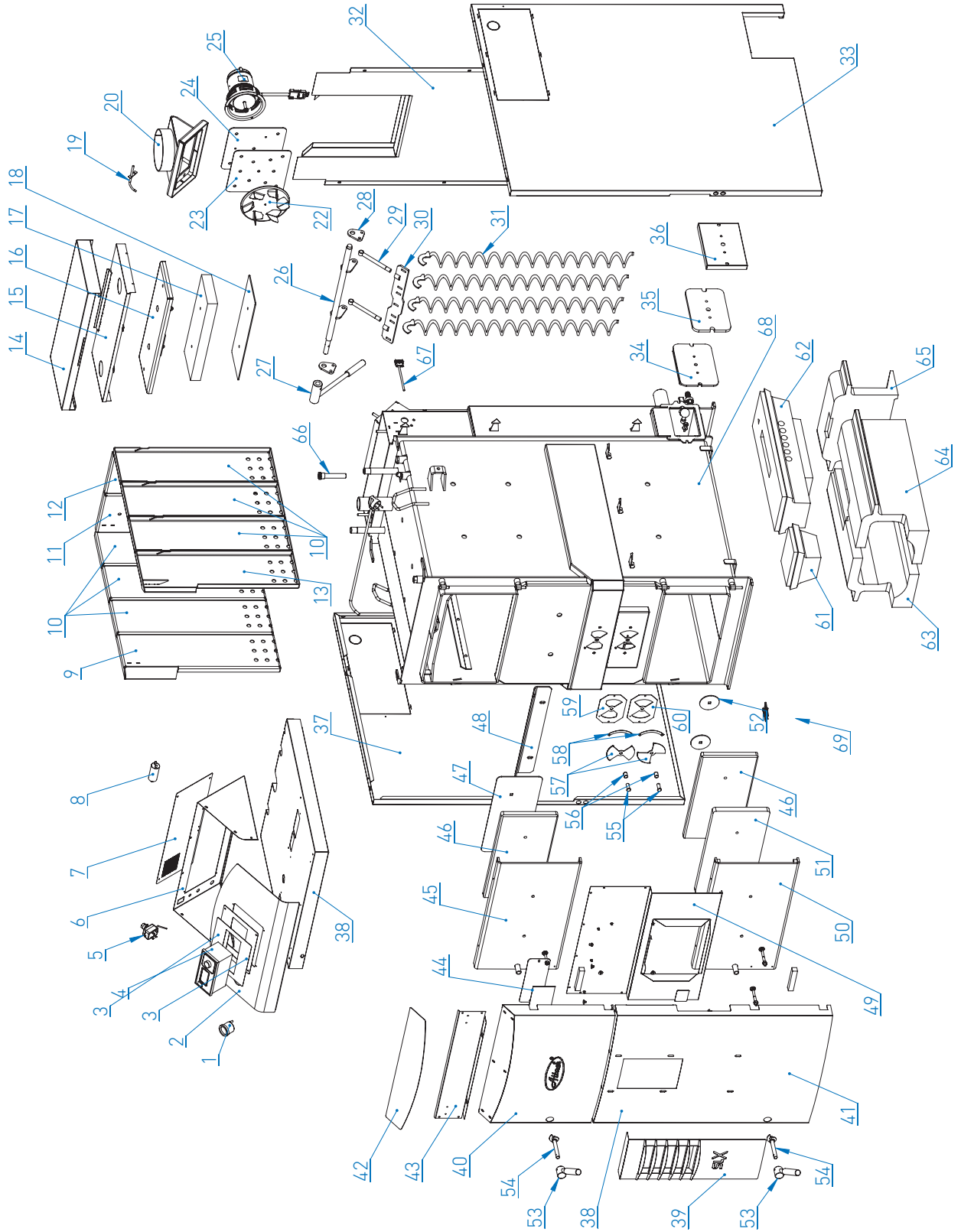
#	CODE	#	CODE
1	DP45500	57	DPO45601C
2	DPD25613	58	DPO25813
3	DPV25049	59	DPO45792
4	DPT45004	60	DPO15032D
5	DPT35004	61	DPO45603C
6	DPV45382D	62	DPO45009B
7	DP25104	63	ADF25807
8	DDP45104	64	ADF25223
9	DDP45103	65	DPO25804
10	DPD25029	66	DPO25816
11	DPV25931C	67	DPV25818
12	DPV25930C	68	DPV25821
13	DPD25021	69	DPV25817
14	DPD45901	70	DPD25420B
15	DPV25526	71	DPD25430
16	DPV25331B	72	DPO25642
17	DPV25327	73	DPO25800
18	DPV25525A	74	DPO25680
19	DPV25366C	75	DPO25554
20	DPV45932	76	DPD25601
21	DPV25827	77	DPV25095A
22	SP60	78	DPV25371A
23	OT11	79	ADF25847
24	DPD25059	80	ADF25220A
25	DPV45923	81	DPV25803
26	DPD25011	82	PEL0490
27	TS106	83	DPQ25521A
28	DPD45120	84	DPD25606
29	DPV25560	85	DPD25030
30	DPV25363B	86	DPD25605A
31	TS103	87	DPV95086
32	DPD45909C	88	DPV25301
33	DPD25001B	89	DPV25329A
34	DPV45040	90	DPV35711
35	DPD25202D	91	DPV25304
36	DPD45005	92	DPV25303
37	DPV25921B	93	DPV25203
38	DPV15930D	94	DPV25500
39	DPV15923	95	DPD15008A
40	DPV15921	96	DPO15006D
41	DPD25065	97	DPV25504
42	DPV45035A	98	DPD25021
43	DPV15928	99	DPC25005A
44	DPV15924A	100	DPD25636
45	TS091	101	DPO25807A
46	TS094A	102	DPD25632
47	OT19C	103	DPD25634
48	DPD45003	104	DPD25631
49	DPO15900	105	DPD25624
50	DPO15014	106	DPD25627
51	DPD15030	107	DPD25629
52	DPO15016	108	DPD25621
53	AT46C	109	DPD25614
54	DPD25034	110	DPD25626
55	DPD25073	111	PELH50ACP
56	DPO15027B		



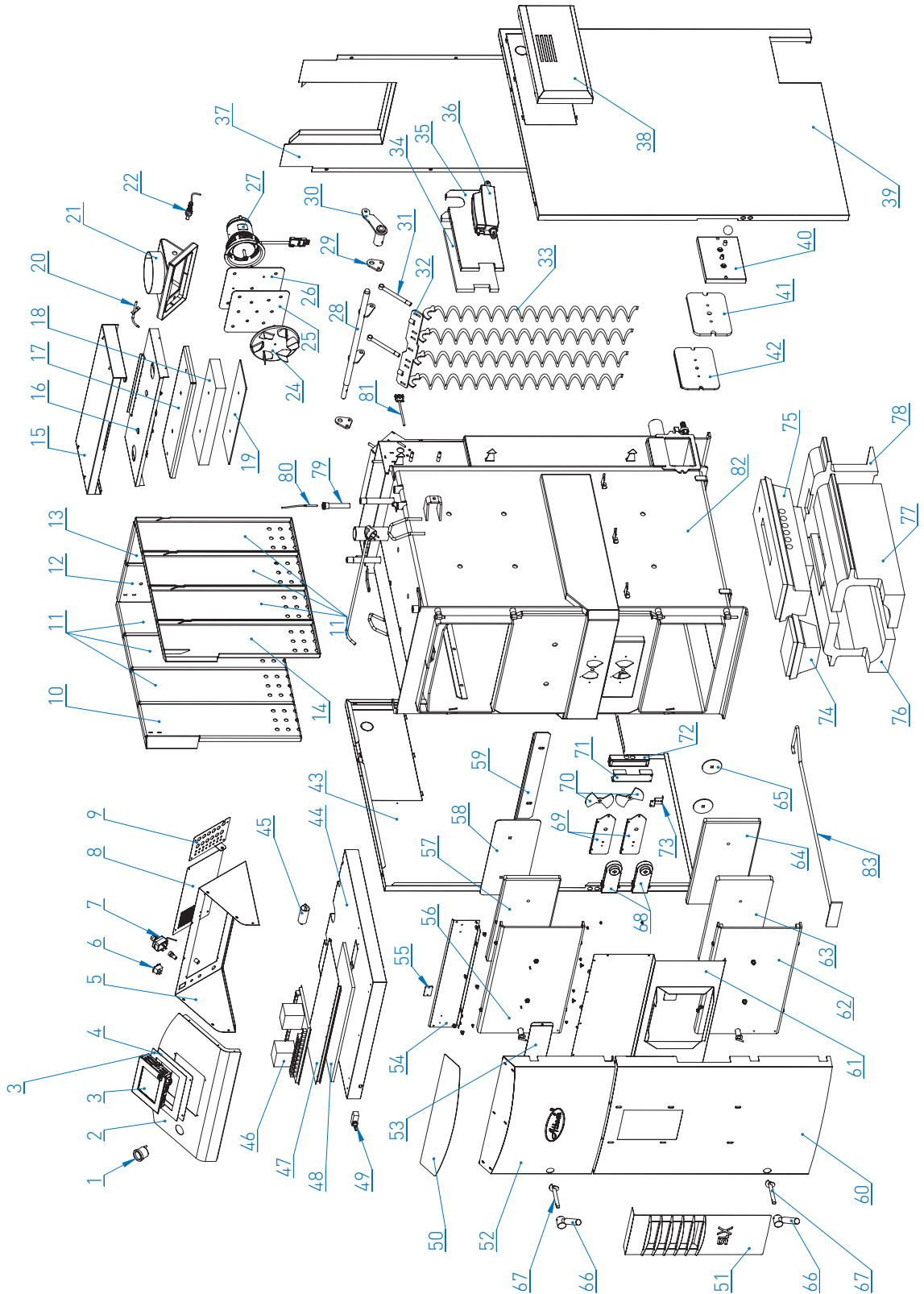
#	CODE
115	PELH50907A
116	PELH50906
117	PELH50901
118	PELH50905A
119	PELH50904A
120	PELH50044A
121	PELH50045
122	PELH50909
123	PELH30800A
124	PELH30851
125	TS215
126	PELH30807B
127	PELH50912
128	PELH50049
129	PEL937
130	PELH50068
131	H30809
132	H30820
133	PELH50911
134	H30808
135	H30806B
136	PELH50910
137	PELH50058
138	PELH50913
139	PELH50914
140	H30014
141	H30804
142	DPD45003
143	H30803
144	PELH50077
145	PELH50047
146	PELH50056A
147	PELH50051
148	PELH50052
149	PELH50055
150	PELH50076
151	PELH50054
152	PELH50066
153	H30980A
154	H30813A
155	PELH50050A
156	PELH50053
157	PELH50046B
158	PELH50081
159	PELH50064
160	TH31
161	TH23A
162	TH05A
163	TH06B
164	TS118L
165	PELH50040A



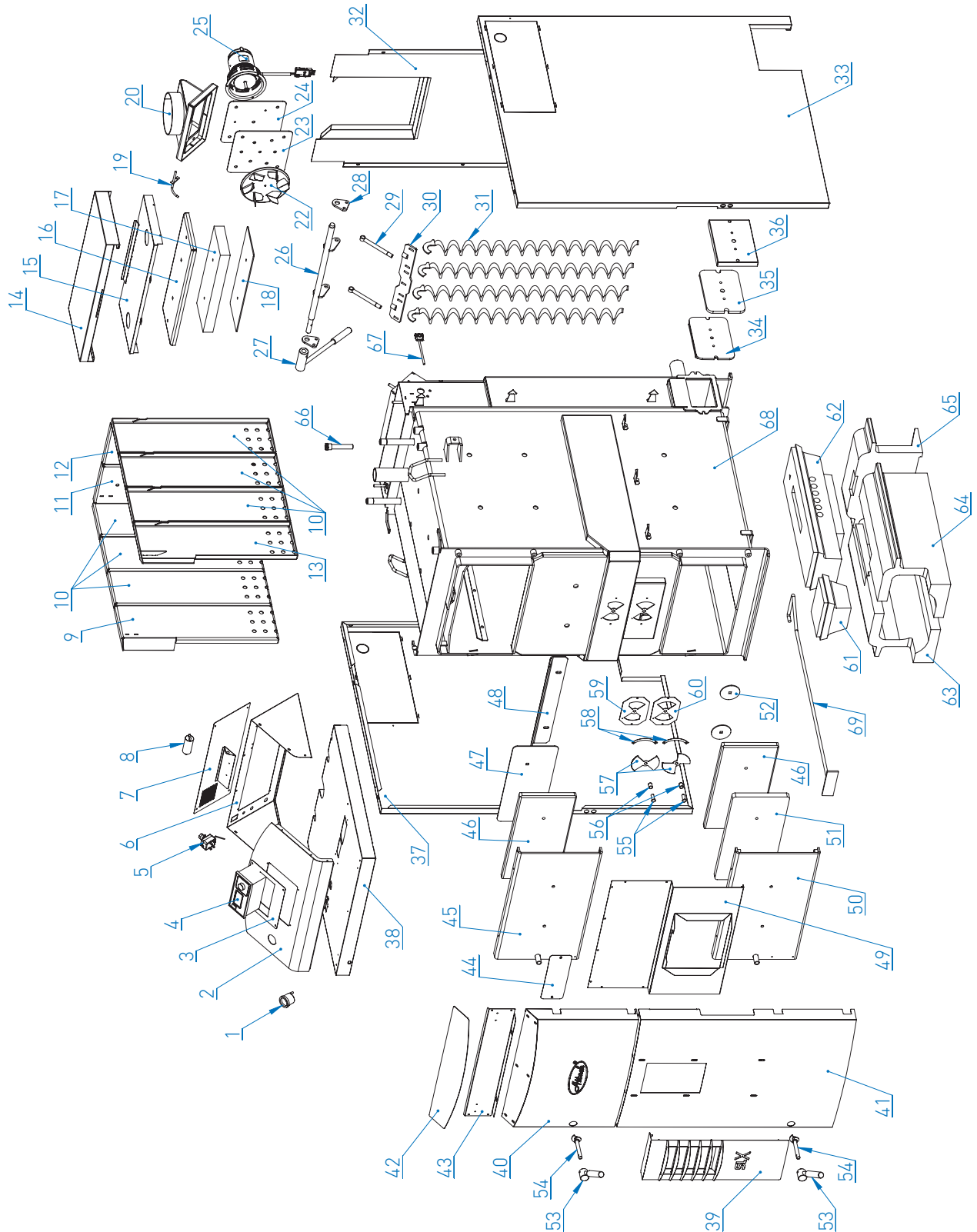
#	CODE	#	CODE
1	AT46C	36	DP015006D
2	SL20935A	37	SL20036C
3	SL20102	38	SL20929A
4	DPD25073	39	SL20931
5	OT19C	40	SL20928A
6	SL20096A	41	SL20927A
7	SL20936A	42	SL20932
8	DPD25016A	43	SL20097A
9	SL20914A	44	SL20111A
10	SL20022A	45	SL20926A
11	SL20913A	46	DPD25030
12	SL20912A	47	SL20121
13	SL20915A	48	SL20033
14	DP015009B	49	SL20098A
15	SL20122A	50	DPV25095A
16	SL20911	51	SL20123
17	SL20040	52	DPV95086
18	SL20041	53	DPD25420B
19	DPD25059	54	DPD25430
20	SL20937	55	SP111
21		56	DPV25303
22	DPD25080	57	SL20068
23	DPD25001B	58	DK418
24	DPV25081	59	SL20066
25	DPD25016D	60	SL20067
26	DPV15925	61	DPT35004
27	DPV15924A	62	DPT20001
28	DPV45035A	63	DPP35103
29	DPD25065	64	DPP35104
30	DPV15921	65	DPP35105
31	SL20924	66	DPD25011
32	SL20916A	67	DPD25110
33	SL20034C	68	SL20901
34	DPV25500	69	DPC25005A
35	DPD15008A	70	



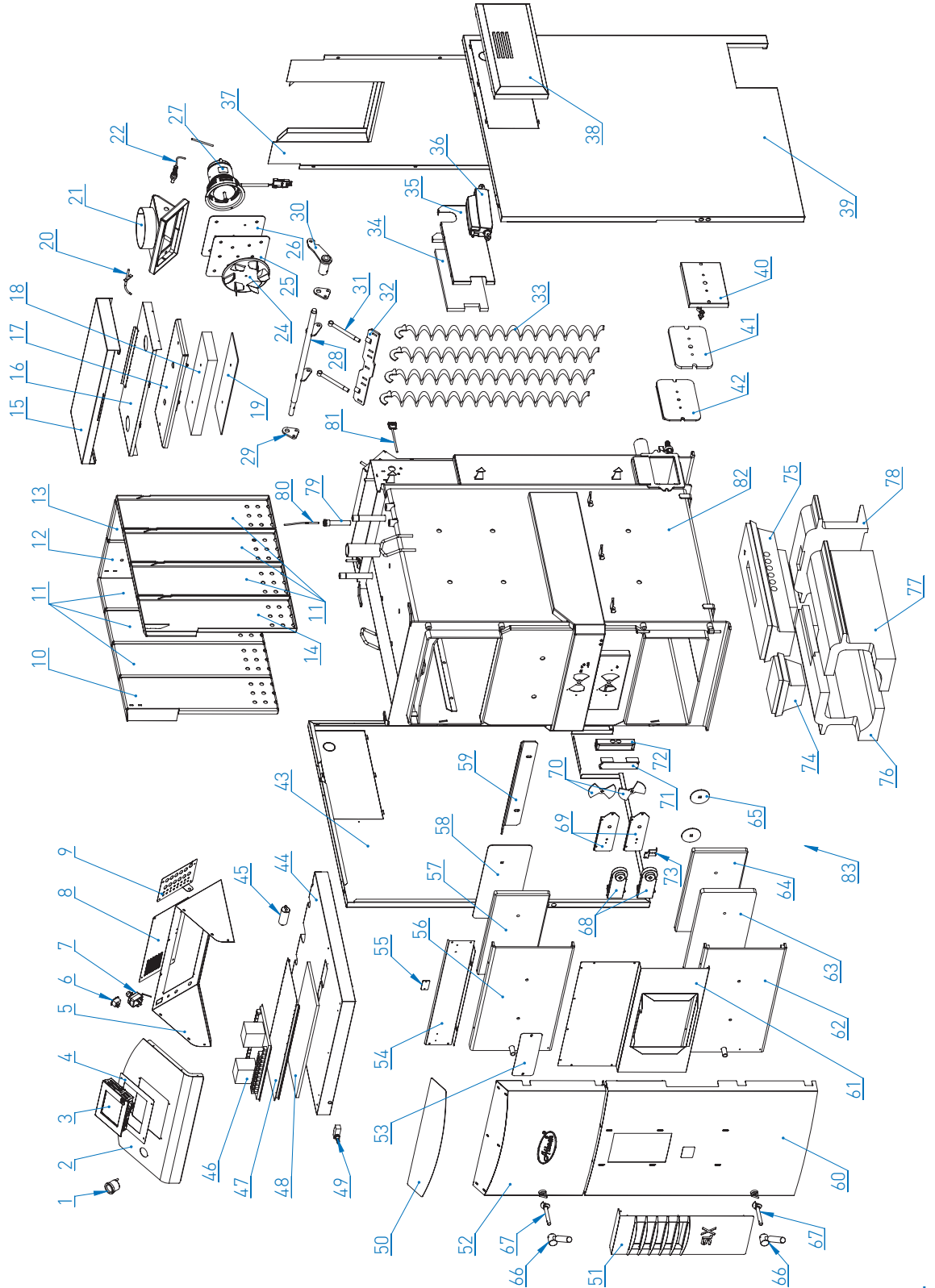
#	CODE	#	CODE
1	AT46C	43	SL20036C
2	SL20935A	44	SL20929A
3	DPD25221	45	DPD15016A
4	SL20092	46	DPD25220
5	SL20096A	47	SL20107
6	TS095A	48	SL20108
7	OT19C	49	ADF25478
8	SL20119A	50	SL20932
9	SL20120	51	SL20931
10	SL20914A	52	SL20928A
11	SL20022A	53	SL20111A
12	SL20913A	54	SL20097A
13	SL20912A	55	SL20124
14	SL20915A	56	SL20926A
15	DPO15009B	57	DPD25030
16	SL20122A	58	SL20121
17	SL20911	59	SL20033
18	SL20040	60	SL20927A
19	SL20041	61	SL20098A
20	DPD25059	62	DPV25095A
21	ADF25816	63	SL20123
22	DPD25223	64	DPD25030
23		65	DPV95086
24	DPD25080	66	DPD25420B
25	DPD25001B	67	DPD25430
26	DPV25081	68	DPD25216
27	DPD25016D	69	SL20032
28	DPV15925	70	DPV25203
29	DPV45035A	71	SL20118A
30	SL20919B	72	SL20095A
31	DPD25065	73	SL20129
32	DPV15921	74	DPT35004
33	SL20924	75	DPT20001
34	SL20130	76	DPP35103
35	SL20128A	77	DPP35104
36	H30810	78	DPP35105
37	SL20916A	79	DPD25011
38	SL20055B	80	ADF25602
39	SL20034C	81	DPD25110
40	DPO15006D	82	SL20901
41	DPD15008A	83	DPC25005A
42	DPV25500		



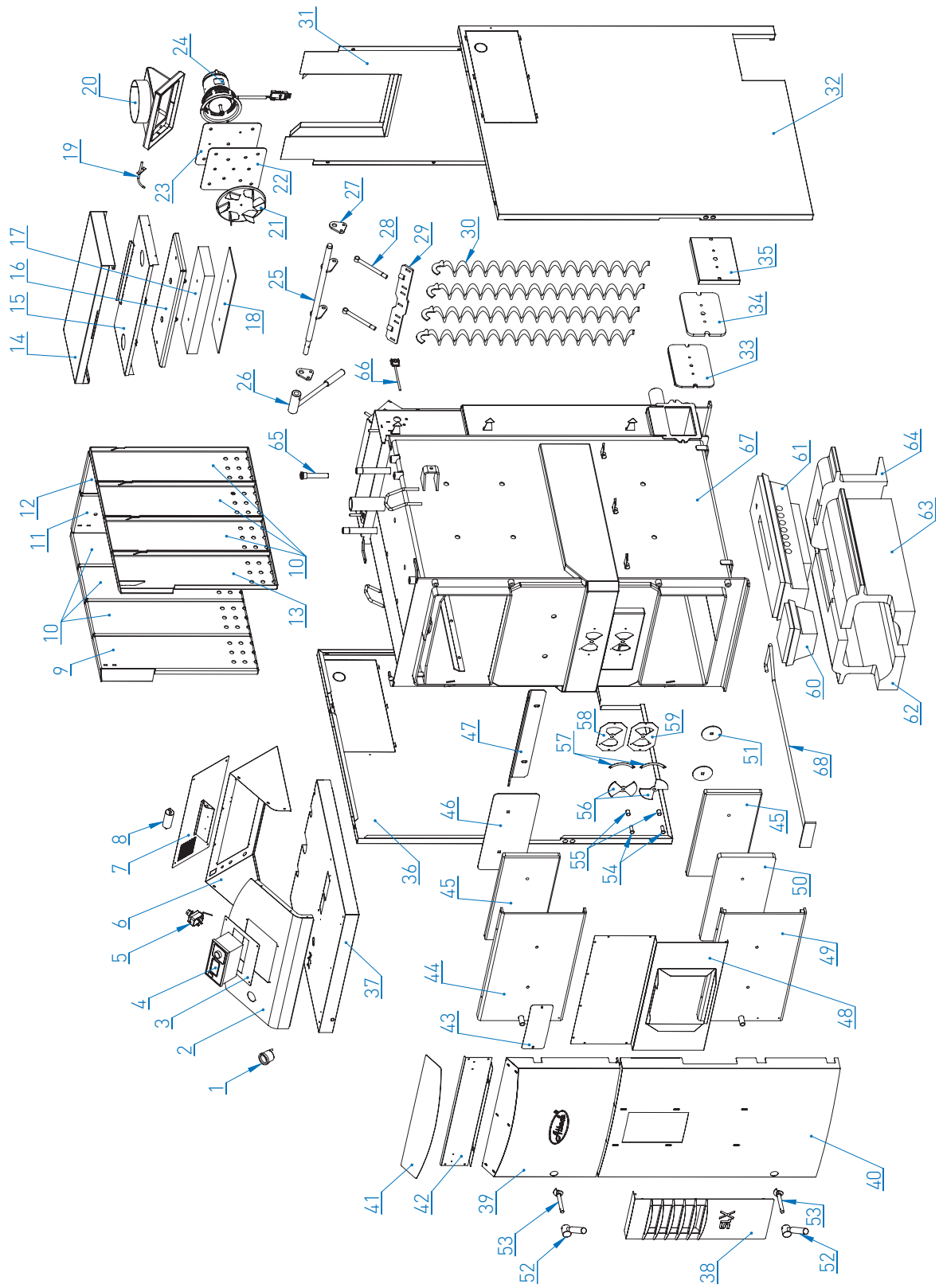
#	CODE	#	CODE
1	AT46C	36	DP015006D
2	SL20935A	37	SL20036C
3	SL20102	38	SL20929A
4	DPD25073	39	SL20931
5	OT19C	40	SL20928A
6	SL20096A	41	SL20927A
7	SL20936A	42	SL20932
8	DPD25016A	43	SL20097A
9	SL20914A	44	SL20111A
10	SL20022A	45	SL20926A
11	SL20913A	46	DPD25030
12	SL20912A	47	SL20121
13	SL20915A	48	SL20033
14	DP015009B	49	SL20098A
15	SL20122A	50	DPV25095A
16	SL20911	51	SL20123
17	SL20040	52	DPV95086
18	SL20041	53	DPD25420B
19	DPD25059	54	DPD25430
20	SL20937	55	SP111
21		56	DPV25303
22	DPD25080	57	SL20068
23	DPD25001B	58	DK418
24	DPV25081	59	SL20066
25	DPD25016D	60	SL20067
26	DPV15925	61	DPT35004
27	DPV15924A	62	DPT20001
28	DPV45035A	63	DPP35103
29	DPD25065	64	DPP35104
30	DPV15921	65	DPP35105
31	ADF25921	66	DPD25011
32	SL20916A	67	DPD25110
33	SL20034C	68	SL20901
34	DPV25500	69	DPC25005A
35	DPD15008A	70	



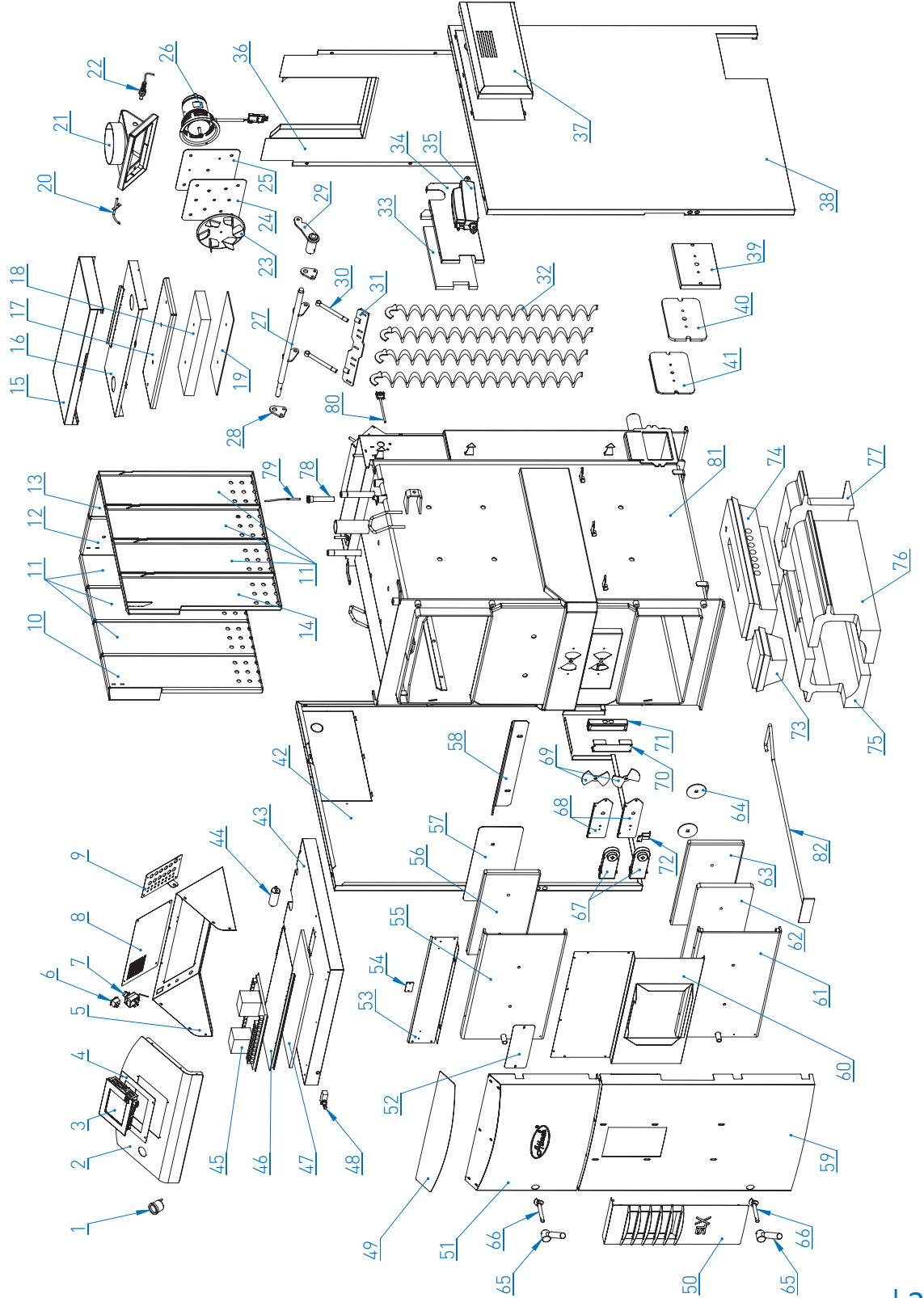
#	CODE	#	CODE
1	AT46C	43	SL20036C
2	SL20935A	44	SL20929A
3	DPD25221	45	DPD15016A
4	SL20092	46	DPD25220
5	SL20096A	47	SL20107
6	TS095A	48	SL20108
7	OT19C	49	ADF25478
8	SL20119A	50	SL20932
9	SL20120	51	SL20931
10	SL20914A	52	SL20928A
11	SL20022A	53	SL20111A
12	SL20913A	54	SL20097A
13	SL20912A	55	SL20124
14	SL20915A	56	SL20926A
15	DPO15009B	57	DPD25030
16	SL20122A	58	SL20121
17	SL20911	59	SL20033
18	SL20040	60	SL20927A
19	SL20041	61	SL20098A
20	DPD25059	62	DPV25095A
21	ADF25816	63	SL20123
22	DPD25223	64	DPD25030
23		65	DPV95086
24	DPD25080	66	DPD25420B
25	DPD25001B	67	DPD25430
26	DPV25081	68	DPD25216
27	DPD25016D	69	SL20032
28	DPV15925	70	DPV25203
29	DPV45035A	71	SL20118A
30	SL20919B	72	SL20095A
31	DPD25065	73	SL20129
32	DPV15921	74	DPT35004
33	ADF25921	75	DPT20001
34	SL20130	76	DPP35103
35	SL20128A	77	DPP35104
36	H30810	78	DPP35105
37	SL20916A	79	DPD25011
38	SL20055B	80	ADF25602
39	SL20034C	81	DPD25110
40	DPO15006D	82	SL20901
41	DPD15008A	83	DPC25005A
42	DPV25500		



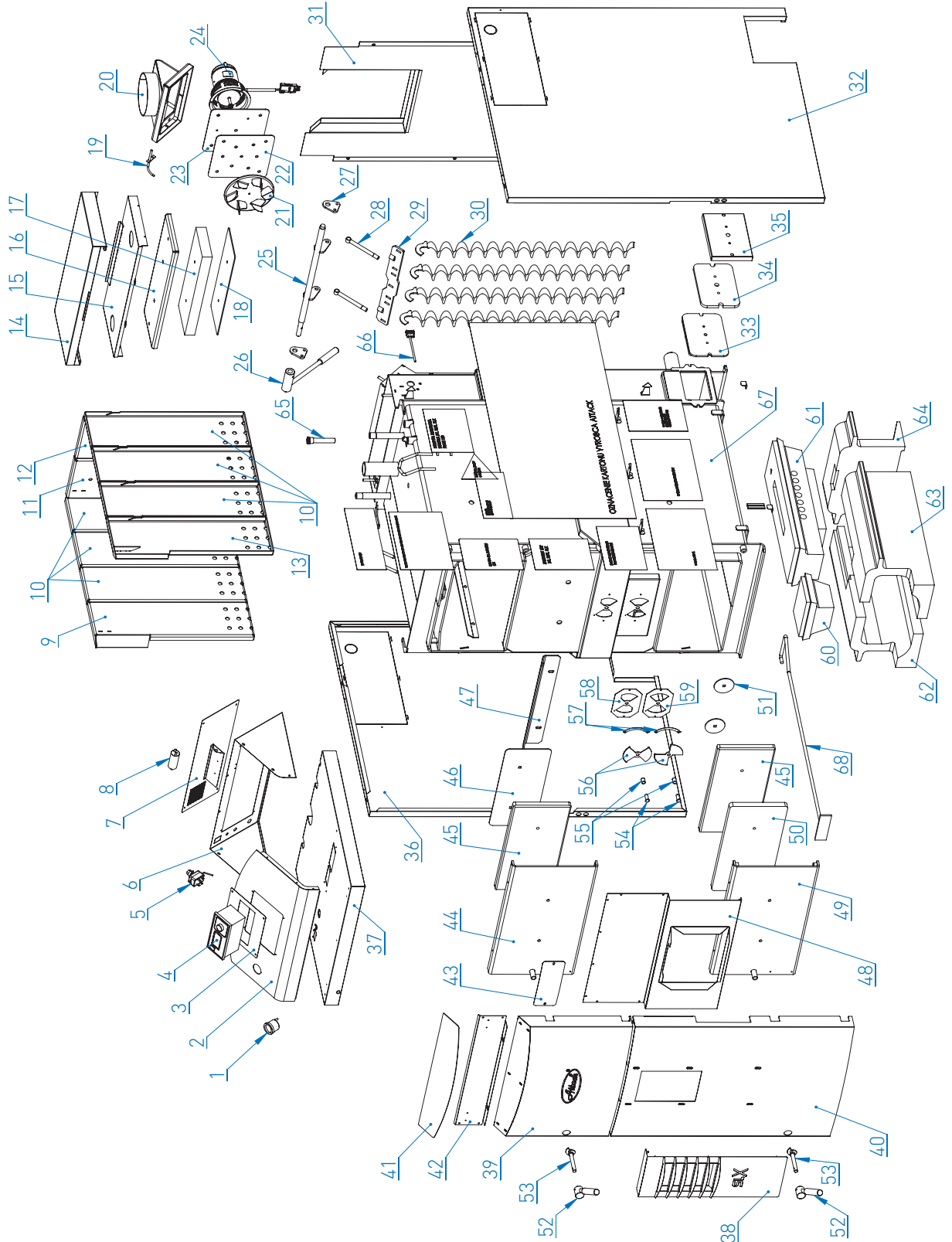
#	CODE	#	CODE
1	AT46C	35	DPO15006D
2	SL20935A	36	SL20036C
3	SL20102	37	SL20929A
4	DPD25073	38	SL20931
5	OT19C	39	SL20928A
6	SL20096A	40	SL20927A
7	SL20936A	41	SL20932
8	DPD25016A	42	SL20097A
9	SL20914A	43	SL20111A
10	SL20022A	44	SL20926A
11	SL20913A	45	DPD25030
12	SL20912A	46	SL20121
13	SL20915A	47	SL20033
14	DP015009B	48	SL20098A
15	SL20122A	49	DPV25095A
16	SL20911	50	SL20123
17	SL20040	51	DPV95086
18	SL20041	52	DPD25420B
19	DPD25059	53	DPD25430
20	SL20937	54	SP111
21	DPD25080	55	DPV25303
22	DPD25001B	56	SL20068
23	DPV25081	57	DK418
24	DPD25016D	58	SL20066
25	DPV15925	59	SL20067
26	DPV15924A	60	DPT35004
27	DPV45035A	61	DPT350051
28	DPD25065	62	DPP35103
29	DPV15921	63	DPP35104
30	ADF25921	64	DPP35105
31	SL20916A	65	DPD25011
32	SL20034C	66	DPD25110
33	DPV25500	67	SL20901
34	DPD15008A	68	DPC25005A



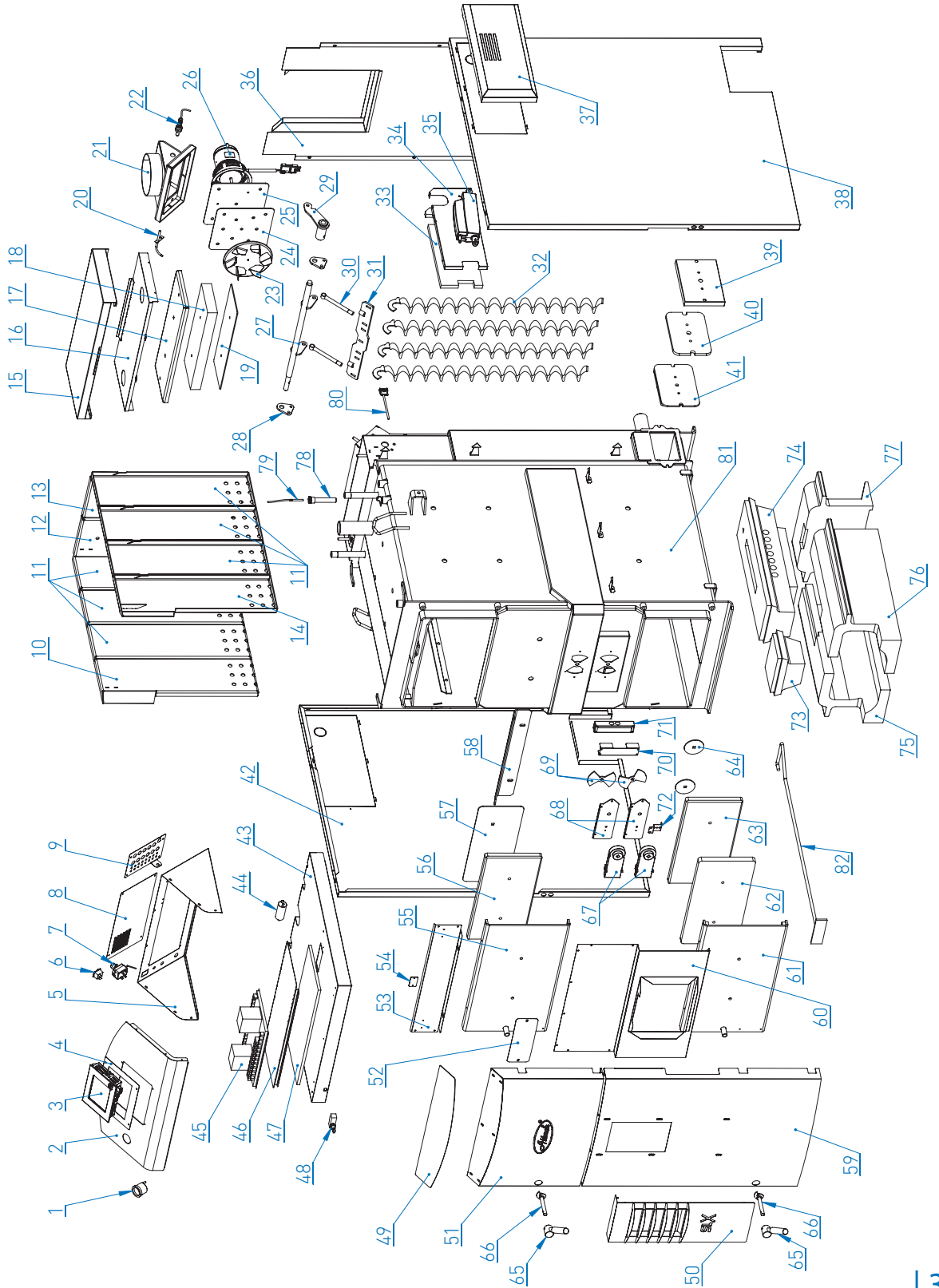
#	CODE	#	CODE
1	AT46C	42	SL20036C
2	SL20935A	43	SL20929A
3	DPD25221	44	DPD15016A
4	SL20092	45	DPD25220
5	SL20096A	46	SL20107
6	TS095A	47	SL20108
7	OT19C	48	ADF25478
8	SL20119A	49	SL20932
9	SL20120	50	SL20931
10	SL20914A	51	SL20928A
11	SL20022A	52	SL20111A
12	SL20913A	53	SL20097A
13	SL20912A	54	SL20124
14	SL20915A	55	SL20926A
15	DPO15009B	56	DPD25030
16	SL20122A	57	SL20121
17	SL20911	58	SL20033
18	SL20040	59	SL20927A
19	SL20041	60	SL20098A
20	DPD25059	61	DPV25095A
21	ADF25816	62	SL20123
22	DPD25223	63	DPD25030
23	DPD25080	64	DPV95086
24	DPD25001B	65	DPD25420B
25	DPV25081	66	DPD25430
26	DPD25016D	67	DPD25216
27	DPV15925	68	SL20032
28	DPV45035A	69	DPV25203
29	SL20919B	70	SL20118A
30	DPD25065	71	SL20095A
31	DPV15921	72	SL20129
32	ADF25921	73	DPT35004
33	SL20130	74	DPT35005
34	SL20128A	75	DPP35103
35	H30810	76	DPP35104
36	SL20916A	77	DPP35105
37	SL20055B	78	DPD25011
38	SL20034C	79	ADF25602
39	DPO15006D	80	DPD25110
40	DPD15008A	81	SL20901
41	DPV25500	82	DPC25005A



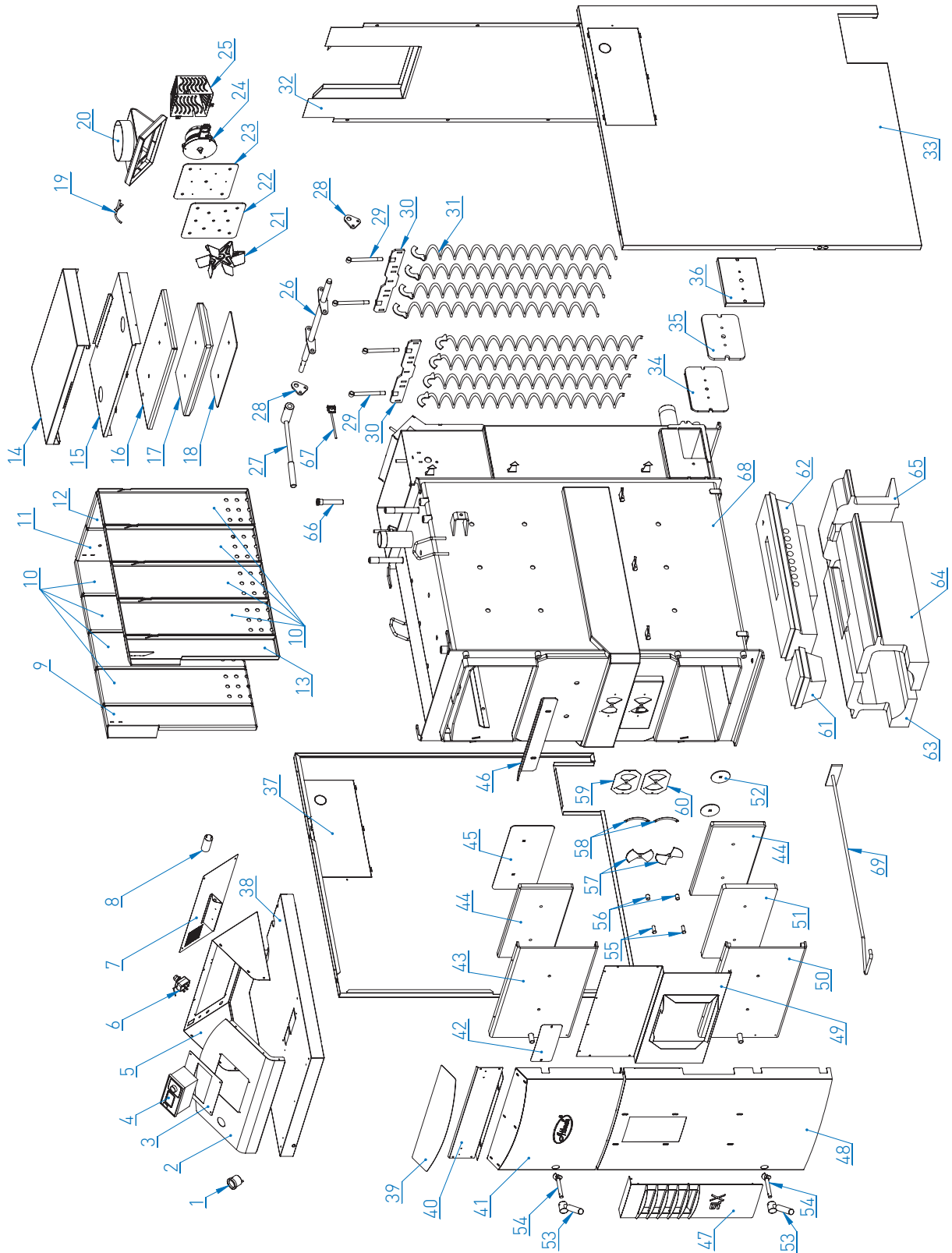
#	CODE	#	CODE
1	AT46C	35	DP015006D
2	SL20935A	36	SL20036C
3	SL20102	37	SL20929A
4	DPD25073	38	SL20931
5	OT19C	39	SL20928A
6	SL20096A	40	SL20927A
7	SL20936A	41	SL20932
8	DPD25016A	42	SL20097A
9	SL20914A	43	SL20111A
10	SL20022A	44	SL20926A
11	SL20913A	45	DPD25030
12	SL20912A	46	SL20121
13	SL20915A	47	SL20033
14	DP015009B	48	SL20098A
15	SL20122A	49	DPV25095A
16	SL20911	50	SL20123
17	SL20040	51	DPV95086
18	SL20041	52	DPD25420B
19	DPD25059	53	DPD25430
20	SL20937	54	SP111
21	DPD25080	55	DPV25303
22	DPD25001B	56	SL20068
23	DPV25081	57	DK418
24	DPD25016D	58	SL20066
25	DPV15925	59	SL20067
26	DPV15924A	60	DPT35004
27	DPV45035A	61	DPT350051
28	DPD25065	62	DPP35103
29	DPV15921	63	DPP35104
30	SL20940	64	DPP35105
31	SL20916A	65	DPD25011
32	SL20034C	66	DPD25110
33	DPV25500	67	SL20901
34	DPD15008A	68	DPC25005A



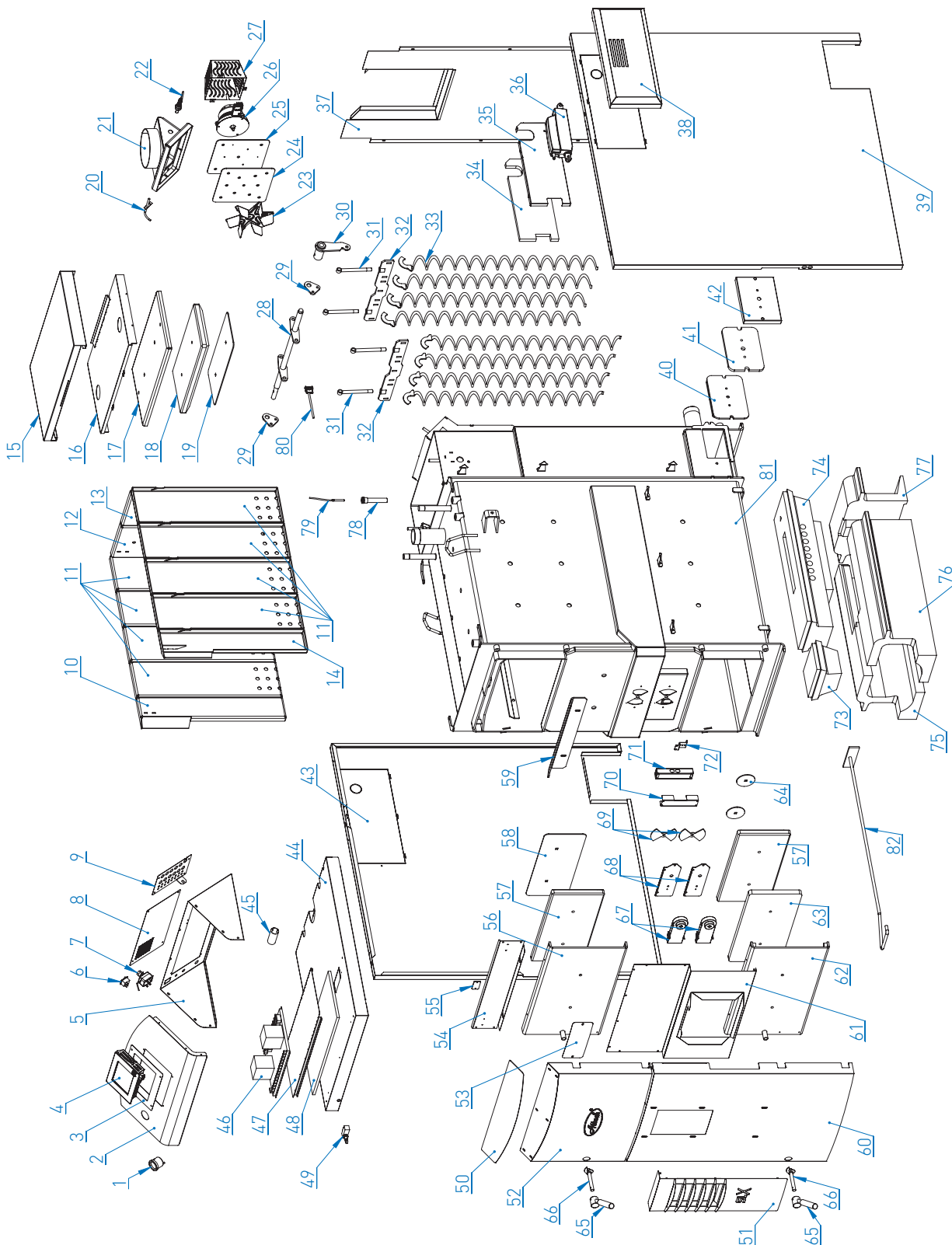
#	CODE	#	CODE
1	AT46C	42	SL20036C
2	SL20935A	43	SL20929A
3	DPD25221	44	DPD15016A
4	SL20092	45	DPD25220
5	SL20096A	46	SL20107
6	TS095A	47	SL20108
7	OT19C	48	ADF25478
8	SL20119A	49	SL20932
9	SL20120	50	SL20931
10	SL20914A	51	SL20928A
11	SL20022A	52	SL20111A
12	SL20913A	53	SL20097A
13	SL20912A	54	SL20124
14	SL20915A	55	SL20926A
15	DP015009B	56	DPD25030
16	SL20122A	57	SL20121
17	SL20911	58	SL20033
18	SL20040	59	SL20927A
19	SL20041	60	SL20098A
20	DPD25059	61	DPV25095A
21	ADF25816	62	SL20123
22	DPD25223	63	DPD25030
23	DPD25080	64	DPV95086
24	DPD25001B	65	DPD25420B
25	DPV25081	66	DPD25430
26	DPD25016D	67	DPD25216
27	DPV15925	68	SL20032
28	DPV45035A	69	DPV25203
29	SL20919B	70	SL20118A
30	DPD25065	71	SL20095A
31	DPV15921	72	SL20129
32	SL20940	73	DPT35004
33	SL20130	74	DPT35005
34	SL20128A	75	DPP35103
35	H30810	76	DPP35104
36	SL20916A	77	DPP35105
37	SL20055B	78	DPD25011
38	SL20034C	79	ADF25602
39	DP015006D	80	DPD25110
40	DPD15008A	81	SL20901
41	DPV25500	82	DPC25005A



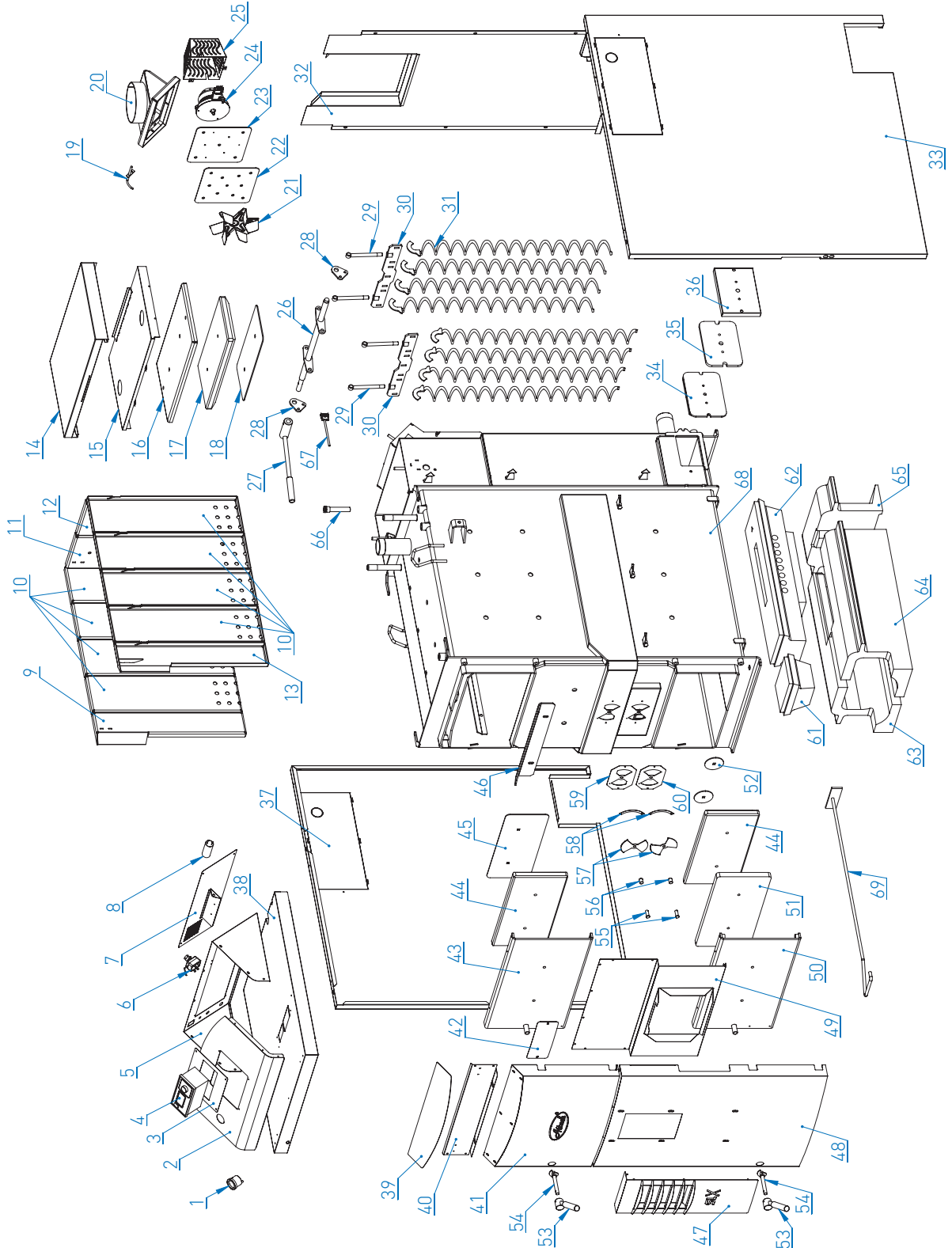
#	CODE	#	CODE
1	AT46C	36	DP015006D
2	SL20935A	37	SL40028A
3	SL20102	38	SL40915
4	DPD25073	39	SL20932
5	SL20096A	40	SL20097A
6	OT19C	41	SL20928A
7	SL20936A	42	SL20111A
8	DPD25016A	43	SL20926A
9	SL40908A	44	DPD25030
10	SL20022A	45	SL20121
11	SL20913A	46	SL20033
12	SL20912A	47	SL20931
13	SL40909A	48	SL20927A
14	SL40037	49	SL20098A
15	SL40039	50	DPV25095A
16	SL40912	51	SL20123
17	DPD25030	52	DPV95086
18	DPV25108	53	DPD25420B
19	DPD25059	54	DPD25430
20	SL20937	55	SP111
21	DPD40001	56	DPV25303
22	DPD25001B	57	SL20068
23	DPV45040	58	DK418
24	DPD25202D	59	SL20066
25	DPD45005	60	SL20067
26	DPV15928	61	DPT35004
27	DPV15924A	62	DPT45004
28	DPV45035A	63	DPP45103
29	DPD25065	64	DPP45104
30	DPV15921	65	DPP25104
31	SL20924	66	DPD25011
32	SL20916A	67	DPD25110
33	SL40027A	68	SL40901
34	DPV25500	69	DPC25005A
35	DPD15008A	70	



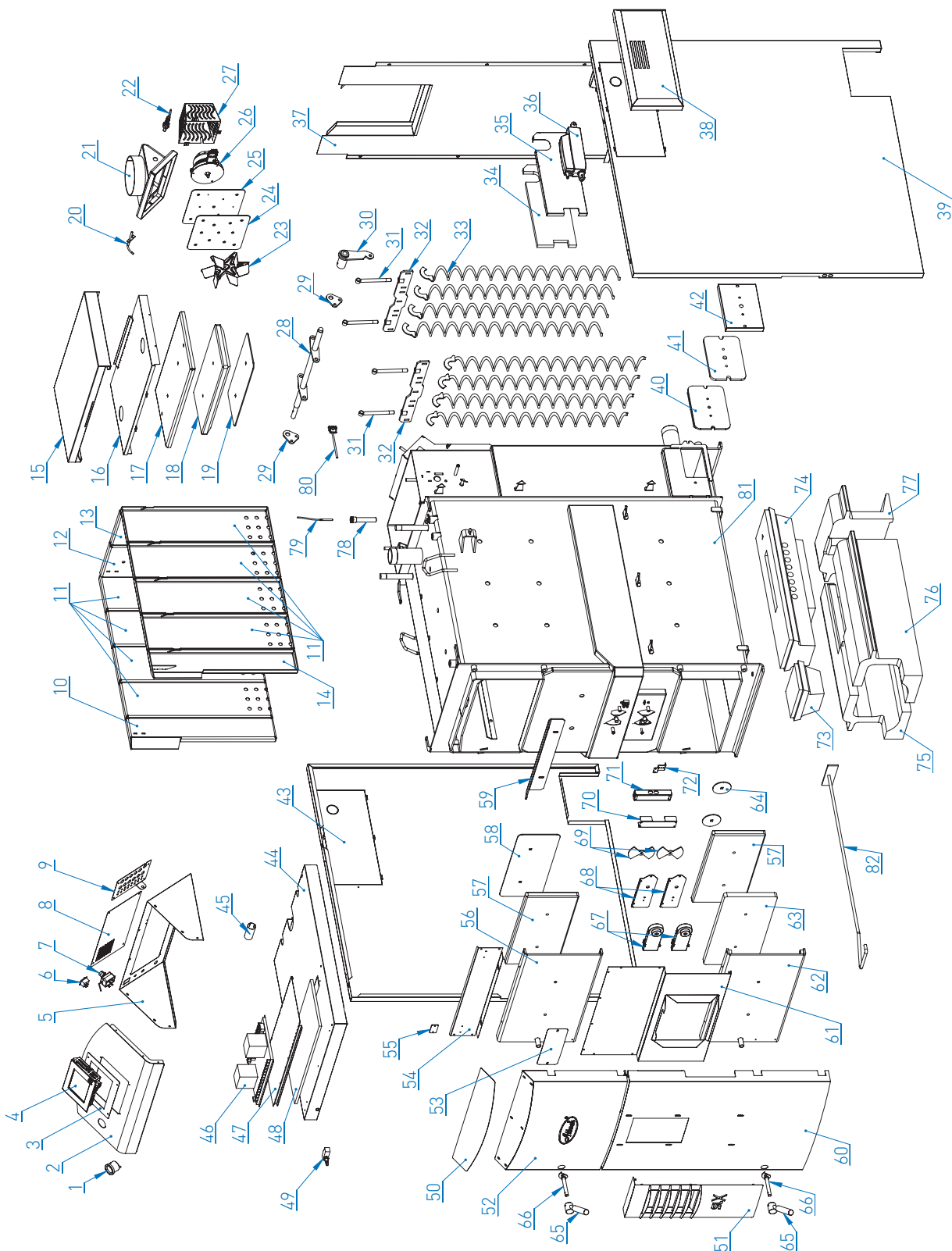
#	CODE	#	CODE
1	AT46C	42	DPO15006D
2	SL20935A	43	SL40028A
3	SL20092	44	SL40915
4	DPD25221	45	DPD25016A
5	SL20096A	46	DPD25220
6	TS095A	47	SL20107
7	OT19C	48	SL20108
8	SL20119A	49	ADF25478
9	SL20120	50	SL20932
10	SL40908A	51	SL20931
11	SL20022A	52	SL20928A
12	SL20913A	53	SL20111A
13	SL20912A	54	SL20097A
14	SL40909A	55	SL20124
15	SL40037	56	SL20926A
16	SL40039	57	DPD25030
17	SL40912	58	SL20121
18	DPD25030	59	SL20033
19	DPV25108	60	SL20927A
20	DPD25059	61	SL20098A
21	ADF25816	62	DPV25095A
22	DPD25223	63	SL20123
23	DPD40001	64	DPV95086
24	DPD25001B	65	DPD25420B
25	DPV45040	66	DPD25430
26	DPD25202D	67	DPD25216
27	DPD45005	68	SL20032
28	DPV15928	69	DPV25203
29	DPV45035A	70	SL20118A
30	SL40913	71	SL20095A
31	DPD25065	72	SL20129
32	DPV15921	73	DPT35004
33	SL20924	74	DPT45004
34	SL20130	75	DPP45103
35	SL20128A	76	DPP45104
36	H30810	77	DPP25104
37	SL20916A	78	DPD25011
38	SL20055B	79	ADF25602
39	SL40027A	80	DPD25110
40	DPV25500	81	SL40901
41	DPD15008A	82	DPD25005A



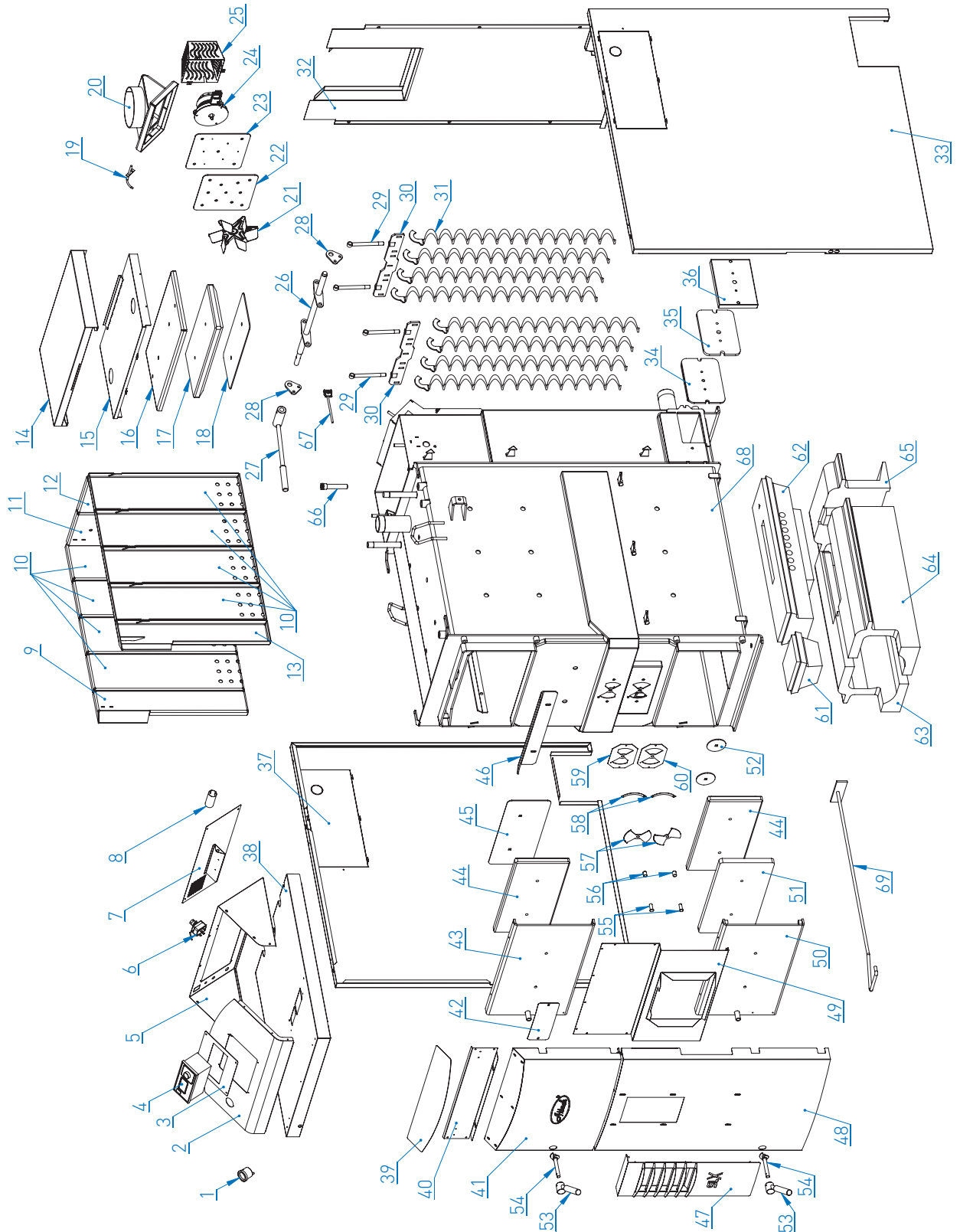
#	CODE	#	CODE
1	AT46C	36	DP015006D
2	SL20935A	37	SL40028A
3	SL20102	38	SL40915
4	DPD25073	39	SL20932
5	SL20096A	40	SL20097A
6	OT19C	41	SL20928A
7	SL20936A	42	SL20111A
8	DPD25016A	43	SL20926A
9	SL40908A	44	DPD25030
10	SL20022A	45	SL20121
11	SL20913A	46	SL20033
12	SL20912A	47	SL20931
13	SL40909A	48	SL20927A
14	SL40037	49	SL20098A
15	SL40039	50	DPV25095A
16	SL40912	51	SL20123
17	DPD25030	52	DPV95086
18	DPV25108	53	DPD25420B
19	DPD25059	54	DPD25430
20	SL20937	55	SP111
21	DPD40001	56	DPV25303
22	DPD25001B	57	SL20068
23	DPV45040	58	DK418
24	DPD25202D	59	SL20066
25	DPD45005	60	SL20067
26	DPV15928	61	DPT35004
27	DPV15924A	62	DPT45004
28	DPV45035A	63	DPP45103
29	DPD25065	64	DPP45104
30	DPV15921	65	DPP25104
31	SL20924	66	DPD25011
32	SL20916A	67	DPD25110
33	SL40027A	68	SL40901
34	DPV25500	69	DPC25005A
35	DPD15008A	70	



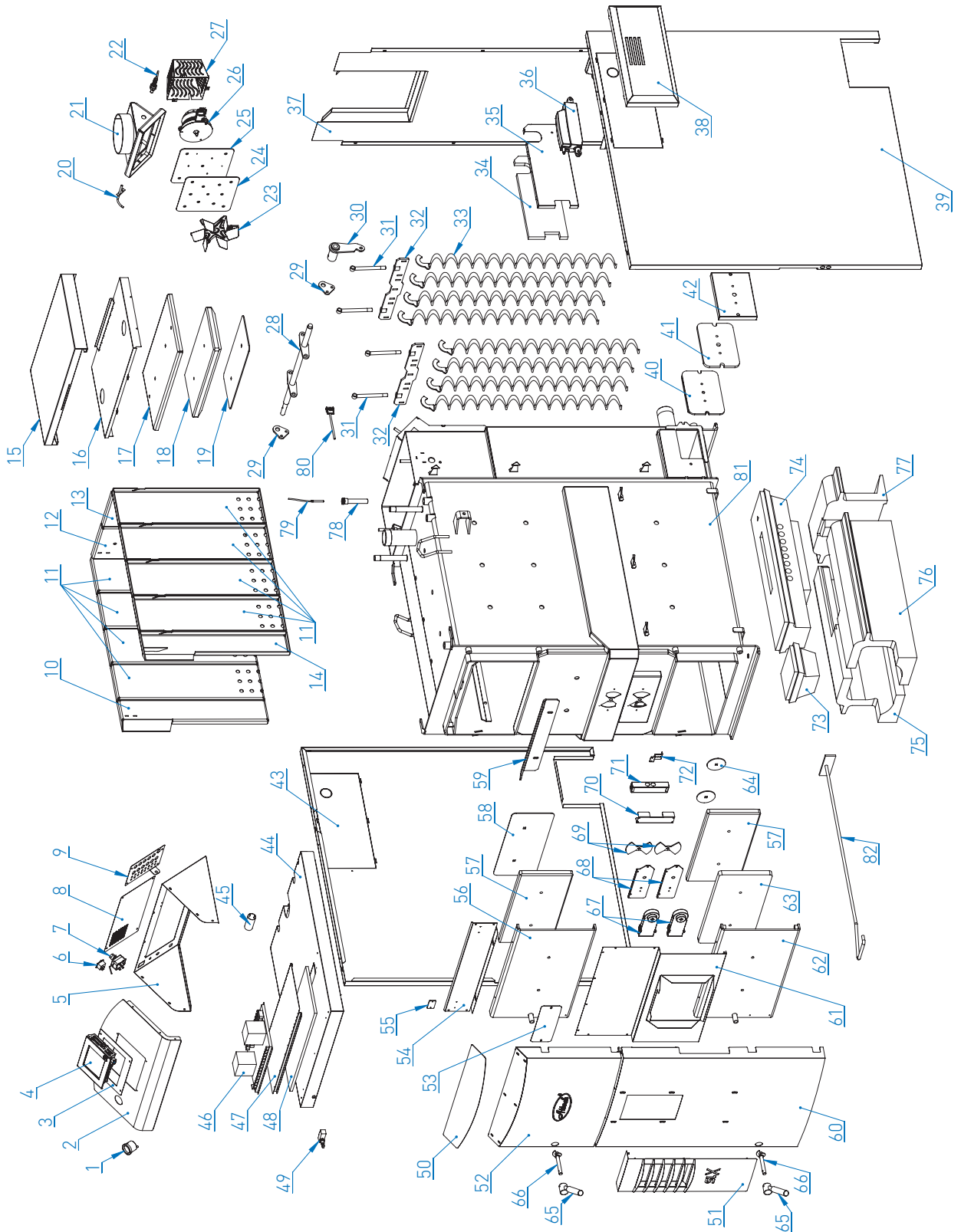
#	CODE	#	CODE
1	AT46C	42	DP015006D
2	SL20935A	43	SL40028A
3	SL20092	44	SL40915
4	DPD25221	45	DPD25016A
5	SL20096A	46	DPD25220
6	TS095A	47	SL20107
7	OT19C	48	SL20108
8	SL20119A	49	ADF25478
9	SL20120	50	SL20932
10	SL40908A	51	SL20931
11	SL20022A	52	SL20928A
12	SL20913A	53	SL20111A
13	SL20912A	54	SL20097A
14	SL40909A	55	SL20124
15	SL40037	56	SL20926A
16	SL40039	57	DPD25030
17	SL40912	58	SL20121
18	DPD25030	59	SL20033
19	DPV25108	60	SL20927A
20	DPD25059	61	SL20098A
21	ADF25816	62	DPV25095A
22	DPD25223	63	SL20123
23	DPD40001	64	DPV95086
24	DPD25001B	65	DPD25420B
25	DPV45040	66	DPD25430
26	DPD25202D	67	DPD25216
27	DPD45005	68	SL20032
28	DPV15928	69	DPV25203
29	DPV45035A	70	SL20118A
30	SL40913	71	SL20095A
31	DPD25065	72	SL20129
32	DPV15921	73	DPT35004
33	SL20924	74	DPT45004
34	SL20130	75	DPP45103
35	SL20128A	76	DPP45104
36	H30810	77	DPP25104
37	SL20916A	78	DPD25011
38	SL20055B	79	ADF25602
39	SL40027A	80	DPD25110
40	DPV25500	81	SL40901
41	DPD15008A	82	DPC25005A



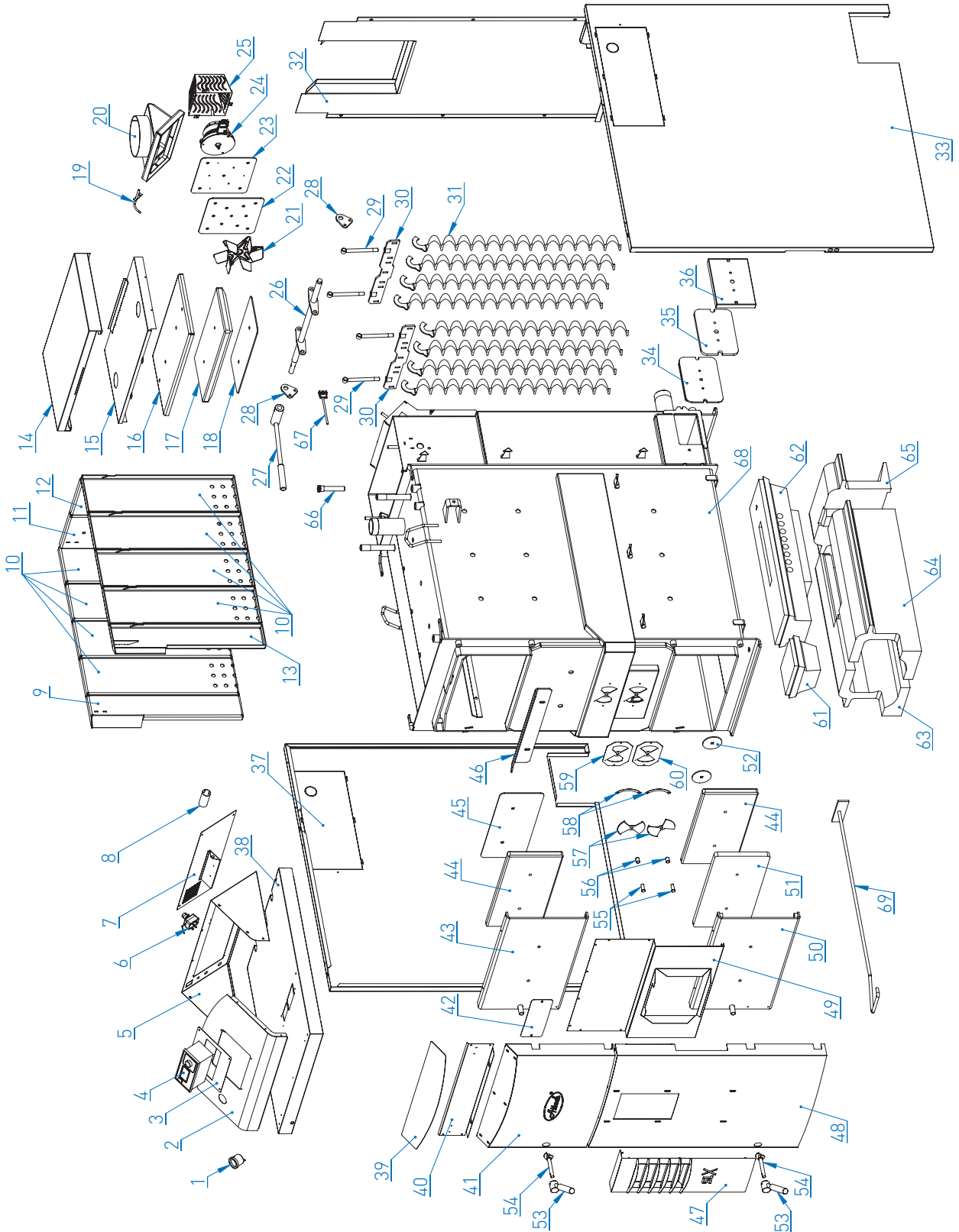
#	CODE	#	CODE
1	AT46C	36	DP015006D
2	SL20935A	37	SL40028A
3	SL20102	38	SL40915
4	DPD25073	39	SL20932
5	SL20096A	40	SL20097A
6	OT19C	41	SL20928A
7	SL20936A	42	SL20111A
8	DPD25016A	43	SL20926A
9	SL40908A	44	DPD25030
10	SL20022A	45	SL20121
11	SL20913A	46	SL20033
12	SL20912A	47	SL20931
13	SL40909A	48	SL20927A
14	SL40037	49	SL20098A
15	SL40039	50	DPV25095A
16	SL40912	51	SL20123
17	DPD25030	52	DPV95086
18	DPV25108	53	DPD25420B
19	DPD25059	54	DPD25430
20	SL20937	55	SP111
21	DPD40001	56	DPV25303
22	DPD25001B	57	SL20068
23	DPV45040	58	DK418
24	DPD25202D	59	SL20066
25	DPD45005	60	SL20067
26	DPV15928	61	DPT35004
27	DPV15924A	62	DPT45004
28	DPV45035A	63	DPP45103
29	DPD25065	64	DPP45104
30	DPV15921	65	DPP25104
31	ADF25921	66	DPD25011
32	SL20916A	67	DPD25110
33	SL40027A	68	SL40901
34	DPV25500	69	DPC25005A
35	DPD15008A	70	



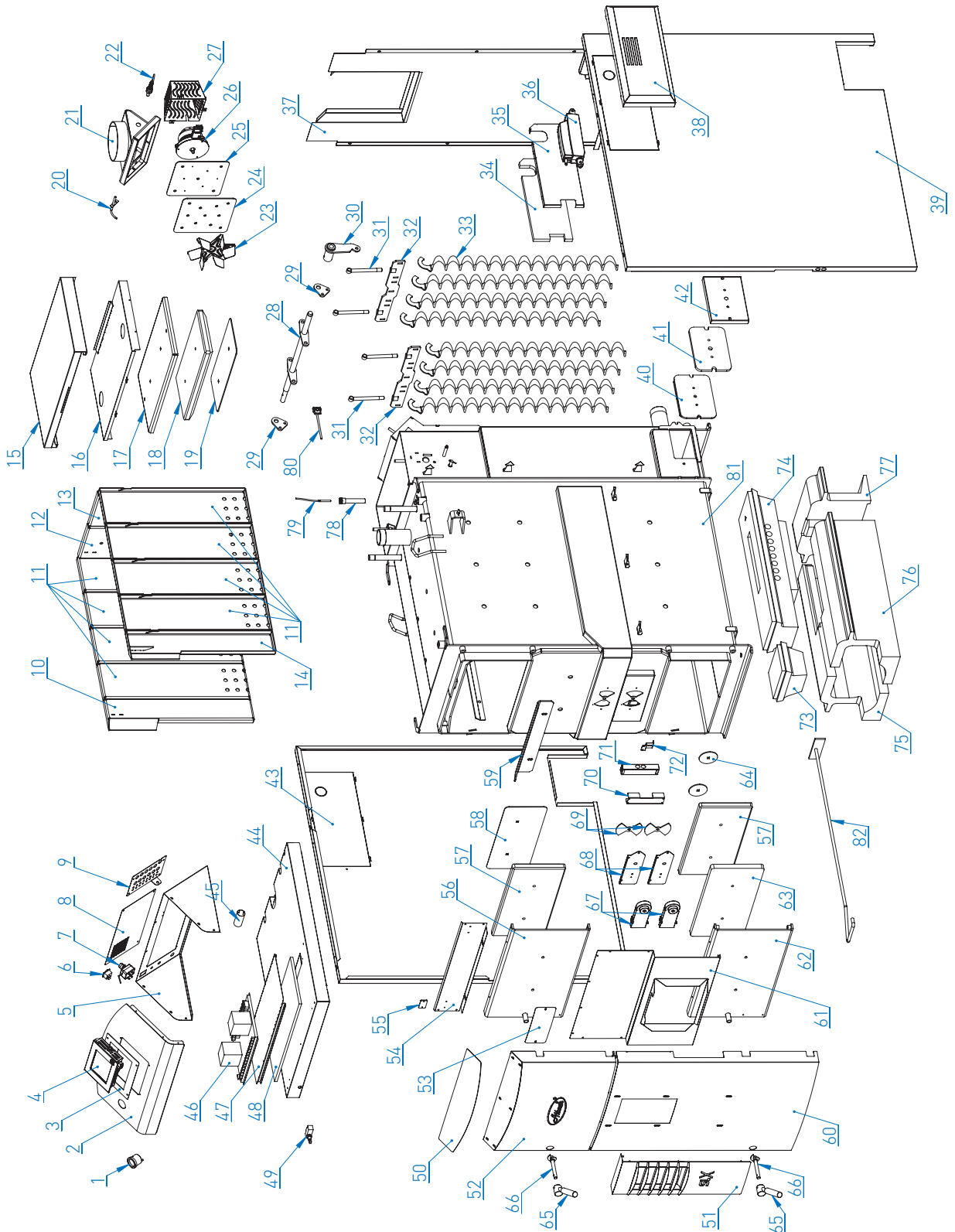
#	CODE	#	CODE
1	AT46C	42	DP015006D
2	SL20935A	43	SL40028A
3	SL20092	44	SL40915
4	DPD25221	45	DPD25016A
5	SL20096A	46	DPD25220
6	TS095A	47	SL20107
7	OT19C	48	SL20108
8	SL20119A	49	ADF5478
9	SL20120	50	SL20932
10	SL40908A	51	SL20931
11	SL20022A	52	SL20928A
12	SL20913A	53	SL20111A
13	SL20912A	54	SL20097A
14	SL40909A	55	SL20124
15	SL40037	56	SL20926A
16	SL40039	57	DPD25030
17	SL40912	58	SL20121
18	DPD25030	59	SL20033
19	DPV25108	60	SL20927A
20	DPD25059	61	SL20098A
21	ADF25816	62	DPV25095A
22	DPD25223	63	SL20123
23	DPD40001	64	DPV95086
24	DPD25001B	65	DPD25420B
25	DPV45040	66	DPD25430
26	DPD25202D	67	DPD25216
27	DPD45005	68	SL20032
28	DPV15928	69	DPV25203
29	DPV45035A	70	SL20118A
30	SL40913	71	SL20095A
31	DPD25065	72	SL20129
32	DPV15921	73	DPT35004
33	ADF25921	74	DPT45004
34	SL20130	75	DPP45103
35	SL20128A	76	DPP45104
36	H30810	77	DPP25104
37	SL20916A	78	DPD25011
38	SL20055B	79	ADF25602
39	SL40027A	80	DPD25110
40	DPV25500	81	SL40901
41	DPD15008A	82	DPD25005A



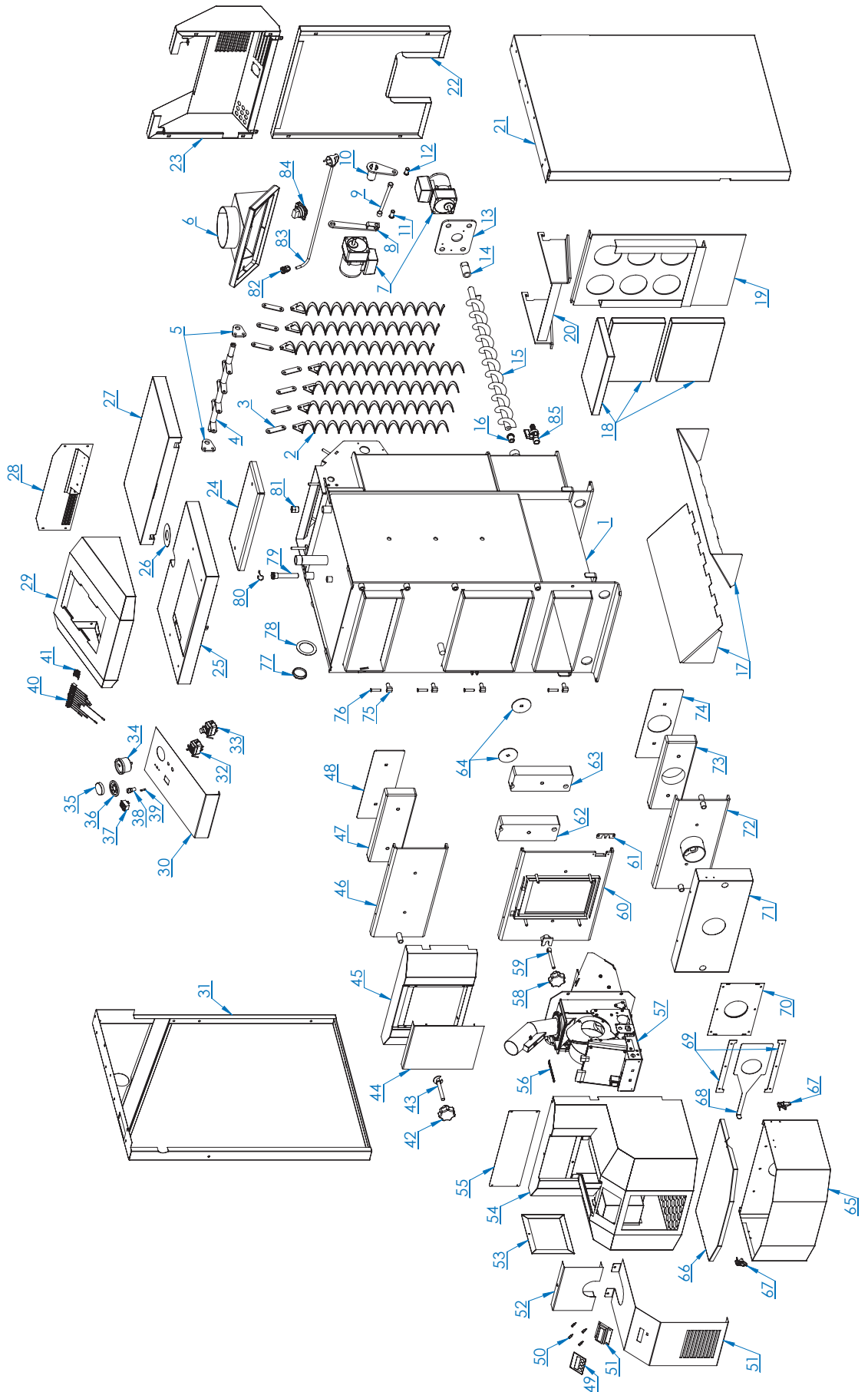
#	CODE	#	CODE
1	AT46C	36	DP015006D
2	SL20935A	37	SL40028A
3	SL20102	38	SL40915
4	DPD25073	39	SL20932
5	SL20096A	40	SL20097A
6	OT19C	41	SL20928A
7	SL20936A	42	SL20111A
8	DPD25016A	43	SL20926A
9	SL40908A	44	DPD25030
10	SL20022A	45	SL20121
11	SL20913A	46	SL20033
12	SL20912A	47	SL20931
13	SL40909A	48	SL20927A
14	SL40037	49	SL20098A
15	SL40039	50	DPV25095A
16	SL40912	51	SL20123
17	DPD25030	52	DPV95086
18	DPV25108	53	DPD25420B
19	DPD25059	54	DPD25430
20	SL20937	55	SP111
21	DPD40001	56	DPV25303
22	DPD25001B	57	SL20068
23	DPV45040	58	DK418
24	DPD25202D	59	SL20066
25	DPD45005	60	SL20067
26	DPV15928	61	DPT35004
27	DPV15924A	62	DPT45004
28	DPV45035A	63	DPP45103
29	DPD25065	64	DPP45104
30	DPV15921	65	DPP25104
31	SL20940	66	DPD25011
32	SL20916A	67	DPD25110
33	SL40027A	68	SL40901
34	DPV25500	69	DPC25005A
35	DPD15008A	70	



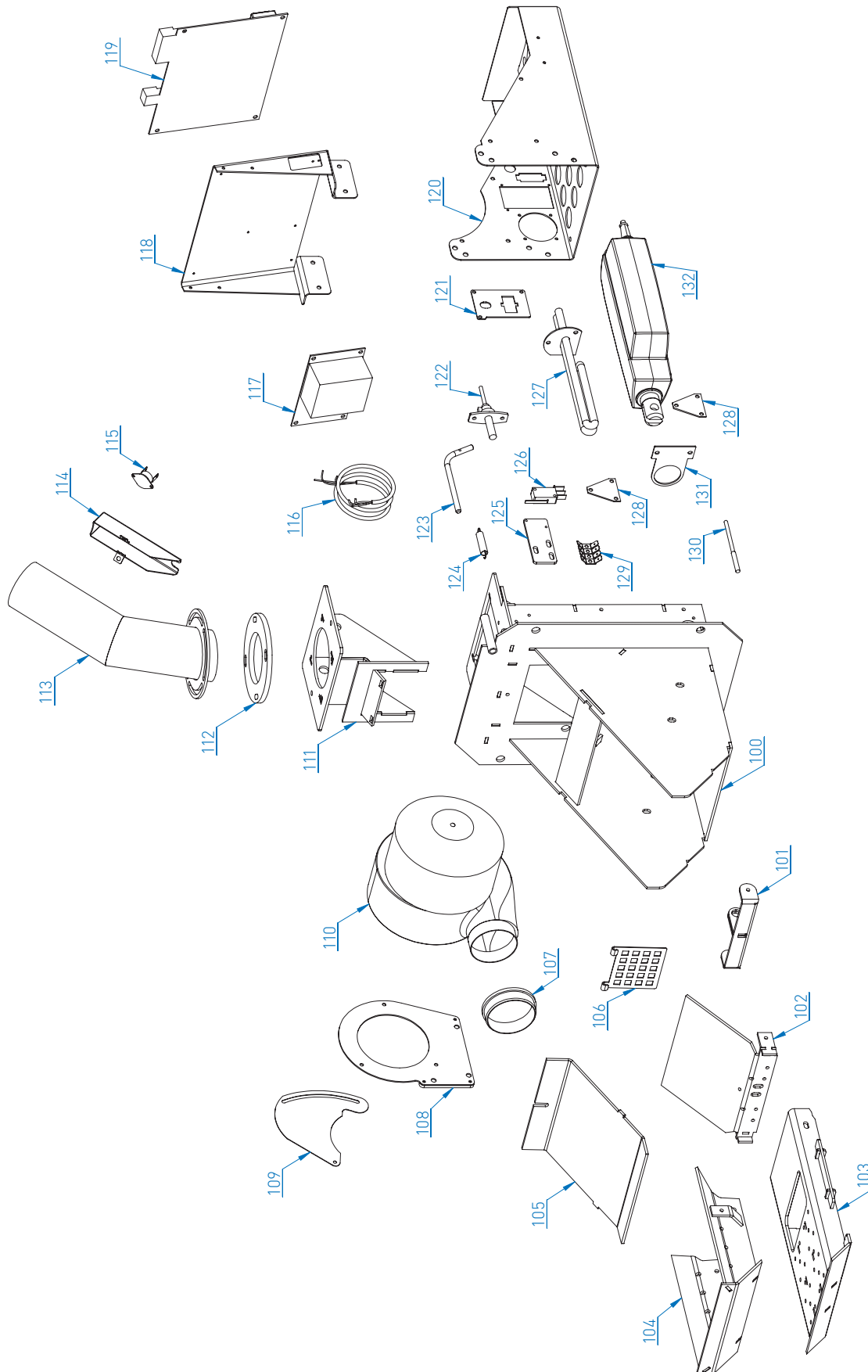
#	CODE	#	CODE
1	AT46C	42	DP015006D
2	SL20935A	43	SL40028A
3	SL20092	44	SL40915
4	DPD25221	45	DPD25016A
5	SL20096A	46	DPD25220
6	TS095A	47	SL20107
7	OT19C	48	SL20108
8	SL20119A	49	ADF25478
9	SL20120	50	SL20932
10	SL40908A	51	SL20931
11	SL20022A	52	SL20928A
12	SL20913A	53	SL20111A
13	SL20912A	54	SL20097A
14	SL40909A	55	SL20124
15	SL40037	56	SL20926A
16	SL40039	57	DPD25030
17	SL40912	58	SL20121
18	DPD25030	59	SL20033
19	DPV25108	60	SL20927A
20	DPD25059	61	SL20098A
21	ADF25816	62	DPV25095A
22	DPD25223	63	SL20123
23	DPD40001	64	DPV95086
24	DPD25001B	65	DPD25420B
25	DPV45040	66	DPD25430
26	DPD25202D	67	DPD25216
27	DPD45005	68	SL20032
28	DPV15928	69	DPV25203
29	DPV45035A	70	SL2018A
30	SL40913	71	SL20095A
31	DPD25065	72	SL20129
32	DPV15921	73	DPT35004
33	SL20940	74	DPT45004
34	SL20130	75	DPP45103
35	SL20128A	76	DPP45104
36	H30810	77	DPP25104
37	SL20916A	78	DPD25011
38	SL20055B	79	ADF25602
39	SL40027A	80	DPD25110
40	DPV25500	81	SL40901
41	DPD15008A	82	DPC25005A



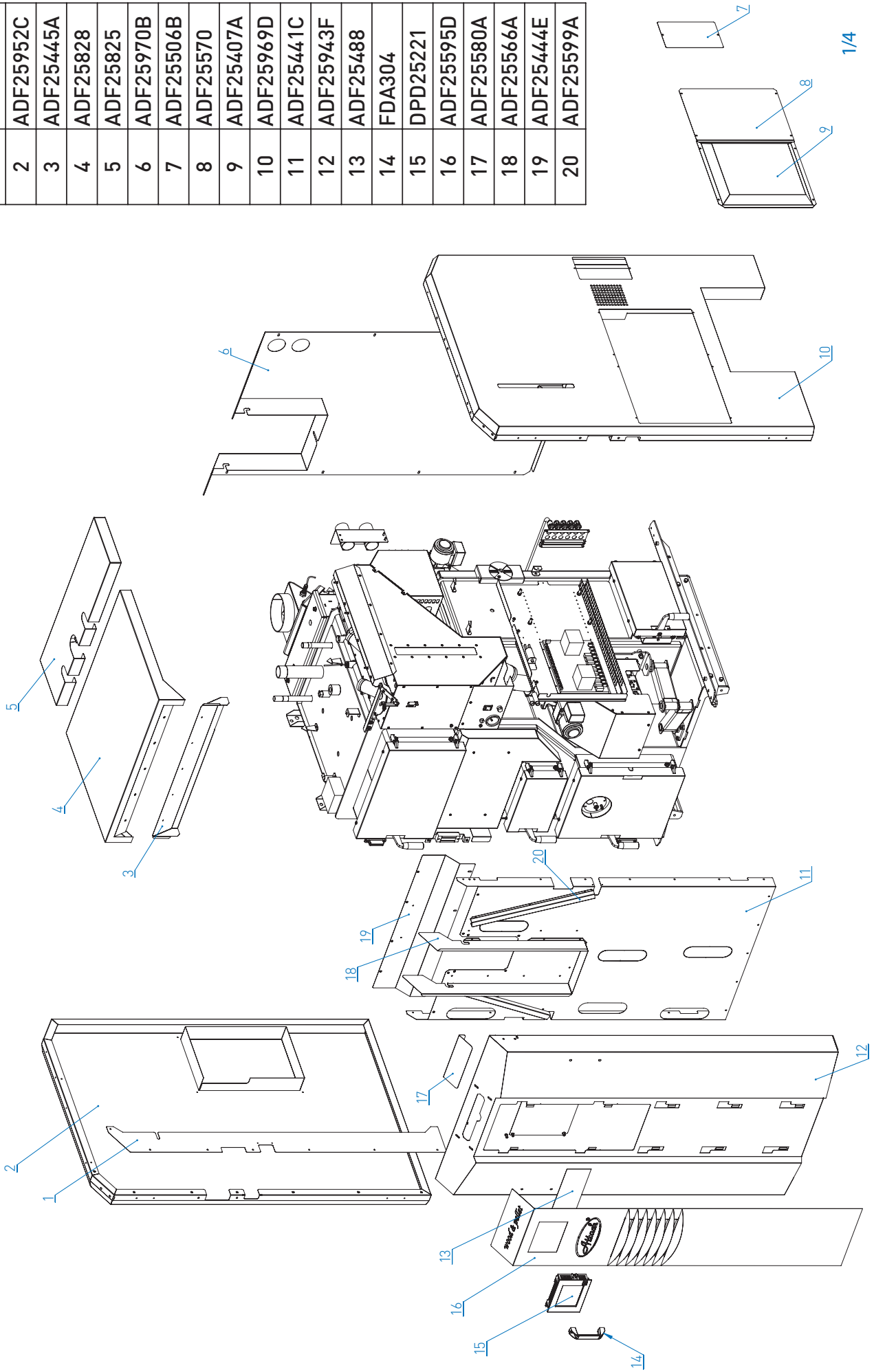
#	CODE	#	CODE	#	CODE	#	CODE	#	CODE	#	CODE	#	CODE	#	CODE	#	CODE	#	CODE	#	CODE	#	CODE	#	CODE	#	CODE	#	CODE	#	CODE	#	CODE	#	CODE	#	CODE	#	CODE
1	PEL30100A	9	PEL982	17	PEL0175	25	PEL30713	33	OT19C	41	TS118L	49	H30808	57	PELH30Plus																								
2	PEL994	10	PEL983	18	PEL0140A	26	PEL30715	34	OT19C	42	PEL30772	50	H30820	58	PEL30744																								
3	PEL068	11	PEL0180	19	PEL914A	27	PEL30714	35	DPD25009A	43	PEL30770	51	H30809	59	SP139																								
4	PEL980	12	PEL0179	20	PEL915A	28	PEL30707	36	DPD25010	44	PEL30718	52	PEL30723A	60	PEL30980C																								
5	PEL0107C	13	PEL30753	21	PEL30700	29	PEL30761	37	TH23A	45	PEL30720	53	PEL30725	61	PEL0182A																								
6	PEL945B	14	PEL30758	22	PEL30717	30	PEL30710	38	TH05	46	PEL98B	54	PEL30730A	62	PEL30756																								
7	PEL937	15	PEL991	23	PEL30716	31	PEL30703	39	TH06B	47	DPD25030U	55	PEL30738	63	PEL30757																								
8	PEL981	16	PEL30208B	24	PEL943	32	DPD25008A	40	PEL005B	48	PEL098	56	H30814	64	DPV95086																								



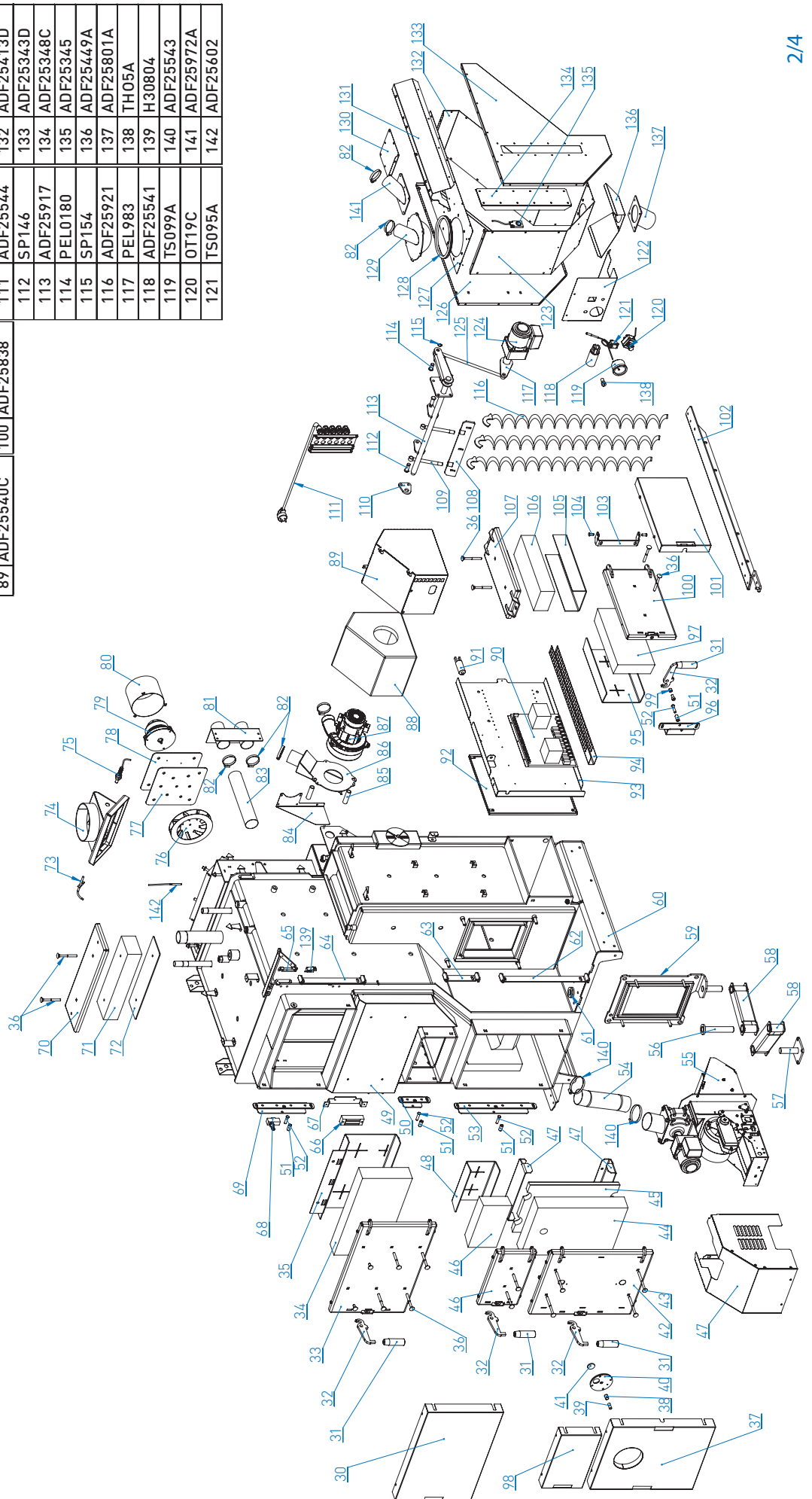
#	CODE
100	PELH30900A
101	H30921C
102	H30930A
103	H30920B
104	H30940A
105	H30001
106	H30009A
107	PR15
108	H30952
109	H30012A
110	H30982
111	H30961B
112	PELH30851
113	PELH30800A
114	PELH30807B
115	TS215
116	H30018
117	H30807
118	HP30900
119	H30806B
120	PELH30830A
121	PELH30843
122	H30803
123	H30118B
124	H30014
125	H30003A
126	H30804
127	H30980
128	H30008A
129	TS118L
130	H30813A
131	H30002
132	ADF25640



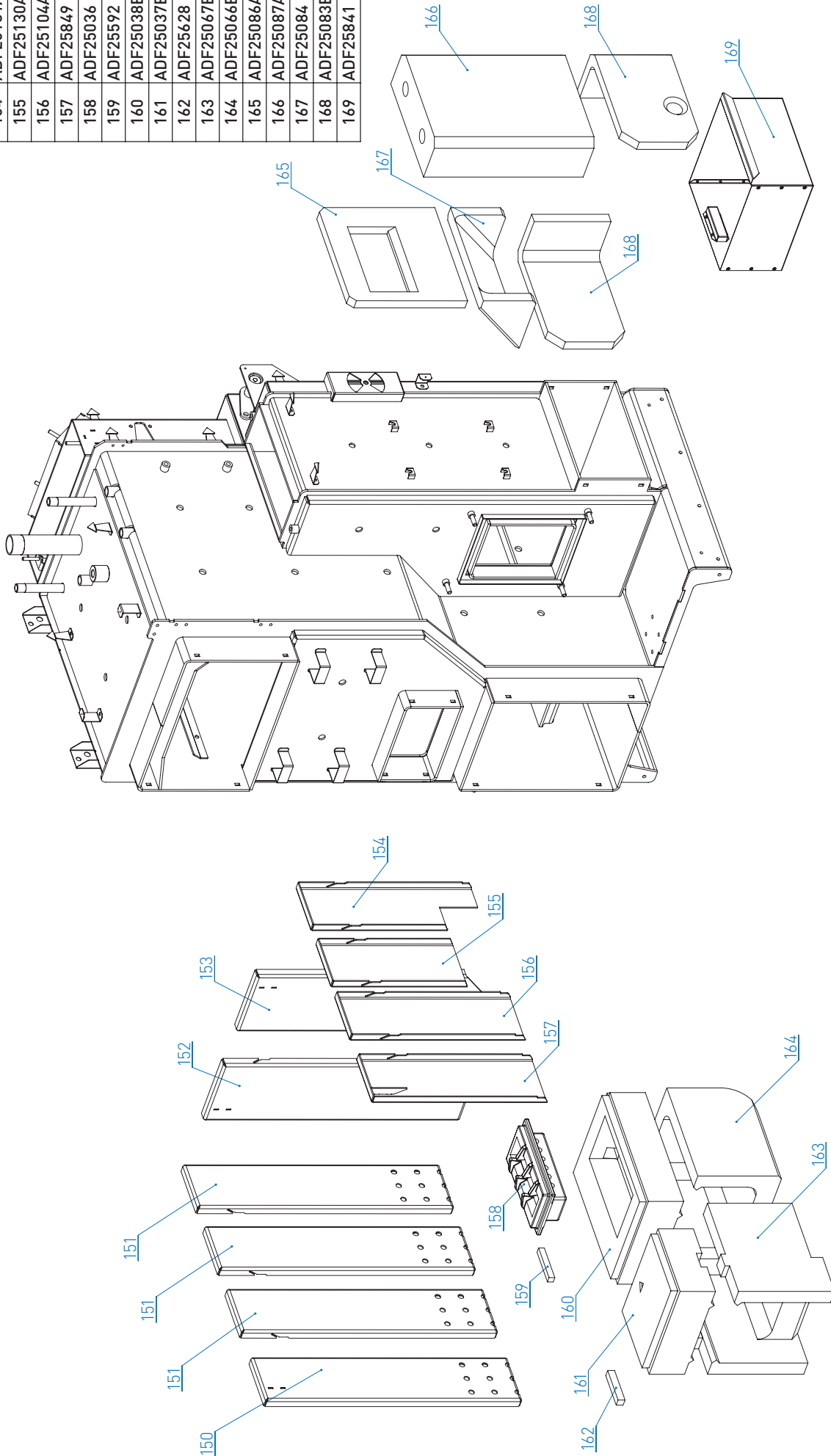
#	CODE
1	ADF25484B
2	ADF25952C
3	ADF25445A
4	ADF25828
5	ADF25825
6	ADF25970B
7	ADF25506B
8	ADF25570
9	ADF25407A
10	ADF25969D
11	ADF25441C
12	ADF25943F
13	ADF25488
14	FDA304
15	DPD25221
16	ADF25595D
17	ADF25580A
18	ADF25566A
19	ADF25444E
20	ADF25599A



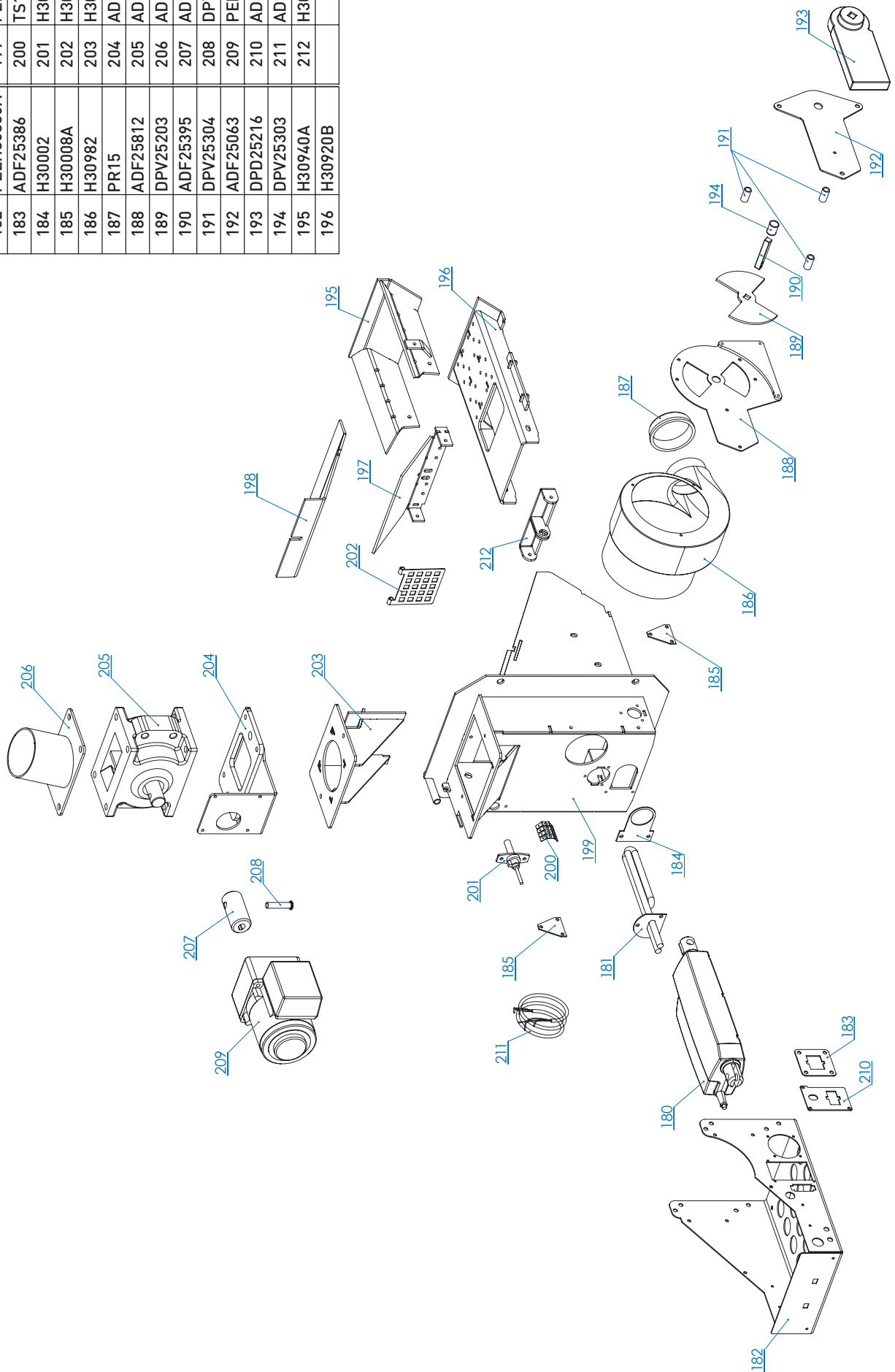
30	ADF25526A	39	ADF25585	49	ADF25524A	59	ADF25905	69	ADF25844	79	DPD25202	90	DPD25202	101	ADF25610	122	ADF25477C
31	ADF25301	40	ADF25808	50	ADF25845	60	ADF25901	70	ADF25984	80	DPD25202H	91	DPD25202E	102	ADF25460C	123	ADF25413D
32	ADF25299D	41	ADF25344	51	ADF25220A	61	ADF25486	71	ADF25188	81	ADF25830	92	ADF25632	103	ADF25597	124	PEL937
33	ADF25982A	42	ADF25955A	52	ADF25803	62	ADF25307A	72	ADF25189	82	ADF25618	93	ADF254510	104	ADF25308	125	ADF25924
34	ADF25111	43	SP199	53	ADF25846	63	ADF25303A	73	DPD25059	83	ADF25496	94	RE221	105	ADF25102	126	ADF25342D
35	ADF25806	44	ADF25091	54	ADF25350	64	ADF25312B	74	ADF25816	84	ADF25539A	95	ADF25613	106	ADF25101	127	ADF25439C
36	SP161	45	ADF25304A	55	PELH30ADF	65	HV200	75	ADF25223	85	DPV25103A	96	ADF25847	107	ADF25842	128	ADF25582
37	ADF25820	46	ADF25095	56	ADF25813	66	ADF25289	76	DPD45909B	86	ADF25819A	97	ADF25614	108	ADF25918	129	ADF25829
38	DPV25303	47	ADF25309	57	ADF25985	67	ADF25464	77	DPD25001B	87	ADF25980	98	ADF25528A	109	DPD25065	130	ADF25579
		48	ADF25096	58	ADF25904A	68	ADF25478	78	DPV25222	88	ADF25542	99	ADF25223	110	DPV45035A	131	ADF25440D
										89	ADF25540C	100	ADF25838	111	ADF25544	132	ADF25413D
														112	SP146	133	ADF25343D
														113	ADF25917	134	ADF25348C
														114	PEL0180	135	ADF25345
														115	SP154	136	ADF25449A
														116	ADF25921	137	ADF25801A
														117	PEL983	138	TH05A
														118	ADF25541	139	H30804
														119	TS099A	140	ADF25543
														120	OT19C	141	ADF25972A
														121	TS095A	142	ADF25602

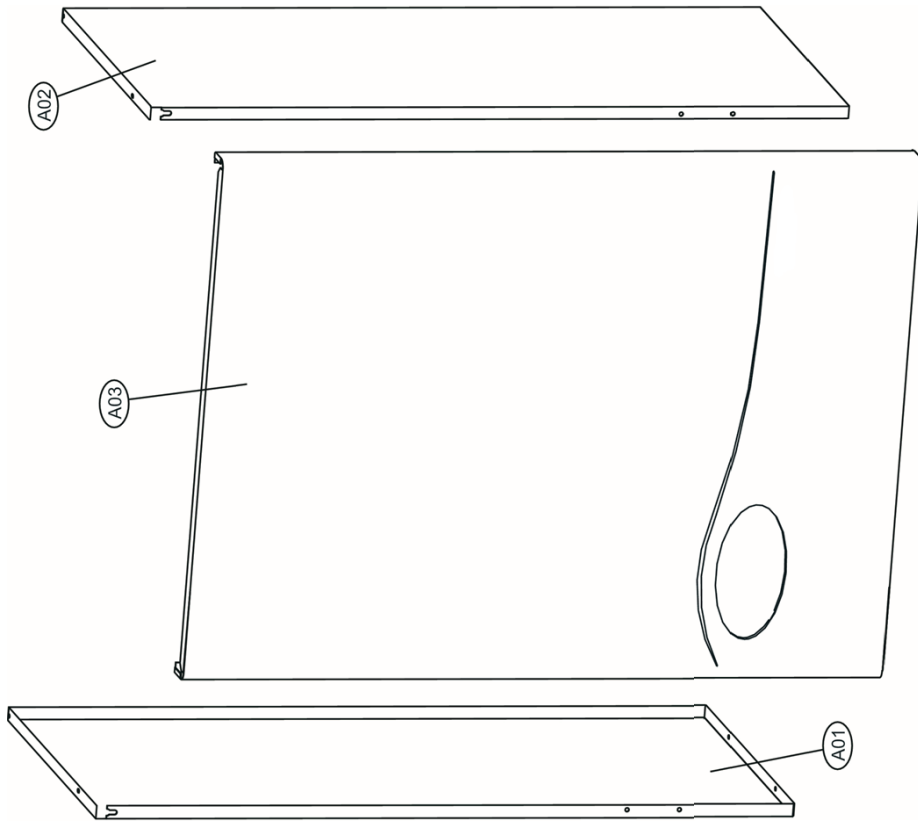


#	CODE
150	ADF25848
151	ADF25128C
152	ADF25851
153	ADF25850
154	ADF25131A
155	ADF25130A
156	ADF25104A
157	ADF25849
158	ADF25036
159	ADF25592
160	ADF25038B
161	ADF25037B
162	ADF25628
163	ADF25067B
164	ADF25066B
165	ADF25086A
166	ADF25087A
167	ADF25084
168	ADF25083B
169	ADF25841



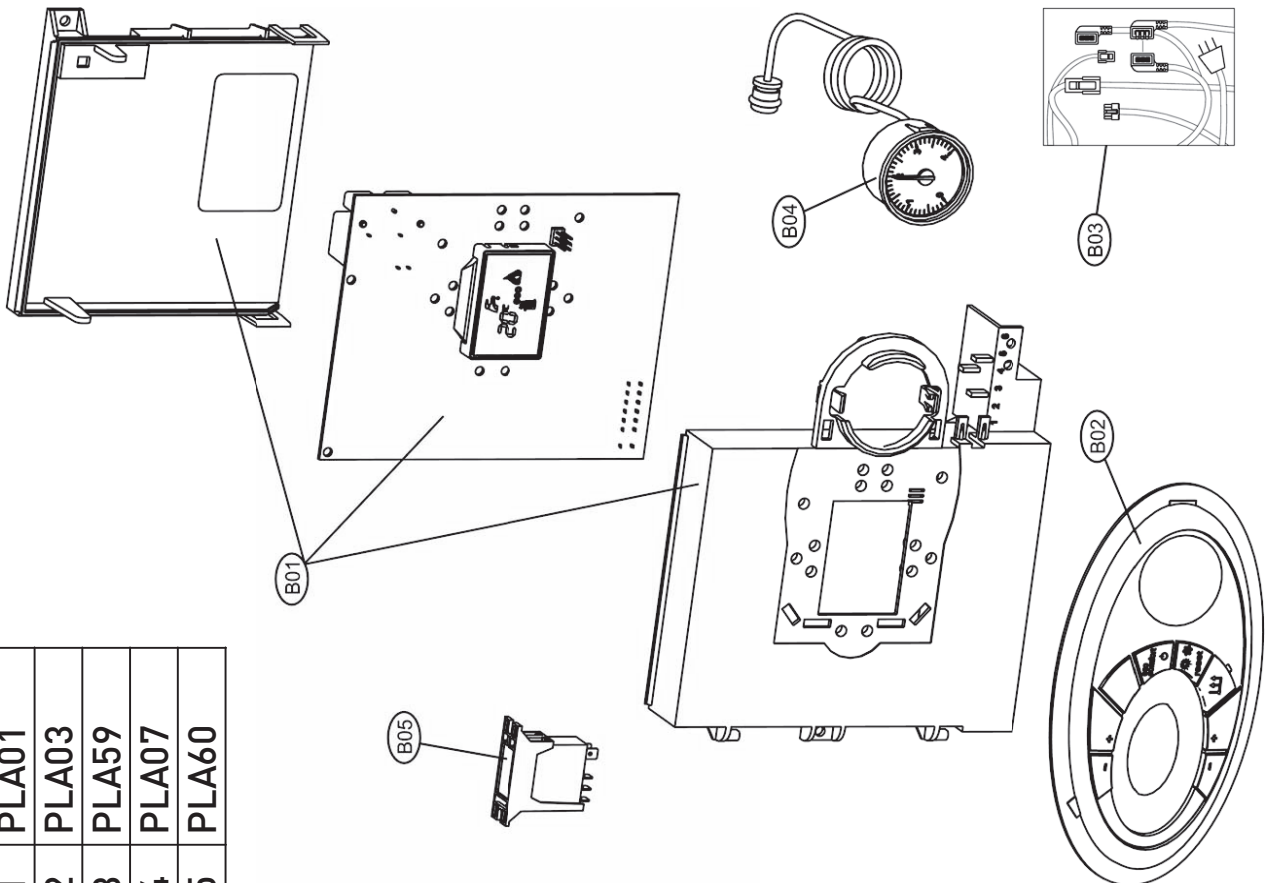
#	CODE	#	CODE
180	ADF25640	197	H30930A
181	H30980	198	H30001
182	PELH30830A	199	PELH30900A
183	ADF25386	200	TS118L
184	H30002	201	H30803
185	H30008A	202	H30009A
186	H30982	203	H30961B
187	PR15	204	ADF25802A
188	ADF25812	205	ADF25230
189	DPV25203	206	ADF25996C
190	ADF25395	207	ADF25459
191	DPV25304	208	DPV25803
192	ADF25063	209	PEL937
193	DPD25216	210	ADF25518
194	DPV25303	211	ADF25608
195	H30940A	212	H30921C
196	H30920B		



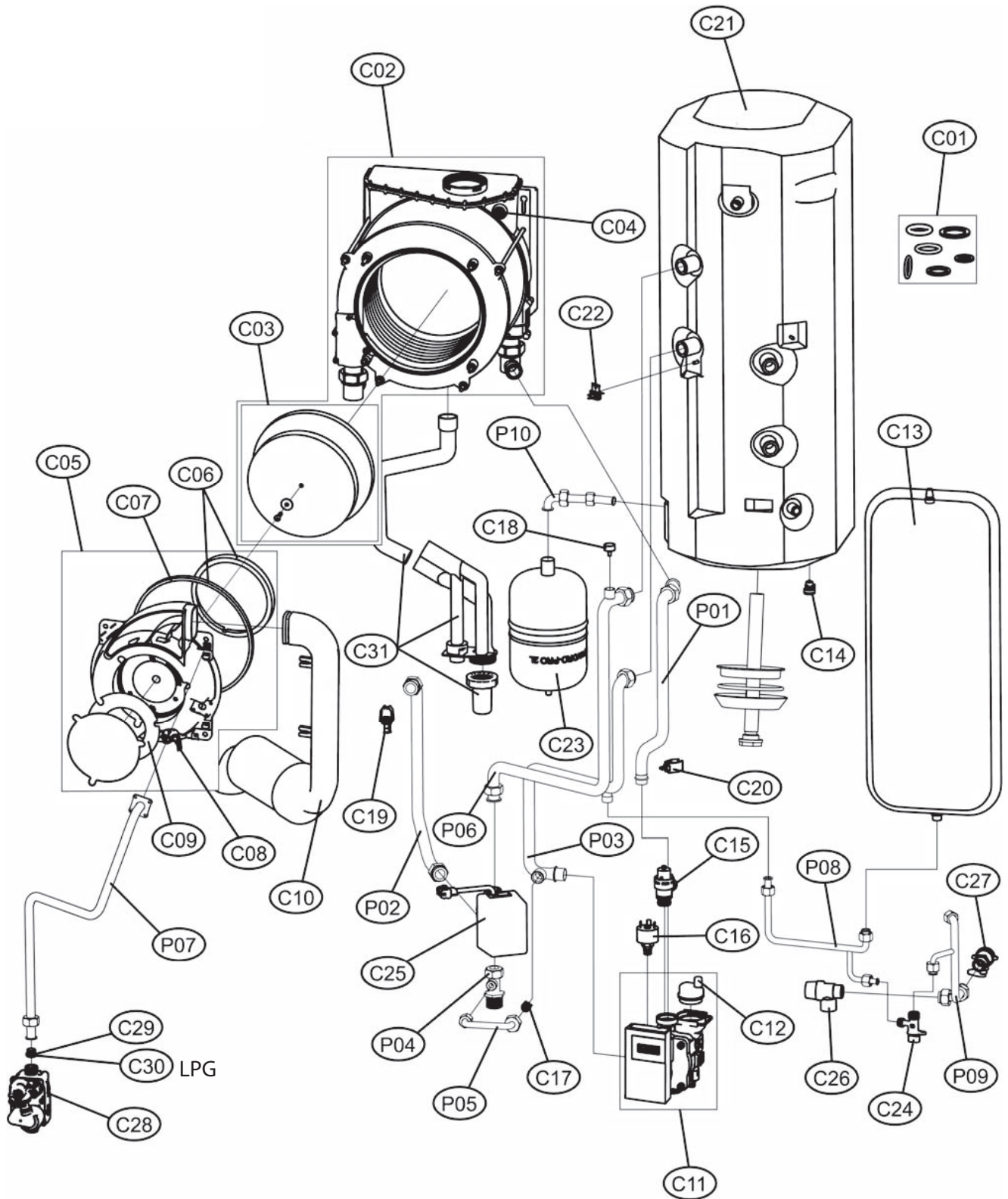


#	CODE
A01	PLA56
A02	PLA57
A03	PLA58

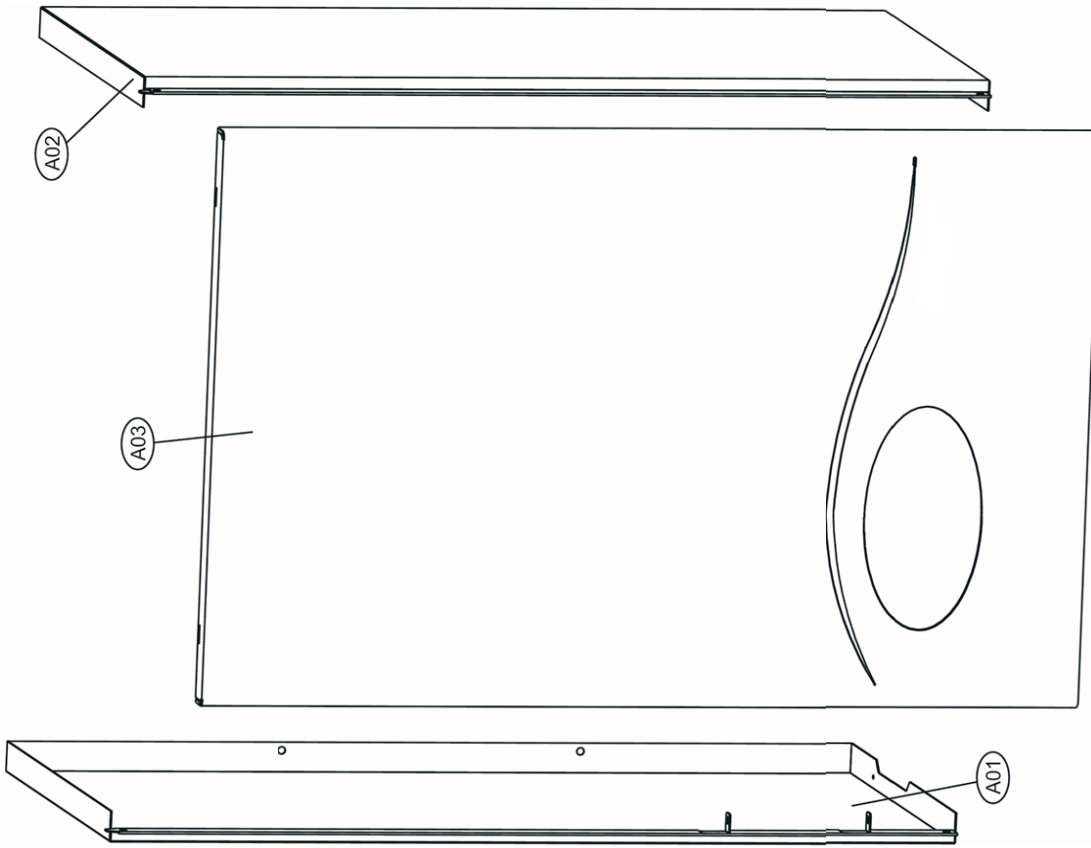
# ATTACK KZT Plus



#	CODE
B01	PLA01
B02	PLA03
B03	PLA59
B04	PLA07
B05	PLA60

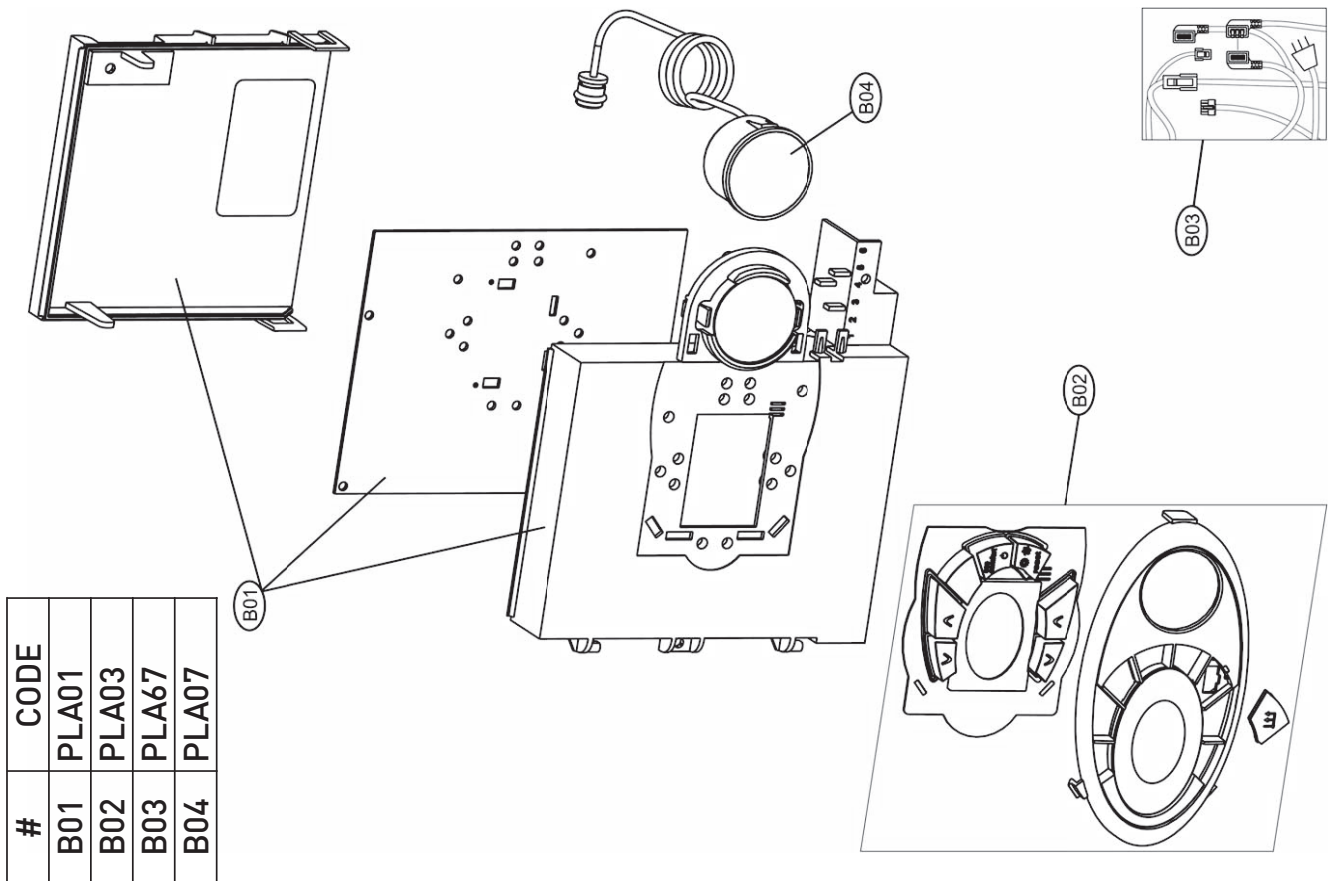


#	CODE	#	CODE	#	CODE	#	CODE	#	CODE
C01	PLA08	C10	PLA19	C18	PLA26	C26	PL81	P03	PLA37
C02	PLA11	C11	PLA61	C19	PL77	C27	PL108	P04	PLA41
C03	PLA12	C12	PL29	C20	PL23	C28	PLA29	P05	PLA42
C04	PLA13	C13	PLA21	C21	PLA28	C29	PLA62	P06	PLA46
C05	PLA14	C14	PL107	C22	PL25	C30	PLA30	P07	PLA47
C06	PLA15	C15	PL26	C23	PL76	C31	PLA63	P08	PLA48
C07	PLA16	C16	PL27	C24	PLA23	P01	PLA33	P09	PLA49
C08	PLA17	C17	PL37	C25	PLA32	P02	PLA36	P10	PLA50
C09	PLA18								

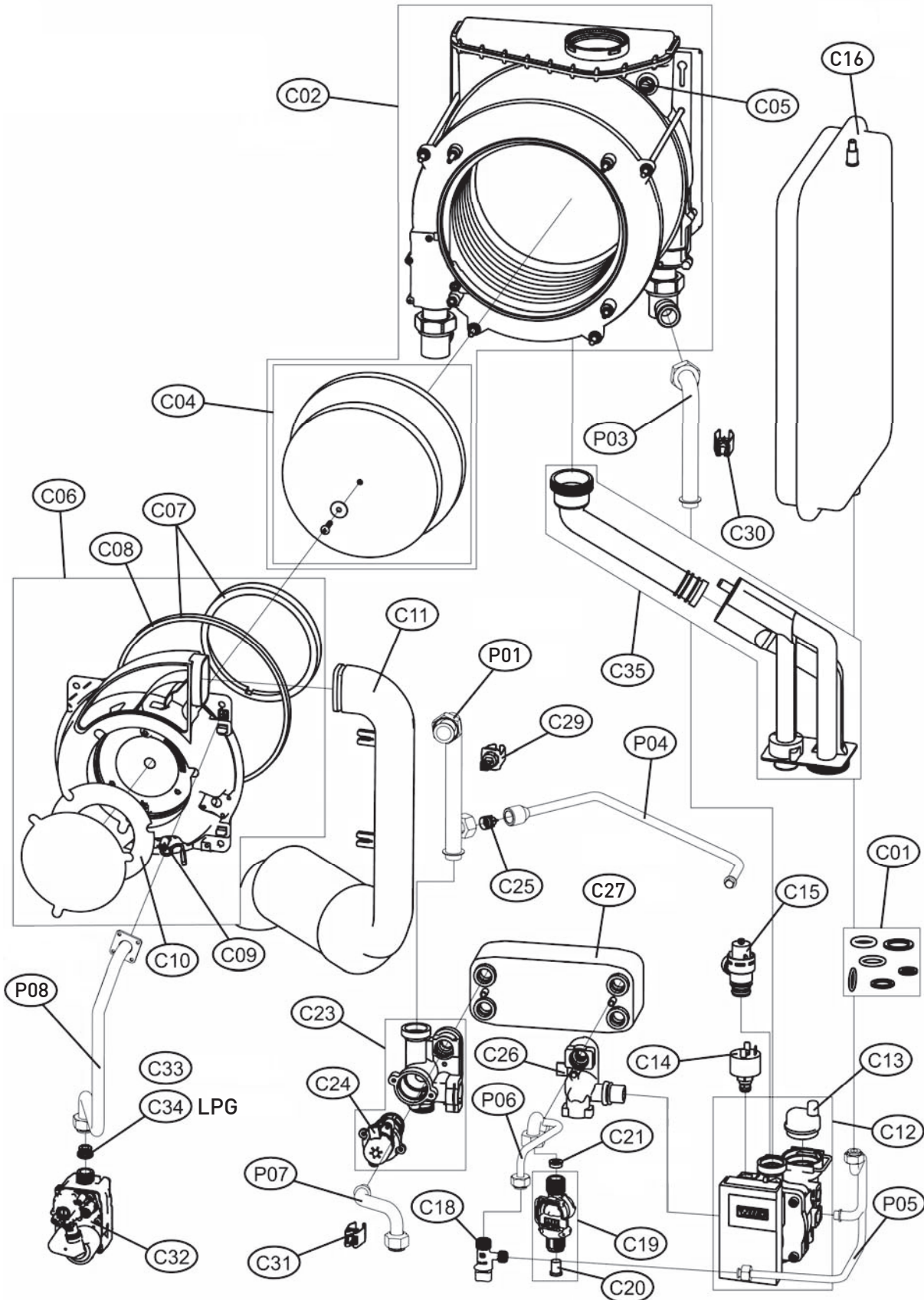


#	CODE
A01	PLA64
A02	PLA65
A03	PLA66

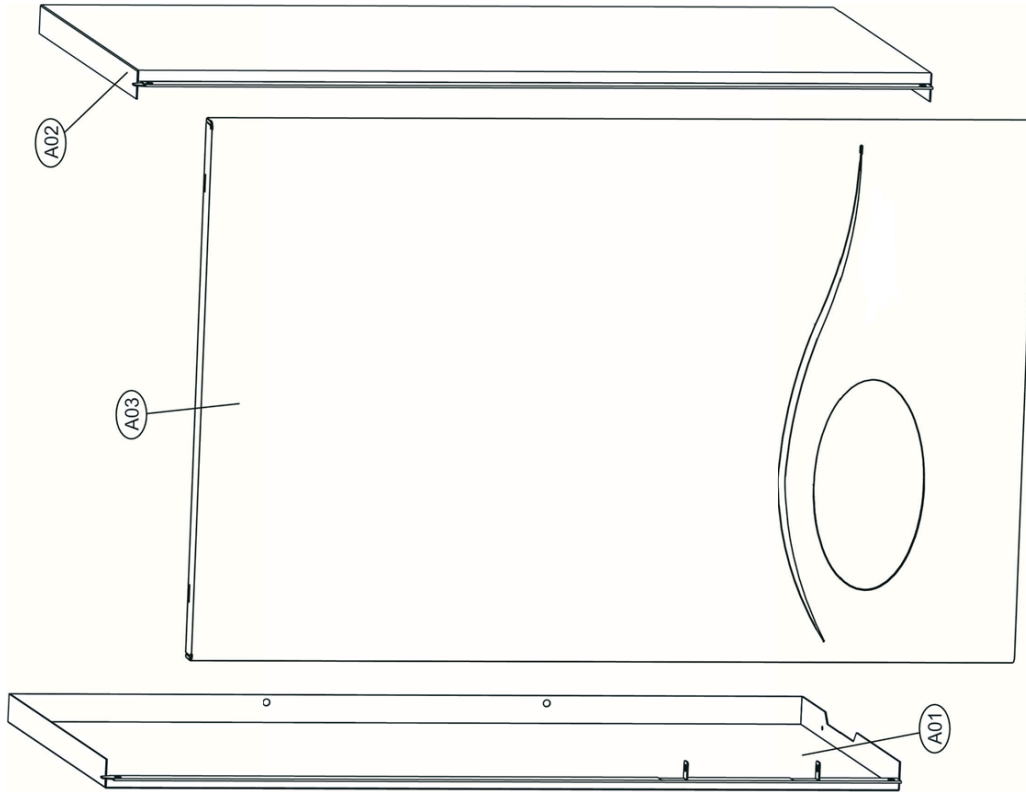
# ATTACK KST Plus



#	CODE
B01	PLA01
B02	PLA03
B03	PLA67
B04	PLA07

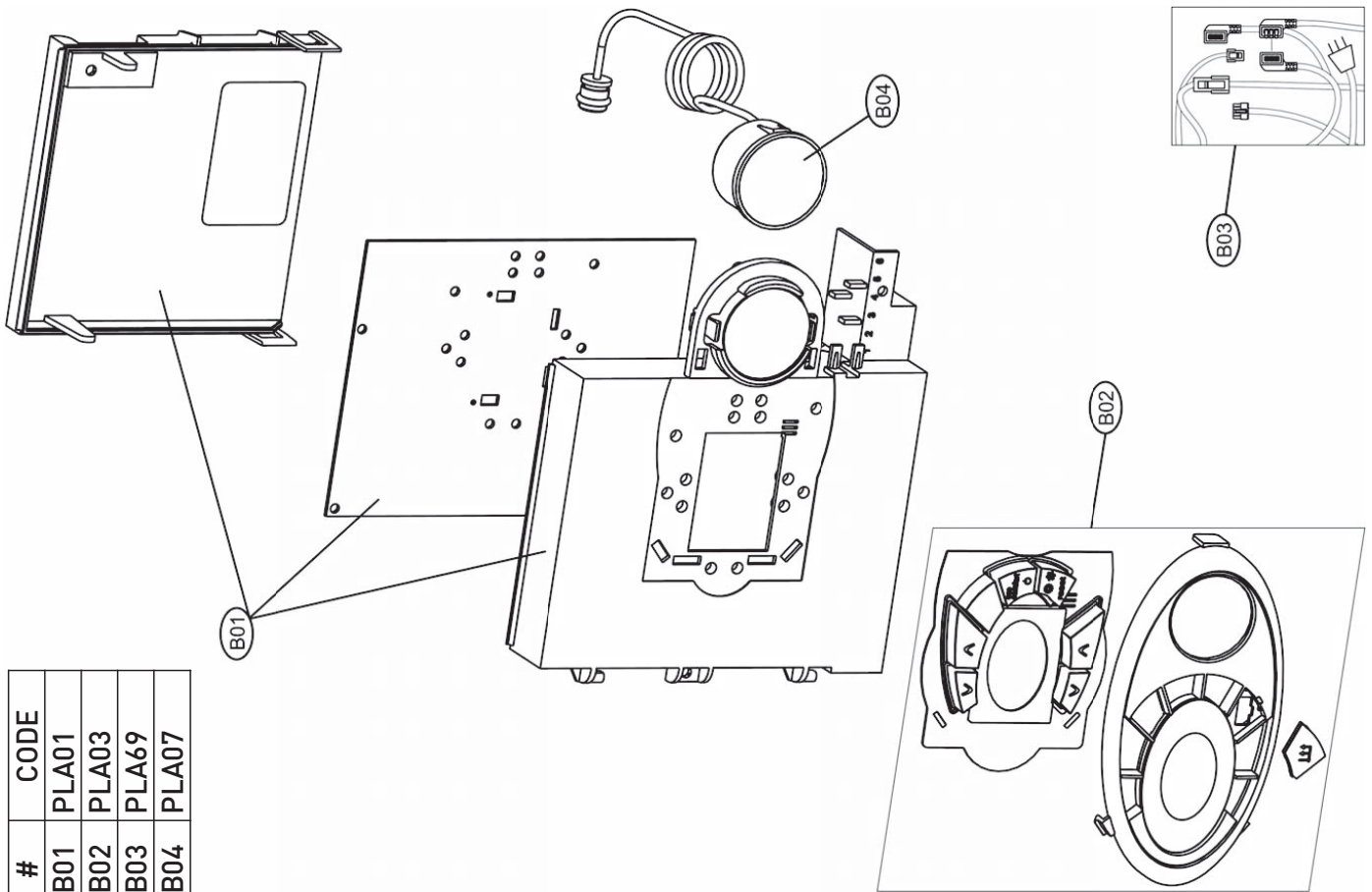


#	CODE	#	CODE	#	CODE	#	CODE	#	CODE
C01	PLA68	C10	PLA18	C19	PLA24	C29	PL77	P01	PLA40
C02	PLA11	C11	PLA19	C20	PLA25	C30	PL23	P03	PLA35
C04	PLA12	C12	PLA61	C21	PL82	C31	PL24	P04	PLA38
C05	PLA13	C13	PL29	C23	PL31	C32	PLA29	P05	PLA40
C06	PLA14	C14	PL27	C24	PL295	C33	PLA62	P06	PLA43
C07	PLA15	C15	PL26	C25	PL37	C34	PLA30	P07	PLA45
C08	PLA16	C16	PLA22	C26	PL288	C35	PLA63	P08	PLA44
C09	PLA17	C18	PLA23	C27	PL289				

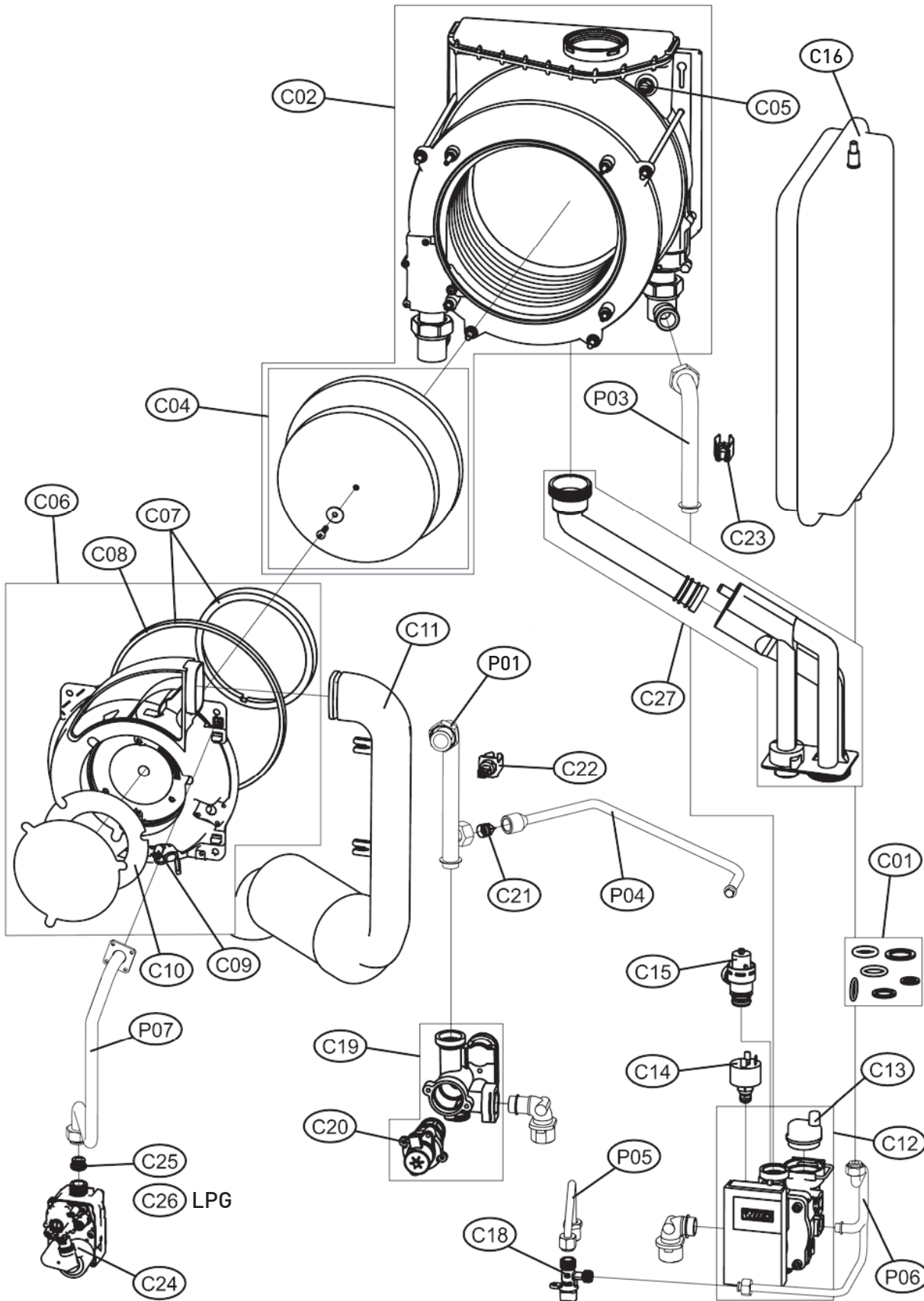


#	CODE
A01	PLA64
A02	PLA65
A03	PLA66

# ATTACK KT Plus, KT Small Plus

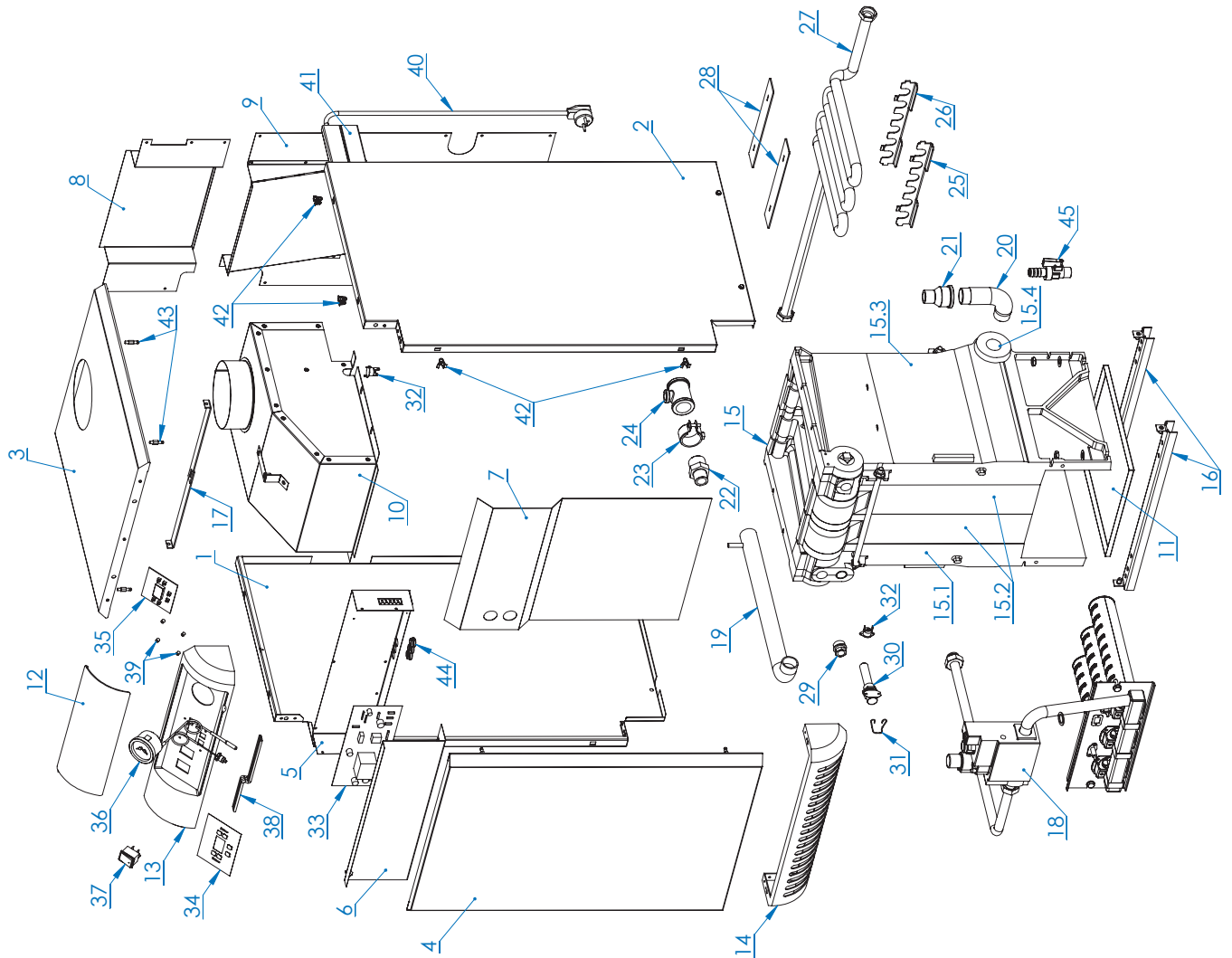


#	CODE
B01	PLA01
B02	PLA03
B03	PLA69
B04	PLA07

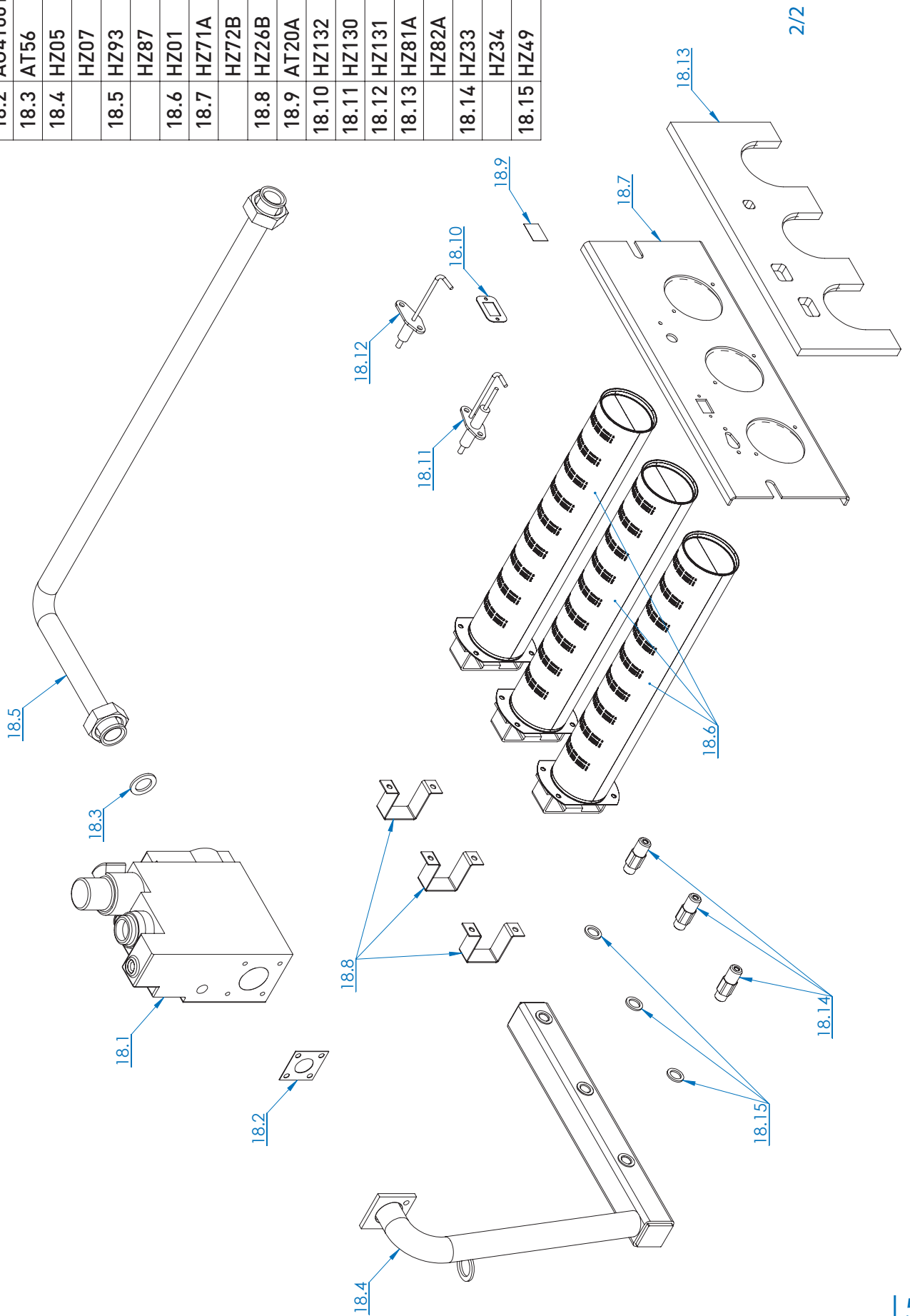


#	CODE
C01	PLA09
C02	PLA11
C04	PLA12
C05	PLA13
C06	PLA14
C07	PLA15
C08	PLA16
C09	PLA17
C10	PLA18
C11	PLA19
C12	PLA61
C13	PL29
C14	PL27
C15	PL26
C16	PLA22
C18	PLA23
C19	PL30
C20	PL295
C21	PL37
C22	PL77
C23	PL23
C24	PLA29
C25	PLA62
C26	PLA30
C27	PLA63
P01	PLA34
P03	PLA35
P04	PLA38
P05	PLA39
P06	PLA40
P07	PLA44

#	CODE	[kW]	#	CODE	[kW]
1	TS001D	15-30	18		
2	TS002B	15-30	19	TS067B	15-30
3	TS008A	15, 20	20	TS068	15-30
4	TS009	25, 30	21	TS555	15-30
5	TS013	15, 20	22	TS556	15-30
6	TS014	25, 30	23	TS557	15-30
7	TS535	15, 20	24	TS554	15-30
8	TS536	25, 30	25	TS080	15, 20
9	TS538	15, 20		TS079	25, 30
10	TS540	25, 30	26	TS080A	15, 20
11	TS024	15, 20		TS079A	25, 30
12	TS025	25, 30	27	TS081	15, 20
13	TS035C	15, 20		TS082	25, 30
14	TS036B	25, 30	28	TS224	15, 20
15	TS041C	15, 20		TS223	25, 30
16	TS042C	25, 30	29	OT11	15-30
17	TS030C	15, 20	30	TS102	15-30
18	TS031C	25, 30	31	TS106	15-30
19	TS047	15, 20	32	TH27A	15
20	TS048	25, 30		TS215	15-30
21	TS083	15-30	33	RZ21	15-30
22	TS220	15, 20	34	RZ41A	15-30
23	TS221	25, 30	35	RZ22	15-30
24	TS087	15, 20	36	TS099	15-30
25	TS088	25, 30	37	TS095	15-30
26	TS062	15, 20	38	RZ21A	15-30
27	TS063	25, 30	39	HV65	15-30
28	TS146	15-30	40	TS091	15-30
29	TS147	15-30	41	TS107	15-30
30	TS145	15-30	42	TS122	15-30
31	SR47B	15-30	43	TS123	15-30
32	TS052	15, 20	44	TS094	15-30
33	TS053	25, 30	45	TS103	15-30
34	TS140A	15, 20			
35	TS140B	25, 30			

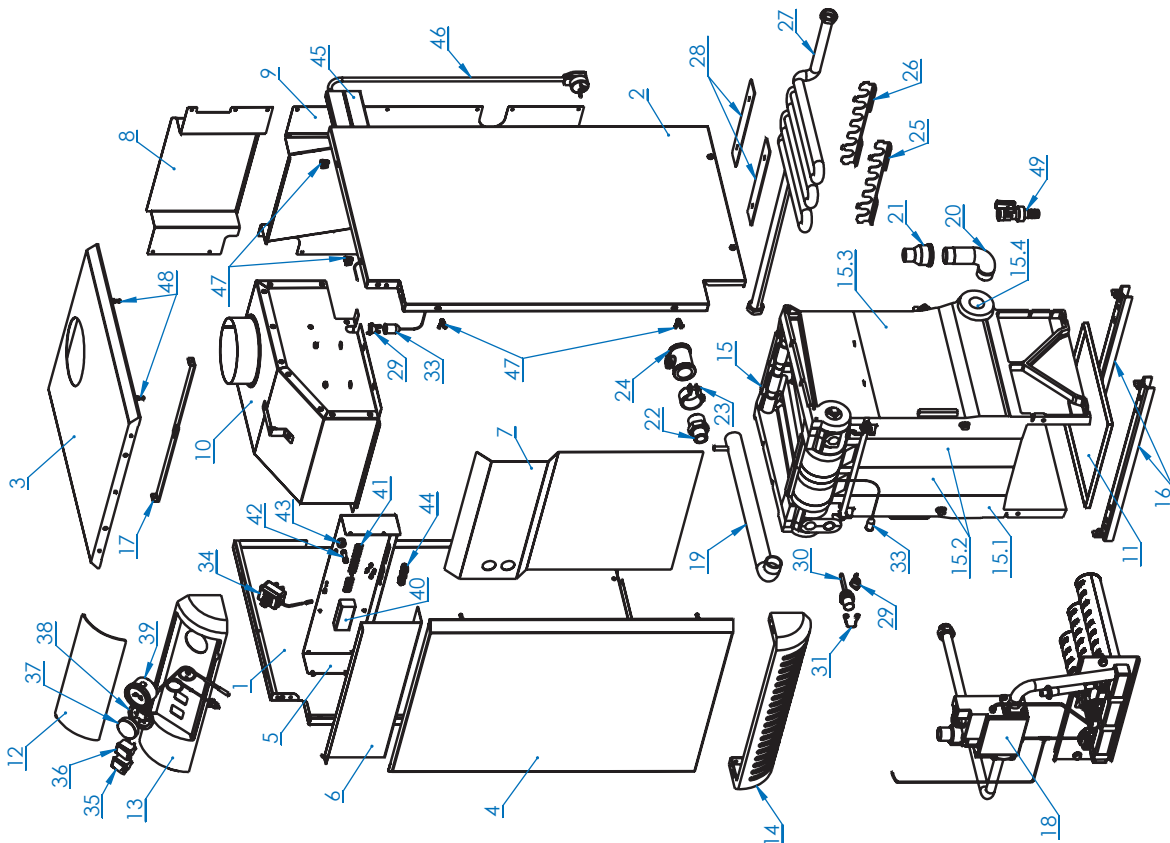


#	CODE	[kW]
18.1	AU4105MR	15-30
18.2	AU4100T	15-30
18.3	AT56	15-30
18.4	HZ05	15, 20
	HZ07	25, 30
18.5	HZ93	15, 20
	HZ87	25, 30
18.6	HZ01	15-30
18.7	HZ71A	15, 20
	HZ72B	25, 30
18.8	HZ26B	15-30
18.9	AT20A	15-30
18.10	HZ132	15-30
18.11	HZ130	15-30
18.12	HZ131	15-30
18.13	HZ81A	15, 20
	HZ82A	25, 30
18.14	HZ33	15, 25
	HZ34	20, 30
18.15	HZ49	15-30

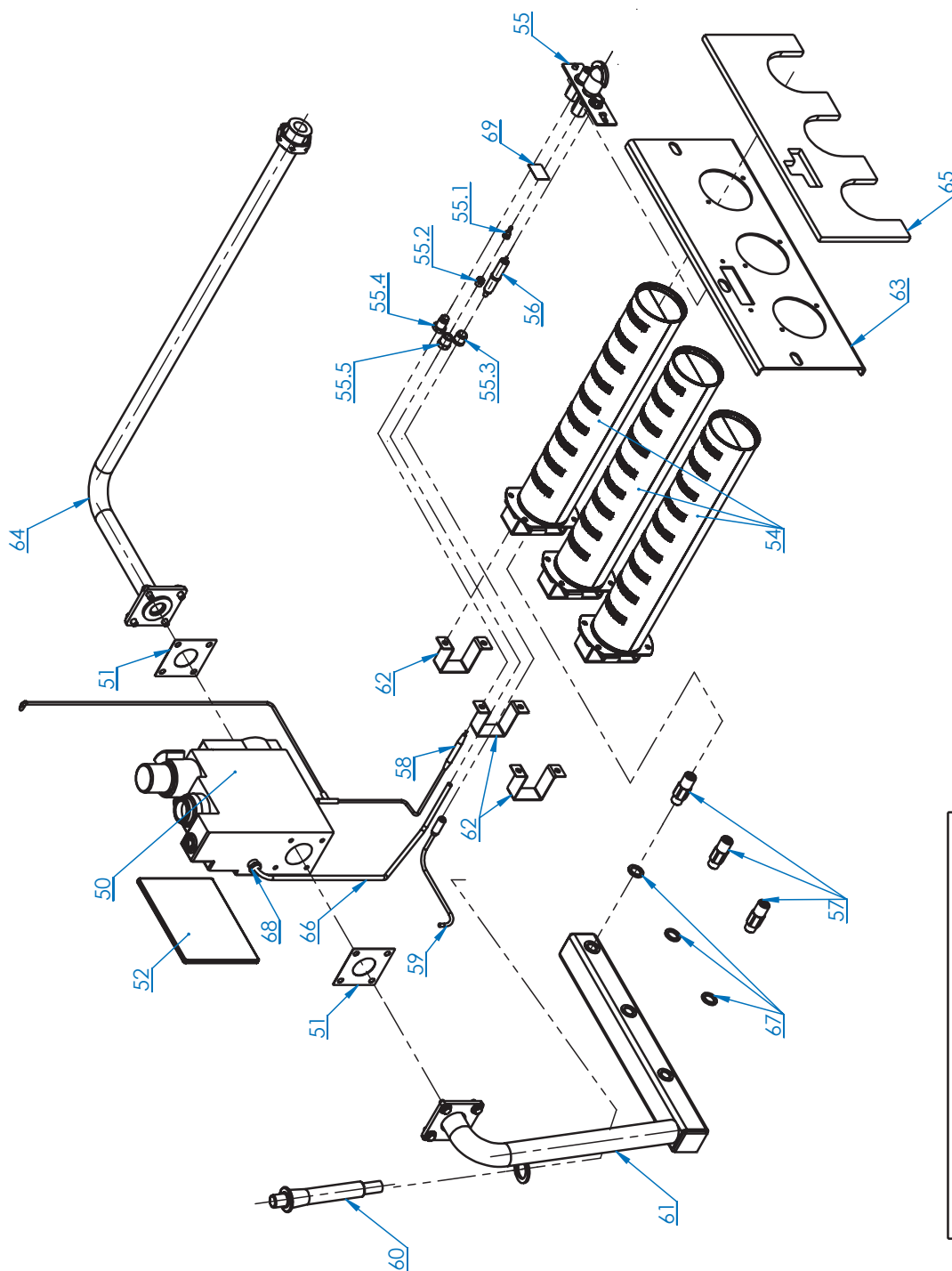


2/2

#	CODE	[kW]	TYPE	#	CODE	[kW]	TYPE
1	TS001D	12-30	EKO, PLQ, KLV, KLQ, E COMBI	23	TS557	12-30	EKO, PLQ, KLV, KLQ, E COMBI
2	TS002B	12-30	EKO, PLQ, KLV, KLQ, E COMBI	24	TS554	12-30	EKO, PLQ, KLV, KLQ, E COMBI
3	TS008A	12,15,20	EKO, PLQ, KLV, KLQ, E COMBI	25	TS080	12,15,20	EKO, PLQ, KLV, KLQ, E COMBI
4	TS009	25,30	EKO, PLQ, KLV, KLQ, E COMBI	26	TS079	25,30	EKO, PLQ, KLV, KLQ, E COMBI
5	TS013	12,15,20	EKO, PLQ, KLV, KLQ, E COMBI	27	TS080A	12,15,20	EKO, PLQ, KLV, KLQ, E COMBI
6	TS014	25,30	EKO, PLQ, KLV, KLQ, E COMBI	28	TS079A	25,30	EKO, PLQ, KLV, KLQ, E COMBI
7	TS018	12,15,20	EKO, PLQ, KLV, KLQ, E COMBI	29	TS081	12,15,20	EKO, PLQ, KLV, KLQ, E COMBI
8	TS019	25,30	EKO, PLQ, KLV, KLQ, E COMBI	30	TS082	25,30	EKO, PLQ, KLV, KLQ, E COMBI
9	TS018A	12,15,20	EKO, PLQ, KLV, KLQ, E COMBI	31	TS224	12,15,20	EKO, PLQ, KLV, KLQ, E COMBI
10	TS019A	25,30	EKO, PLQ, KLV, KLQ, E COMBI	32	TS223	25,30	EKO, PLQ, KLV, KLQ, E COMBI
11	TS024	12,15,20	EKO, PLQ, KLV, KLQ, E COMBI	33	TS215A	12-30	EKO, PLQ COMBI
12	TS025	25,30	EKO, PLQ, KLV, KLQ, E COMBI	34	TS215	12-30	EKO, PLQ, KLV, KLQ, E COMBI
13	TS035C	12,15,20	EKO, PLQ, KLV, KLQ, E COMBI	35	TH27A	12,15,20	EKO, PLQ, KLV, KLQ, E COMBI
14	TS036B	25,30	EKO, PLQ, KLV, KLQ, E COMBI	36	TS102	12-30	EKO, PLQ, KLV, KLQ, E COMBI
15	TS041C	12,15,20	EKO, PLQ, KLV, KLQ, E COMBI	37	TS106	12-30	EKO, PLQ, KLV, KLQ, E COMBI
16	TS042C	25,30	EKO, PLQ, KLV, KLQ, E COMBI	38	OT11	12-30	EKO, PLQ, KLV, KLQ, E COMBI
17	TS030C	12,15,20	EKO, PLQ, KLV, KLQ, E COMBI	39	TH19	12-30	EKO, PLQ, KLV, KLQ, E COMBI
18	TS031C	25,30	EKO, PLQ, KLV, KLQ, E COMBI	40	TH21	15,20,25	E COMBI
19	TS047	12,15,20	EKO, PLQ, KLV, KLQ, E COMBI	41	DPD25008A	12-30	EKO, PLQ, KLV, KLQ COMBI
20	TS048	25,30	EKO, PLQ, KLV, KLQ, E COMBI	42	TS095	12-30	EKO, PLQ, KLV, KLQ, E COMBI
21	TS083	12-30	EKO, PLQ, KLV, KLQ, E COMBI	43	TS096A	15-30	PLQ, KLQ COMBI
22	TS084	12,15,20	EKO, PLQ, KLV, KLQ, E COMBI	44	TH24C	12-30	EKO, PLQ, KLV, KLQ COMBI
23	TS085	25,30	EKO, PLQ, KLV, KLQ, E COMBI	45	TH24D	15,20,25	E COMBI
24	TS087	12,15,20	EKO, PLQ, KLV, KLQ, E COMBI	46	TS098P	12-30	EKO, PLQ, KLV, KLQ, E COMBI
25	TS088	25,30	EKO, PLQ, KLV, KLQ, E COMBI	47	TS099	12-30	EKO, PLQ, KLV, KLQ, E COMBI
26	TS062	12,15,20	EKO, PLQ, KLV, KLQ, E COMBI	48	TS092A	12-30	EKO, PLQ, KLV, KLQ, E COMBI
27	TS063	25,30	EKO, PLQ, KLV, KLQ, E COMBI	49	TS190	15,20,25	E COMBI
28	TS146	12-30	EKO, PLQ, KLV, KLQ, E COMBI	50	TS191	12-30	EKO COMBI
29	TS147	12-30	EKO, PLQ, KLV, KLQ, E COMBI	51	TS193	15-30	KLQ COMBI
30	TS145	12-30	EKO, PLQ, KLV, KLQ, E COMBI	52	TS194	12-30	KLQ COMBI
31	SR47B	12-30	EKO, PLQ, KLV, KLQ, E COMBI	53	TS195	15-30	PLQ COMBI
32	TS052	12,15,20	EKO, PLQ, KLV, KLQ, E COMBI	54	TH06	15-30	EKO, PLQ, KLV, KLQ, E COMBI
33	TS053	25,30	EKO, PLQ, KLV, KLQ, E COMBI	55	TH05A	12-30	EKO, PLQ, KLV, KLQ, E COMBI
34	TS140A	12,15,20	EKO, PLQ, KLV, KLQ, E COMBI	56	TS094	12-30	EKO, PLQ, KLV, KLQ, E COMBI
35	TS140B	25,30	EKO, PLQ, KLV, KLQ, E COMBI	57	TS107	12-30	EKO, PLQ, KLV, KLQ, E COMBI
36	Page 2/2			58	TS091	12-30	EKO, PLQ, KLV, KLQ, E COMBI
37	TS067B	12-30	EKO, PLQ, KLV, KLQ, E COMBI	59	TS122	12-30	EKO, PLQ, KLV, KLQ, E COMBI
38	TS068	12-30	EKO, PLQ, KLV, KLQ, E COMBI	60	TS123	12-30	EKO, PLQ, KLV, KLQ, E COMBI
39	TS555	12-30	EKO, PLQ, KLV, KLQ, E COMBI	61	TS103	12-30	EKO, PLQ, KLV, KLQ, E COMBI
40	TS556	12-30	EKO, PLQ, KLV, KLQ, E COMBI				

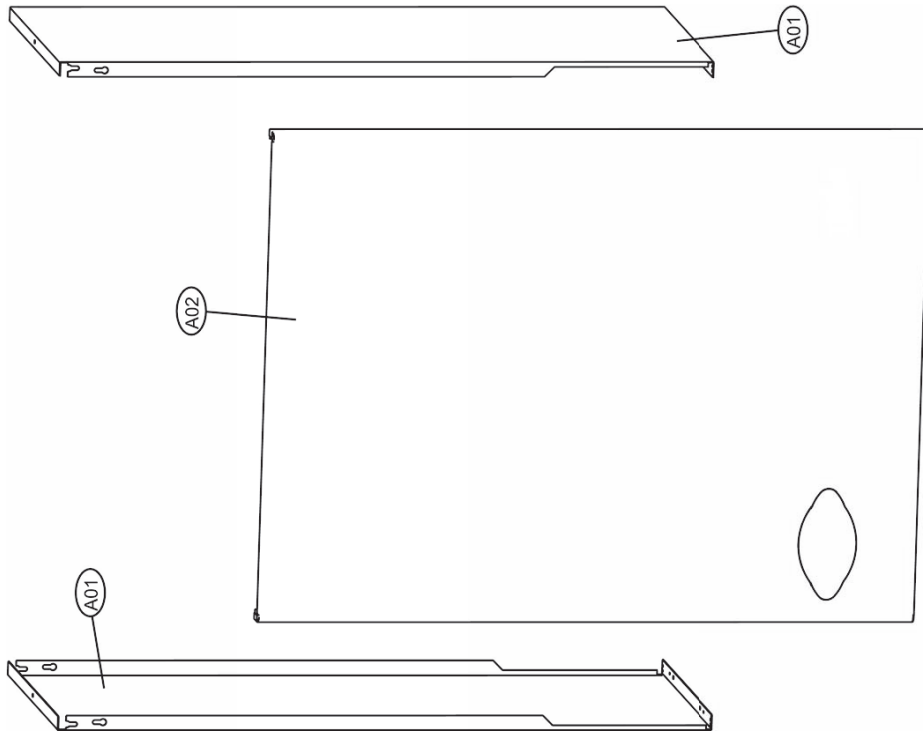


#	CODE	[kW]	TYPE
50	AU4600C	12-30	EKO COMBI
	AU4600Q	15-30	PLQ COMBI
	AU4100C	12-30	KLV COMBI
	AU4100Q	15-30	EKO, PLQ COMBI
51	AU4600T	12-30	EKO, PLQ COMBI
	AU4100T	12-30	KLV, KLQ, E COMBI
52	EL4100	12-30	KLV, KLQ, E COMBI
	EL4100A	12-30	KLV, KLQ, E COMBI
53	AU4600K	12-30	EKO, PLQ COMBI
54	HZ01	12-30	EKO, PLQ, KLV, KLQ, E COMBI
55	HZ29	12-30	EKO, PLQ COMBI
	HZ86	12-30	KLV, KLQ, E COMBI
56	HZ30	12-30	EKO, PLQ COMBI
	HZ86D	12-30	KLV, KLQ, E COMBI
57	HZ33	12-25	EKO, PLQ, KLV, KLQ, E COMBI
	HZ34	20-30	EKO, PLQ, KLV, KLQ, E COMBI
58	TE01	12-30	EKO, PLQ COMBI
	HZ86C	12-30	KLV, KLQ, E COMBI
59	HZ28	12-30	EKO, PLQ COMBI
60	HZ27	12-30	EKO, PLQ COMBI
61	HZ04	12-20	EKO, PLQ COMBI
	HZ05	12-20	KLV, KLQ, E COMBI
	HZ06	25-30	EKO, PLQ COMBI
	HZ07	25-30	KLV, KLQ, E COMBI
62	HZ26B	12-30	EKO, PLQ, KLV, KLQ, E COMBI
63	HZ71	12-20	EKO, PLQ, KLV, KLQ, E COMBI
	HZ72	25-30	EKO, PLQ, KLV, KLQ, E COMBI
64	HZ22	12-20	EKO, PLQ COMBI
	HZ23	12-20	KLV, KLQ, E COMBI
	HZ24	25-30	EKO, PLQ COMBI
	HZ25	25-30	KLV, KLQ, E COMBI
65	HZ81	12-20	EKO, PLQ, KLV, KLQ, E COMBI
	HZ82	25-30	EKO, PLQ, KLV, KLQ, E COMBI
66	HZ38	12-30	EKO, PLQ COMBI
	HZ39	12-30	KLV, KLQ, E COMBI
67	HZ49	12-30	EKO, PLQ, KLV, KLQ, E COMBI
68	HZ58	12-30	EKO, PLQ COMBI
	HZ58A	12-30	KLV, KLQ, E COMBI
69	AT20A	12-30	EKO, PLQ, KLV, KLQ, E COMBI



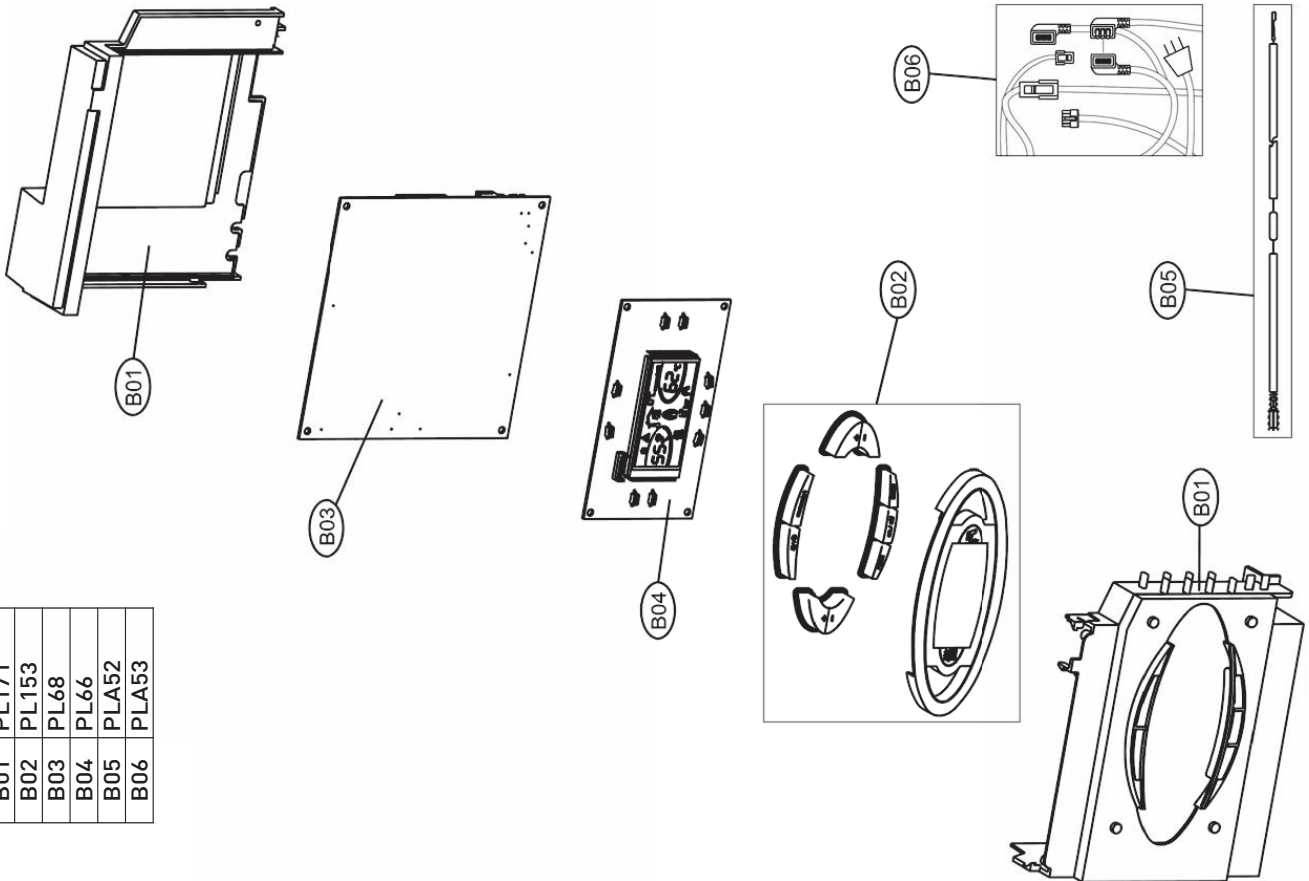
#55 - HZ29		
#	CODE	TYPE
55.1	HZ59	EKO, PLQ COMBI
55.2	HZ59A	EKO, PLQ COMBI
55.3	HZ59B	EKO, PLQ COMBI
55.4	HZ59C	EKO, PLQ COMBI
55.5	HZ59D	EKO, PLQ COMBI

#55 - HZ86		
#	CODE	TYPE
55.1	HZ86E	KLV, KLQ, E COMBI
55.2	HZ86A	KLV, KLQ, E COMBI
55.5	HZ86B	KLV, KLQ, E COMBI

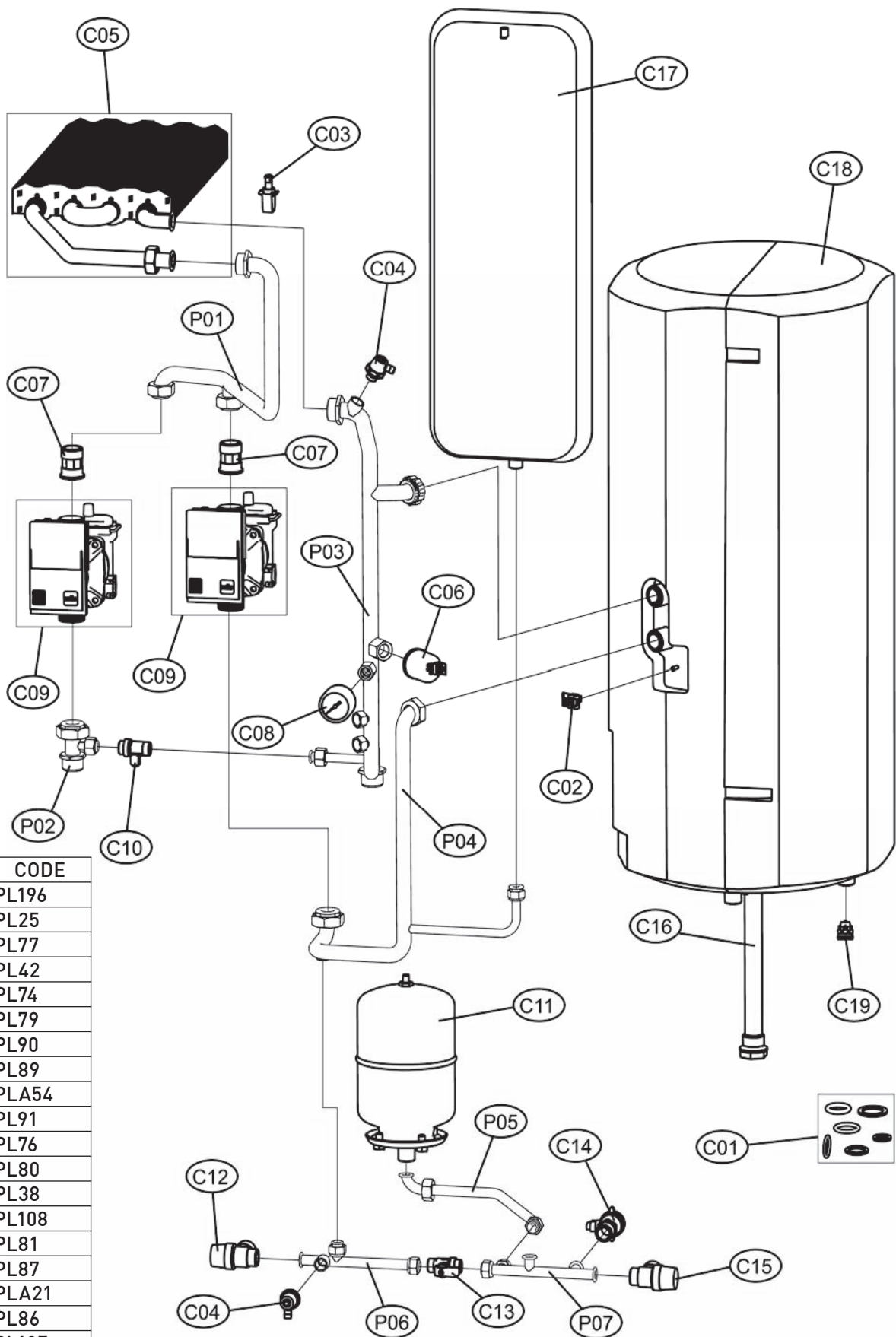


#	CODE
A01	PL141
A02	PL195

# ATTACK RZK Plus

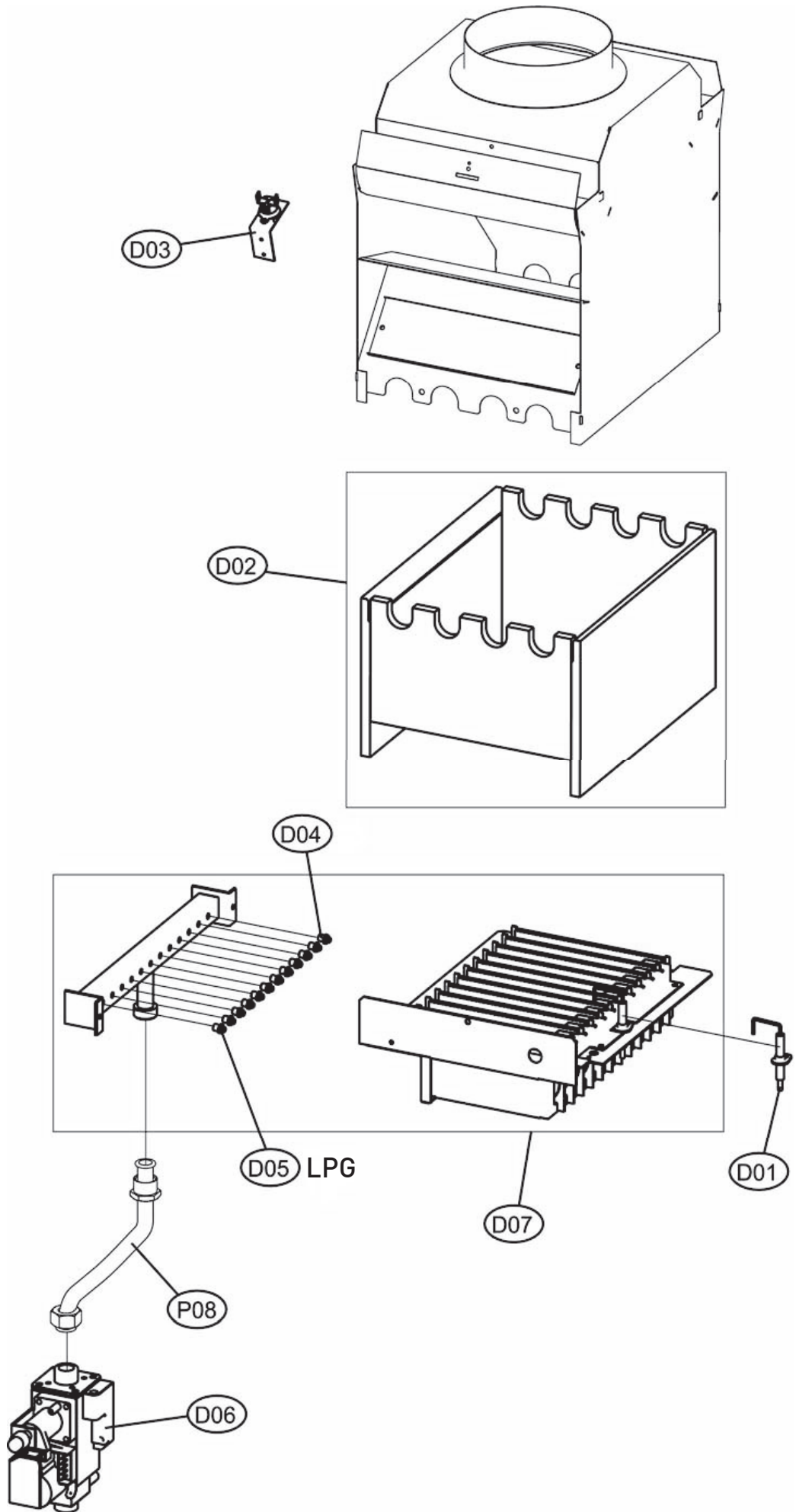


#	CODE
B01	PL171
B02	PL153
B03	PL68
B04	PL66
B05	PLA52
B06	PLA53

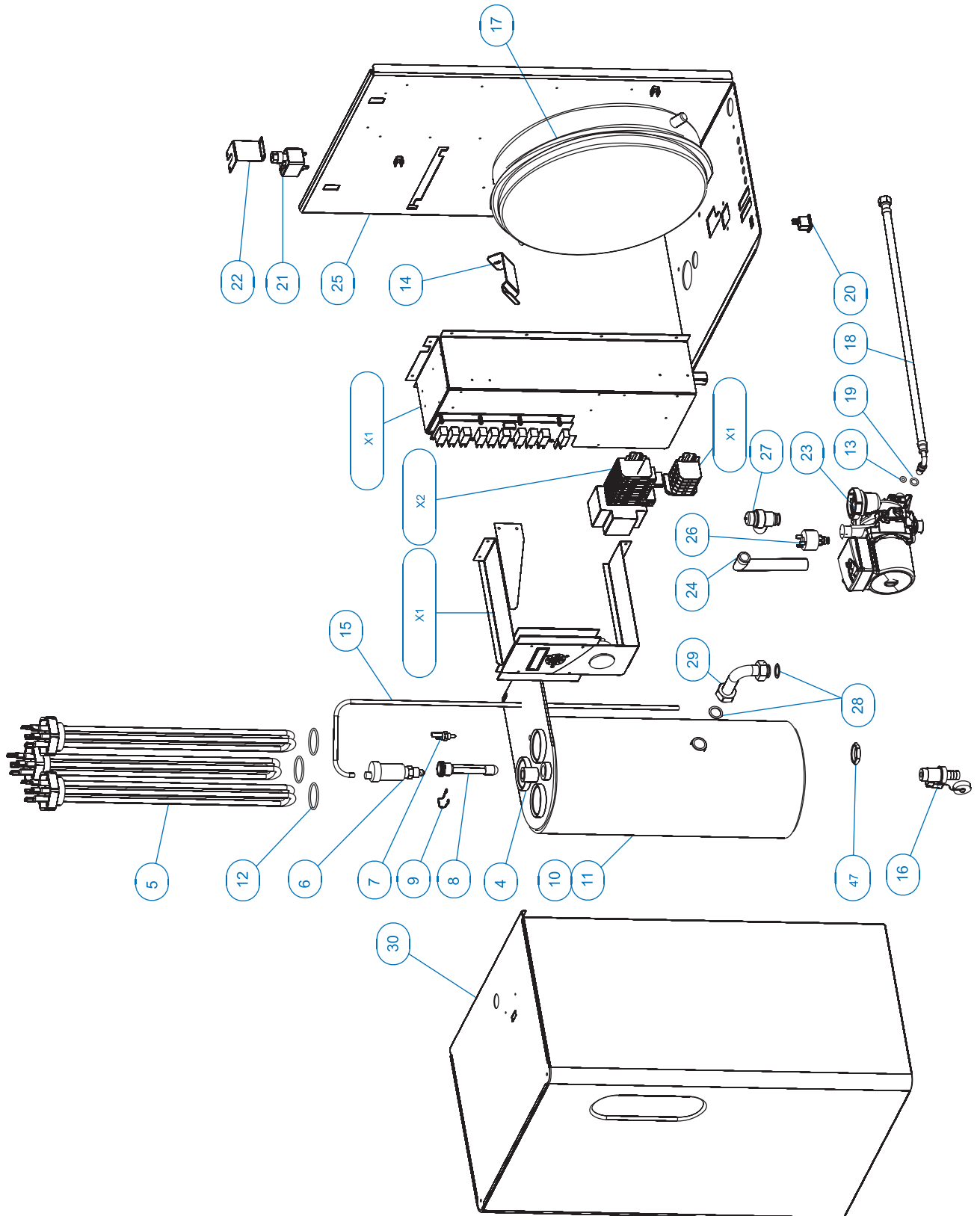


#	CODE
C01	PL196
C02	PL25
C03	PL77
C04	PL42
C05	PL74
C06	PL79
C07	PL90
C08	PL89
C09	PLA54
C10	PL91
C11	PL76
C12	PL80
C13	PL38
C14	PL108
C15	PL81
C16	PL87
C17	PLA21
C18	PL86
C19	PL107
P01	PL215
P02	PL217
P03	PLA55
P04	PL218
P05	PL219
P06	PL220
P07	PL221

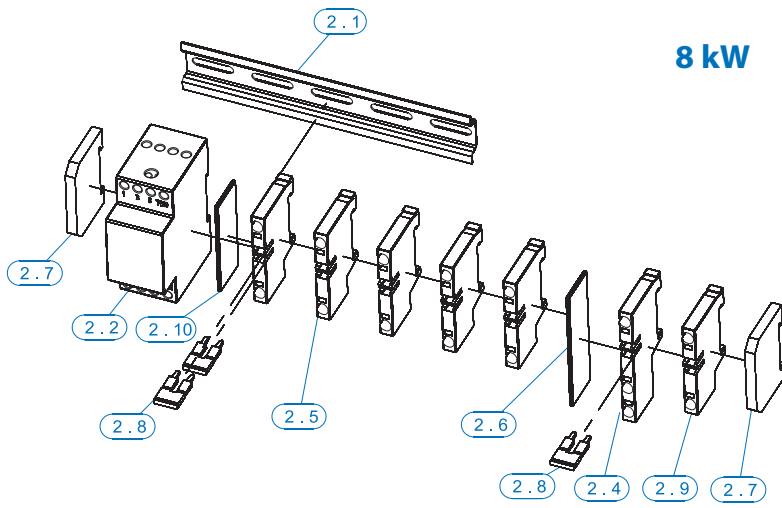
#	CODE
D01	PL97
D02	PL109
D03	PL197
D04	PL106
D05	PL105
D06	PL98
D07	PL111
P08	PL222



#	CODE
4	EK025 24
	EK025A 15
	EK025B 8
5	EK026
6	EK027
7	EK028
8	EK029
9	EK030
10	EK031
11	EK032
12	EK033
13	EK034
14	EK035
15	EK036
16	EK037
17	EK038
18	EK039
19	EK040
20	EK041
21	EK042
22	EK043
23	EK044
24	EK045
25	EK046
26	EK047
27	EK048
28	EK049
29	EK050
30	EK051
47	EK068

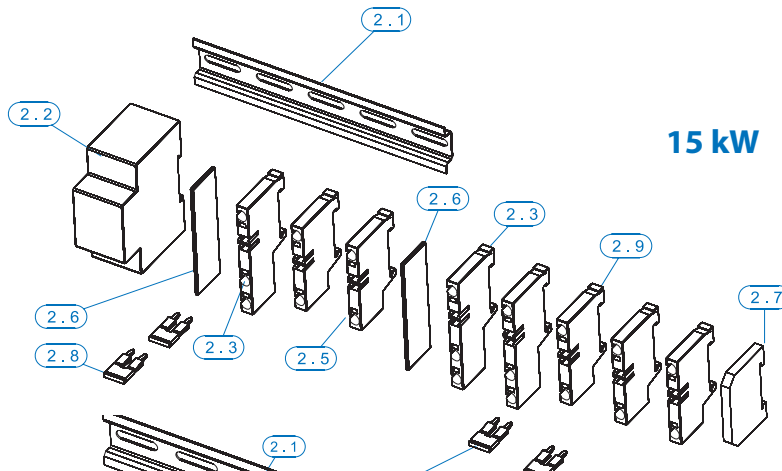


## X2

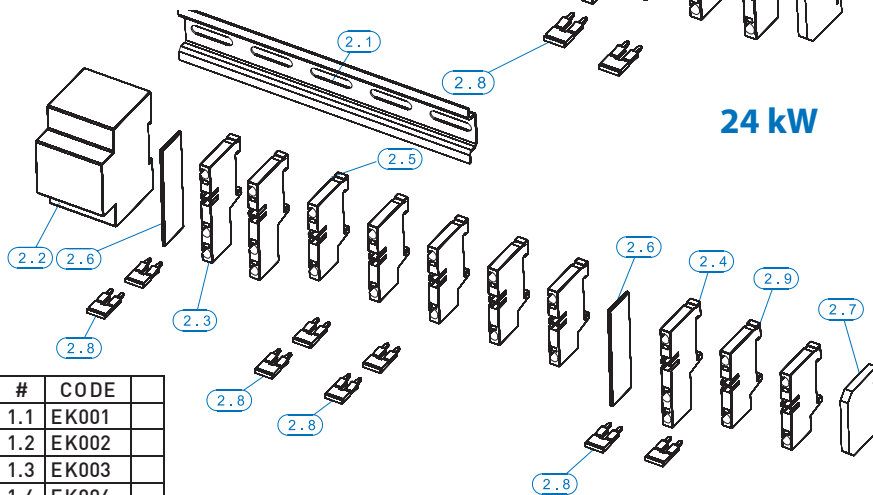


8 kW

#	CODE	
2.1	EK011	
2.2	EK012	24
2.2	EK012A	15
2.2	EK012B	8
2.3	EK013	
2.4	EK014	
2.5	EK015	
2.6	EK016	
2.7	EK017	
2.8	EK018	
2.9	EK019	
2.10	EK020	

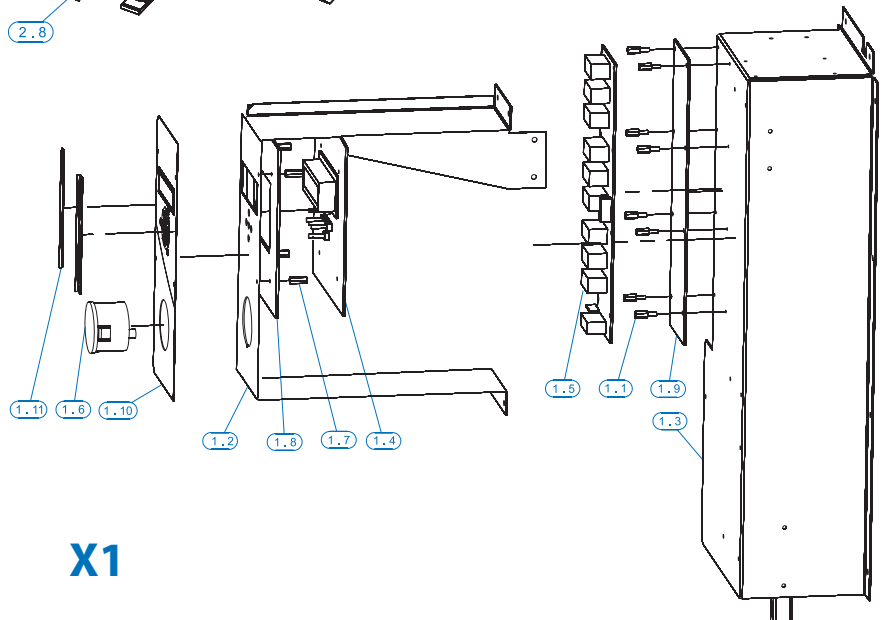


15 kW



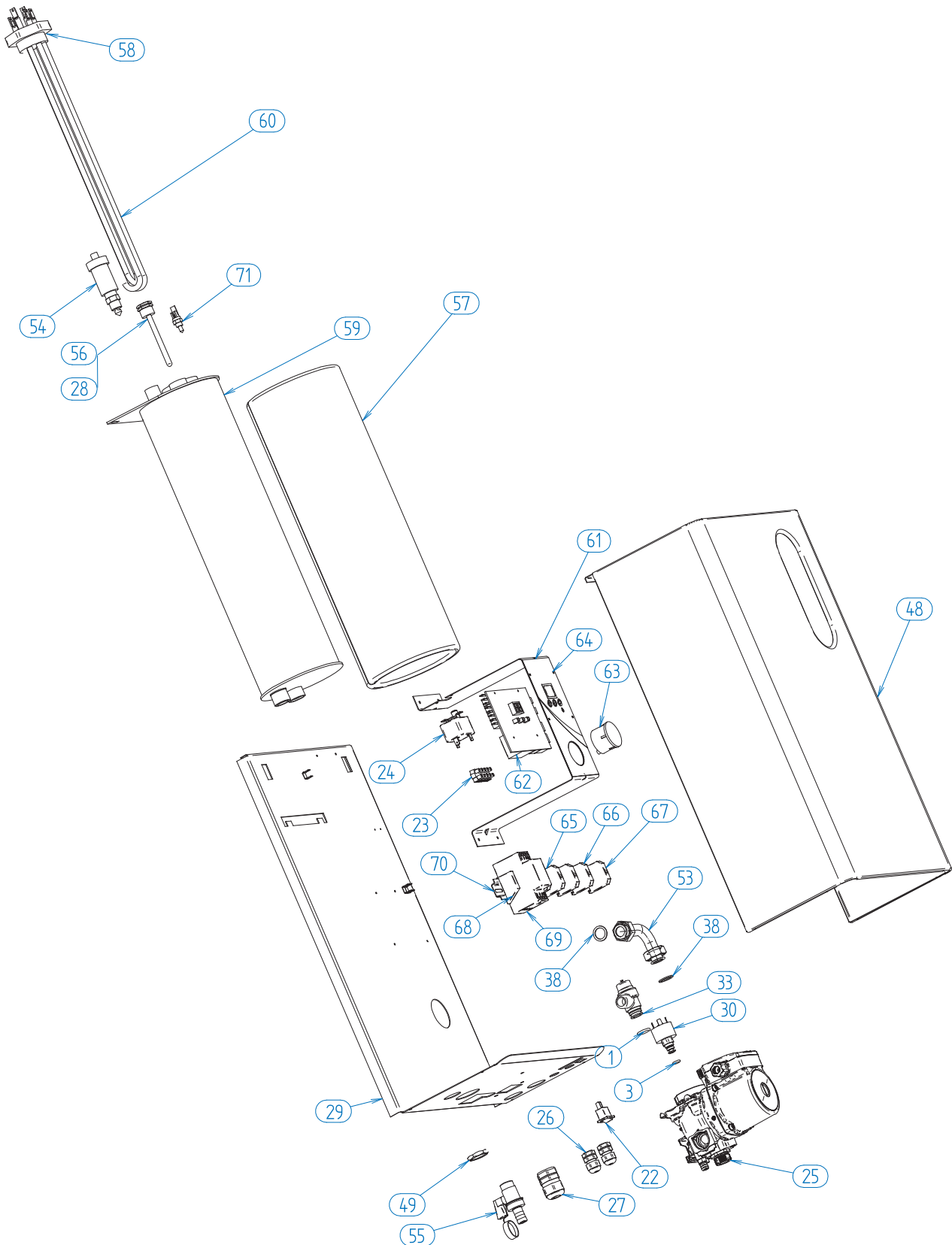
24 kW

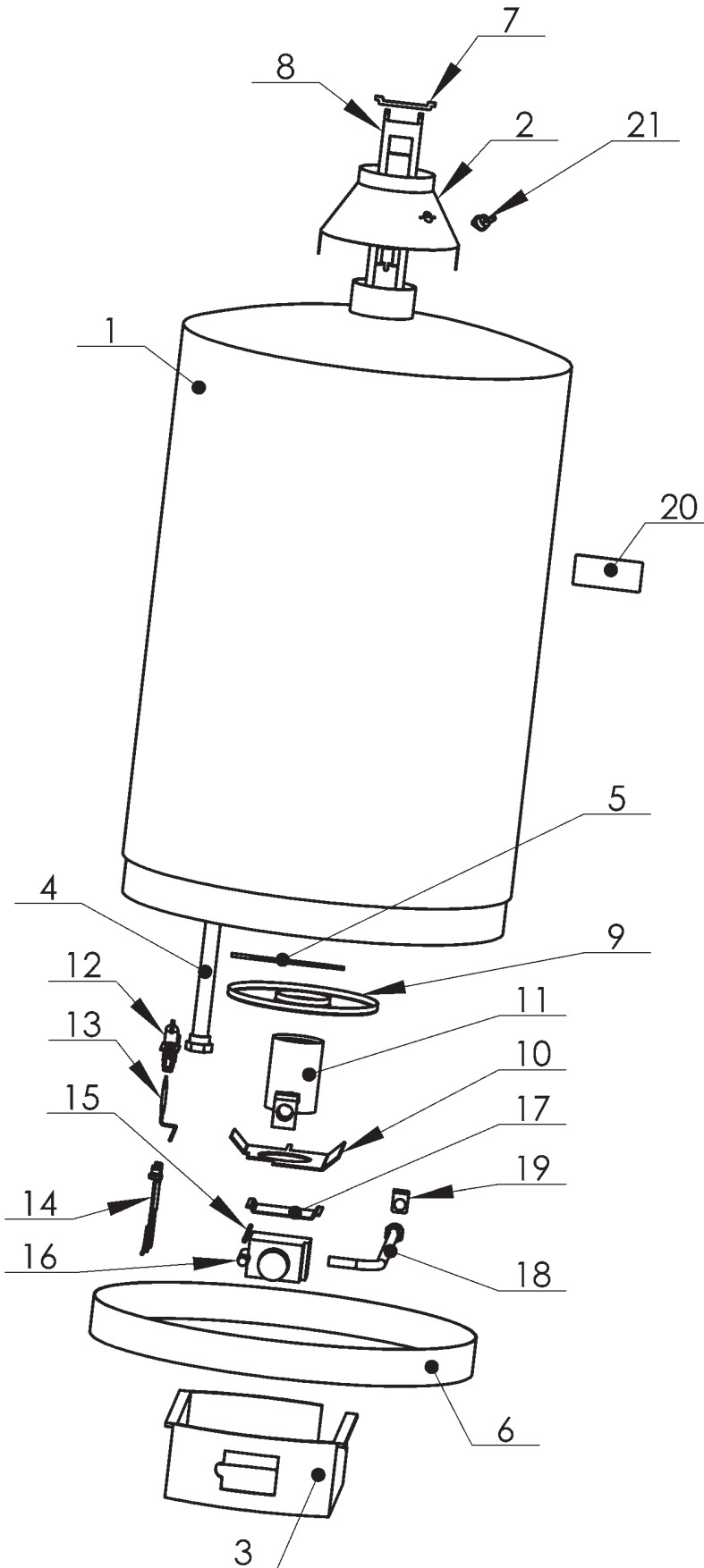
#	CODE	
1.1	EK001	
1.2	EK002	
1.3	EK003	
1.4	EK004	
1.5	EK005	24
	EK005A	15
	EK005B	8
1.6	EK006	
1.7	EK007	
1.8	EK008	
1.9	EK009	
1.10	EK069	
1.11	EK010	
2.1	EK011	
2.2	EK012	24
2.2	EK012A	15
2.2	EK012B	8
2.3	EK013	
2.4	EK014	
2.5	EK015	
2.6	EK016	
2.7	EK017	
2.8	EK018	
2.9	EK019	



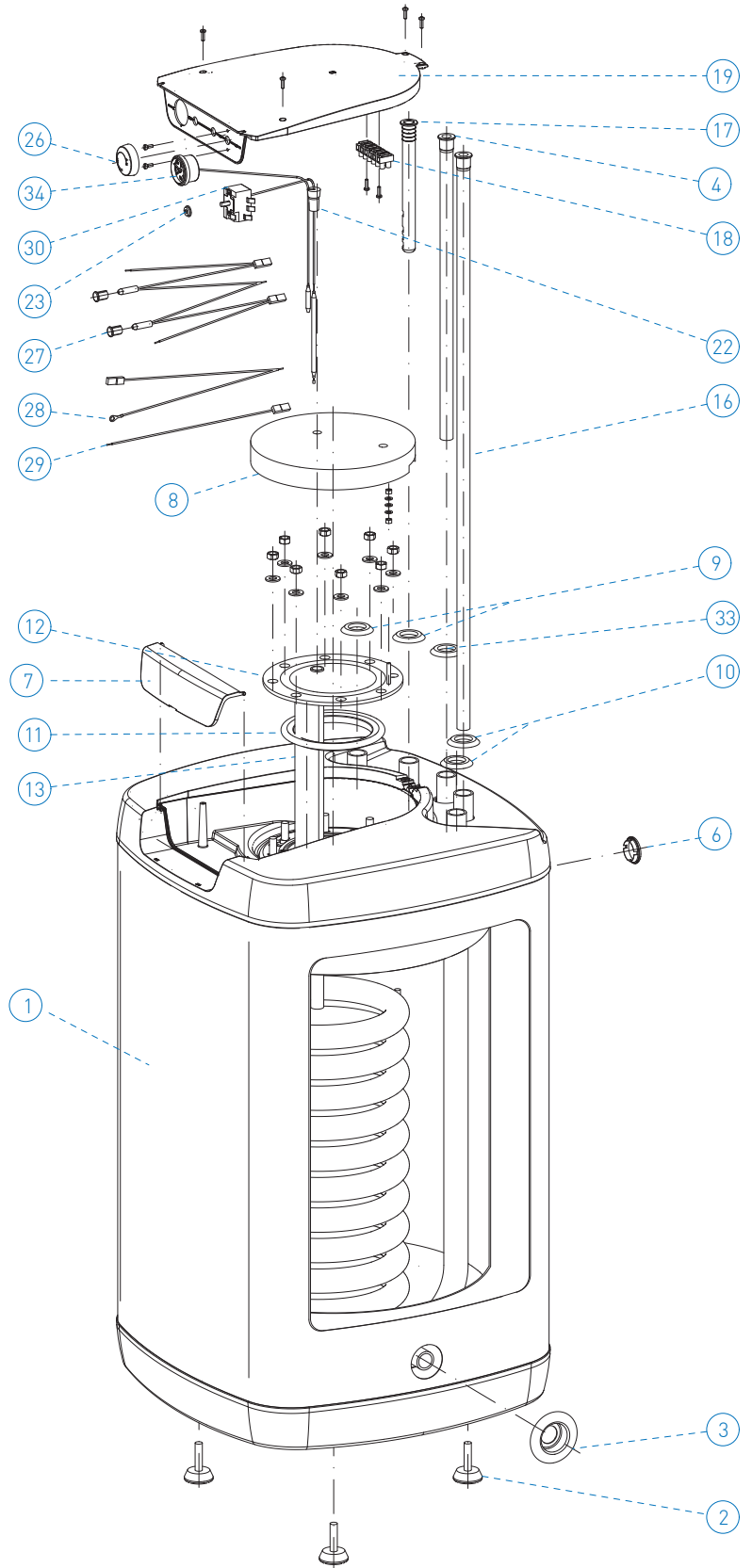
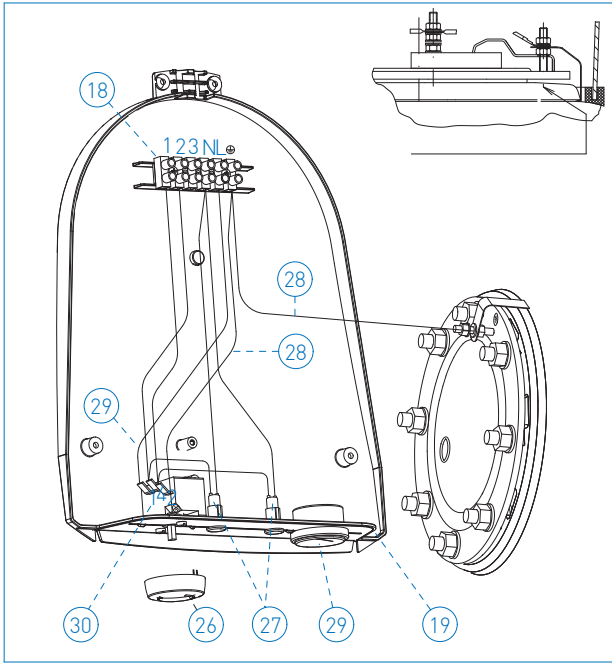
## X1

#	CODE
1	EK074
3	EK073
22	EK041
23	EK090
24	EK042
25	EK044
26	EK091
27	EK092
28	EK030
29	EK094
30	EK047
33	EK048
38	EK049
48	EK095
49	EK068
53	EK050
54	EK027
55	EK037
56	EK029
57	EK096
58	EK097
59	EK098
60	EK026
61	EK099
62	EK100
63	EK006
64	EK101
65	EK022
66	EK023
67	EK024
68	EK017





#	TYPE	CODE
1	PZO 80	PZ001C
	PZO 120	PZ002C
	PZO 150	PZ003C
2	ALL	PZ46
3	ALL	PZ39
4	PZO 80	PZ47
	PZO 120	PZ48
	PZO 150	PZ49
5	ALL	PZ50
6	ALL	PZ31
7	ALL	PZ51
8	PZO 80	PZ52
	PZO 120, 150	PZ53
9	ALL	PZ54
10	ALL	PZ55
11	PZO 80, 120	PZ56
	PZO 150	PZ57
12	ALL	PZ58
13	ALL	PZ34
14	ALL	PZ59
15	ALL	PZ60
16	ALL	PZ36
17	ALL	PZ61
18	ALL	PZ62
19	ALL	PZ63
20	ALL	PZ40
21	ALL	PZ64



#	CODE
1	ZP001
2	ZP002
3	ZP003
4	ZP004
6	ZP005
7	ZP006
8	ZP007
9	ZP008
10	ZP009
11	ZP010
12	ZP011
13	ZP012
16	ZP013
17	ZP014
18	ZP015
19	ZP016
22	ZP017
23	ZP018
26	ZP019
27	ZP020
28	ZP021
29	ZP022
30	ZP023
33	ZP024
34	ZP025



## SLOVAK REPUBLIC

<b>ATTACK PREDAJŇA</b> Priekopská 53 036 08 Martin-Priekopa	<b>Obj. tovaru:</b> 043/428 24 76, 77, 0907/356 218, 0905/276 297 <b>Fax:</b> 043/428 87 94	<b>Obchodný zástupca:</b> 0905/926 222, 0905/927 222 <b>E-mail:</b> bakala@attack-predaj.sk
<b>ATTACK PREDAJŇA</b> Duklianska 19 080 01 Prešov	<b>Objednávky tovaru:</b> 051/776 16 74, 0907/830 689 <b>E-mail:</b> presov@attack-predaj.sk	<b>Obchodný zástupca:</b> 0917/114 100 <b>E-mail:</b> presov@attack-predaj.sk
<b>ATTACK PREDAJŇA</b> Levická 7 949 01 Nitra	<b>Objednávky tovaru:</b> 0918/655 300 <b>E-mail:</b> nitra@attack-predaj.sk	<b>Obchodný zástupca:</b> 0905/675 222 <b>E-mail:</b> nitra@attack-predaj.sk
<b>SERVIS KOTLOV</b> Tel.: 043/400 31 04 Mobil: 0905/410 204 E-mail: servis@attack.sk	Tel.: 043/400 31 21 Mobil: 0908/931 322 E-mail: bakalaanton@attack.sk	<b>SERVISNÉ ŠKOLENIA A OBJEDNÁVKY ND</b> Tel.: 043/400 31 07 E-mail: hesova@attack.sk



## CZECH REPUBLIC

<b>ATTACK heating CZ, s.r.o.</b> Cukrovarská 498/13 682 01 Vyškov	<b>Objednávka zboží:</b> 727 935 225, E-mail: kotle@attack.cz <b>Servis:</b> 727 966 335 E-mail: obchod@attack.cz <b>Web:</b> www.attack.cz	<b>Obchodní zástupce:</b> 606 777 778, 727 966 471 <b>E-mail:</b> sostak@attack.cz, vancurova@attack.cz
---	---	--



## HUNGARY

<b>ATTACK Kft.</b> Bécsi út 529/38 2510 Dorog	<b>Értékesítés / Technikai információk:</b> Mobil: 30 2797 525 Rendelés: 33 331 426 / 30 3845 599 <b>E-mail:</b> attack@attack.hu <b>Web:</b> www.attack.hu	<b>Üzleti Képvisezők:</b> 30 2797 525 / 30 5088 107 Tel.: 33 331 426 <b>E-mail:</b> eladas@attack.hu, becse@attack.hu
---	---	---



## ROMANIA

<b>ATTACK, s.r.o.</b> Dielenská Kružná 5020 038 61 Vrútky Slovak republic	<b>Pentru comenzi:</b> Mobil: +40 761 638 442 E-mail: cozac@attack.sk <b>Web:</b> www.attack.sk	<b>Agent de vânzări:</b> Mobil: +40 761 638 442 E-mail: cozac@attack.sk
--	--	---



Výrobca ATTACK, s.r.o. si vyhradzuje právo technických zmien výrobkov bez predchádzajúceho upozornenia. Obrázky a technické údaje k výrobkom sú len informačné. Aktuálne technické dokumentácie sú k dispozícii na uvedených kontaktoch. Zmena cien a ponuky vyhradená.

# www.attack.sk