

DURALOCK

RACING & EQUESTRIAN

RACING CATALOGUE

2025 / 2026



TABLE OF CONTENTS.

PAGE 3: Message from the CEO

PAGE 6: About Duralock

PAGE 7: Where We Are

PAGE 10: Our Process

PAGE 11: Technical Capabilities

PAGE 14: Duralock Services

PAGE 15: Streamlined Supply & Global Shipping

PAGE 18: Order Process

PAGE 22: Oval Running Rails

PAGE 26: Gilling Rail

PAGE 28: Oval Midcourse Running Rail

PAGE 30: Slip Rail Kits

PAGE 34: Crowd Barriers

PAGE 38: Jump Wings

PAGE 40: Post and Rail Systems

PAGE 46: Gates

PAGE 62: Mobile Barriers

PAGE 66: Ancillary Items

PAGE 72: Bespoke Solutions

PAGE 76: Equestrian Sports Solutions (ESS)

PAGE 77: Duralock Services Solutions

PAGE 78: Contact Information

CRAFTING EXCELLENCE WITH CARE & COMMITMENT.

“

At Duralock, we focus on delivering quality over quantity, working on a select number of projects each year to ensure excellence in every detail.

Our core values of sustainability, craftsmanship, and community have guided us for decades. As a family-owned business, we pride ourselves on forming close, lasting relationships with our clients, delivering bespoke solutions tailored to their needs.

Every piece of Duralock fencing is meticulously crafted in our workshop in Chipping Norton, Oxfordshire. Built to last, our products reflect the exceptional quality and care that define the Duralock brand.

”



Jonathon McGovern

Chief Executive Officer, Duralock Group

“ THE LARGEST RANGE
OF PRODUCTS TO
RACECOURSES
AROUND THE WORLD ”





Ascot Racecourse, UK

ABOUT DURALOCK.

Duralock is a world-leading manufacturer of high-performance PVCu fencing, specialising in the racing market. As a global supplier of the highest quality PVCu fencing, we use our long-term experience to provide you with a tailored service and beautiful products, from the drawing board to installation and beyond.

For more than 30 years equestrian facilities, studfarms, racecourses, private and also public property owners trust in the quality "Made in Britain".

All fencing systems meet high safety standards with smooth, rounded surfaces and concealed fixings to protect horses and riders. The systems are also durable, easy to install and have built-in UV protection with a 15-years-warranty. From equestrian and sporting grounds to commercial venues and largescale events, every fencing solution we create is designed with reliability, opulence, and safety at it's core.

Duralock is extremely proud to have been involved with prestigious events across the globe, including the World Modern Pentathlon, British Horseracing Authority, Rolex Three Day Event, World Equestrian Games, GCT Events and several Olympic Games.



Duralock is delighted to have a number of world-class facilities on our client list. Due to its safe, durable and attractive design, Duralock Performance Fencing can be found at the vast majority of the World's leading racecourses and equestrian facilities. They are made in accordance with the regulations of BHA, France Galop and FEI. We understand the importance of investing in both excellence and aesthetics.

With Duralock, your fencing experience will always be sustainable, authentic, and created with outstanding quality materials, so you can operate your venues with confidence.

We are proud to supply fencing to 50+ countries worldwide. Our growing client list along with our esteemed partners are testament to the high-quality product and service we provide.

We are able to fulfil lots of special wishes regarding design and dimensions of our different fencing systems to find a perfect and safe solution for our clients.

WHERE WE ARE.

We've been perfecting our craft and earning your trust for three decades. From a small workshop deep in the English countryside, Duralock has grown into a global industry leader, with clients on all continents.

When the 300-year-old Ascot Racecourse reinvented itself, we were there. When Italy's Inter Milan football club needed new pitch barriers, they partnered with us. 5,000 miles away, the Korean Racing Authority has relied on us for over 20 years, prizing the peace of mind that comes with "Made in Britain" quality. From the world-class facilities at Dubai Racing Club to the historic grounds of Aintree, from the iconic Meydan Racecourse to the prestigious Hong Kong Jockey Club, our partners choose us for many reasons. Whether it's a royal regatta or a modern shopping mall, we deliver excellence every time.

As a family-run business, the three we're most proud of are:

- quality
- customer service
- safety and sustainability.

We led the way as the international horse racing industry moved away from metal or wood barriers towards safer PVCu fencing. Now, we're showing it's possible to build beautiful fences – backed by our 15-year warranty – using recycled materials.

We're exploring new frontiers and spreading our global footprint. But some things will never change. Like our Duralock stamp of quality. And our core commitment to you: whether you buy five or fifty thousand metres of fencing, if you give us your trust, we'll treat you like family.



香港賽馬會
The Hong Kong Jockey Club



Santa

10 9 8 7



Anita

6

5

4

3



Santa Anita Park, California

OUR PROCESS.

Our CAD and 3D modelling capabilities mean that Duralock can work closely with clients, architects, and contractors from the outset to turn concepts into a reality. We are proud to offer a full turnkey service from drawings and concept designs to installation and after care. Our award-winning in-house technical team work on client projects across all stages of development.



CONSULT

Duralock have an in-house team of consultants and technicians who are able to advise and support throughout your project.

DESIGN

With a wide project range available we are able to design a package to suit your individual requirements.

SUPPLY

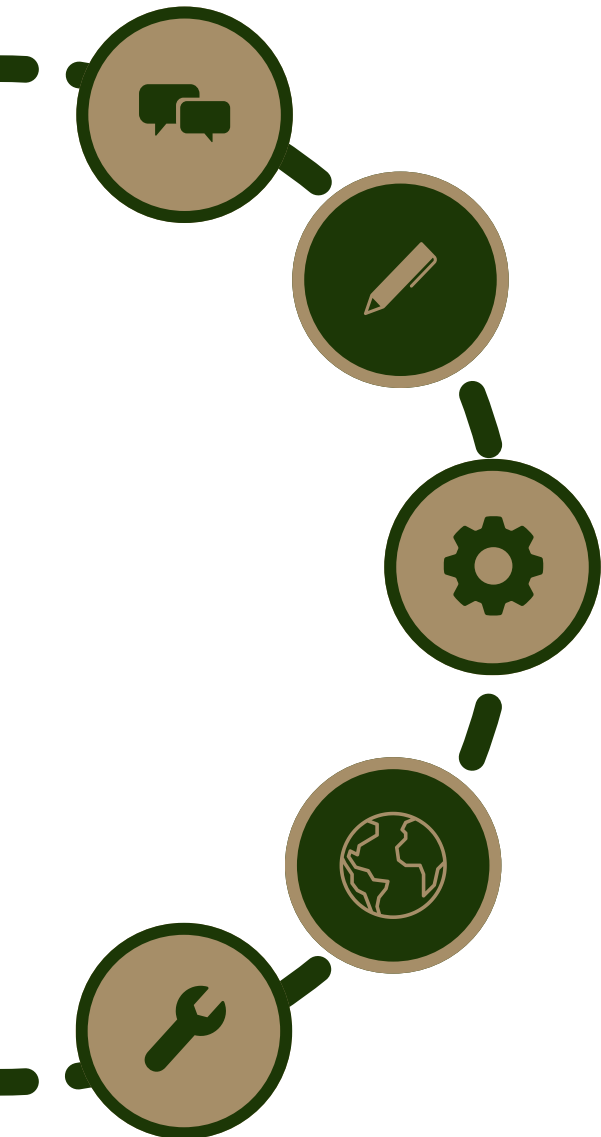
We are proud that all of our products are handmade in Britain.

SHIP

Our logistics team have the experience of shipping in mainland UK and globally.

INSTALL

We have both an in-house installation team, as well as a large number of accredited installers worldwide.



TECHNICAL CAPABILITIES.

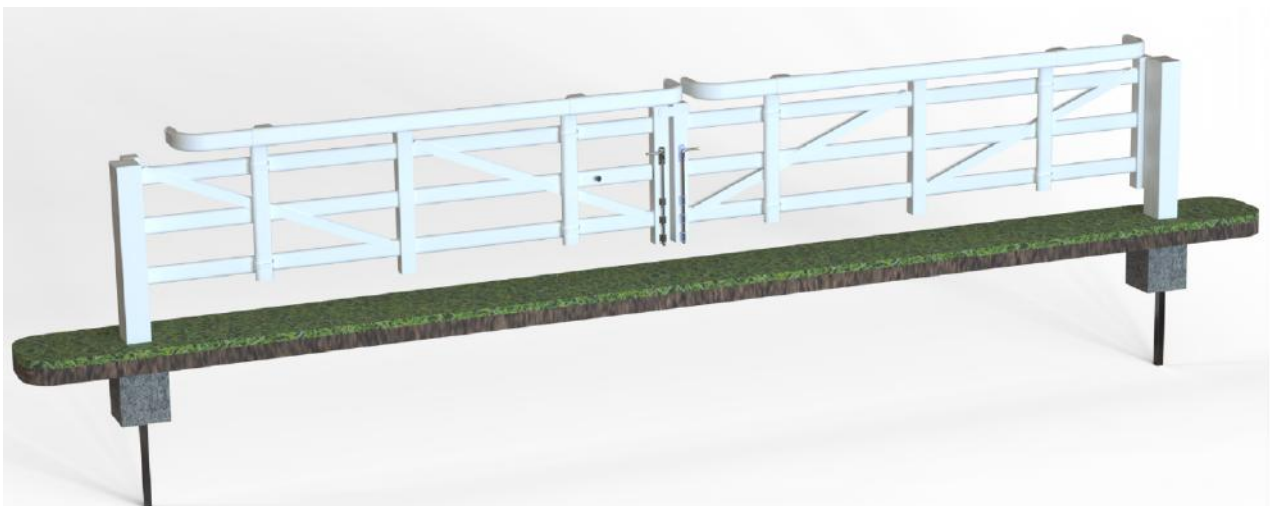
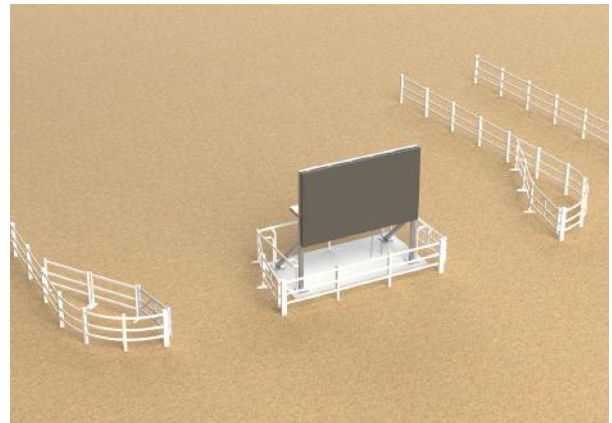
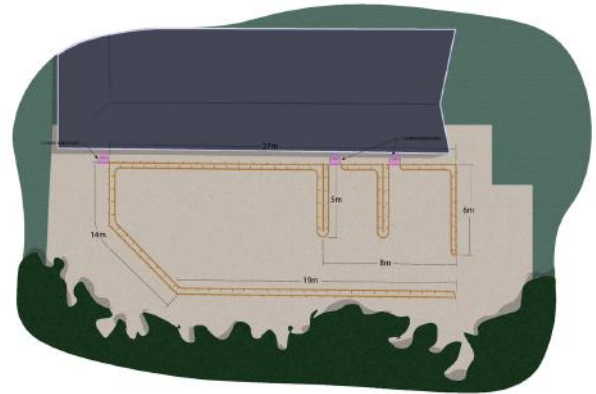
FROM CONCEPT TO INSTALLATION

At Duralock, we go beyond delivering world-class racing and equestrian solutions; we ensure every project starts with precision and clarity.

Our in-house design team creates detailed specification drawings and stunning 3D renders tailored to your specific requirements. These visuals allow you to see your project come to life long before installation begins, giving you confidence in every detail.

From customised layouts to technical schematics, our expertise ensures seamless integration of our systems with your facilities. Whether you're upgrading facilities or planning an entirely new development, our advanced tools provide a clear roadmap, ensuring your project meets the highest standards of safety, functionality, and aesthetic excellence.

Partner with Duralock and let us transform your vision into a reality - before we even break ground.



4														TOP 20	복연승 (Quinella Place)	TOP 20	상승 (Exacta)	TOP 20	삼복 (Trio)																						
1	2	3	4	5	6	7	8	9	10	11	12	13	14	1	2	3	4	5	6	7	8	9	10	11	12	13	14	1	2	3	4	5	6	7	8	9	10	11	12	13	14
30.6	37.1	14.4	62.1	26.0	15.4	—	110.9	10.5	4.2	1.7	23.1	11.7	55.9	10-11	1.9	11-10	5.9	1	6-10-11	8																					
5.9	8.8	3.1	11.9	4.1	2.4	—	27.8	2.3	1.5	1.1	4.2	17.8	9.4	6-11	3.1	2-10-11	9.2	2	9-10-11	10																					
서울 (Seoul) 4경주 (Race) 0분전 (Mins)																																									
복승 (Quinella)																																									
1	2	3	4	5	6	7	8	9	10	11	12	13	14																												
272.7	96.5	179.1	343.3	468.8	857.0	329.8	46.3	96.2	244.2	14	10	9	14																												
896.4	1043.3	158.6	256.0	68.0	468.8	607.2	96.5	172.5	478.6	13	12	13	12																												
142.7	222.1	142.7	222.1	35.4	498.2	58.2	14.6	29.6	60.3	12	9	10	10																												
1263.4	2820.2	1093.7	2279.1	1322.1	1031.5	7	6	7	602.7	9	8	8	9																												
114.4	285.1	45.4	466.2	85.4	37.0	—	—	—	514.0	10	10	10	10																												
57.4	87.0	19.7	226.1	39.7	19.1	—	—	—	245.5	11	11	11	11																												
26.1	39.7	10.7	109.6	16.8	7.7	—	—	—	1202.6	12	12	12	12																												
195.5	333.6	60.2	815.4	131.9	59.1	—	—	—	2533.2	13	13	13	13																												
1060.5	1280.4	500.0	2350.6	858.0	545.7	—	—	—	2006.1	14	14	14	14																												
759.7	1106.0	275.3	640.3	415.9	305.5	1,500,489,400원(₩)								207,806,900원(₩)								560,757,400원(₩)								1,321,958,600원(₩)											



TOP 20	삼쌍 (Tierce)	시간
1	11-10-6	20.9
2	11-10-3	25.9
3	11-10-9	27.6
4	11-6-10	31.8
5	11-10-12	32.2
6	11-3-10	41.5
7	10-11-6	41.6
8	11-9-10	44.7
9	11-10-5	48.4
10	10-11-3	50.5
11	10-11-9	50.7
12	11-12-10	54.7
13	11-6-3	56.0
14	10-11-12	57.7
15	11-3-6	66.2
16	11-6-9	68.0
17	11-10-1	73.0
18	11-6-12	76.1
19	11-6-5	84.3
20	11-9-6	85.9

삼쌍 (Tierce) Top20	시간
1	11-10-6 21.4
2	11-10-3 26.0
3	11-10-9 27.8
4	11-6-10 32.5
5	11-10-12 32.9
6	11-3-10 41.2
7	10-11-6 42.2
8	11-9-10 44.3
9	11-10-5 48.7
10	10-11-3 50.0
11	10-11-9 52.0
12	11-12-10 54.6
13	11-6-3 56.2
14	10-11-12 57.8
15	11-6-9 67.4
16	11-3-6 67.5
17	11-10-1 73.8
18	11-6-12 75.8
19	11-6-5 84.5
20	10-3-11 85.3

00:34 437(-7) 이역 5 에바로드 463(+5) 온도 26.6℃ 습도 63% 풍향 남풍 풍속 3.2%

서울 4경주 0분전

발매금액(원)

단승	35,113,500
연승	52,937,400
복승	1,500,489,400
쌍승	560,757,400
복연	207,806,900
삼복	1,321,958,600
삼쌍	313,459,800
합계	3,992,523,000

현재시각 12:59

SAMIK



DURALOCK SERVICES.

AFTER SALES SERVICE & INSTALLATION

Duralock takes pride in offering a complete end-to-end service, including our expert in-house installation team. From initial planning to final fitting and beyond, our experienced professionals ensure every project is delivered to the highest standard.

We begin with a thorough site visit to understand your venue's unique needs, allowing us to plan the installation process with precision. Thanks to our innovative fencing systems and efficient installation methods, we minimise disruption to your daily operations—your facilities will not need to close during the process.

Our team works flexibly to accommodate your schedule, ensuring the highest levels of safety and functionality while delivering a flawless finish. Trust Duralock to provide a smooth and stress-free experience, leaving you with infrastructure that's as durable as it is elegant.

Choosing Duralock means benefiting from a 15-year warranty on both our products and installations. Additionally, our dedicated services team provides ongoing support, ensuring long-term satisfaction and peace of mind.



STREAMLINED SUPPLY AND GLOBAL SHIPPING.

At Duralock, we pride ourselves on efficient, world-class supply and shipping capabilities. With manufacturing sites strategically located in Enstone, UK, and Doha, Qatar, we are well-positioned to meet global demand quickly and reliably. Our dual-site production enables us to deliver products with impressive lead times, ensuring our clients have the equipment they need, when they need it.

With a robust global shipping network, we seamlessly handle deliveries worldwide, prioritising promptness and precision. Whether your project is nearby or across the globe, Duralock ensures swift and efficient service every step of the way.

We are proud to supply fencing to

50+

COUNTRIES WORLDWIDE

Duralock's global reach spans a diverse range of regions, from the UK and Europe to the Middle East, North America, Asia, Australia, and beyond.







01



GET IN TOUCH.

The first step is to contact us to discuss your project. You can get in touch via our website or by giving us a call. During this stage, we'll provide a preliminary overview of your needs and offer a rough estimate for your project. We're here to find the right solution for you!

02



SITE VISIT.

After the initial consultation, we'll arrange a site visit to understand the specifics of your project and requirements. This allows us to assess the site conditions, discuss your options, and gather any details needed for your design. This visit ensures that your fencing system will be a perfect fit for your facility.

03



DESIGN REVIEW.

Based on the site visit and your specifications, our designers will create a bespoke solution tailored to your project. We'll review the design with you, making any necessary adjustments before producing a detailed quote. This stage ensures your needs are fully addressed and the design is ready for approval.

04

CONFIRMATION & DEPOSIT.

Once you have confirmed your project and the design & quote are approved, a deposit is required to secure your project slot in our production schedule. This deposit allows us to finalise orders for materials and book your installation date.

05

MANUFACTURING.

Once everything is signed off, your fencing system will be manufactured at our facility. Every piece is crafted with precision to meet your project's requirements, ensuring Duralock's signature quality and durability.

OPTIONAL INSTALLATION & SUPERVISION.

Thanks to our innovative fencing systems and efficient installation methods, we minimise disruption to your daily operations—your facilities will not need to close during the process. Our fencing is easy to install with your own team, with our guided instructions & manuals, and we can be contacted throughout the process for any questions you have. We also have the optional expert installation team who will arrive on-site to set up your fencing system with precision and care. The duration of the installation depends on the scope of your project.

Alternatively to a full installation, we offer to send you one of our supervisors for the first period of installation who will train your team on site to reduce external high installation costs.

06

COMPLETION AND SIGN OFF & REFERRAL.

After completion, if you have used our expert installations team, we'll conduct a walk-through with you to ensure everything is installed to your satisfaction and meets our high standards. Once the project is complete, we'll ask you to sign off and confirm your satisfaction. We'd also love to hear your feedback through a quick survey a few weeks after. Refer a friend to Duralock and enjoy a treat on us!

07





 **VELİEFENDİ**
0.0
hipodrom
.com

98. GAZI

Veliefendi Racecourse, Istanbul

OVAL RUNNING RAIL.

OR-1270-1

Our race rail system can be found at equine establishments globally. The unique three component design includes a 6-metre safety rail, swan neck post and t-connector. This construction allows the running rail to breakaway in the event of a collision significantly reducing injury for both the horse and rider. The running rail can be installed both permanently or with a bespoke fixing so the fencing can be moved or taken down as required.

SIGNATURE OVAL RUNNING RAIL

for Racetracks, Training & Walkways



OR-1270-1

OVAL RUNNING RAIL

- Approved by The British Horse Racing Authority (BHA) and governing bodies worldwide
- Safe, durable and long-lasting
- 15 year warranty on UV stability

Available Colours



OR-1370-1

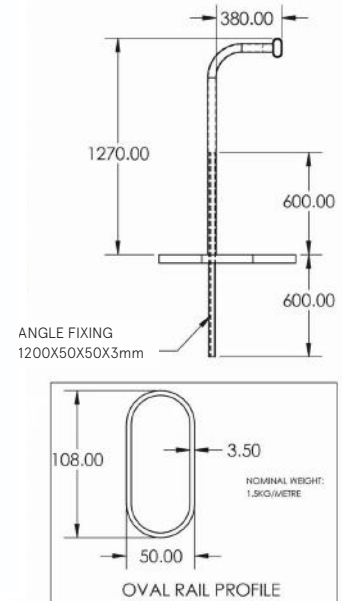
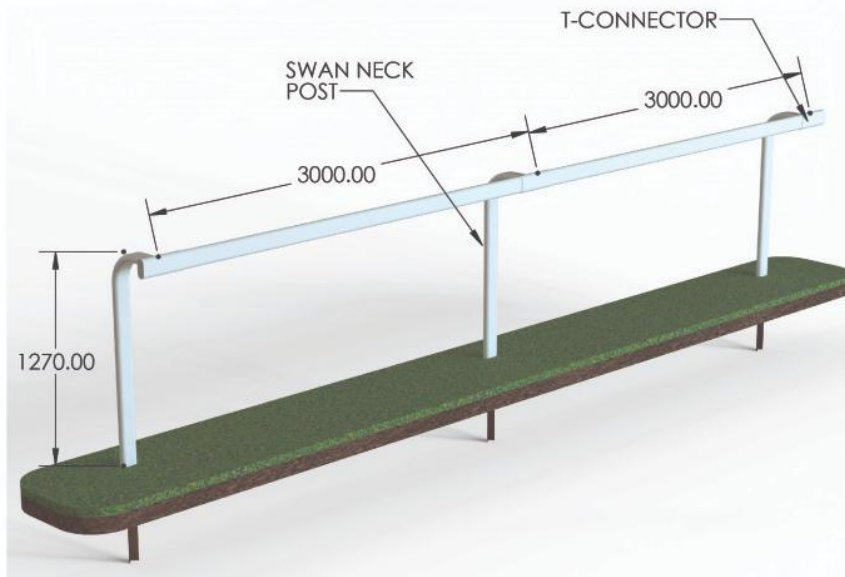
OVAL CAMEL RUNNING RAIL

- Special height to meet requirements for camel racing & training
- 25 years of business experience working in the Middle East
- Creating products that can be manufactured to withstand the highest temperature conditions

Available Colours



SIGNATURE OVAL RUNNING RAIL



OR-1270-1

All materials meet ISO 9001, ISO 14001, ISO 50001

Approved by The British Horse Racing Authority (BHA) and Governing bodies worldwide. Also available with a putlock fixing for a removable installation.

Components:

SWAN NECK POST

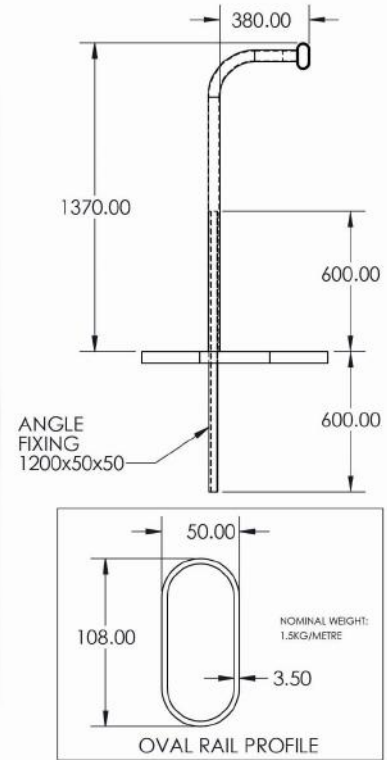
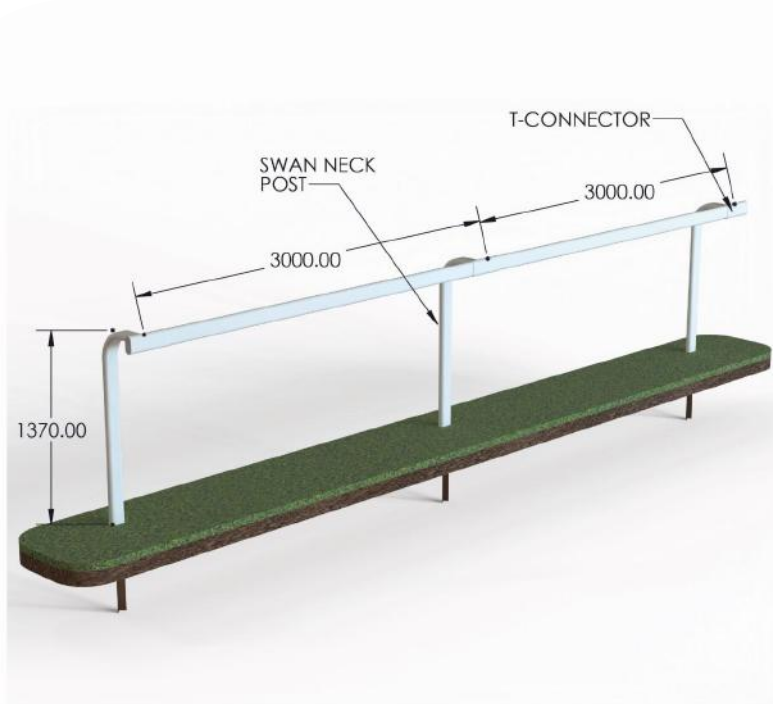
T-CONNECTOR

108MM X 50MM 6M RAIL

50MM X 50MM X 3MM, 1.2M LONG GROUND FIXING STEEL



OVAL CAMEL RUNNING RAIL



OR-1370-1

All materials meet ISO 9001, ISO 14001, ISO 50001

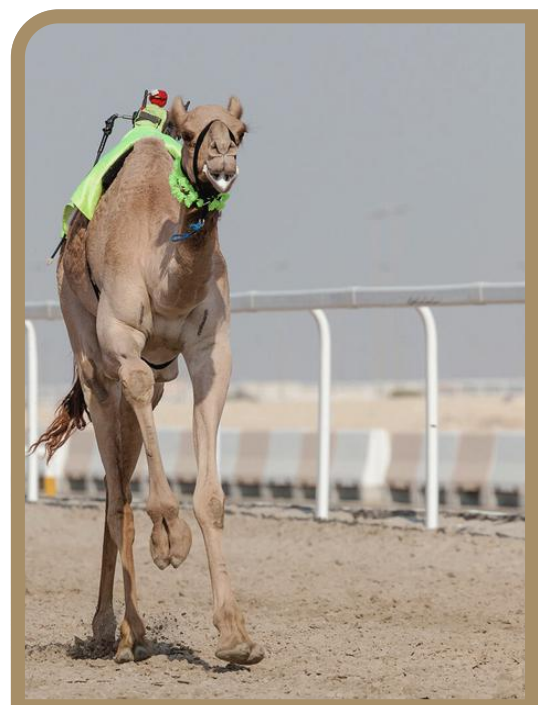
Components:

SWAN NECK POST

T-CONNECTOR

108MM X 50MM 6M RAIL

RANGE OF GROUND FIXING STEEL OPTIONS AVAILABLE TO SUIT YOUR REQUIREMENTS





GILLING.

Approved by The British Horse Racing Authority (BHA) and Governing bodies worldwide.

GILLING-RAIL-RA.002.SET

RACE RAIL: ALTERNATIVE DESIGNS

for Racetracks, Training & Walkways



RR-1270-1

ROUND RUNNING RAIL

Available Colours for the Posts



COMPONENTS:

3M POST CENTRE / 2M LENGTHS OF CORE & SLEEVE
45 DEGREE OVAL SWAN NECK POST WITH DIMPLE
50 X 50 X 3MM, 1.2M GROUND FIXING STEEL



GILLING-RAIL-RA.002.SET

GILLING RUNNING RAIL

Available Colours for the Posts



Designed to meet BHA specifications. Lightweight and easy to reposition, it features spigots in two size options to accommodate varying needs.



OR-1000-1-ICE

ICELANDIC RUNNING RAIL

Available Height: 500MM, 1000MM, 1100MM

Available Colours



COMPONENTS:

SWAN NECK POST - REDUCED HEIGHT
T-CONNECTOR
108MM X 50MM 6M RAIL
50MM X 50MM X 3MM, 1.2M LONG GROUND FIXING STEEL



OVAL MIDCOURSE RUNNING RAIL.

MC-1270-2-600

OVAL MIDCOURSE RUNNING RAIL

for Racetracks, Training Tracks, Winners Circles & Walkways



MC-1270-2-600

OVAL MIDCOURSE RUNNING RAIL

Available Colours



COMPONENTS:

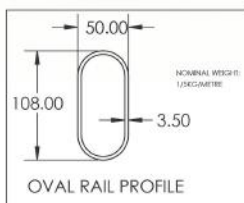
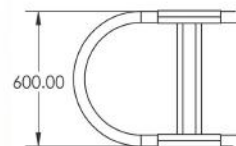
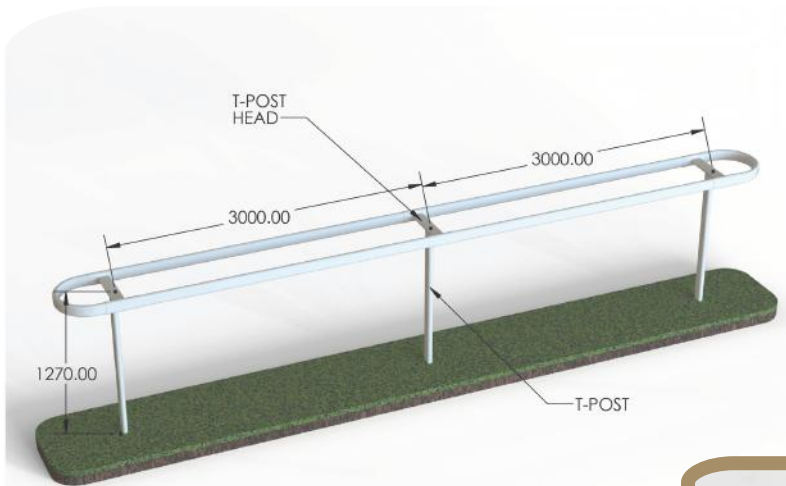
2 NO. 6M RAIL WITH CONNECTOR

1 NO. T-POST HEAD & LEG

2 NO. T-CONNECTOR

80MM X 40MM X 3MM, 1.5M BOX STEEL GROUND FIXING

BULL NOSE END (ADDITIONAL ACCESSORY TO BE PURCHASED SEPERATELY)



SLIP RAIL KITS.

Compatible with Duralock Oval Running Rail

SLIPRAIL-KIT-3/4M



SIGNATURE OVAL RUNNING RAIL

for Racetracks, Training & Walkways



SLIP-RAIL-KIT-3-4M

3-4M SLIPRAIL KIT FOR OVAL RUNNING RAIL

Telescopic slip rail to be installed within Duralock Running Rail to create a 3M access.

Available Colours



SLIPRAIL-KIT-6-8M

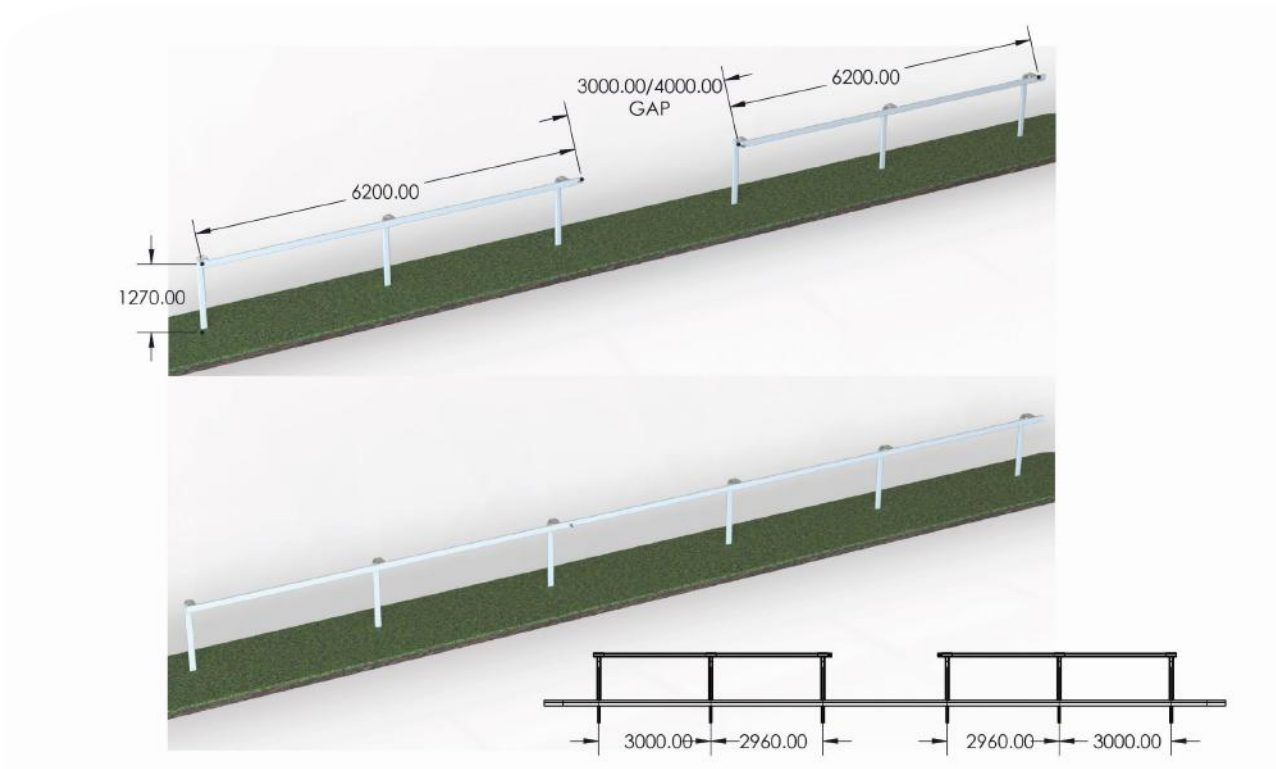
6-8M SLIPRAIL KIT FOR OVAL RUNNING RAIL

Telescopic slip rail to be installed within Duralock Running Rail to create a 6 to 8M access.

Available Colours



3-4M SLIPRAIL KIT FOR OVAL RUNNING RAIL



SLIP-RAIL-KIT-3-4M

All materials meet ISO 9001, ISO 14001, ISO 50001

Compatible with Duralock Oval Running Rail Systems

Components:

2 NO. OUTER RAILS

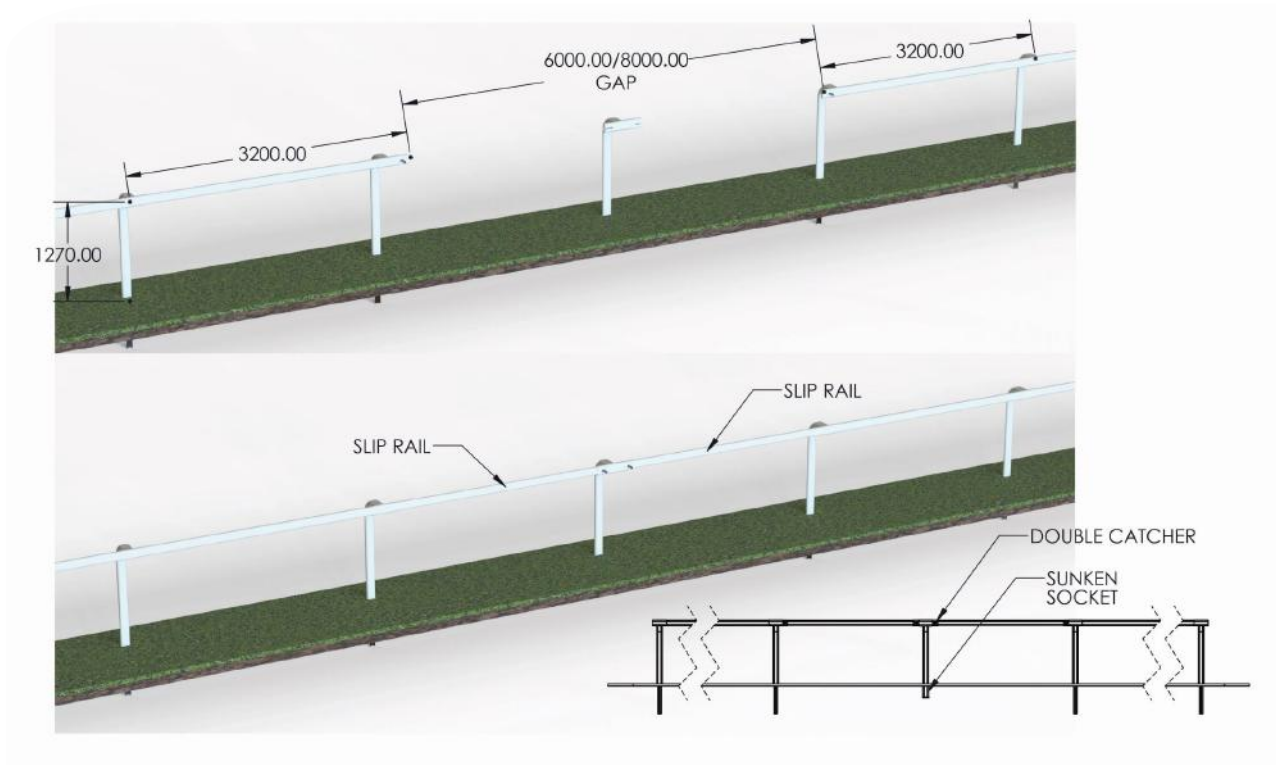
1 SLIDING RAIL WITH HANDLE

6 NO. SWAN NECK POST

6 NO. T-CONNECTOR



6-8M SLIPRAIL KIT FOR OVAL RUNNING RAIL



SLIPRAIL-KIT-6-8M

All materials meet ISO 9001, ISO 14001, ISO 50001

Compatible with Duralock Oval Running Rail Systems

Components:

2 NO. OUTER RAILS

2 NO. SLIDING RAIL WITH HANDLE

EXTENDED REMOVABLE SWAN NECK POST

RAIL SUNKEN SOCKET

DOUBLE CATCHER

6 NO. SWAN NECK POST

6 NO. T-CONNECTOR



CROWD BARRIER.

CM-1200-3-L

Our crowd barrier is designed to guide and protect. It's available in varying heights and styles to meet your project requirements. The weldmesh infill offers enhance safety in areas where horses and spectators are at risk. The rounded rail edges and concealed fixing provide the safest crowd control in the market.

CROWD BARRIER

for managing crowd control in Spectator Areas, Parade Rings & Walkways



CM-1200-3-L

DURALOCK CROWD BARRIER WITH WELDMESH INFILL

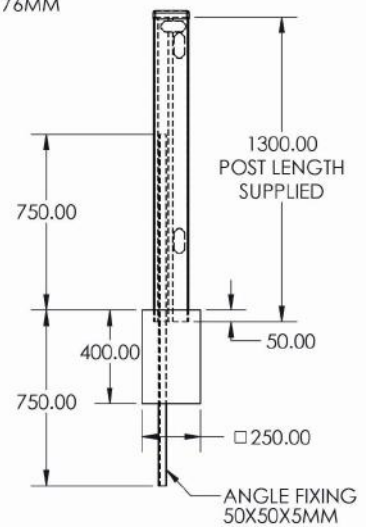
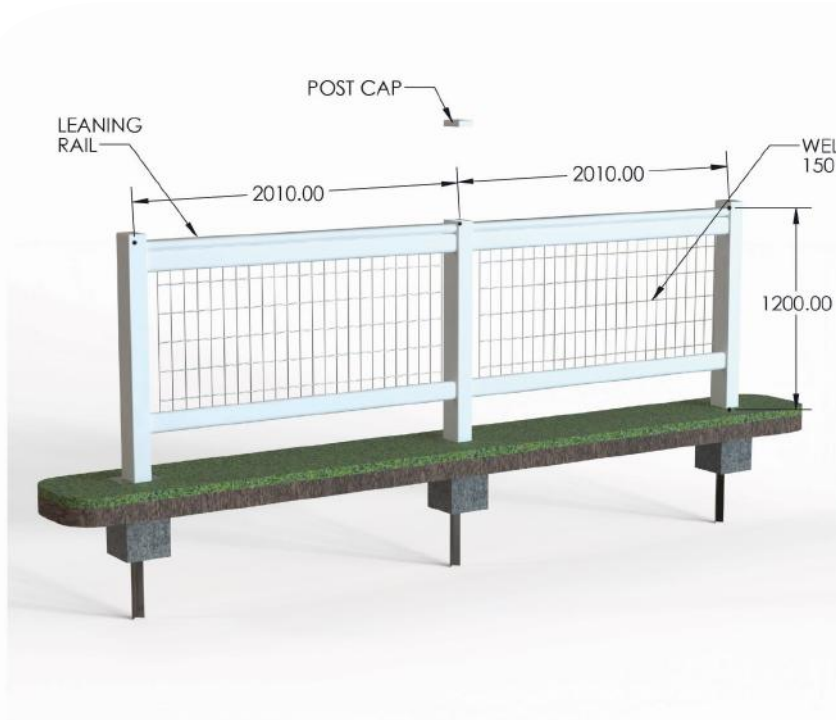
- Available with a sunken socket ground fixing for a demountable installation.

Available Colours



Components:

- 100MM X 150MM POST
- 100MM X 150MM POST CAP
- 150 X 75MM WELDMESH PANEL
- 108MM X 50MM DRILLED RAIL
- 108MM X 50MM TOP RAIL
- 50MM X 50MM X 3MM, 1.5M GROUND FIXING STEEL



CROWD BARRIER: ALTERNATIVE DESIGNS

for managing crowd control in Spectator Areas, Parade Rings & Walkways



CT-1200-4-L

CHANTILLY STYLE

Available Colours



Components:

100MM X 150MM POST

100MM X 150MM POST CAP

TUBE PANEL

108MM X 50MM DRILLED RAIL

108MM X 50MM TOP RAIL

50MM X 50MM X 3MM, 1.5M GROUND FIXING STEEL



CT-1200-2

CROWD BARRIER WITH TUBE INFILL

Available Colours



Components:

100MM X 150MM POST

100MM X 150MM POST CAP

TUBE PANEL

108MM X 50MM DRILLED RAIL

108MM X 50MM TOP RAIL

50MM X 50MM X 3MM, 1.5M GROUND FIXING STEEL

CHANTILLY STYLE

CT-1200-4-L



18FT JUMP WING.

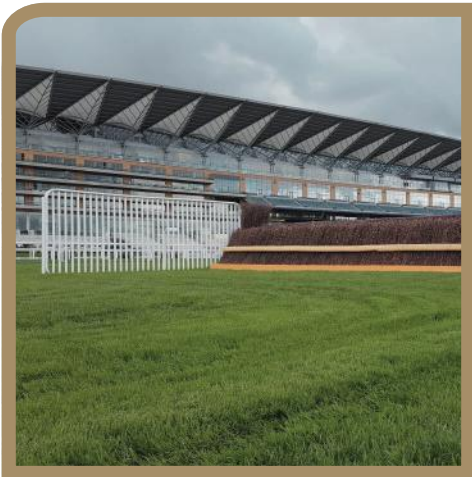
Compatible with training and racing hurdles.

Jump-Wing-18FT



18FT JUMP WING

Ancillary items



Jump-Wing-18FT

18FT JUMP WING

- Compatible with training and racing hurdles.
- Available sizes - 10ft, 18ft, 24ft

Available Colours



COMPONENTS:

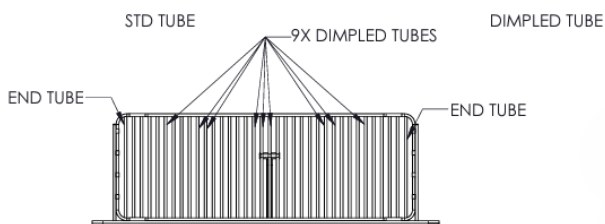
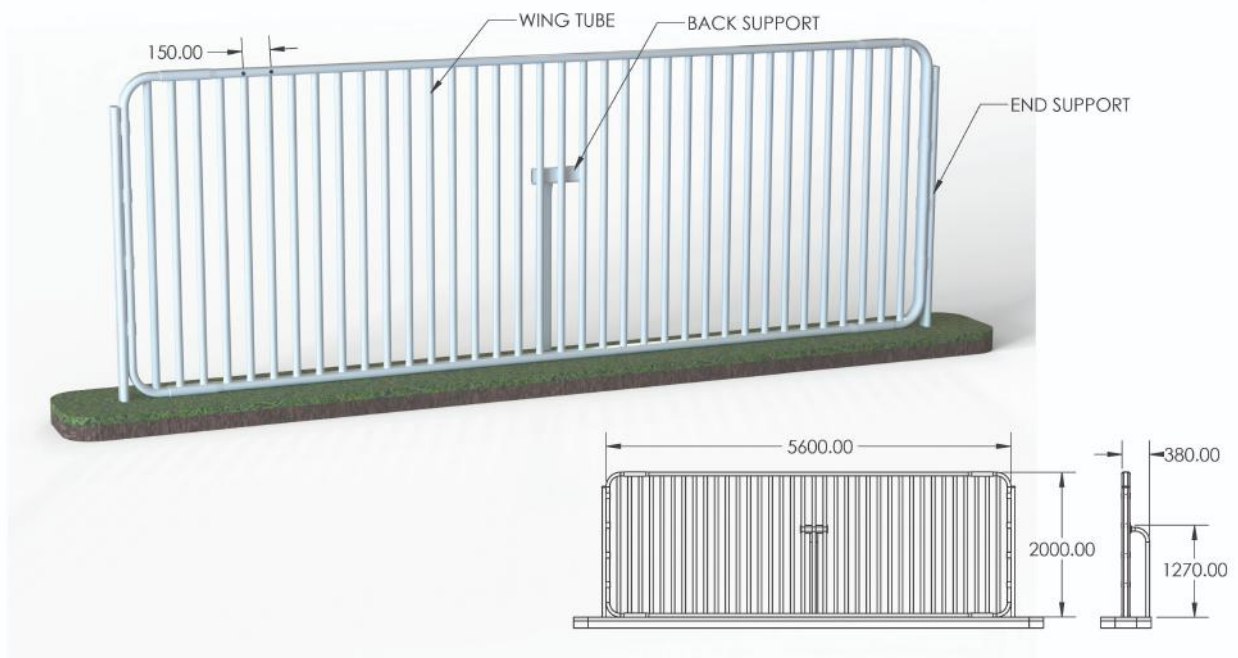
2 NO. JUMP WING END WITH TUBE FITTED

2 NO. JUMP WING TOP/BOTTOM (AS THEY ARE THE SAME)

25 NO. STANDARD 50MM TUBES

9 NO. DIMPLED 50MM TUBES

SUPPORT POSTS FOR ENDS AND BACK IF REQUIRED



POST AND RAIL.

Ideal for paddocks and arenas.

PR-1500-3

Our post and rail system, featuring unique oval connector rails and an exceptionally stable installation method suitable for all ground conditions, stands as the safest and most durable fencing solution on the market.

POST AND RAIL.

for Arenas, Paddocks & Walkways



PR-1200-2

POST AND 2 RAIL FENCING 1200MM HIGH

- Also available with a sunken socket ground fixing for a demountable installation.
- Adjustable rail spacing to accommodate various requirements.
- Customisable heights to suit different applications.

Available Colours



PR-1300-3

POST AND 3 RAIL FENCING 1300MM HIGH

- Also available with a sunken socket ground fixing for a demountable installation.
- Adjustable rail spacing to accommodate various requirements.

Available Colours



PR-1500-3

POST AND 3 RAIL FENCING 1500MM HIGH

- Also available with a sunken socket ground fixing for a demountable installation.
- Adjustable rail spacing to accommodate various requirements.

Available Colours



PR-1500-4

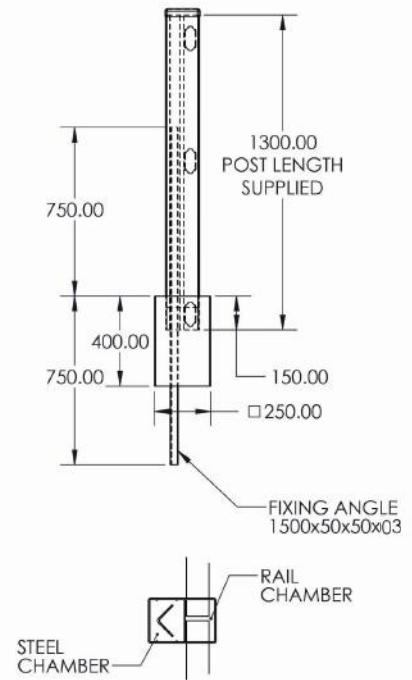
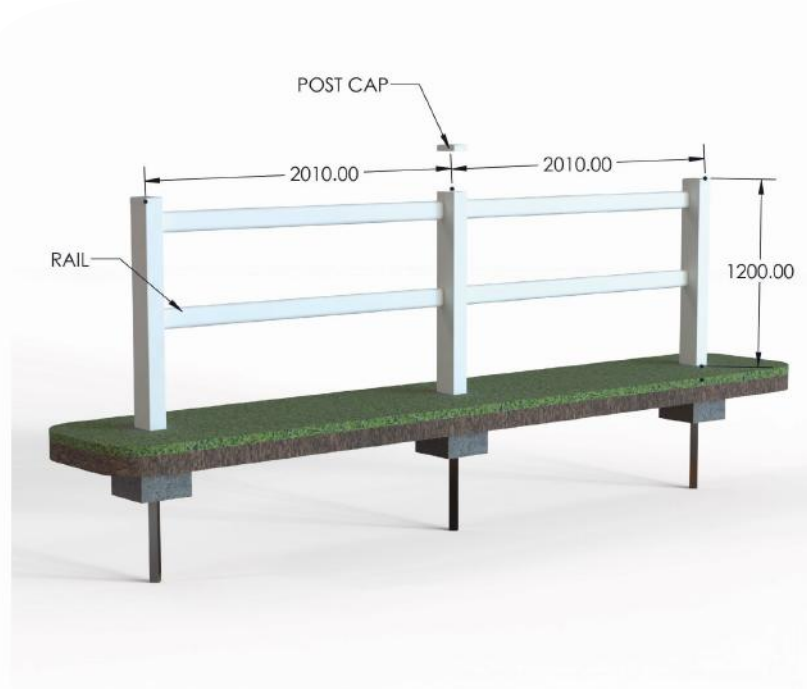
POST AND 4 RAIL FENCING 1500MM HIGH

- Also available with a sunken socket ground fixing for a demountable installation.
- Adjustable rail spacing to accommodate various requirements.

Available Colours



POST AND 2 RAIL 1200MM HIGH



PR-1200-2

All materials meet ISO 9001, ISO 14001, ISO 50001

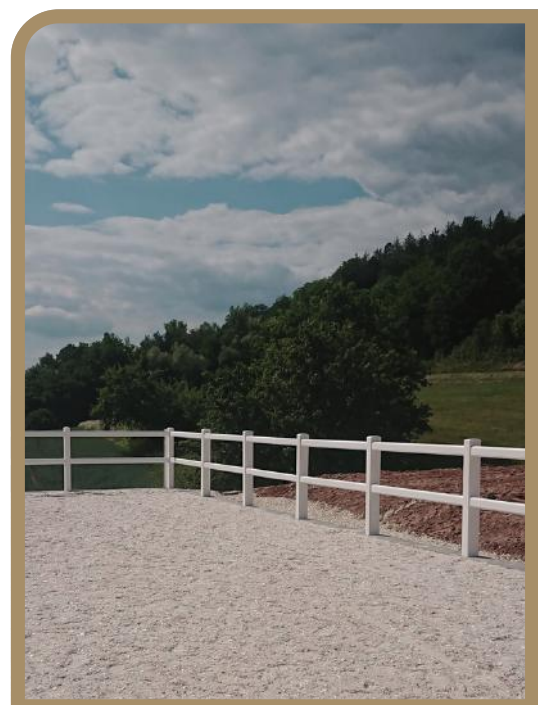
Components:

100MM X 150MM POST

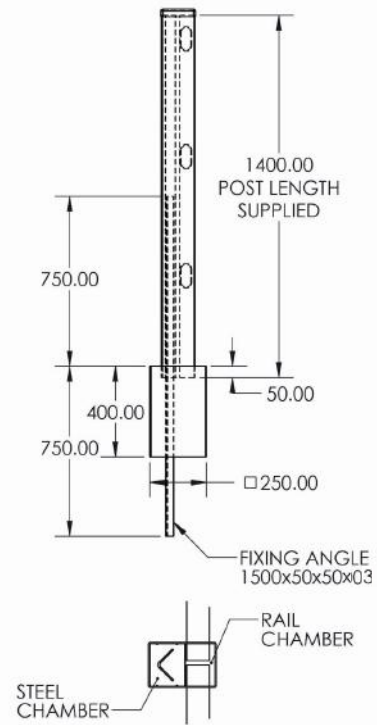
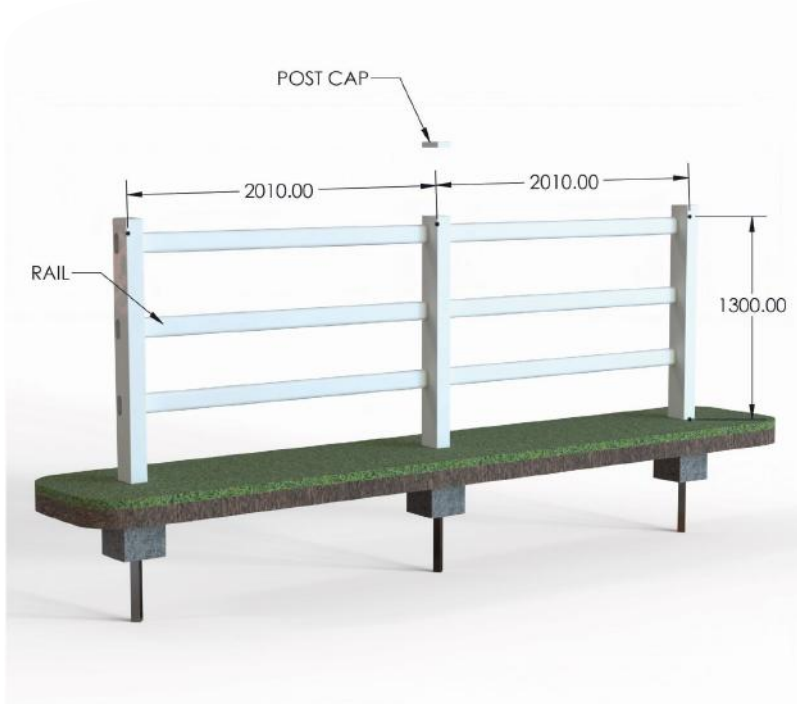
100MM X 150MM POST CAP

108MM X 50MM 4M RAIL

50MM X 50MM X 3MM, 1.5M GROUND FIXING STEEL



POST AND 3 RAIL 1300MM HIGH



PR-1300-3

All materials meet ISO 9001, ISO 14001, ISO 50001

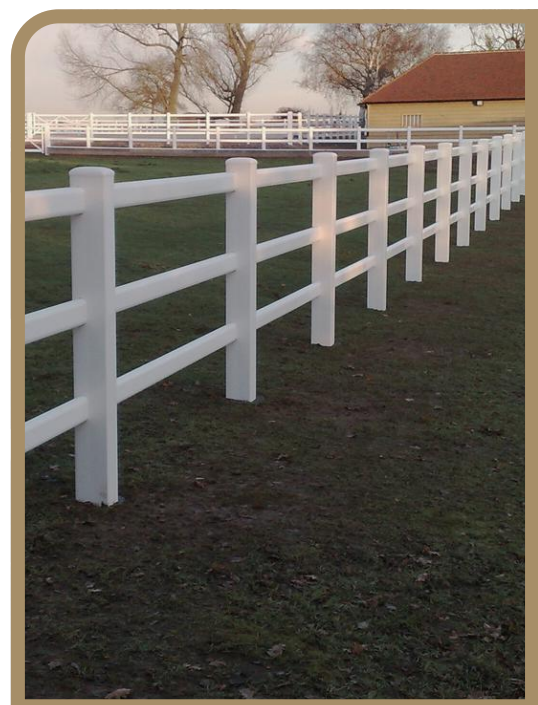
Components:

100MM X 150MM POST

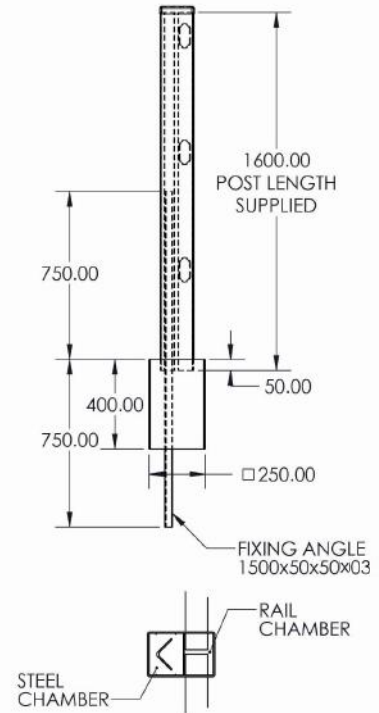
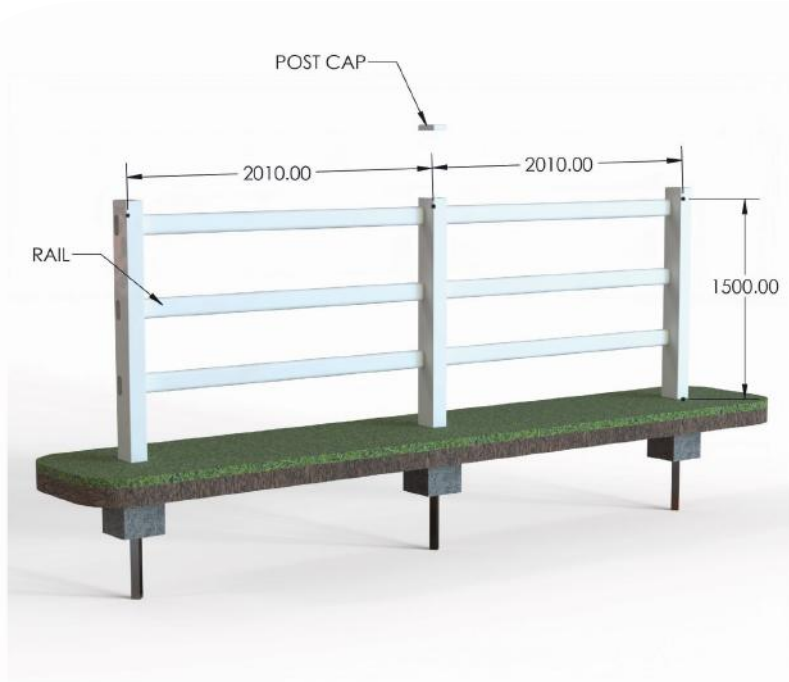
100MM X 150MM POST CAP

108MM X 50MM 4M RAIL

50MM X 50MM X 3MM, 1.5M GROUND FIXING STEEL



POST AND 3 RAIL 1500MM HIGH



PR-1500-3

All materials meet ISO 9001, ISO 14001, ISO 50001

Components:

100MM X 150MM POST

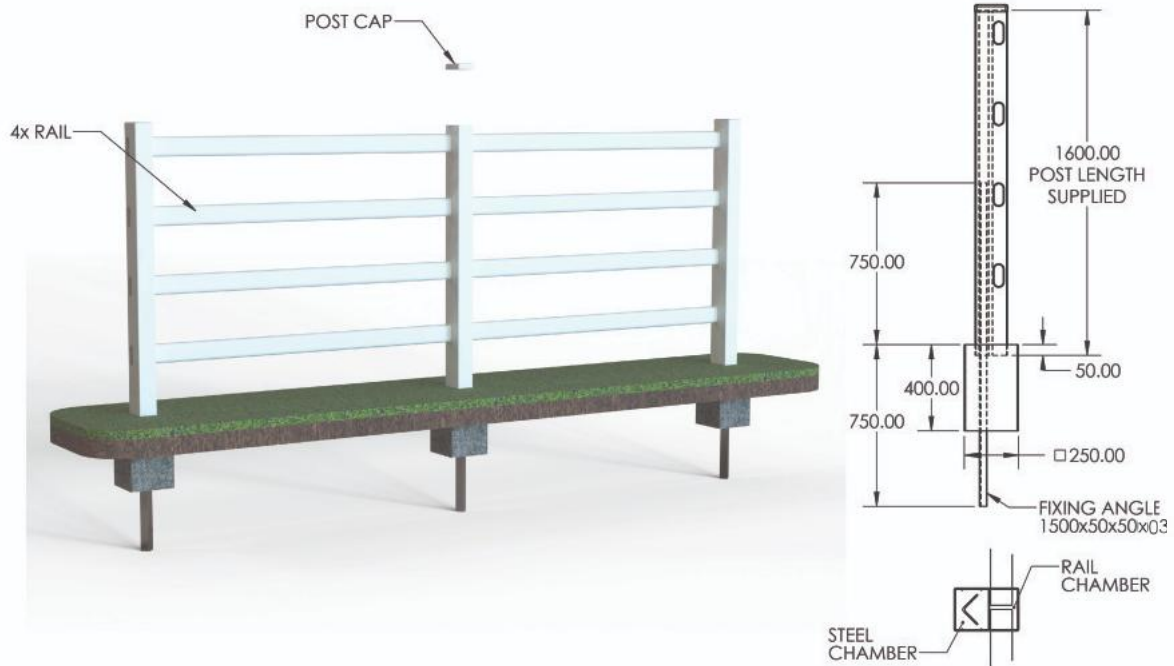
100MM X 150MM POST CAP

108MM X 50MM 4M RAIL

50MM X 50MM X 3MM, 1.5M GROUND FIXING STEEL



POST AND 4 RAIL 1500MM HIGH



PR-1500-4

All materials meet ISO 9001, ISO 14001, ISO 50001

Components:

100MM X 150MM POST

100MM X 150MM POST CAP

108MM X 50MM 4M RAIL

50MM X 50MM X 3MM, 1.5M LONG GROUND FIXING STEEL



GATES.

Matches fencing style



POST AND RAIL GATES.

Matches fencing style



PR-GATE-1.5M-SINGLE

POST AND RAIL SINGLE 1.5M WIDE PEDESTRIAN GATE

- To match fencing style.
- Wide enough for disabled access
- To include drop bolt and loop catch fixings

Available Colours



PR-GATE-2M-SINGLE

POST AND RAIL SINGLE 2M WIDE GATE

- To match fencing style.
- To include drop bolt and loop catch fixings

Available Colours



PR-GATE-1.5M-PAIR

PAIR OF 1.5M WIDE POST AND RAIL GATES

- 3m double gate
- To match fencing style
- To include drop bolt and loop catch fixings

Available Colours



PR-GATE-2M-PAIR

PAIR OF 2M WIDE POST AND RAIL GATES

- 4m double gate
- To match fencing style.
- Wide enough for machinery & ambulance access
- To include drop bolt and loop catch fixings

Available Colours



POST AND RAIL GATES.

Matches fencing style

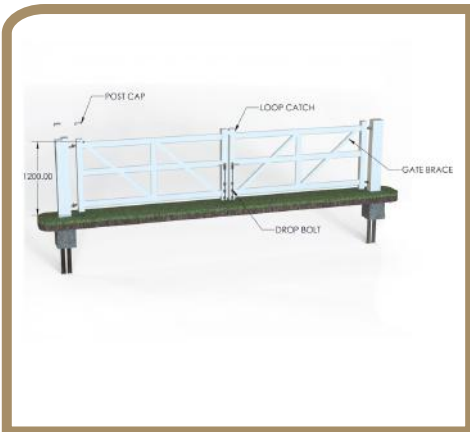


PR-1100-2-GATE-KIT-2500-LH

POST AND RAIL SINGLE 2.5M WIDE PEDESTRIAN GATE

- 5m double gate
- To match fencing style.
- To include drop bolt and loop catch fixings

Available Colours



PR-1200-2-GATE-KIT-2500-PAIR

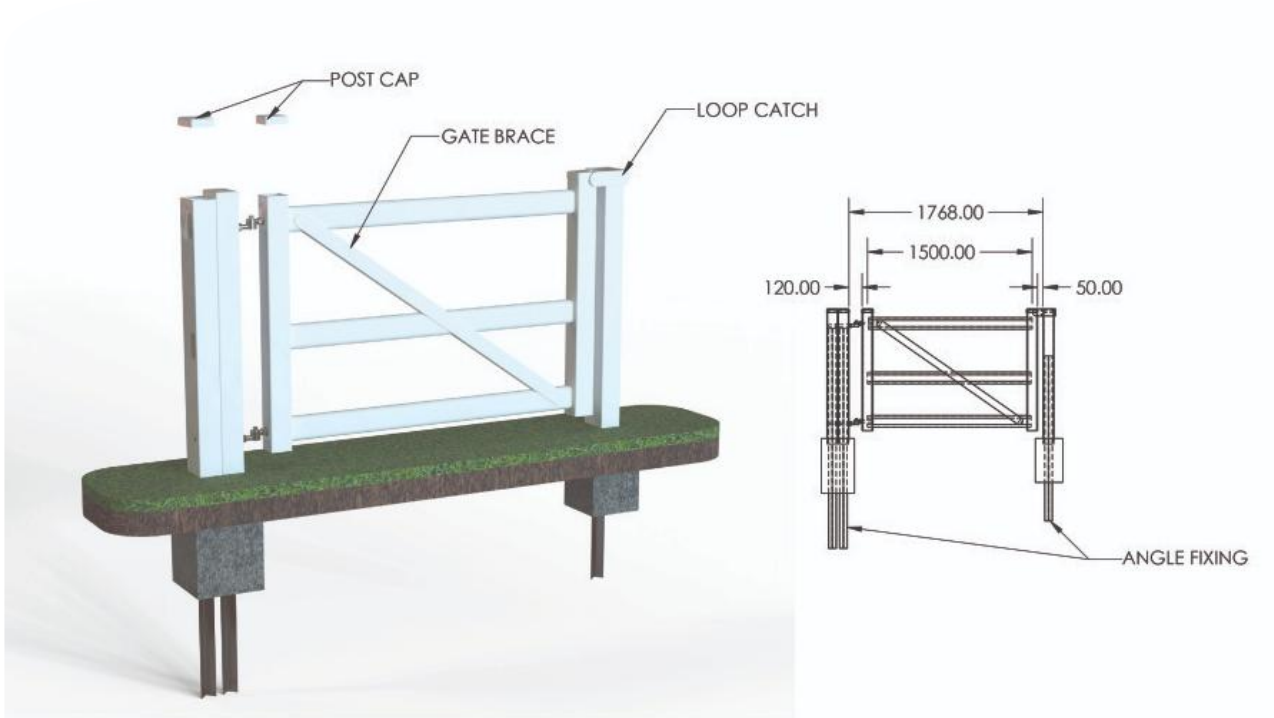
PAIR OF 2.5M WIDE POST AND RAIL GATES

- To match fencing style.
- To include drop bolt and loop catch fixings

Available Colours



POST AND RAIL SINGLE 1.5M WIDE PEDESTRIAN GATE



PR-GATE-1.5M-SINGLE

All materials meet ISO 9001, ISO 14001, ISO 50001
To match fencing style.

Components:

1.5M WIDE GATE

DOUBLE HANGING POST WITH POSTCAP

100MM X 150MM CLOSING POST

LOOP CATCH

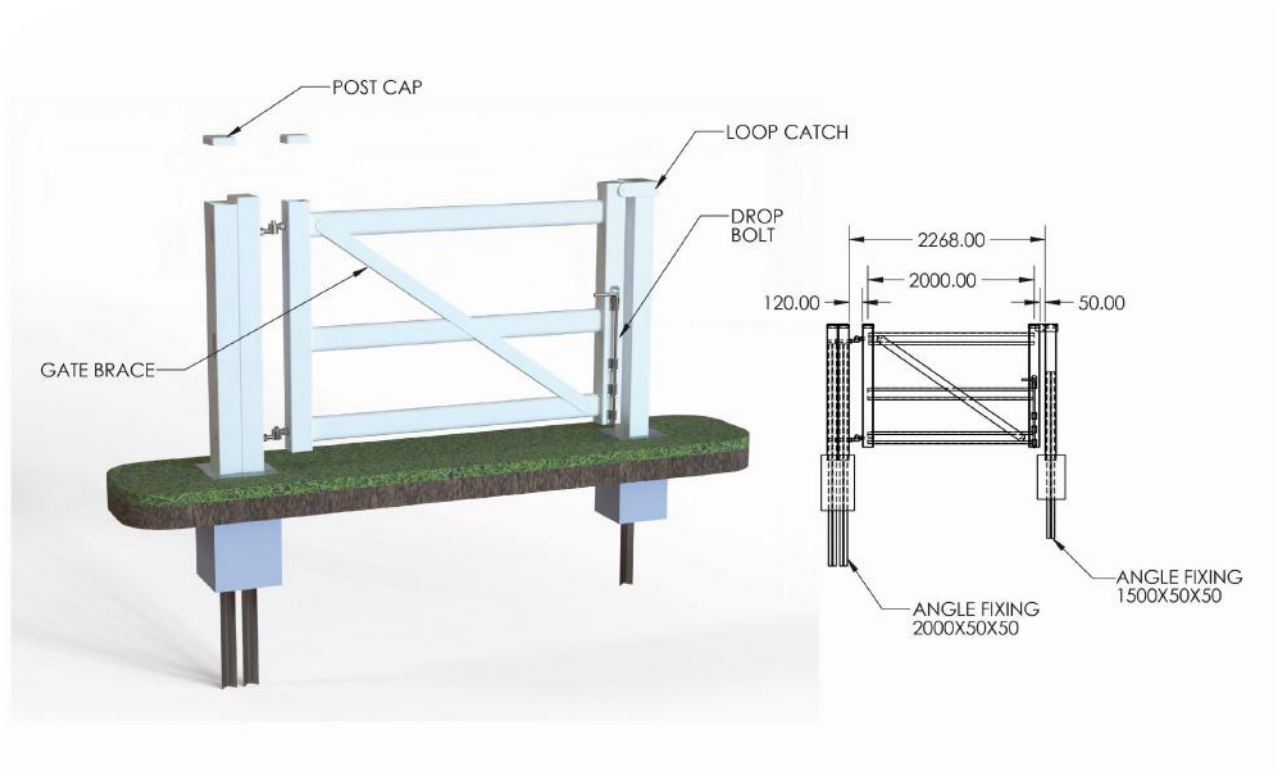
DROP BOLT

50MM X 50MM X 5MM, 2M GROUND FIXING STEEL

2M ROD GROUND FIXING



POST AND RAIL SINGLE 2M WIDE GATE



PR-GATE-2M-SINGLE

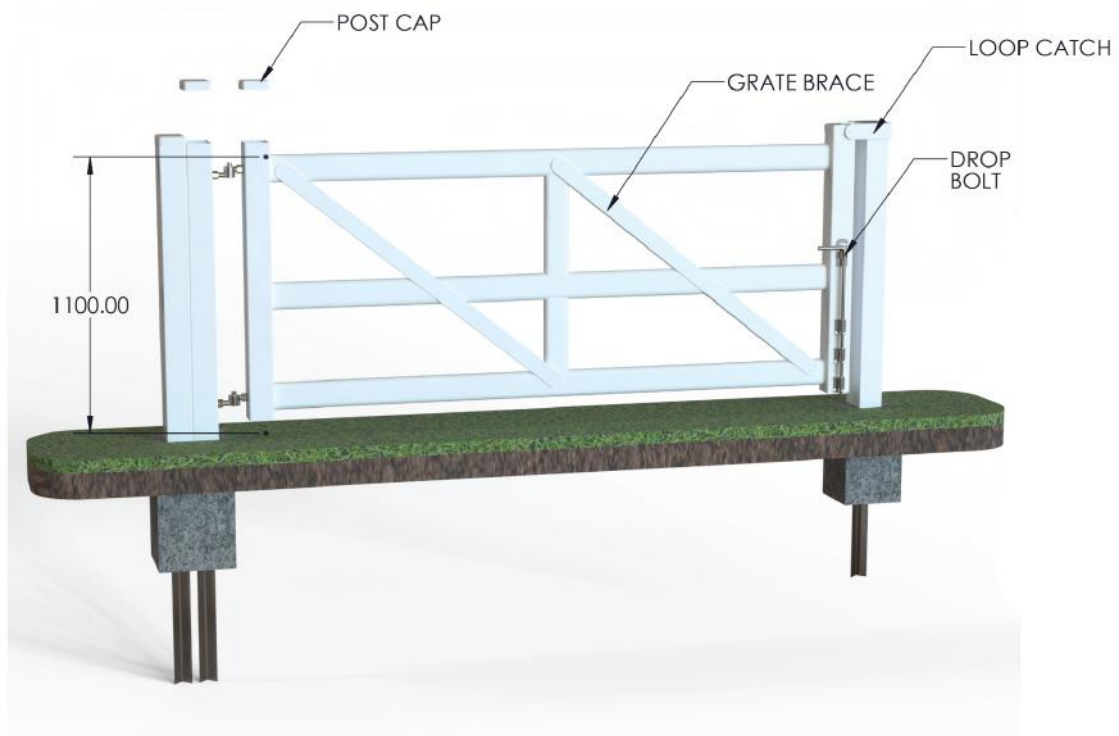
All materials meet ISO 9001, ISO 14001, ISO 50001
To match fencing style.

Components:

- 1 NO. 2M WIDE GATE
- 1 NO. DOUBLE HANGING POST WITH POSTCAP
- 1 NO. CLOSING POST WITH POST CAP
- LOOP CATCH
- 1 NO. DROP BOLT
- 50MM X 50MM X 5MM, 2M GROUND FIXING STEEL
- 2M ROD GROUND FIXING



POST AND RAIL SINGLE 2.5M WIDE PEDESTRIAN GATE

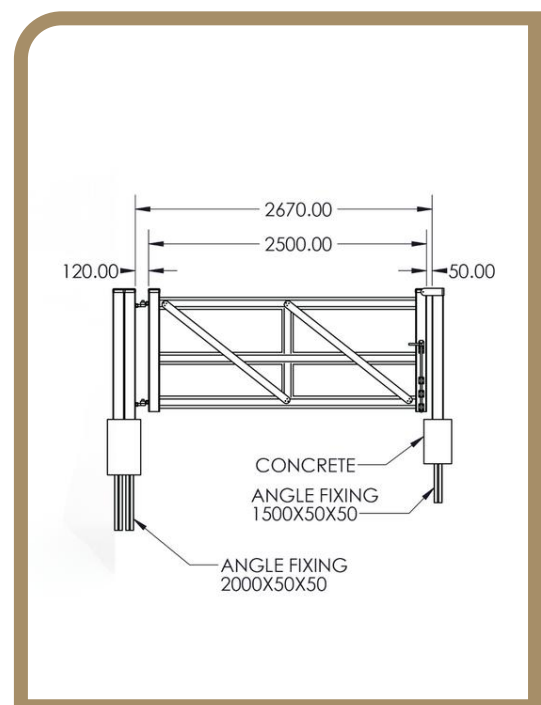


PR-1100-2-GATE-KIT-2500-LH

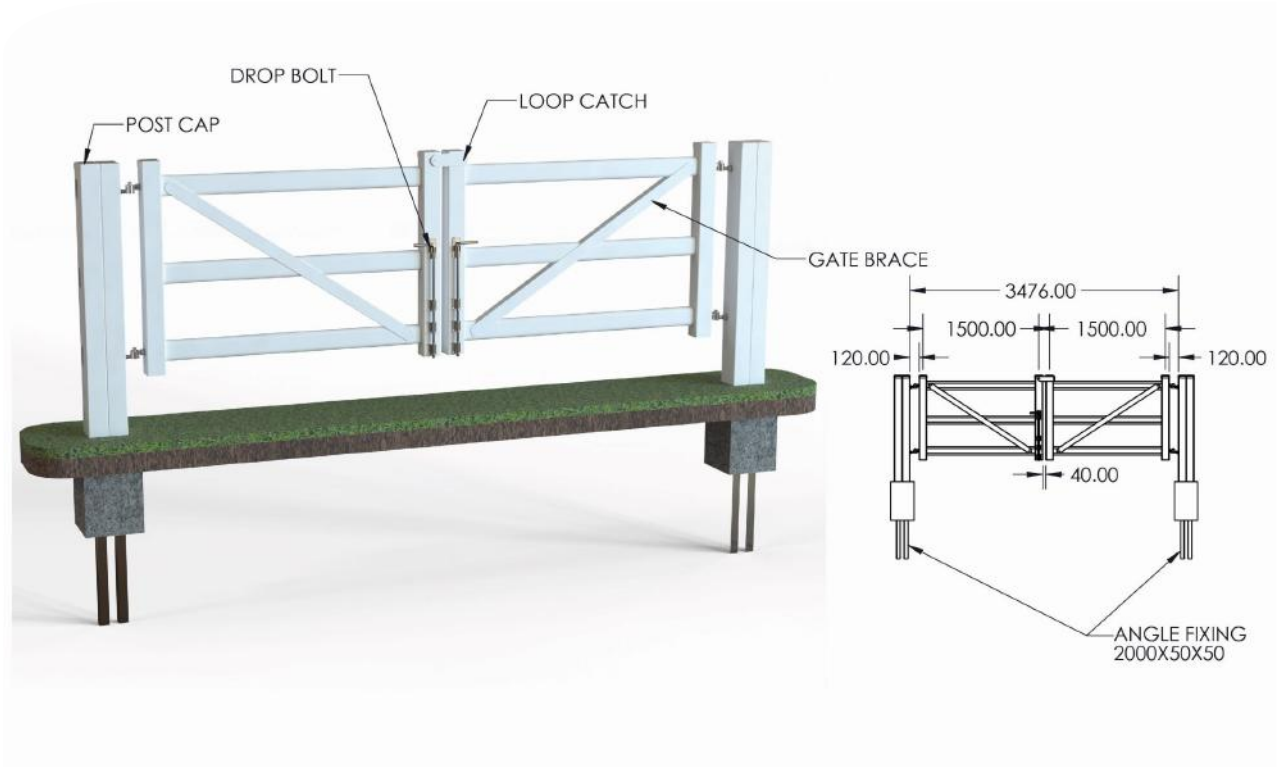
All materials meet ISO 9001, ISO 14001, ISO 50001
To match fencing style.

Components:

- 1 NO. 2.5M WIDE GATE
- DOUBLE HANGING POST WITH POSTCAP
- 100MM X 150MM CLOSING POST WITH POSTCAP
- LOOP CATCH
- DROP BOLT
- 50MM X 50MM X 5MM, 2M GROUND FIXING STEEL
- 2M ROD GROUND FIXING



PAIR OF 1.5M WIDE POST AND RAIL GATES



PR-GATE-1.5M-PAIR

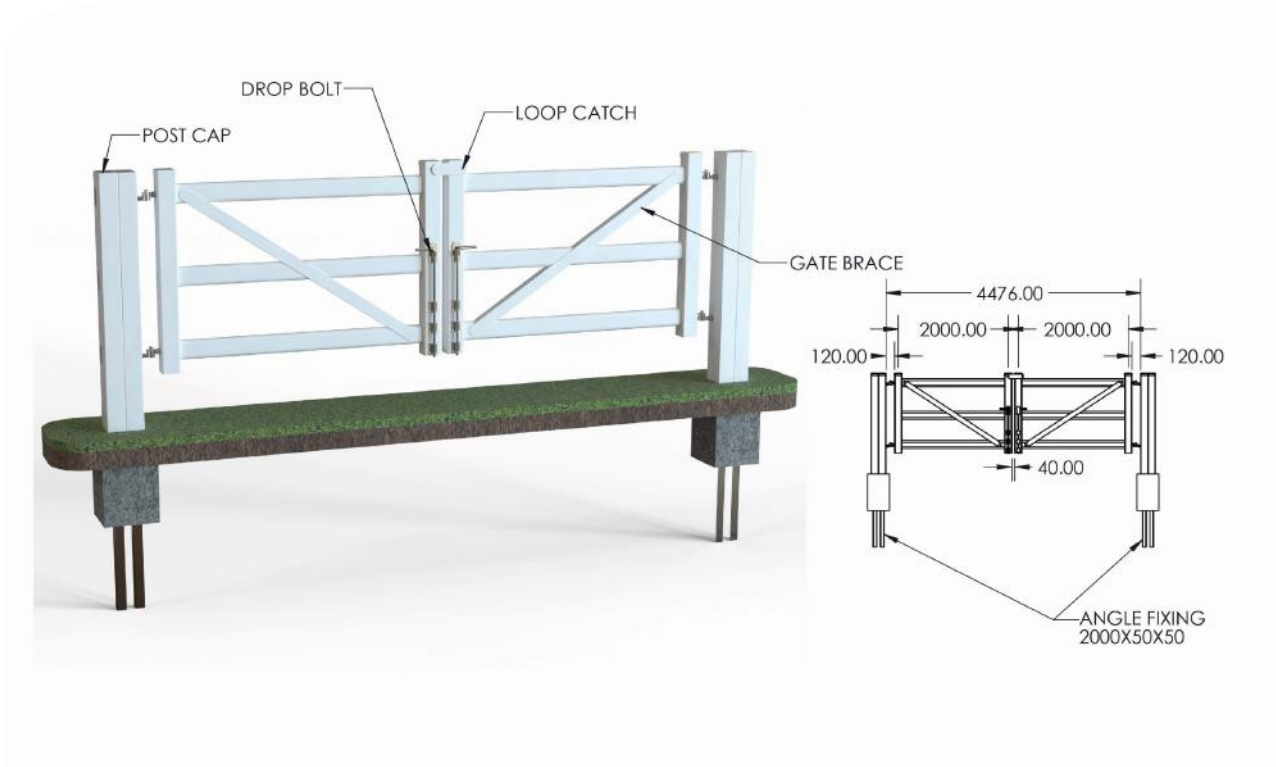
All materials meet ISO 9001, ISO 14001, ISO 50001
To match fencing style.

Components:

- 2 NO. 1.5M WIDE GATE
- 2 NO. DOUBLE HANGING POST WITH POSTCAP
- LOOP CATCH
- 2 NO. DROP BOLT
- 50MM X 50MM X 5MM, 2M GROUND FIXING STEEL
- 2M ROD GROUND FIXING



PAIR OF 2M WIDE POST AND RAIL GATES



PR-GATE-2M-PAIR

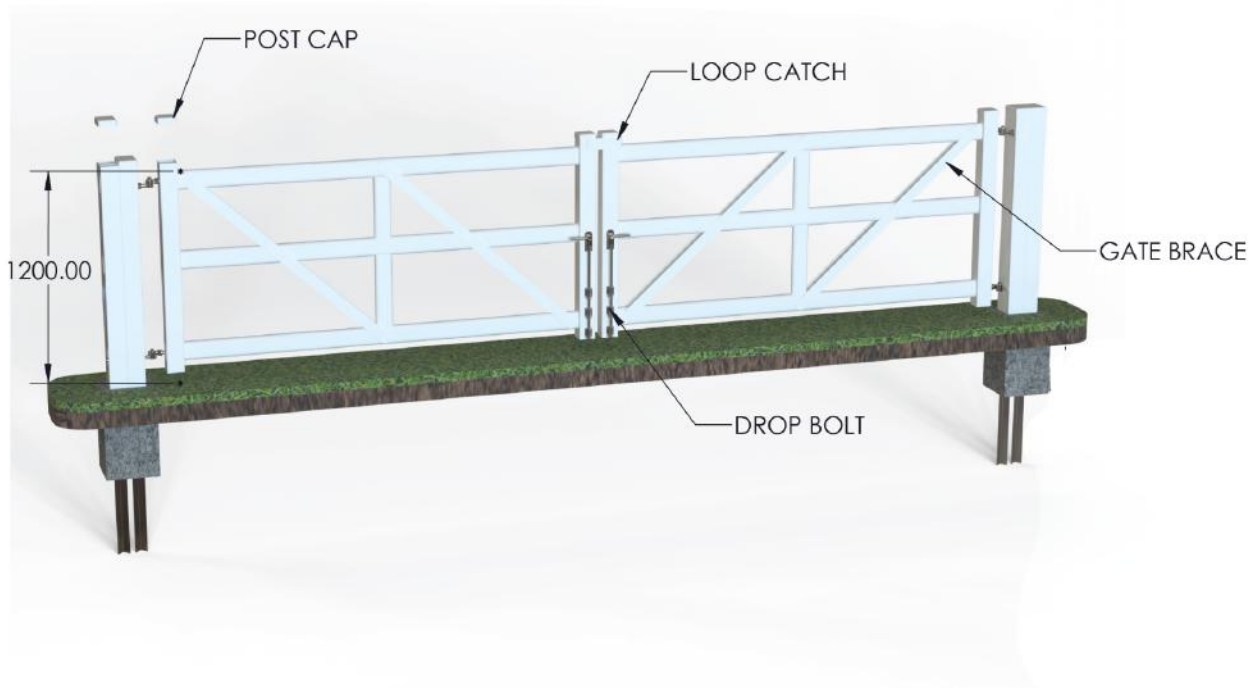
All materials meet ISO 9001, ISO 14001, ISO 50001
To match fencing style.

Components:

- 2 NO. 2M WIDE GATE
- 2 NO. DOUBLE HANGING POST WITH POSTCAP
- LOOP CATCH
- 2 NO. DROP BOLT
- 50MM X 50MM X 5MM, 2M GROUND FIXING STEEL
- 2M ROD GROUND FIXING



PAIR OF 2.5M WIDE POST AND RAIL GATES

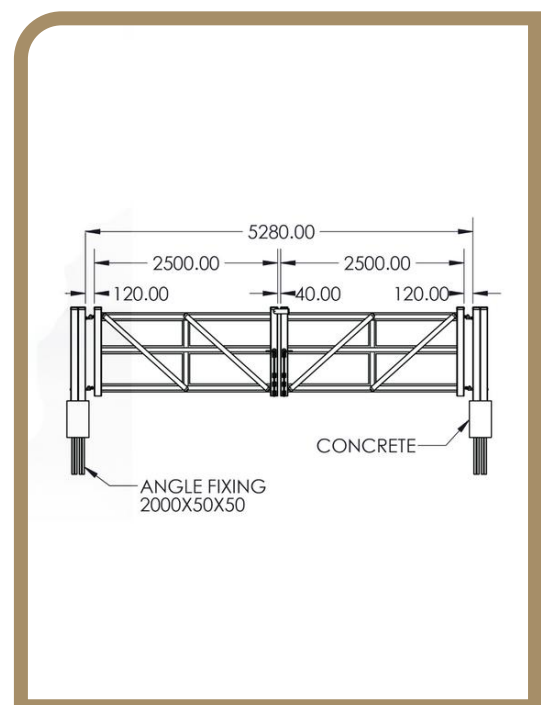


PR-1200-2-GATE-KIT-2500-PAIR

All materials meet ISO 9001, ISO 14001, ISO 50001
To match fencing style.

Components:

- 2 NO. 2.5M WIDE GATE
- 2 NO. DOUBLE HANGING POST WITH POSTCAP
- LOOP CATCH
- 2 NO. DROP BOLT
- 50MM X 50MM X 5MM, 2M GROUND FIXING STEEL
- 2M ROD GROUND FIXING



MESH SYSTEM GATES.

Matches fencing style



CM-GATE-1.5M-SINGLE

CROWD BARRIER SINGLE 1.5M WIDE
PEDESTRIAN GATE

- To match fencing style.

Available Colours



CM-GATE-2M SINGLE

SINGLE 2M WIDE CROWD BARRIER GATE

- To match fencing style.

Available Colours



CM-GATE-1.5M-PAIR

PAIR OF 1.5M WIDE CROWD BARRIER GATES

- To match fencing style.

Available Colours



CM-GATE-2M-PAIR

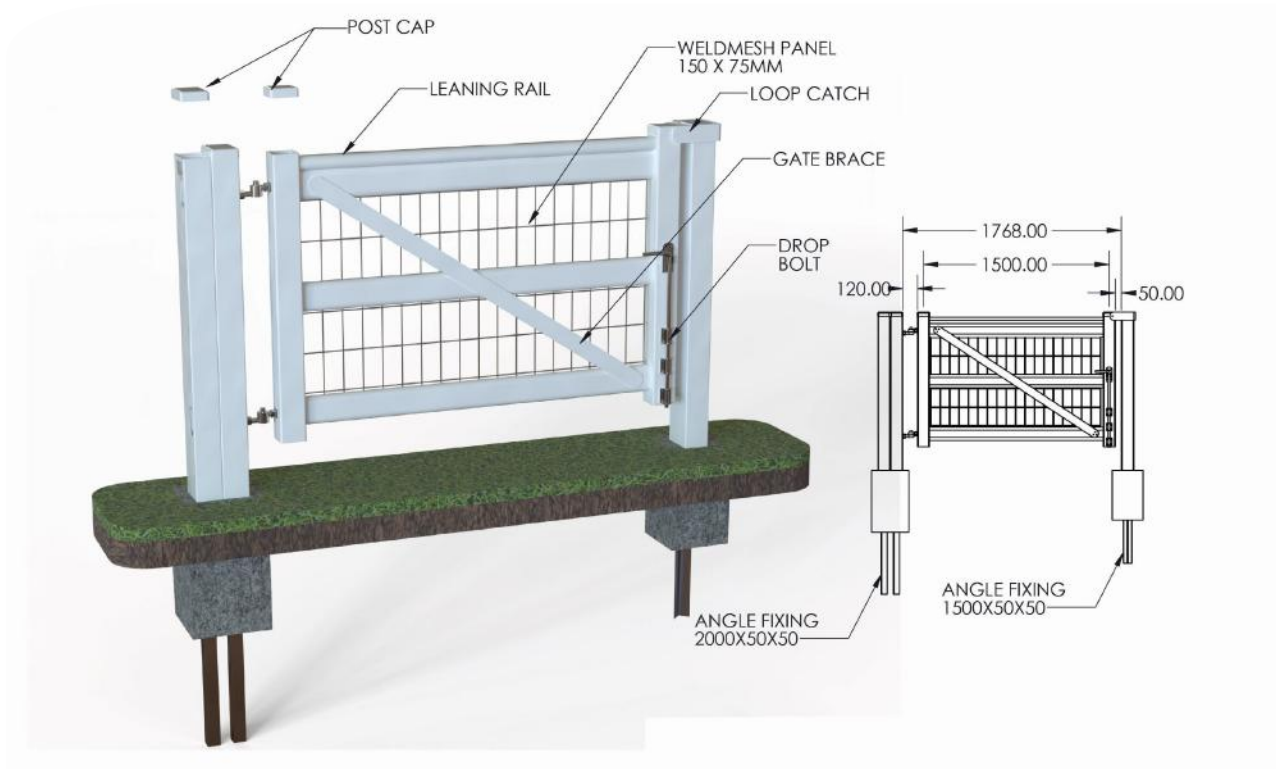
PAIR OF 2M WIDE CROWD BARRIER GATES

- To match fencing style.

Available Colours



CROWD BARRIER SINGLE 1.5M WIDE PEDESTRIAN GATE

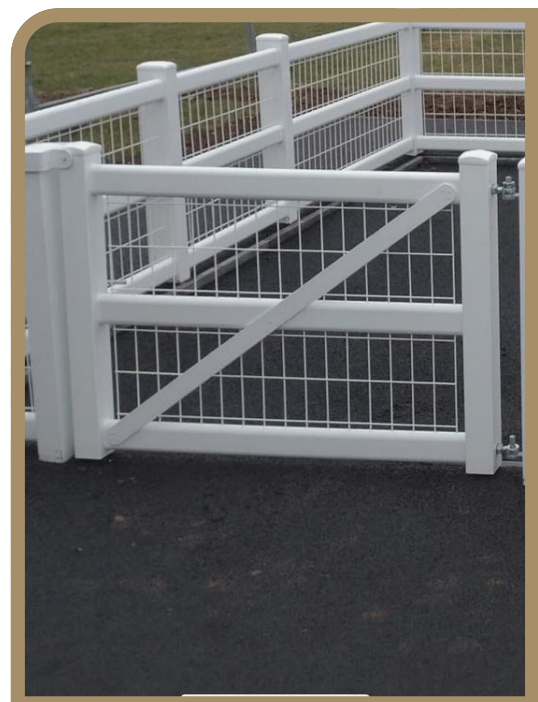


CM-GATE-1.5M SINGLE

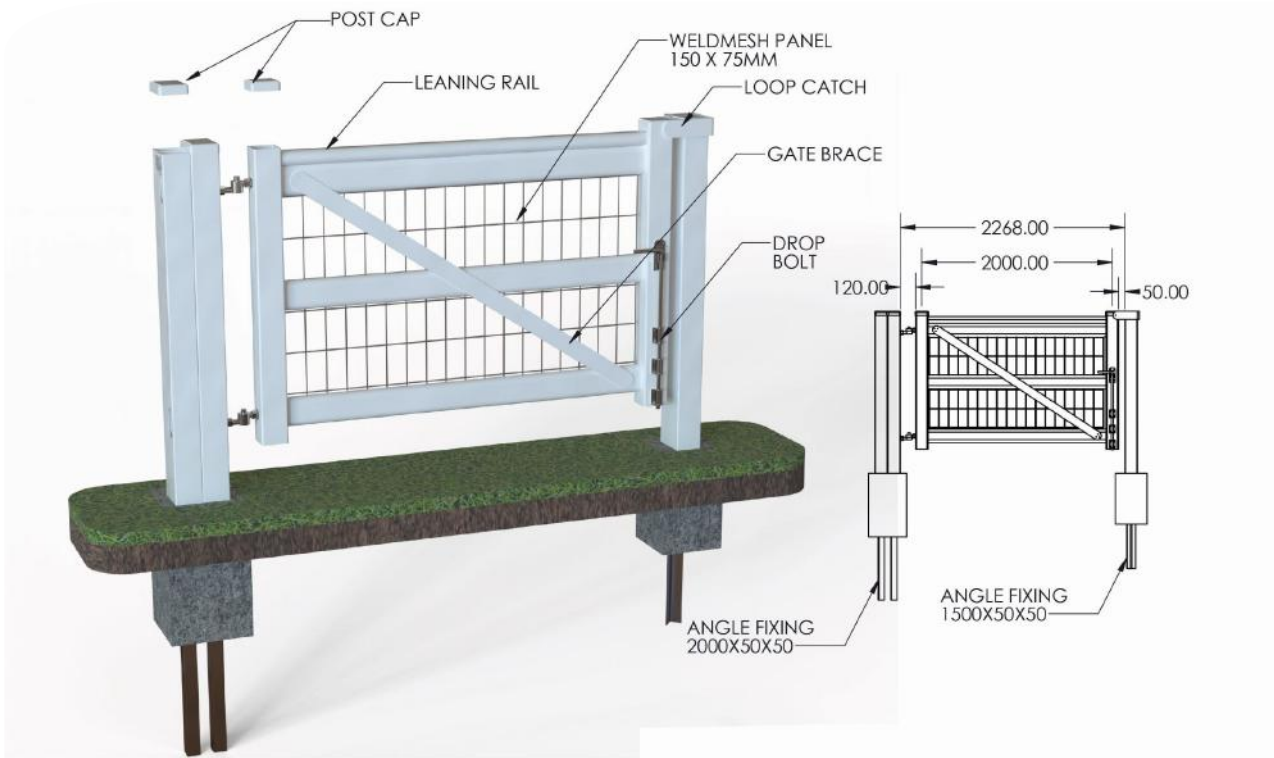
All materials meet ISO 9001, ISO 14001, ISO 50001
To match fencing style.

Components:

- 1 NO. 1.5M WIDE GATE
- DOUBLE HANGING POST WITH POSTCAP
- 100MM X 150MM CLOSING POST WITH POSTCAP
- LOOP CATCH
- DROP BOLT
- 50MM X 50MM X 5MM, 2M GROUND FIXING STEEL
- 2M ROD GROUND FIXING



SINGLE 2M WIDE CROWD BARRIER GATE



CM-GATE-2M SINGLE

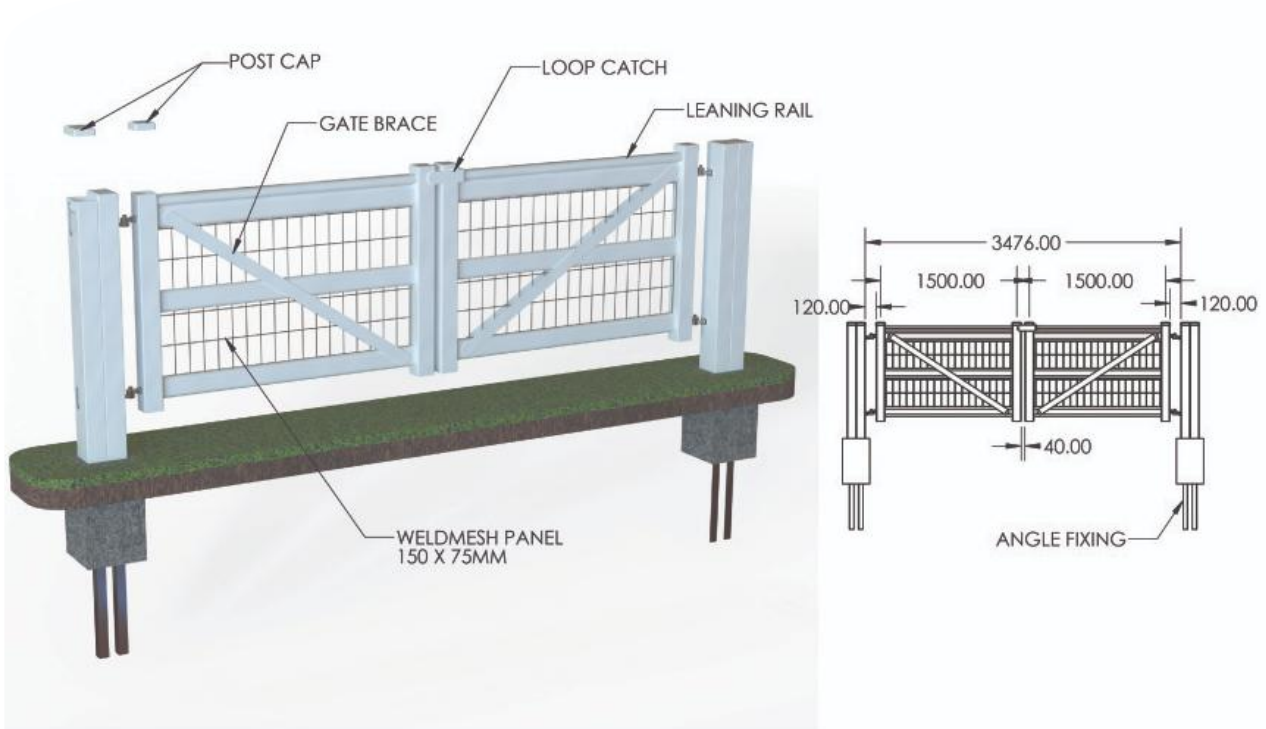
All materials meet ISO 9001, ISO 14001, ISO 50001
To match fencing style.

Components:

- 1 NO. 1.5M WIDE GATE
- 1 NO. 2M WIDE GATE
- 1 NO. DOUBLE HANGING POST WITH POSTCAP
- 1 NO. CLOSING POST WITH POSTCAP
- LOOP CATCH
- 1 NO. DROP BOLT
- 50MM X 50MM X 5MM, 2M GROUND FIXING STEEL
- 2M ROD GROUND FIXING



PAIR OF 1.5M WIDE CROWD BARRIER GATES



CM-GATE-1.5M-PAIR

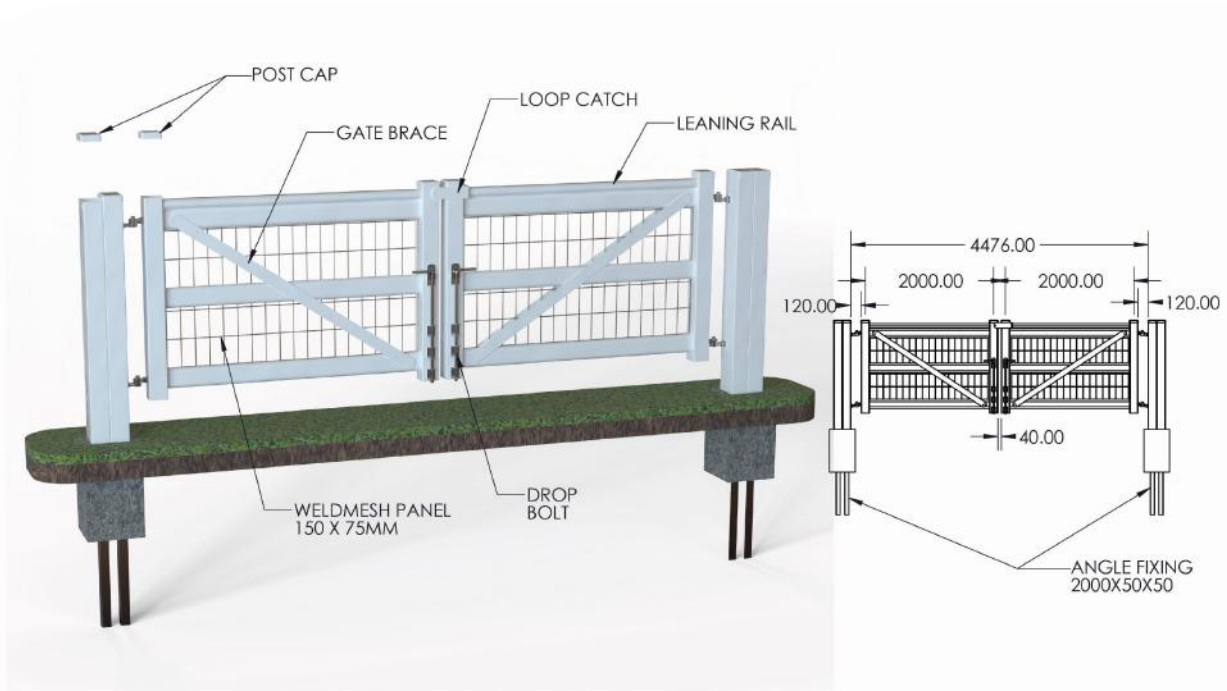
All materials meet ISO 9001, ISO 14001, ISO 50001
To match fencing style.

Components:

- 2 NO. 1.5M WIDE WELDMESH GATE
- 2 NO. DOUBLE HANGING POST WITH POSTCAP
- LOOP CATCH
- 2 NO. DROP BOLT
- 50MM X 50MM X 5MM, 2M GROUND FIXING STEEL
- 2M ROD GROUND FIXING



PAIR OF 2M WIDE CROWD BARRIER GATES



CM-GATE-2M-PAIR

All materials meet ISO 9001, ISO 14001, ISO 50001
To match fencing style.

Components:

- 2 NO. 2M WIDE WELDMESH GATE
- 2 NO. DOUBLE HANGING POST WITH POSTCAP
- LOOP CATCH
- 2 NO. DROP BOLT
- 50MM X 50MM X 5MM, 2M GROUND FIXING STEEL
- 2M ROD GROUND FIXING

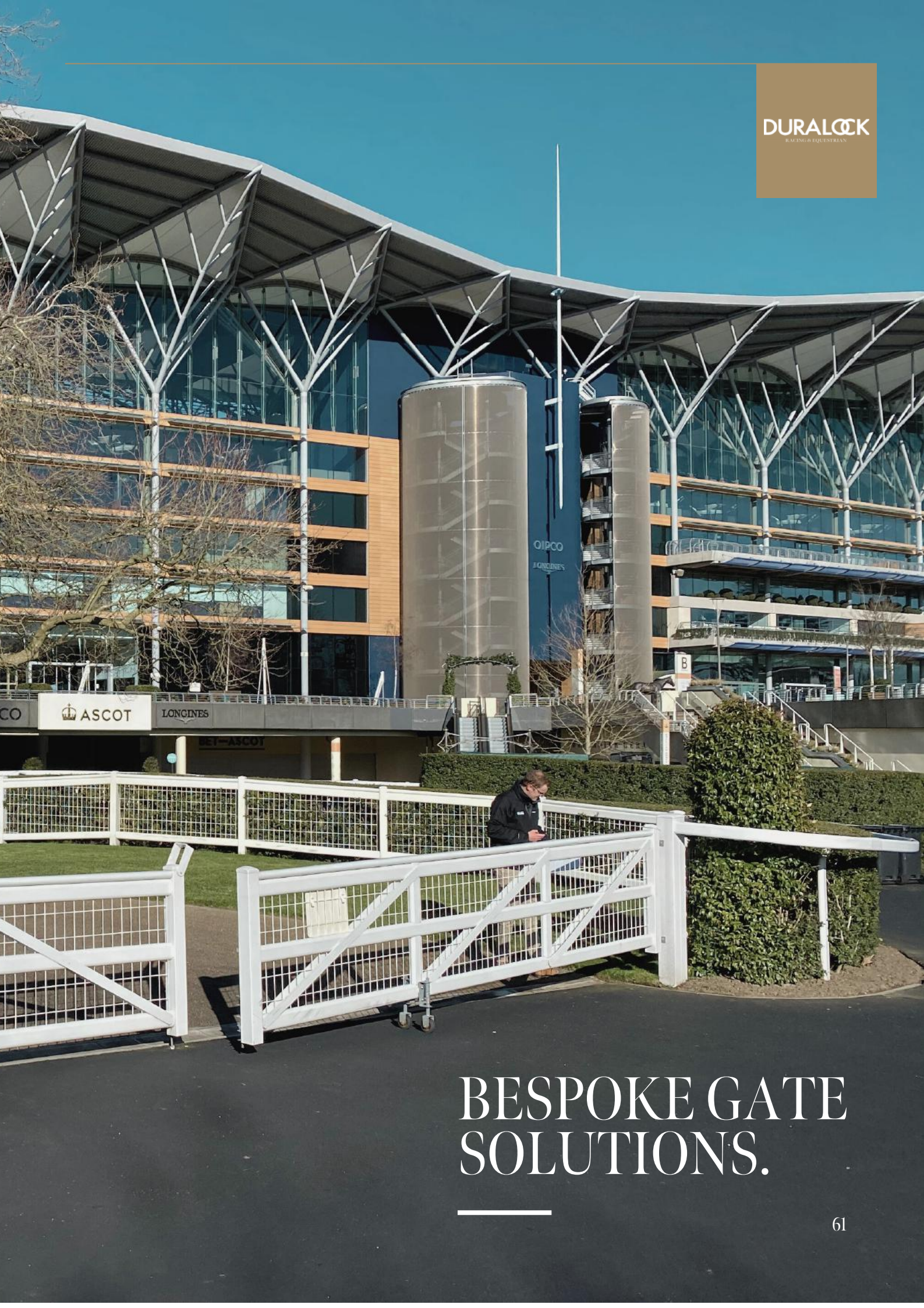




ASCOT
QIPCO
LONGCHAMP

QIPCO

Ascot Racecourse, UK



BESPOKE GATE SOLUTIONS.



MOBILE BARRIERS.

PRM-1200-2-3M

MOBILE BARRIERS



PRM-1200-2-3M

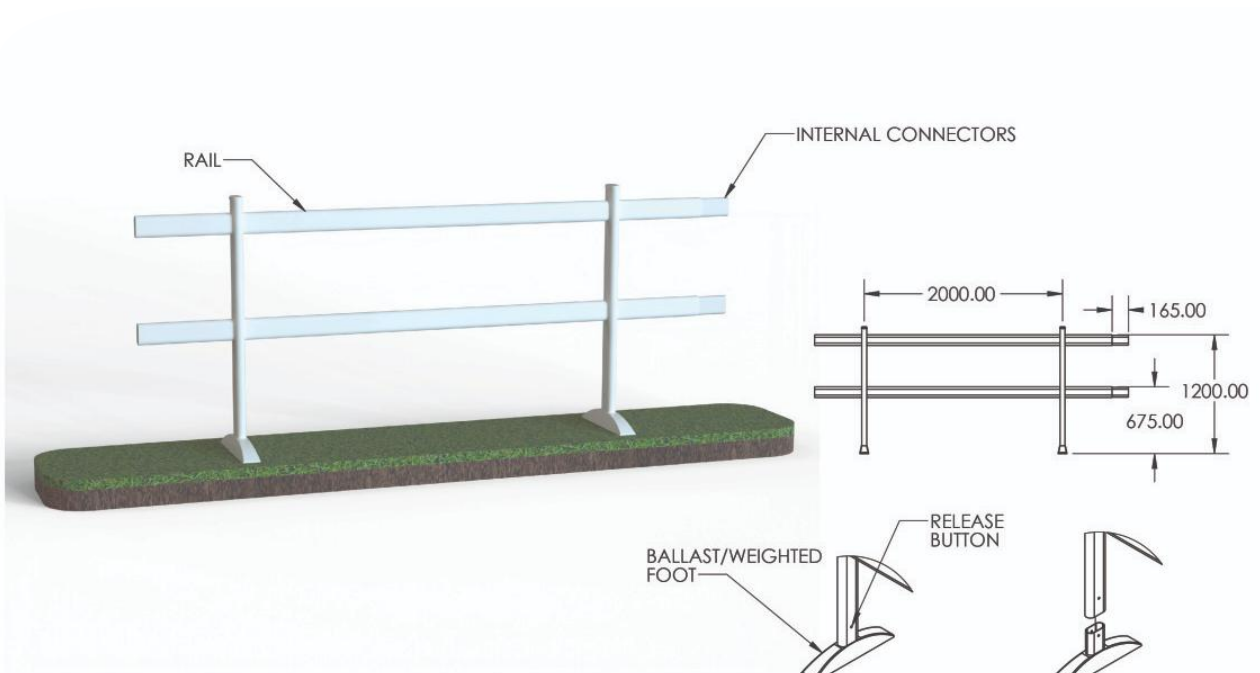
POST AND 2 RAIL MOBILE BARRIER

Available Colours



Components:

- 108MM X 50MM RAIL
- 108mm x 50mm RAIL CAP
- 108X50 RAIL LEG
- 2 NO. BALLAST / WEIGHTED FOOT



BESPOKE MOBILE BARRIERS



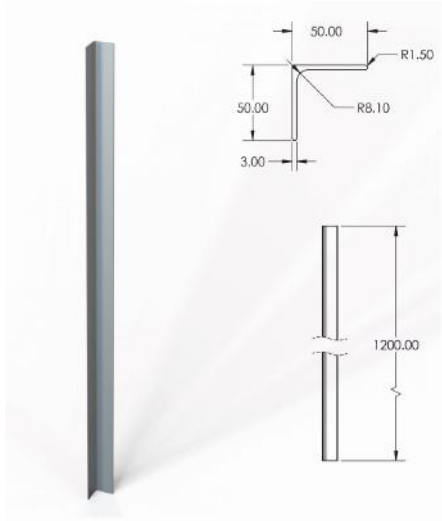


ANCILLARY ITEMS.

DURALOCK

ANCILLARY ITEMS

for more safety and horse protection on your racing facility



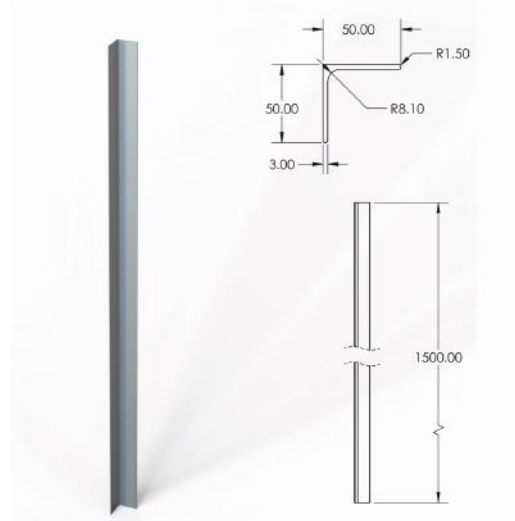
1.2M-STEEL ANGLE

1.2M STEEL GROUND FIXING

- Also available galvanised

Components:

50MM X 50MM X 3MM, 1.2M LONG GROUND FIXING STEEL



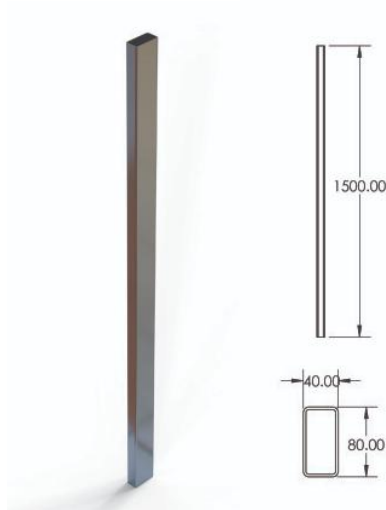
1.5M STEEL ANGLE

1.5M STEEL GROUND FIXING

- Also available galvanised

Components:

50MM X 50MM X 3MM, 1.5M LONG GROUND FIXING STEEL



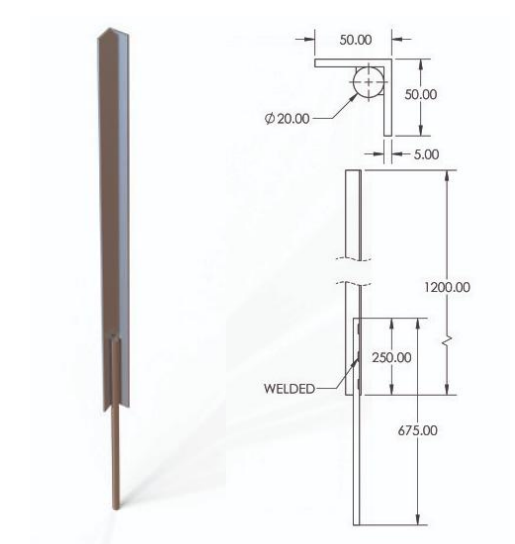
1.5M BOX STEEL GROUND FIXING

1.5M BOX STEEL GROUND FIXING

- Also available galvanised

Components:

40MM X 80MM X 3MM, 1.5M LONG BOX STEEL



PUTLOCK-1200

PUTLOCK GROUND FIXING

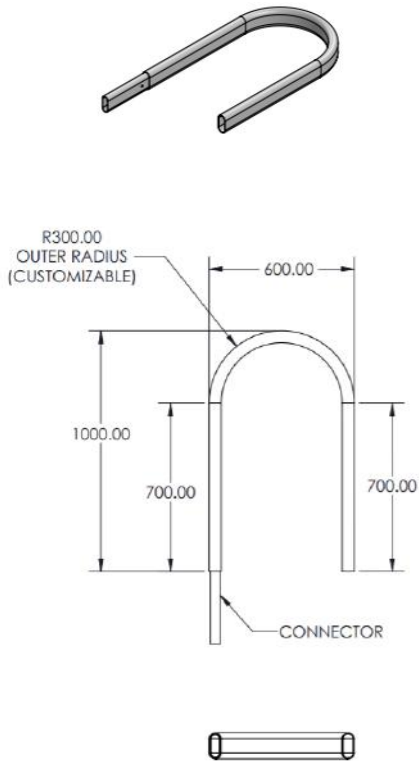
- For moveable race rail

Components:

GALVANISED PUTLOCK GROUND FIXING 1.2M LONG

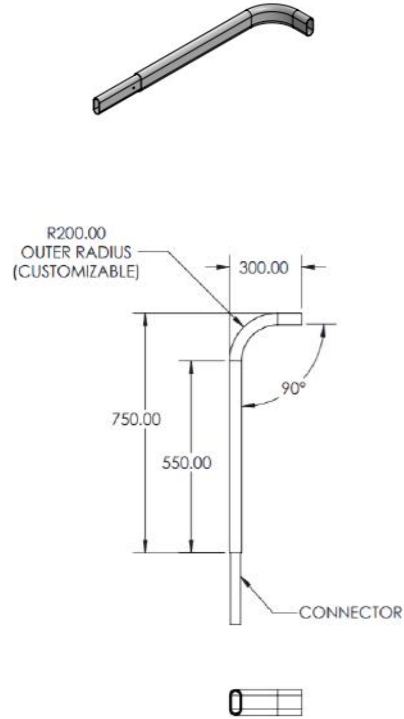
ANCILLARY ITEMS

for more safety and horse protection on your racing facility



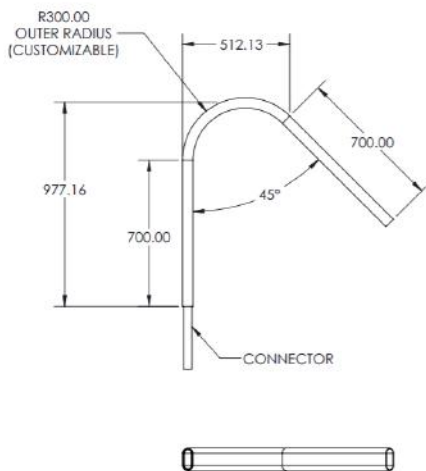
BULLNOSE

BULLNOSE



FAIRING END

FAIRING END



CHUTE END

CHUTE END



ANCILLARY ITEMS



FURLONG MARKER

Available Colours



- Duralock Furlong markers are designed for use on racecourses and training tracks.
- Supplied with a socket or removable ground fixing, allowing the marker to be moved.
- The face is fully customisable and can include logos or branding.



AD BOARD CLIPS

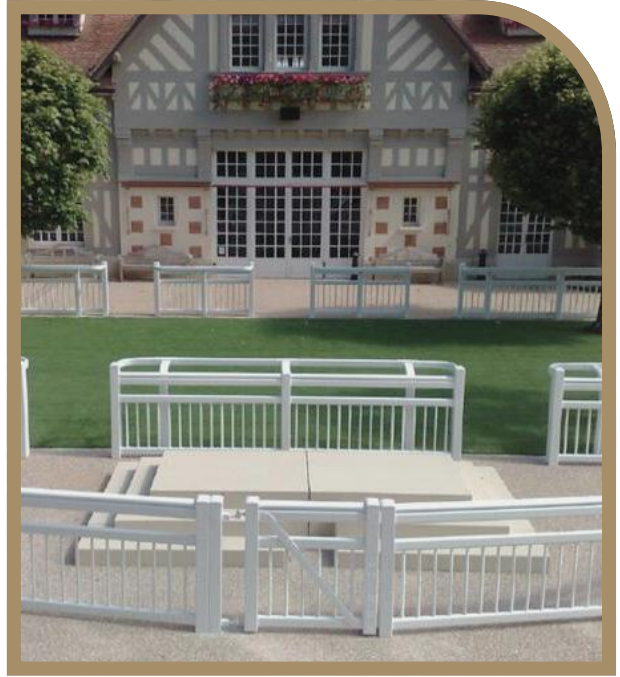
Available Colours

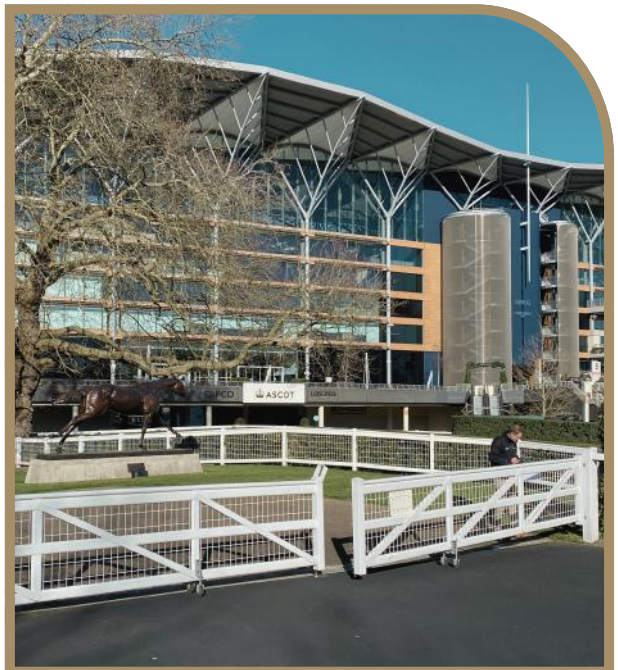
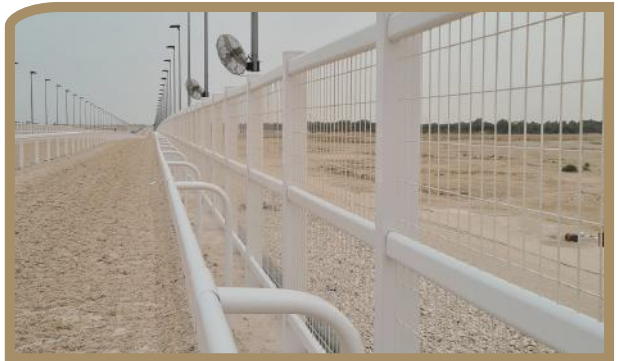


- Bespoke clips designed to safely attach advertising or branding to the Duralock 108x50 rail profile.
- Easy and fast changing of sponsor boards
- Fixed to fencing with no screws or fencing damage. Stable and secure fixing











G. 1.30 CHELTENHAM Duff Du Beaul 11-4 Lambtonmansion 3-2



Cheltenham Racecourse, UK

EQUESTRIAN SPORTS SOLUTIONS.



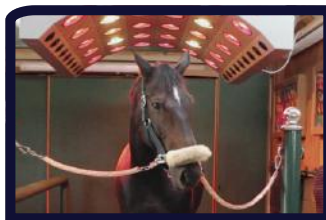
We are proud to introduce Equestrian Sports Solutions (ESS) by Duralock – our dedicated division offering premium-quality products and tailored solutions for racecourses, stable yards, and equestrian facilities worldwide.

ESS provides a comprehensive, one-stop solution for equestrian infrastructure, whether you're building a new facility or upgrading existing spaces. From design and sourcing to installation and training, our services and products are designed to meet the highest standards of safety, sustainability, and innovation.

Our range includes:

- High-quality stable and paddock equipment
- Equine Flooring and matting
- Cutting-edge track and turf solutions
- Specialist design, installation, and training services

With over 30 years of expertise supporting some of the world's leading racing developments and a delivery network spanning 50+ countries, ESS by Duralock is your trusted partner in creating exceptional racing and equestrian environments. Let us help you elevate your facilities with solutions designed to last.



EXPLORE THE WORLD OF DURALOCK.

Discover the possibilities today

From Sports to Racing & Equestrian, ESS to DSS, Duralock provides industry-leading solutions tailored to your needs. Whether you're securing a sports pitch or enhancing equestrian safety, our expertise spans every sector.



Your Partner in Equestrian Excellence

We are proud to introduce Equestrian Sports Solutions (ESS) by Duralock—your one-stop shop for premium products and services tailored to racecourses, stable yards, and equestrian facilities worldwide.

ESS offers comprehensive support for new builds and upgrades, covering every step from design to installation. Our solutions include high-quality stable and paddock equipment, advanced track and turf systems, and specialised design, training, and installation services.

Backed by over 30 years of expertise and a global delivery network reaching 50 countries, ESS ensures your facility meets the highest standards of safety, performance, and innovation.



Safety and Performance Redefined

Duralock Sports combines innovative design with rigorous safety standards to deliver fencing solutions trusted worldwide. Independently tested by Labo Sports, our PVC systems offer a safer alternative to traditional materials, reducing injury risk upon impact.

With smooth, durable surfaces and modular designs free from sharp edges, Duralock fences protect players, spectators, and officials alike. Engineered for strength, stability, and safety, our systems create secure environments where performance thrives.

RACING ENQUIRIES

Sales & Press Enquiries

info@duralock.com
+44 (0)1608 678238

Duralock Group
6A Enstone Business Park,
Enstone, Chipping Norton,
Oxfordshire, OX7 4NP
United Kingdom





Ascot Racecourse, UK



DURALOCK

RACING & EQUESTRIAN

A DIFFERENT CLASS
HORSE RACING EXPERTS,
UNMATCHED QUALITY

info@duralock.com
+44 (0)1608 678238

Duralock Group
6A Enstone Business Park,
Enstone
Chipping Norton,
Oxfordshire, OX7 4NP
United Kingdom