



HARVEST

JAMES HARVEST SPORTSWEAR 2021



2021 INDEX

LAST CHANCE

Albatross	30
Birdie	30
Burney	31
Eagle	29
Jupiter	24
Morton	30
Morton Heights	29
Purple Bow 40	53
Purple Bow 41	54
Richmond	31
Santa Ana	31



JAMES
HARVEST
sports  wear



JAMES HARVEST SPORTSWEAR

The James Harvest Sportswear collection is based on American collegiate fashion and is characterised by high quality.

A huge amount of effort has been put into the design in order to make the clothes both functional and fashionable.

Experience continues to show that many businesses & organisations that regard quality as an important element in their marketing communications regularly choose James Harvest Sportswear as their supplier of identity clothes & advertising garments.

ADDS PROFILE TO YOUR BUSINESS

Sunset



FIND YOUR POLO SHIRT

MATERIALS

COMPACT COTTON

COTTON/ELASTANE

NEPTUNE

SUNSET

CUTS

REGULAR



MODERN



WOMAN





NEPTUNE

Polo shirt with side slits and matching buttons. Enzyme washed for a softer and smoother finish. Neptune is available in three stylish cuts; the traditional Regular, the more fitted Modern and the sophisticated Woman.

100% COMBED COMPACT COTTON, 200 G/M²

100 White, 400 Red, 600 Navy, 900 Black,
919 Anthracite, 622 Petrol, 630 Blue Heaven



REGULAR
MODERN
WOMAN

S - 3XL, 5XL
S - 2XL
XS - 3XL (6-18)





SUNSET

Polo shirt with side slits and white buttons in a comfortable Cotton/Lycra® material. Sunset is available in three stylish cuts; the traditional Regular, the more fitted Modern and the sophisticated Woman.

95% COMBED COMPACT COTTON, 5% LYCRA,
200 G/M²

100 White, 400 Red, 600 Navy,
668 Light Turquoise,
729 Sports Green, 900 Black

REGULAR
MODERN
WOMAN

S - 3XL, 5XL
S - 2XL
XS - 3XL (6-18)





Anderson



900



100



600



400

ANDERSON & ANTREVILLE LADY

Modern fit piqué polo with yarn dyed cotton.
 Contrasting tape at neck, placket and sleeve rib.
 White contrast & stripe on reverse side of collar.

100% COTTON, COLLAR WITH ELASTANE,
 240 G/M2

900 Black features black, white & grey stripe at neck, cuffs & reverse collar.

100 White features black, white & grey stripe at neck & cuffs. White on reverse collar.

600 Navy features navy, red & white stripe at neck, cuffs & reverse collar.

400 Red features navy, red & white stripe at neck, cuffs & reverse collar.

ANDERSON SIZES
 ANTREVILLE SIZES

S-3XL, 5XL
 XS-3XL (6-18)







AMHERST & AMHERST LADY

Modern fit single jersey polo with woven collar.
Neck tape in contrast colour and hidden buttons
at front placket.

100% COMBED COTTON, 260G/M²

555 Faded Blue, 955 Faded Grey

AMHERST SIZES
AMHERST LADY SIZES

S-3XL, 5XL
S-3XL (8-18)



AVON & AVON LADY

Modern fit piqué polo in combed cotton with
contrasting tape at neck, placket, side vent and
loop at sleeve end. Bicoloured buttons. Contrast
colour at reversed side collar.

100% COMBED COTTON, 240 G/M²

600 Navy features tape in navy, bright blue &
white stripe. Bright blue on reverse collar.

100 White features tape in navy, red & white
stripe. White on reverse collar.

900 Black features tape in black, red & white
stripe. Red on reverse collar.

400 Red features tape in black, red & white
stripe. Black on reverse collar.

AVON S-3XL, 5XL
AVON LADY XS-3XL (6-18)



PARKWICK & PARKWICK LADY

Hooded jacket with fleece lining on the inside.
Metal zip front, zipped chest pocket and two single welt pockets. Rib at bottom hem and sleeve cuffs.
Contrast coloured drawstring at hood.

SHELL: 100% COTTON, 320 G/M2
LINING: 100% POLYESTER

600 Navy, 900 Black

PARKWICK S-3XL, 5XL
PARKWICK LADY S-3XL (8-18)



LYNN

Ladies V-neck stretch top with $\frac{3}{4}$ sleeves.

90% COTTON, 10% LYCRA®, 220 G/M2

900 Black, 100 White

S-2XL (8-16)

LYCRA®

Lynn





AMERICAN U & AMERICAN U LADY

Modern crew neck T-shirt with 2-layered stretch rib in the neck.

100% RING-SPUN, COMBED AND ENZYME WASHED COTTON, 180 G/M²

100 White, 600 Navy, 400 Red, 555 Faded Blue, 121 Ash, 900 Black



AMERICAN U S-3XL, 5XL
AMERICAN U LADY S-3XL (8-18)



AMERICAN V

V-neck T-shirt for men. 2-layered stretch rib in the neck.

100% RING-SPUN, COMBED AND ENZYME WASHED COTTON, 180 G/M²

100 White, 900 Black

S-3XL, 5XL



American U

American U

est.
1988

PLAYER'S CHOICE

WHAT IS SO SPECIAL ABOUT A PLAYER'S CHOICE SHIRT FROM JAMES HARVEST?



It is the distinctive details that make them special and exclusive. Each shirt consists of 23+ unique design parts which have been assembled with perfect precision.

ONLY QUALITY FABRICS

The shirts in the Player's Choice series consist of 100% combed cotton, spun into fine, thin filaments. The higher the yarn count, the better the feel of the fabric. The fabric has two yarns spun together to make one, to give added strength and durability. The fabric is then treated with a high quality easy care finish for easy maintenance of the garment.

By James Harvest



PLAYER'S CHOICE



RENO & RENO LADY

High quality modern fit shirt in easy care treated fabric. Reinforced seams in collar and sleeve ends. Striped pattern with contrast fabric at cuffs, placket and inside collar.

100% COMBED COTTON

513 Light Blue stripe with pearl buttons
913 Grey stripe with grey buttons
613 Navy stripe with navy buttons

RENO S-3XL, 5XL
 RENO LADY S-3XL (8-18)



REDDING & REDDING LADY

High quality modern fit shirt in easy care treated oxford fabric. Tone on tone buttons and contrast fabric at cuffs and inside collar.

100% COTTON

506 Blue, 100 White, 914 Charcoal

REDDING S-3XL, 5XL
 REDDING LADY S-3XL (8-18)



PLAYER'S CHOICE



BALTIMORE & BALTIMORE LADY

High quality modern fit shirt in easy care treated fabric. Reinforced seams in collar and sleeve ends. Contrast fabric at cuffs, placket and inside collar.

100% COMBED COTTON

- 500 Light Blue with navy buttons
- 600 Navy with navy buttons
- 100 White with pearl buttons
- 900 Black with black buttons

BALTIMORE S-3XL, 5XL
BALTIMORE LADY S-3XL (8-18)



TRIBECA & TRIBECA LADY

High quality modern fit shirt in easy care treated fabric. Reinforced seams in collar and sleeve ends. Checked pattern with coloured neck tape and contrast stripe inside cuffs, placket and collar.

100% COMBED COTTON

- 533 Blue check with pearl buttons
- 513 Light Blue check with pearl buttons
- 903 Black check with black buttons

TRIBECA S-3XL, 5XL
TRIBECA LADY S-3XL (8-18)



PLAYER'S CHOICE

By James Harwest







Burlingham

BURLINGHAM

Men's modern fit jersey shirt in oxford knit. Button down collar, contrasting pearl buttons and a slightly curved bottom hem. Contrast fabric inside collar and at side slit.

64% COTTON, 36% POLYESTER

901 Black/White, 501 Light Blue, 601 Navy/White

S-3XL, 5XL



FAIRFIELD & VIRGINIA LADY

Exclusive, high quality, classic fit shirt. Easy care treated with taped seams. Features engraved buttons. Men's shirt has a chest pocket.

100% COMBED COTTON

910 Grey stripe, 511 Blue stripe

FAIRFIELD S-3XL
VIRGINIA LADY S-2XL (8-16)





TREEMORE

Unisex twill shirt featuring chest pockets with button flaps. Western yoke, soft collar, adjustable cuffs and curved bottom hem.

100% COTTON. ENZYME WASHED.

175 Sand, 555 Faded Blue, 900 Black, 600 Navy

XS-3XL, 5XL



Treemore



BRIGHAM

Mens' modern fit flannel shirt. White contrast inside yoke, cuffs and side slit. Button down collar, chest pocket on left side and a slightly curved bottom hem.

100% BRUSHED COTTON

616 Navy/White check

S-3XL



LAST CHANCE



JUPITER & JUPITER LADY

Lightweight denim look shirt in a modern fit. Contrast checked pattern inside yoke, cuffs and side slit. Button down collar, chest pockets and a slightly curved hem.

100% COTTON

592 Denim

JUPITER	S-3XL
JUPITER LADY	S-2XL (8-16)



L.A CAP

Cap in brushed cotton twill, with pre-curved peak and adjustable Velcro® strap at back.

100% COTTON

COLOURS: 600 Navy, 170 Sand, 900 Black, 536 Blue, 100 White, 400 Red,

ONE SIZE FITS ALL





LARKFORD & LARKFORD LADY

Modern fit piqué polo with button-down collar, contrast lining inside collar, and contrast ribbing at cuffs. Men's polo features a chest pocket.

100% COMPACT COTTON, 250 G/M2

606 Dark Blue Mélange, 906 Black Mélange

LARKFORD	S-3XL, 5XL
LARKFORD LADY	S-3XL (8-18)



SHELLDEN & SHELLDEN LADY

Modern fit polo shirt with side slits. Jacquard front and back with flat knitted sides, sleeves and collar. Ladies shirt features a full button front placket. Men's shirt has a button-down collar, chest pocket with button closure and four button placket.



100% COTTON, ENZYME WASHED, 180 G/M2

900 Black, 600 Navy

SHELLDEN	S-3XL, 5XL
SHELLDEN LADY	S-3XL (8-18)



ATLANTA

Unisex heavy knitted jacket in piqué with contrasts at collar and sleeves.

100% COTTON, 320 G/M2

900 Black features white, grey & black contrast at neck & cuffs

600 Navy features red, white & navy contrast at neck & cuffs

S-3XL



Duke



DUKE & DUKE LADY

Hooded jacket with metal zips at front and pockets. The heavy enzyme wash and terry cotton reverse gives this hoodie a soft to the touch feeling.

100% TERRY COTTON, ENZYME WASHED, 280 G/M2

600 Navy, 900 Black

DUKE S-3XL, 5XL
DUKE LADY S-3XL (8-18)



CARSON

Men's durable classic twill shorts with slanted side pockets and jetted pockets at back. Contrast button at fly and at back pocket fastenings.

98% COTTON, 2% ELASTANE, 290G/M2

COLOURS: 900 Black, 150 Beige, 600 Navy

S-4XL



LOCKWOOD & LOCKWOOD LADY

Durable wind and water resistant knitted softshell jacket with good breathability. The jacket is plated with fleece (doubleface) and features inverted panels at sleeves, sides and collar. Fully zipped front and two zip pockets. Neck tape in contrast colour. Elastic edging at bottom hem and sleeve cuffs.

100% POLYESTER, PIQUÉ KNITTED SOFTSHELL, 330 G/M2

600 Navy, 900 Black

LOCKWOOD S-3XL, 5XL
LOCKWOOD LADY S-3XL (8-18)



SNYDER & SAVANNAH LADY

Fully lined, water repellent, softshell jacket with waterproof and breathable membrane. Elastic drawstring at bottom hem and top of collar. Fleece lining inside collar. Two zipped inner pockets, one with cord opening. Sleeve lining and zip pullers in matching contrast colours. The lining can be opened for ease of decoration.

SHELL OUTSIDE: 96% POLYESTER, 4% SPANDEX
 SHELL INSIDE: 100% POLYESTER
 LINING: 100% POLYESTER

600 Navy, 900 Black

SNYDER S-3XL, 5XL
 SAVANNAH LADY XS-2XL (6-16)



DEER RIDGE & DEER RIDGE LADY

Quilted lightweight jacket. Fully lined with hidden hood inside the collar (invisible zip). Reversed coil zip at centre front, and pockets. Elastic binding at bottom hem and sleeves. Jacket can be tucked into the front pocket which transforms into its own storage pouch. Invisible zip on the inside for ease of decoration.

SHELL FABRIC: 100% POLYESTER, CIRE FINISH ON THE INSIDE, 56 G/M2
 PADDING: 100% PES PADDING (THERMOLITE® MICRO, 60G/M2)
 LINING: 100% NYLON

900 Black, 620 Metal Blue, 600 Navy

DEER RIDGE S-3XL, 5XL
 DEER RIDGE LADY S-3XL (8-18)



LAST CHANCE

MORTON HEIGHTS

Men's modern fit piqué polo with side slits and matching buttons. The Morton Heights has a slimmer waist, shorter body length and shorter sleeves than the Morton. Enzyme washed for a softer and smoother finish. Oeko-Tex Standard 100 Certified.

100% cotton, 220g/m²

904 Charcoal
S-3XL, 5XL



LAST CHANCE

EAGLE

Men's modern fit piqué polo in stretch quality for increased flexibility. Enzyme washed for a softer and smoother finish. All colours come with matching buttons.

95% Cotton, 5% Lycra, 200g/m²

490 Coral, 631 Blue
S-3XL & 5XL



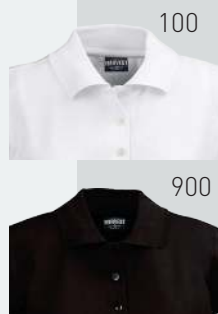
LAST CHANCE

BIRDIE

Ladies' fitted piqué in stretch quality for increased flexibility, cap sleeves and chest darts for better fitting. Enzyme washed for a softer and smoother surface. All colours come with matching buttons.

95% Cotton, 5% Lycra, 200g/m²

100 White, 900 Black
S-2XL(8-16)



LAST CHANCE

MORTON

Men's classic piqué polo with side slits and matching buttons. Oeko-Tex Standard 100 Certified.

100% cotton, 220g/m²

904 Charcoal
S-3XL, 5XL



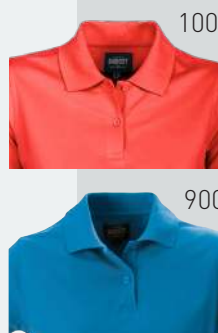
LAST CHANCE

ALBATROSS

Ladies fitted piqué polo in stretch quality for increased flexibility. Enzyme washed for a softer and smoother finish. All colours come with matching buttons.

95% cotton, 5% lycra, 200g/m²

490 Coral, 631 Blue
S-2XL (8-16)



LAST CHANCE



BURNEY

Water resistant unisex padded vest with water proof zippers, elastic drawstring at bottom hem and top of collar. Fleece in pockets and inside collar. Two zipped inner pockets, one with cord opening. The yoke can be opened for ease of decoration.

SHELL: 100% POLYESTER
LINING/PADDING: 100% POLYESTER

900 Black

XS-3XL



LAST CHANCE

RICHMOND & SANTA ANA LADY

Heavy knit fleece hoodie. Decorative flatlock seams and elastic edging at bottom hem and sleeve cuffs. Zippers at centre front and front pockets. Brushed on the inside for a softer feeling. Anti-pilling treated.

100% POLYESTER, 320 G/M2

135 Grey Mélange, 907 Anthracite

RICHMOND S-3XL
SANTA ANA LADY S-2XL (8-16)



Harrington



HARRINGTON

Unisex jacket with two inner pockets, knitted rib at bottom sleeve, top of collar and bottom hem. Lining in contrasting check fabric. The lining can be opened for ease of decoration.

SHELL: 50% COTTON, 50% POLYESTER
LINING: 75% COTTON, 25% POLYESTER

COLOURS: 600 Navy

S-3XL

ISLAND BLOCK & ISLAND BLOCK LADY

Functional wind and waterproof shell jacket with contemporary design. Zip under armhole for better ventilation. Sleeve pocket, front pocket, chest pocket and inner pocket. High abrasion resistant Cordura on elbows and lower back (Cordura is a strong nylon fabric resistant to tears, scuffs and abrasion). High front collar detachable hood, reflective piping and contrasting zips. Taped Seams. Mesh lining can be opened for ease of decoration.

100% POLYESTER, WP 8000MM, MVP 5000G/M2

900 Black, 137 Light Grey, 600 Navy,

ISLAND BLOCK S-3XL, 5XL
ISLAND BLOCK LADY S-2XL (8-16)



COVENTRY & COVENTRY LADY

Functional wind and waterproof jacket with taped seams and waterproof zippers. Detachable hood, adjustable drawstring at bottom hem and hood, as well as Velcro® adjustable cuffs. Outside chest pocket and inside chest pocket. Zipper opening at back and hood lining for ease of decoration.

100% POLYESTER, WP 5000MM, MVP 5000G/M2

600 Navy, 900 Black

COVENTRY S-3XL, 5XL
COVENTRY LADY S-3XL (8-18)



Island Block



MILES & MILES LADY

Smooth fleece jacket constructed of waffle-knit for insulation and moisture wicking. Two zipped pockets at front with mesh lining to provide extra ventilation. Wind placket behind the main zipper. Thumb hole opening at each sleeve. Contrast overlock seams.

94% POLYESTER, 6% SPANDEX, 260 G/M²

900 Black, 600 Navy

MILES S-3XL, 5XL
MILES LADY S-3XL (8-18)



MYERS

Men's hybrid jacket of wind and water repellent softshell and heat-quilted interlock with high breathability. Softshell panels form the sleeves, shoulders and hood. Body of heatquilted interlock with microfleece lining. Adjustable hood opening, elasticated waistband and Velcro® adjustable cuffs. Three zipped pockets at front with extra ventilation and a zipped inner pocket. Mesh-lined front piece.

SOFT SHELL: 96% POLYESTER, 4% SPANDEX, 280 G/M².

BONDED WITH 100% PES FLEECE.
BODY: THERMAL QUILTED INTERLOCK WITH MICRO FLEECE INSIDE.
100% POLYESTER, 280 G/M².

900 Black, 600 Navy

S-3XL, 5XL





Westlake

WESTLAKE

Unisex waterproof and breathable parka with practical pockets at front and inside jacket. A two way zipper at front makes it easier to sit down. Adjustable drawstring at bottom hem and hood. Zipper at bottom sleeve with ribbed cuff inside. Quilted inside lining can be opened for ease of decoration.

100% NYLON, WP 5000MM, MVP 5000G/M2

600 Navy, 900 Black

S-3XL





KINGSPORT

Business coat with light padding. Hidden hood inside the collar. Two large front pockets with button closure and two slanted zipped chest pockets. The lining can be opened for ease of decoration.

100% POLYESTER

900 Black

S-3XL, 5XL



Kingssport





J. HARVEST & FROST
CORPORATE SHIRTMAKER

J. HARVEST & FROST

J. Harvest & Frost is all about fine corporate wear. We create clothing to help you look and feel your best! Our aim is to offer well-made, detailed and affordable products of the highest quality. We are constantly reinventing our products and seeking new levels of performance for our products. This gives us control of every stage in the production process, resulting in high quality cotton fabrics, perfect cuts and the luxurious feeling you experience when wearing a piece of our collection.

THE J.HARVEST & FROST CONCEPT DIVISIONS

- | | |
|-------------------|--|
| BLACK BOW | Our top of the line collection. Full featured, true classic shirts with state of the art Nano treatment against spills, prepressed sleeves and Non-Iron treatment. |
| GREEN BOW | Our classic collection of single colour Non-Iron treated shirts. Timeless classics that will never go out of style. |
| PURPLE BOW | Our trend collection of the latest, most fashionable Non-Iron treated shirts. This collection is designed to meet the needs for fashion today and tomorrow. |
| RED BOW | Our classic collection with a twist. Our well-worked Non-Iron treated shirts with contrast details to suit different situations. |

MAKING THE FINER THINGS WORK





MEN'S REGULAR S-3XL	WOMAN S-3XL (8-18)
------------------------	-----------------------



RED
BOW
20



NEVER IRON PATENTED ENVIRONMENTAL TREATMENT

100% LONG STAPLE 2-PLY COMPACT COTTON, 124 G/M

TAPED MAIN-SEAMS (NO WRINKLES)

TALL, 4MM-THICK BUTTONS

CURVED HEM

SEMI CUT-AWAY COLLAR

SOLID COLOURS WITH CONTRAST

SPLIT BACK YOKE

SINGLE ANGLE CUFF W, CUFFLINK HOLE

FLAT FRONT PLACKET



100 WHITE




500 SKY BLUE

THE CLASSIC SOLID COLOURED DRESS SHIRT REINVENTED WITH A TWIST

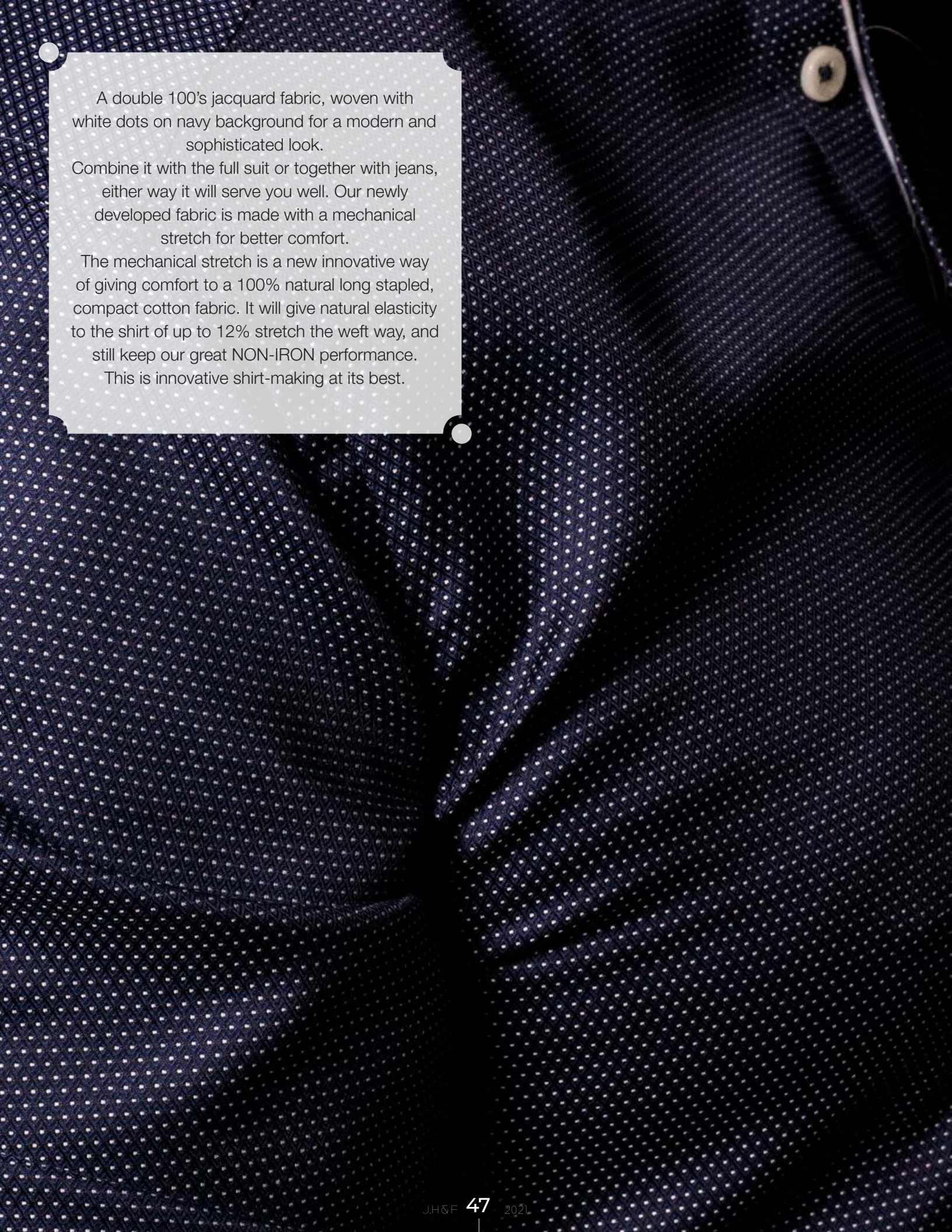


Through the Red bow line we reinvent the classic shirt. By adding sophisticated colours and details we made it more modern and smart, but still kept it a classy business shirt. The shirt is crafted in our favorite high performance twill texture. This gives the perfect sheen and results in a substantial quality feel. It makes it less transparent than similar dress shirts.



A close-up photograph of a white dress shirt cuff. A black and white diamond patterned cufflink is visible at the top left. A black button is visible at the bottom center. The text "MAKING THE FINER WEAR WORK." is overlaid on the right side of the image.

MAKING THE
FINER WEAR
WORK.



A double 100's jacquard fabric, woven with white dots on navy background for a modern and sophisticated look.

Combine it with the full suit or together with jeans, either way it will serve you well. Our newly developed fabric is made with a mechanical stretch for better comfort.

The mechanical stretch is a new innovative way of giving comfort to a 100% natural long stapled, compact cotton fabric. It will give natural elasticity to the shirt of up to 12% stretch the weft way, and still keep our great NON-IRON performance.

This is innovative shirt-making at its best.

MEN'S REGULAR

S-3XL



OEKO-TEX®
CONFIDENCE IN TEXTILES
STANDARD 100
SE 14-218 Swarovski WW
Tested for harmful substances.
www.oeko-tex.com/standard100

PURPLE
BOW

49

INNOVATIVE
MECHANICAL STRETCH

NAVY JACQUARD FABRIC ,
WOVEN WITH
WHITE MICRO DOTS

SPLIT BACK YOKE

TAPED MAIN-SEAMS
(NO WRINKLES)

FLAT FRONT PLACKET



MODERN CUT-AWAY
COLLAR WITH A SOFT
INTERLINING AND
HIDDEN BUTTON
DOWN

100% LONG STAPLE
2-PLY COMPACT
COTTON, 124 G/M

CLASSIC, PEARLWHITE
2,5 MM-THICK BUTTONS

SOFT ROUND EDGE CUFF,
W. CUFFLINK HOLE

CURVED HEM

THE MODERN &
SOPHISTICATED
JACQUARD SHIRT
WITH MECHANICAL
STRETCH FOR
BETTER COMFORT



MEN'S REGULAR
S-3XL



OEKO-TEX®
CONFIDENCE IN TEXTILES
STANDARD 100
SE 14 218 Germany
Tested for harmful substances.
www.oeko-tex.com/standard100

BLACK
BOW **60**

ELASTIC TOP BUTTON THREAD

MODERN CUT-AWAY COLLAR

100% LONG STAPLE 2-PLY
COMPACT COTTON, 131 G/M

NEVER IRON + TAPED MAIN-
SEAMS (NO WRINKLES)

NANO TECHNOLOGY WATER,
OIL & STAIN REPELLENT

SPLIT BACK YOKE

MECHANICAL STRETCH

CLASSIC PEARL WHITE

FLAT FRONT PLACKET

CURVED HEM



100 WHITE



500 SKY BLUE

A MODERN
MULTIFUNCTION
SHIRT USING
ONLY THE FINEST
LUXURIOUS COTTON



The ultimate iron free shirt with revolutionary spill protection, and probably the last great shirt you'll ever need. Say goodbye to ironing, untimely coffee spills and business lunch stains. Thanks to advanced nanotex technology, the Black Bow has your back. Black Bow is set out to be the world's best working shirt.



The shirt is crafted in our favourite high performance twill texture. This gives the perfect sheen to it, results in a substantial good hand feeling and makes it less transparent than similar white dress shirts. A split yoke in back, medium cut-away collar and a 35 mm. raised placket set the edge for this sharp, but classic shirt.

MEN'S REGULAR S-3XL	WOMAN S-3XL (8-18)
------------------------	-----------------------



GREEN
BOW
01

NEVER IRON PATENTED
ENVIRONMENTAL
TREATMENT

100% LONG STAPLE 2-PLY
COMPACT COTTON, 124 G/M

TAPED MAIN-SEAMS
(NO WRINKLES)

TALL 4 MM-THICK
BUTTONS

RAISED PLACKET

SEMI CUT-AWAY
COLLAR

SOLID COLOURS

SPLIT BACK YOKE

SINGLE ANGLE
CUFF W, CUFFLINK
HOLE

CURVED HEM

NOTHING BEATS
THE TIMELESS,
CLEAN LOOK OF
A SOLID
COLOURED
DRESS SHIRT



500 SKY BLUE



100 WHITE



900 BLACK

MEN'S REGULAR

S-3XL

WOMAN

S-2XL (8-16)

LAST CHANCE



PURPLE
BOW
40

MENS' & LADIES' CLASSIC, NON-IRON OXFORD SHIRT IN SOPHISTICATED CONTRAST COLOURS. SOFT BUTTON DOWN COLLAR WITH TAPED MAIN SEAMS. SPLIT BACK YOKE, RAISED PLACKET AND A CURVED HEM. THE MENS' PURPLE BOW 40 FEATURES A PIPED CHEST POCKET.

100% COTTON (PATENTED NON-IRON TREATMENT)

506 SKY BLUE, 106 WHITE
PURPLE BOW 40 S-3XL
PURPLE BOW 40 LADY S-2XL (8-16)



OEKO-TEX®
CONFORMING TO STANDARD 100
SE 14-218 Swerea IVF
Tested for harmful substances.
www.oeko-tex.com/standard100

MEN'S REGULAR

S-3XL

LAST CHANCE



PURPLE
BOW

41

MENS' MODERN NON-IRON GINGHAM SHIRT
IN THE FINEST TWILL TEXTURE. SOFT BUTTON
DOWN COLLAR WITH TAPED MAIN SEAMS, SPLIT
BACK YOKE, RAISED PLACKET AND CURVED HEM.
PIPED CHEST POCKET.

100% COTTON (PATENTED NON-IRON
TREATMENT)

506 SKY BLUE, 601 NAVY
S-3XL



OEKO-TEX®
CONFIDENCE IN TEXTILES
STANDARD 100
SE 14-218 Swerea IVF
Tested for harmful substances.
www.oeko-tex.com/standard100



Printer
ACTIVE WEAR



PRINTER ACTIVWEAR

Printer Active Wear stays mainly on the sporty side of fashion. Made to be comfortable and durable, the gear allows extra movement and flexibility.

The lightweight and durable garments are perfect for active professionals or dynamic leisure. Printer offers affordable, well designed items in a synchronised colour palette in a wide array of styles and sizes.

BEST VALUE IN LARGE VOLUMES







EXPEDITION

Unisex softshell / lightweight jacket. Yoke and side panels of softshell (fabric 1). Body (front & back) and sleeves of padded lightweight quality (fabric 2). Black trim at cuffs and bottom hem. Two-coloured zipper at front and pockets. Additional coloured zip pullers are available to better match your brand.

FABRIC 1) SOFTSHELL; 94% POLYESTER, 6 % SPANDEX, BONDED WITH 100% POLYESTER FLEECE.

FABRIC 2) 100% POLYESTER WITH BLUESIGN APPROVED PADDING. 100G/M2 IN BODY, 80G/M2 IN SLEEVES.

935 Steel Grey includes yellow zip pullers

400 Red includes grey zip pullers

600 Navy includes red zip pullers

900 Black includes green zip pullers

S - 3XL, 5XL



Expedition

TRIAL

Unisex softshell jacket in bonded fabric with stretch capabilities. Two-coloured zipper at front and pockets. Adjustable cuffs with Velcro® and drawstring at bottom hem. Nylon lining inside the sleeves. Additional coloured zip pullers are available to better match your brand.

96% POLYESTER, 4% SPANDEX, BRUSHED INSIDE.
280 G/M2

- 600 navy with red zip pullers
- 935 grey with yellow zip pullers
- 900 black with green zip pullers
- 400 red with grey zip pullers

XS-3XL, 5XL



SKELETON

Unisex padded softshell jacket with detachable hood. Pre-curved sleeves, adjustable drawstring at bottom hem and Velcro® adjustable cuffs. Front pockets and chest pocket with zippers and one mesh pocket. The Lining on the hood and at the base of the jacket can be opened for ease of decoration. Additional coloured zip pullers are available to better match your brand.

SHELL: 100% POLYESTER WITH TPU MEMBRANE, 280 G/M2

PADDING: 100% POLYESTER, WEIGHT 80 G/M2 IN BODY, 60 G/M2 IN HOOD AND SLEEVES

LINING: 100% POLYESTER

900 Black, 600 Navy

XS-3XL, 5XL



HEADWAY

Unisex lightweight windbreaker jacket with detachable hood. Contrast coloured trim at cuffs and bottom hem.

Contrast-coloured zip pullers at front and pockets
Additional coloured zip pullers are available to better match your brand.

100% POLYESTER

632 Blue comes with white zip pullers
900 Black comes with green zip pullers
600 Navy comes with red zip pullers

XS-3XL, 5XL



OVERHEAD & OVERHEAD LADY

Hooded jacket with contrast coil zip at front and two single welt pockets. Rib at bottom hem and sleeve cuffs. Additional coloured zip pullers are available to better match your brand.

60% COTTON, 40% POLYESTER, 280G/M2

935 Grey includes yellow zip pullers
600 Navy includes red zip pullers
900 Black includes green zip pullers

OVERHEAD S-3XL, 5XL
OVERHEAD LADY XXS-2XL (6-16)



OEKO-TEX®
CONFIDENCE IN TEXTILES
STANDARD 100
SE 14-218 Swerea IVF
Tested for harmful substances.
www.oeko-tex.com/standard100

Headway



JOG

Sporty unisex full zip jacket with zipper at collar for extra detail. Two-coloured drawstring at front and contrasting tape at neck.

100% POLYESTER TWILL, 310 G/M2

400 Red, 900 Black

S-3XL, 5XL



ZIP PULLERS

Mix & Match our range of colourful zip pullers with our stylish Printer jackets. With 9 different colours to choose from, you can customise each jacket to suit your needs. Individual colours are sold separately, 4 per pack.

600 Navy, 632 Blue, 728 Green, 935 Grey, 100 White, 220 Yellow, 307 Orange, 400 Red, 900 Black

VERT & VERT LADY

Lightweight softshell jacket with 3 layer fabric. Functional membrane and warming fleece on inside. Contrast zips on front and pockets. Elastic drawstring at hem and Velcro® adjustable cuffs. Additional coloured zip pullers are available to better match your brand.

96% POLYESTER, 4% ELASTANE

950 Grey, 600 Navy, 900 Black

VERT S-3XL, 5XL
VERT LADY S-3XL (8-18)



OEKO-TEX®
CONFIDENCE IN TEXTILES
STANDARD 100
SE 14-218 Swerea IVF
Tested for harmful substances
www.oeko-tex.com/standard100



FLEXBALL

Contemporary knitted beanie, can be worn in different ways. Sewn double folded for a thick and stable feeling, the only seams are on top. Comes with a small plastic hanger for easy display.

100% ACRYLIC

900 Black, 400 Red, 935 Steel Grey, 600 Navy

ONE SIZE FITS ALL







SURF RSX & SURF LADY

Modern fit piqué polo shirt, flat knit at collar and sleeves. Neck tape, side slits and three buttons at front placket.

9100% COMBED COTTON, 200g/m²

100 White, 632 Blue, 935 Grey, 600 Navy,
173 Sand, 728 Spring Green, 400 Red,
900 Black

SURF RSX
SURF LADY

S-3XL, 5XL
S-3XL (8-18)



SURF PRO & SURF PRO LADY

Modern fit piqué polo with 3 buttons at front placket, neck tape, side slits and cuff at bottom sleeves.

60% COTTON, 40% POLYESTER, 200 G/M²

900 Black, 600 Navy

SURF PRO RSX
SURF PRO LADY

S-3XL, 5XL
S-2XL (8-16)





Surf Lady





BEACON SPORTSWEAR

FRESH, FUN, FUNCTIONAL

No matter what your business requirements are, Beacon Sportswear can provide you with a fresh and stylish solution to enhance your company profile and inspire the spirit of unity amongst your employees and clients.

Inspired by the grandeur of the New England Coastline, our garments are designed with an eye for fine detail, provide comfort and functionality, and are made from high quality fabrics.

A SHINING LIGHT IN SPORTS AND BUSINESS WEAR



ARENA

Unisex quilted vest with fleece lining. Two front zip pockets and hidden chest pocket. Lining at inside yoke can be opened for ease of decoration. Binding at collar, hem and around the armholes.

SHELL: 100% NYLON.
LINING: 100% POLYESTER.
FILLING: 100% POLYESTER

900 Black

XS-4XL

Arena



LOMA

Unisex puffer vest with two outside zip pockets, and one inside pocket with exit for ear phones. Micro fleece lining in collar. The lining can be opened for ease of decoration.

SHELL: 100% POLYESTER.
LINING: 100% POLYESTER.
PADDING: 100% POLYESTER.

900 Black, 600 Navy

XXS-3XL, 5XL



Reyes



REYES

Unisex sporty three-in-one wind and waterproof jacket with fully taped seams. Rip-stop patterned outer fabric and mesh lining. Two outer zip pockets and one hidden chest pocket. Detachable hood. Drawstring bottom and Velcro® adjustable cuffs. Removable micro fleece jacket with nylon lined sleeves, two outer pockets as well as inner pockets. Mesh lining can be opened for ease of decoration.

OUTER/INNER SHELL & LINING: 100%
POLYESTER.
WP 3000MM, MVP 3000G/M2. WEIGHT 260G/M2.

900 Black

XS-4XL





HUDSON

Unisex puffer jacket with two outside zip pockets, and one inside pocket with exit for ear phones. Micro fleece lining in collar. The lining can be opened for ease of decoration.

SHELL: 100% POLYESTER.
LINING: 100% POLYESTER.
PADDING: 100% POLYESTER

900 Black

XXS-3XL, 5XL



Hudson

Morgan



MONTANA & MORGAN LADY

Wind and water repellent softshell vest. Two side pockets with zips. Mens vest also has a zipped chest pocket. Adjustable drawstring at hem.

100% POLYESTER, MICROFLEECE & ELASTIC POLYESTER WITH PU LAMINATE, 320G/M2.

600 Navy, 900 Black

MORGAN
MONTANA

S-2XL (8-16)
S-3XL



Perkins



PERKINS & LIBBY LADY

Wind and water repellent softshell jacket. Two side pockets with zips and one inner pocket. Patch pocket on sleeve with zipper. Adjustable drawstring at bottom hem and Velcro® adjustable cuffs. Curved back side of garment, longer the front.

100% POLYESTER, MICROFLEECE & ELASTIC POLYESTER WITH PU LAMINATE, 320G/M2.

900 Black, 600 Navy.

PERKINS S-3XL (8-18)
LIBBY S-3XL:, 5XL





CAPE HORN

Unisex lightly padded classic sailing jacket. Breathable, wind and waterproof jacket with taped seams. High fleece lined collar and detachable hood. Large distinct reflectors and reflective piping at the front. Drawstring at waist and hem. Four front pockets and one inner pocket with exit for earphones cable. Adjustable Velcro® cuffs and hidden inner neoprene cuffs. Quilted lining can be opened for ease of decoration.

SHELL: 100%
NYLON. LINING: 100%
POLYESTER. PADDING: 100% POLYESTER.
WP 10,000MM, MVP 8000G/M2.

600 Navy.

XXS-3XL





Curtis





CURTIS

Unisex wind and waterproof 3-layers shell jacket with taped seams and breathable function. Stretch material for increased mobility and comfort. Two front pockets with waterproof zippers. Adjustable cuffs with Velcro®. Adjustable drawstring at the hem and on the hood. Excellent jacket for layering and year-round use.

100% POLYESTER. WP 3000MM, MVP 3000G/M2.

900 Black, 600 Navy

XS-4XL



Getting the right fit.

BODY MEASUREMENTS

1. Half Chest: measure your chest from under your armpits. Include the highest part of your chest and shoulder blades.

2. Waist: measure at your natural waistline.

3. Seat: standing with your feet together, measure around the fullest part of your seat.

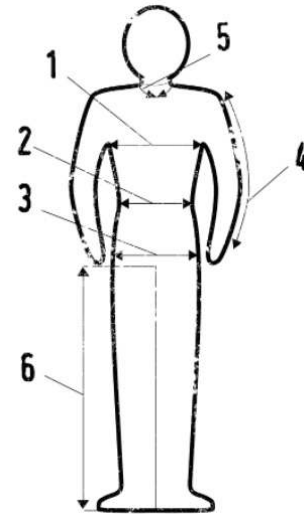
4. Sleeve: with arms relaxed at your side and slightly bent, measure according to the sleeve specification of the particular garment:

(ns) = neck seam – measure from neck to wrist

(cb) = centre back – measure from the centre of the back to wrist

(ss) = shoulder seam – measure from tip of the shoulder to wrist

5. Neck: measure around the base of your neck. Or, simply find a collared shirt that fits you well. Lay the collar flat, and measure from the middle of the collar button around to the far end of the button hole.



STYLE OF GARMENT

Don't forget to take the style of the garment into consideration. Different styles have different fits; some are a modern fit and some are a regular fit.

WASHING

Don't forget to take shrinkage into consideration for cotton garments. Our cotton garment may shrink up to 5%, so allow enough length in the body. For best results, please follow the washing instructions inside your garment.

VARYING SIZES

Don't forget sizing does vary from brand to brand and it is important that you fit by measurements not just size. All garment measurements are available in the Garment Measurement Chart

JUST TO MAKE SURE

The best way to get the correct fit is to order a sizing set. Ask your supplier for details.

RESPON SIBILITY

THE PLANET IS FACED WITH MULTIPLE CHALLENGES THAT DESERVE OUR COMMON ATTENTION. WE MUST ALL TAKE RESPONSIBILITY FOR OUR GLOBAL IMPACTS IN ORDER TO MAKE THE WORLD A GOOD PLACE

We believe in classic design and quality products - a concept that will never be out-of-fashion. Quality is a good way to ensure long-lasting use and sustainable consumption. It is extremely important that all items of James Harvest Sportswear are safe and free from restricted substances.

All suppliers of James Harvest Sportswear must follow the requirements in our Restricted Substance List. The list has been designed in accordance with legislations such as REACH, but also taking into account industry recommendations and standards. As result, our requirements are often stricter than the applicable legislation.

We take part of the Swedish Chemicals Group to receive the most updated information on chemical legislation and developments. With this information we can actively work to reduce and replace chemicals in line with best available technique.

IMPROVING WORKING CONDITIONS

We are aware of the great responsibility that comes with sourcing goods in countries with different legal cultures and labour conditions. We must ensure that the business operations of our suppliers respect national requirements as well as international conventions on human rights. A successful work requires devotion and some amount of patience. Many of the challenges we face are global problems like poverty and malfunctioning welfare systems. In this sense, social compliance does not offer a quick-fix.

We believe it is essential to be present on-site. For this reason, we have local offices in Asia taking care of the everyday-work with supplier auditing, monitoring and dialogue. Our CSR staff are educated and well-experienced on labour conditions and environmental aspects of the production sites. Their work is leading the development.

What do we expect from suppliers in terms of labour conditions?

James Harvest Sportswear has adopted the BSCI Code of Conduct, used for members of the BSCI (Business Social Compliance Initiative). It contains requirements on minimum wage, working hours and the prohibition of child labour, amongst several other requirements from international conventions. These are our main requirements on all suppliers. We also have a commitment towards BSCI to engage our suppliers in third party examination by independent auditors. We consider it a quality assurance to have both internal and external audits.

A BSCI report is not a certificate. It is a tool for responsible brands to be used in systematic monitoring and improving routines. Even the best supplier could occasionally end up with findings. Social compliance must be controlled and implemented in a management system. BSCI also enables brands to cooperate. Today, more than 1300 companies worldwide have joined the BSCI. This empowers our voice and influence in the social dialogue.

New Wave Group, our mother company, is a signatory member of the pioneering Accord on Fire and Building Safety in Bangladesh. The Accord is a binding contract between brands, international and local trade unions and NGOs. Its aim is to make all garment factories in Bangladesh safe workplaces, which includes a program of safety inspections and a commitment to ensure that the necessary repairs and renovations are carried out. The Accord is a unique initiative that will have significant impact on the daily lives of millions of textile workers in Bangladesh. We are proud to be a part of this project. The planet is faced with multiple challenges that deserve our common attention. We must all take responsibility for our global impacts in order to make the world a good place.



CHILD LABOUR AND POVERTY

Today, approximately 1 billion people live in extreme poverty – an overwhelming figure. We can never accept this number in our quest for a sustainable society. Extreme poverty is linked to all the major challenges of the world and forces people to make impossible choices between food, medicine, housing and education. It is often a root cause to global problems like child labour and denial of basic freedoms.

Hand in Hand fights poverty with entrepreneurship. The organization aims to create 10 million jobs for some of the poorest residents of the world. The holistic approach of Hand in Hand includes education and training of women, effective abolishment of child labour, compulsory school attendance and environmental programs with focus on waste management, water treatment and biogas. The work involves whole communities, which gives Hand in Hand a unique impact on the livelihood of all villagers.

So far, Hand in Hand has created 1.7 million jobs and at the current rate, 1000 new jobs are being created each day. James Harvest sportswear supports Hand-in-Hand with funds to enable three villages to participate in the project. Our villages are located in the textile region of Tamil Nadu in southern India.

MORE ON THE ENVIRONMENT

James Harvest Sportswear has two main strategies to decrease environmental impact and to cut our emissions of greenhouse gas. First of all, we must influence the transportation companies that we are working with. Our membership in “Clean Shipping Index” aims to impact the shipping companies to use cleaner vessels by ranking the most high-performing ships.

Our group of companies works with some of the largest transportation companies on the market, all of which have environmental programs in place for their operations. Secondly, we always strive to improve our internal logistics and work methods. Within our group, we club together as much protecting the environment, it also contributes to the streamlining of our operations.

Recycling for a sustainable society to collect and recycle waste packages is a wonderful way to reduce environmental impact and create cradle-to-cradle circulation. James Harvest Sportswear embraces our producer responsibility and contributes financially to the collecting system where we operate. The Green Dot is our credential of participating in the Producer Responsibility Organization. To learn more about our work with CSR, visit: www.texet.se



JAMES HARVEST SPORTSWEAR



james-harvest.com.au



[@jamesharvest_australia](https://www.instagram.com/jamesharvest_australia)



[facebook.com/JamesHarvestAustralia](https://www.facebook.com/JamesHarvestAustralia)

NZ

legendlife.co.nz

COLOUR DIFFERENCE BETWEEN THE PHOTO AND THE ACTUAL GARMENT MAY ARISE DUE TO PHOTO TECHINCAL REASONS. THERE MIGHT ALSO BE DIFFERENCES BETWEEN AN IMAGE PICTURE AND A PRODUCT PICTURE OF THE SAME GARMENT. IN THESE CASES PLEASE REFER TO THE PRODUCT PICTURES IN THE FIRST INSTANCE.

