



SuDS Planter Add-Ons & Extras

MERISTEM
DESIGN

Turning the grey green®

Timber Construction



The standard construction for our SuDS planters is treated C16 softwood timber.

Customise your timber planter further by staining or painting to any chosen RAL colour. These finishes will also further improve the lifespan of the planter.

Alternatively, you can chose our hardwood timber options to provide even better lifespan and durability while retaining the natural timber finish.



- ✓ Cost effective construction
- ✓ Highly customisable with painting, staining and hardwood options.



To find out more email enquiries@meristemdesign.co.uk

Turning the grey green®

Steel Construction



For the best durability, lifespan and weather resistance while maintaining all the water management capabilities of our standard SuDS planter, we offer hot dip galvanised steel planter construction.

For additional protection this steel is then powder coated to any chosen RAL colour and finished with a hardwood timber capping.



- ✓ Highly resistant to weather and rust
- ✓ Enhanced durability and long lasting
- ✓ Customisable to any RAL colours



To find out more email enquiries@meristemdesign.co.uk

Turning the grey green®




Bio Habitat

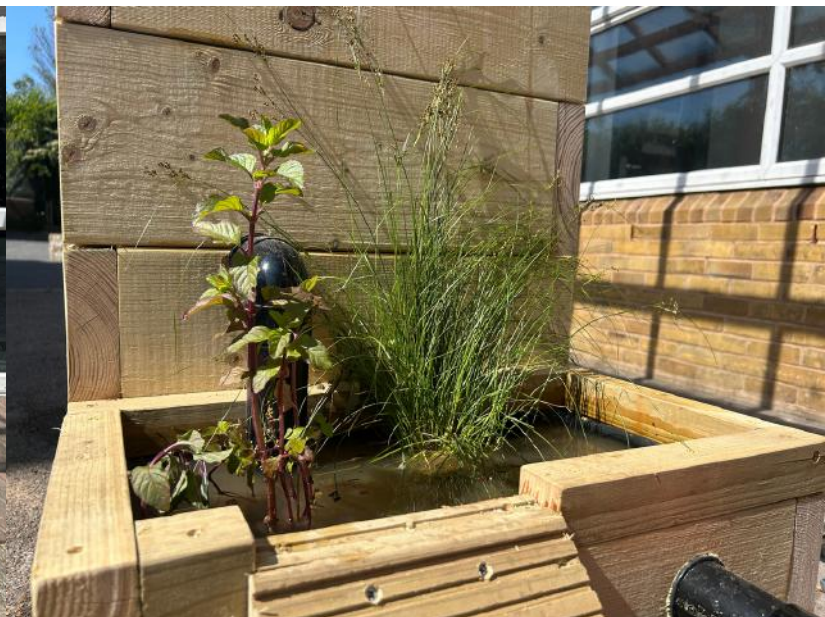


The Bio Habitat SuDS Planter is an innovative sustainable drainage solution designed to deliver climate resilience while actively supporting urban biodiversity.

Combining all the water management capabilities of our standard SuDS planter with integrated wildlife features, it provides a multifunctional green infrastructure tool that captures the imagination and inspires environmental engagement.



-  Includes watering hole for birds and amphibians
-  Incorporates bee bricks, bug hotel, and hedgehog house
-  Provides compost zone and hollow stems



To find out more email enquiries@meristemdesign.co.uk

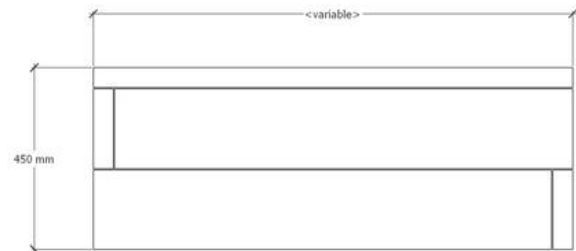
Turning the grey green®

Benches



Enhance your SuDS planter by incorporating interactive seating or step features, encouraging children to engage with the new plants and gain insights into the water cycle and biodiversity.

These elements can be tailored to fit any location or requirement. Constructed from treated softwood timber, they can be painted or stained to achieve various aesthetic styles.



To find out more email enquiries@meristemdesign.co.uk

Turning the grey green®

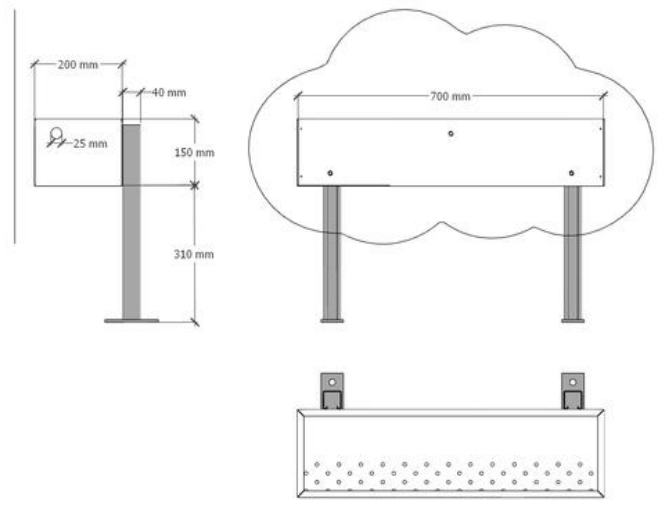
Rain Cloud



A trough collects water from the downpipe and disperses it through perforations, simulating a rain effect. To enhance this feature, a custom cloud graphic is affixed to the front, making it both fun and engaging.

This design is crafted from a folded 2mm galvanized steel perforated box, paired with a dibond print of the cloud.

Additionally, the rain cloud can be customized to accommodate various downpipe sizes and styles.



To find out more email enquiries@meristemdesign.co.uk

Turning the grey green®

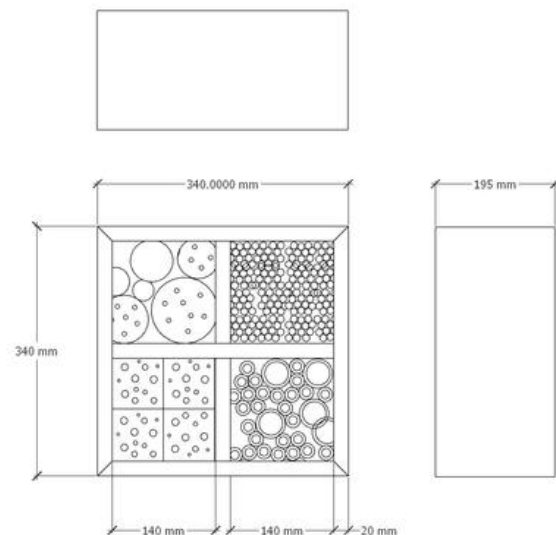
Mounted Habitats



These habitats can be seamlessly integrated into the planter or placed on nearby walls. They serve as a wonderful addition for children to engage with and learn about the wildlife they support.

Crafted from a 20mm sapele hardwood frame, each habitat is filled with a variety of elements, including:

- Crushed stone and tiles (Slugs, Worms and Frogs)
- Reeds for various insects.
- Perforated solid hardwood (Stag beetles and other bugs)
- Bamboo (Beetles, Spiders, Woodlice and Centipedes)
- Bark (Beetles, Spiders, Woodlice and Centipedes)



To find out more email enquiries@meristemdesign.co.uk

Turning the grey green®

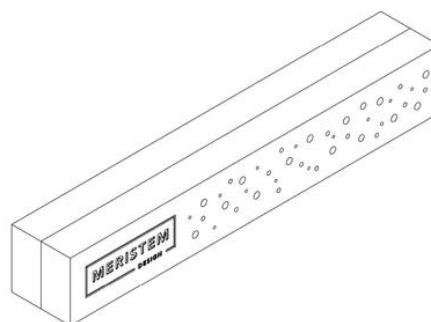
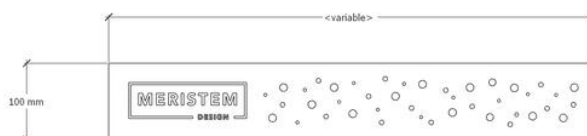
Habitat Capping



Add a simple and aesthetic extra habitat with our SuDS planter habitat capping.

Using high quality hardwood sapele machined with unique insect friendly holes and customisable branding options you can quickly improve the base model of the SuDS planter.

Further possible customisation includes varying the length of the trim and other designs machined into the timber elements including custom branding.



To find out more email enquiries@meristemdesign.co.uk

Turning the grey green®

Info Boards and Graphics

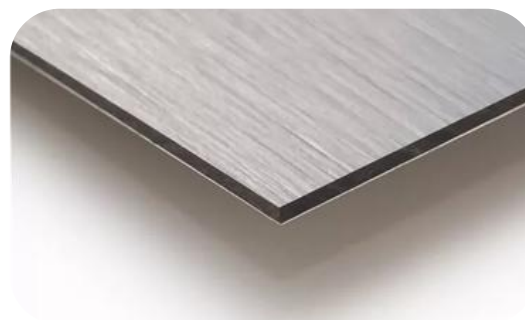


We can provide signage using our baseline SuDS planter info graphics or any other designs given to us, including drawings done by the children of the school.

The signs come in dibond (a 3mm aluminium board) keeping completely weatherproof and staying vibrant.

We print the panels at a high resolution 1440 dpi using weatherproof and UV-resistant inks.

Matt, gloss, or dry wipe laminate options are also available to give your board extra protection.



To find out more email enquiries@meristemdesign.co.uk

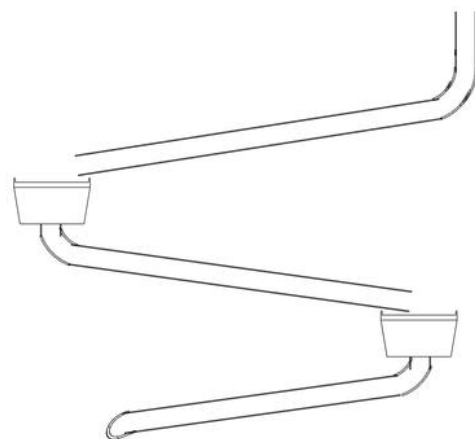
Turning the grey green®

Cascading Downpipes



Add distinct engagement features by transforming downpipes into cascading water flows and perspex tubes.

We have enjoyed designing an array of features, such as diverging water flows, boat races, and transparent pipes. These elements are aimed at captivating students and encouraging their interaction with the planter.



To find out more email enquiries@meristemdesign.co.uk

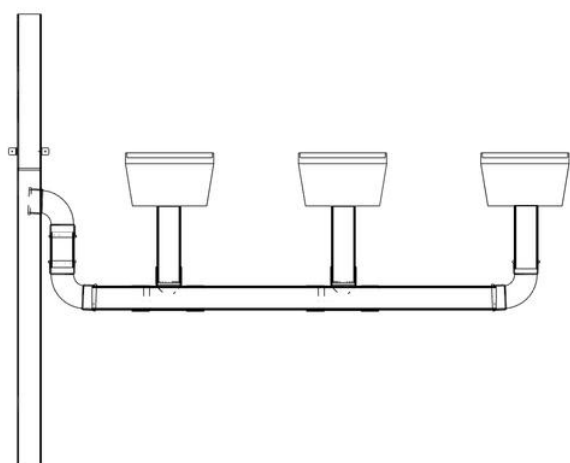
Turning the grey green®

Planted Hoppers



Enhance your downpipes with planting and water storage features incorporate additional pipes and hoppers to your downpipes to create mini planters and increase water storage capacity.

These pipes and hoppers will capture and store water for the plants, which will overflow into the rest of the system once they reach full capacity.



To find out more email enquiries@meristemdesign.co.uk

Turning the grey green®



MERISTEM

DESIGN

Turning the grey green®

To find out more go to
meristemdesign.co.uk

Meristem Design
45-47 Clerkenwell Green,
London, EC1R 0EB

+44 (0) 20 31376971

@meristemdesign