



Angelo's Supplies

A SiteOne™ Company

Winter Catalog
2018-2019



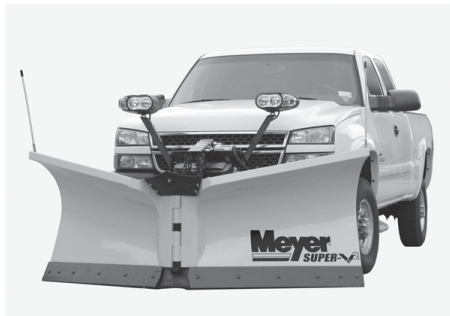
Fax Your Order 24/7
1-248-442-8327

Order Online 24/7
www.angelos-supplies.com

1-800-ANGELO-2
1-800-264-3562

Snow Plows - Salt Spreaders
Service & Installation

Your #1 Supplier For Snow & Ice Removal Equipment Snow Plows, Salt Spreaders & Parts



AIRFLO

BOSS

BRIGGS & STRATTON

DIAMOND

DUMPERDOGG

EARTHWAY

FISHER

MEYER

SALTDogg

SCOOPDOGG

SNOWDOGG

SNOWEX

WESTERN

When It Snows, It's Angelo's

TABLE OF CONTENTS

ATV Spreaders	PG 23	SaltDogg Tailgate Spreader Parts	PG 105-108
ATV Spreader Parts	PG 104	SaltDogg Under Tailgate Spreaders	PG 20
Bearings	PG 138	SaltDogg Under Tailgate Spreader Parts	PGS 127-129
Boss Snow Plow Replacement Parts	PGS 24-33	Scoopdogg Pushers	PG 22
Briggs & Stratton Engine Parts	PG 135	Sheffield Loan Application	PG 3
Caution Lights & Light Bars	PG 139	SnowDogg Snow Plow Packages	PGS 8-11
Cutting Edges	PGS 141-143	SnowDogg Snow Plow Replacement Parts	PGS 62-73
Drag Chains	PGS 130-131	SnowDogg Hydraulic Power Unit & Wiring	PGS 56-61
Driveway Stakes	PG 23	Snow Deflectors	ONLINE
DumperDogg Inserts	PG 21	Snow-Ex Salt Spreader Replacement Parts	PGS 114-115
DumperDogg Insert Parts	PG140	Snow Plow Dollys & Plow Carts	PG 49
DumperDogg Tailgate Spreader	PG 20	Snow Plow Hydraulic Oil	PGS 93, 99,133
DumperDogg Tailgate Spreader Parts	PG 128-129	Snow Plow Lights	PG139
Earthway Walk Behind Spreaders	PG 23	Snow Shovels	PG 23
Earthway Spreader Parts	PG 101	Spinner Disks	PG 122
Hats, Gloves & Safety Vests	ONLINE	Strobe Lights	PG 139
Hydraulic Cylinders	PGS 136-137	Tailgate Mounting Parts	PG 108
Hydraulic Motors	PG 138	Truck Lights	PG 139
Hydraulic Power Unit Rebuild Page	PG. 4	Truck Tarp kits	ONLINE
Meyer Controls & Wiring	PGS 50-53	Ultra-Thin LED Strobes	PG 14, 20
Meyer Crossfire Poly Hopper Spreaders	PG 12	Western Controls & Wiring	PGS 82-84
Meyer Crossfire Hopper Parts	PG	Western Hydraulic Unit Parts	PGS 74-81
Meyer Hydarulic Unit Replacement Parts	PGS 36-42	Western Snow Plow Replacement Parts	PGS 85-100
Meyer Lift Frame Parts	PGS 34-35	Western Tailgate Spreader Parts	PGS 109-111
Meyer Plow Carts	PG 49		
Meyer Replacement Plow Parts	PGS 43-49		
Meyer Saber Light Wiring	PGS 54-54		
Meyer Snow Plow Packages	PGS 6-7		
Misc Plow Parts & Accessories	PG S 132-134		
No Spill Gas Cans	PG 123		
Order Form	PG 5		
Poly Salt Scoop & Poly Salt Box	PG 123		
Pro Wing Kits	PG 137		
Pro Wing Replacement Parts	PG 137		
Roof Rakes	PG 23		
SaltDogg Walk Behind Spreaders	PG 23		
SaltDogg Walk Behind Spreader Parts	PG 102,103		
SaltDogg Electric Poly Hopper Spreaders	PGS 15-17		
SaltDogg Electric Poly Hopper Spreader Parts	PGS 116-121		
SaltDogg Stainless Steel Spreaders	PGS 18-19		
SaltDogg Stainless Steel Spreader Parts	PGS 122-126		
SaltDogg Tailgate Spreaders	PGS 13-14		



P.O. Box 1704, Clemmons, NC 27012
 TELEPHONE: 1-800-438-8892 FACSIMILE: 1-800-438-8894
 www.sheffieldfinancial.com

JOINT APPLICATION WITH _____ AND _____
 Applicant Full Name Joint Applicant Full Name

DATE	SALES PERSON	DEALER NAME	TELEPHONE NUMBER ()
PROMOTION	APPROVAL #	REQUESTED AMOUNT	# PAYMENTS
		FAX NUMBER ()	

APPLICANT INFORMATION CONSUMER/PERSONAL/HOUSEHOLD USE BUSINESS/COMMERCIAL USE

LAST NAME _____ FIRST NAME _____ MIDDLE NAME _____ JR/SR _____

PRESENT STREET ADDRESS (NOT P.O. BOX) _____ APT. # _____ CITY _____ STATE _____ ZIP CODE _____ HOW LONG? YEARS _____

LANDLINE PHONE _____ CELL PHONE _____ SOCIAL SECURITY # _____ BIRTH DATE _____ OWN/BUYING RENT FREE RENT OTHER MONTHLY HOUSING/RENT PAYMENT \$ _____

MAILING ADDRESS IF DIFFERENT FROM ABOVE _____ APT. # _____ CITY _____ STATE _____ ZIP CODE _____

EMAIL ADDRESS *By providing, I agree that Sheffield may use this email address to correspond with me regarding my personal account information.*

EMPLOYMENT INFORMATION - SELF EMPLOYMENT

CURRENT EMPLOYER (IF SELF EMPLOYED, BUSINESS NAME) _____ TYPE OF BUSINESS _____ BUSINESS TELEPHONE NUMBER _____ CHECK IF CELL

EMPLOYER ADDRESS _____ HOW LONG? YRS. - MOS. _____ GROSS MONTHLY INCOME FROM ALL SOURCES* _____
*Alimony, child support or separate maintenance income need not be revealed if you do not wish to have it considered as a basis for repaying this obligation.

CITY _____ STATE _____ ZIP CODE _____ POSITION/TITLE _____

CHECK IF LOAN TO BE IN BUSINESS NAME ABOVE. GUARANTY AGREEMENT REQUIRED.

NAME OF NEAREST RELATIVE NOT LIVING WITH YOU _____ TELEPHONE NUMBER _____ CHECK IF CELL

CITY _____ STATE _____ ZIP CODE _____

BANK INFORMATION

BANK NAME _____

EQUIPMENT INFORMATION	MANUFACTURER:	YEAR:	MAKE:	MODEL:	VIN/SERIAL#:	PRICE:
	1 _____					\$ _____
	2 _____					\$ _____
	3 ACCESSORIES AND OTHER CHARGES/FEES (LIST) _____					\$ _____
NOTICE TO DEALER: THIS INFORMATION WILL BE USED TO PREPARE YOUR CUSTOMER'S CONTRACT. INCORRECT INFORMATION WILL DELAY FUNDING.					TOTAL (LINES 1-3) _____	\$ _____
					LESS CASH DOWN PAYMENT _____	-\$ _____
					LESS TRADE IN* _____	-\$ _____
*If equipment being traded in is financed through Sheffield, call us for pay-off and instructions.					REQUESTED AMOUNT _____	\$ _____

IMPORTANT INFORMATION ABOUT ACCOUNT OPENING PROCEDURES: Federal law requires all financial institutions, prior to account opening, to obtain, verify, and record information that identifies each person who asks to open an account.

WHAT THIS MEANS TO YOU: When you apply for credit, we will ask your name, address, date of birth, and other information that will allow us to identify you. We may also ask to see your driver's license or other identifying documents. Failure to provide the required information may result in denial of your request to open an account.

SIGNATURE (Primary Applicant) _____ **DATE** _____

SIGNATURE (Joint Applicant) _____ **DATE** _____

MUST BE COMPLETED IF JOINT APPLICATION

EACH OF YOU INTEND TO APPLY FOR JOINT CREDIT _____ (initials) _____ (initials)
 Applicant Joint Applicant

SECTION 1 PLEASE PRINT CLEARLY

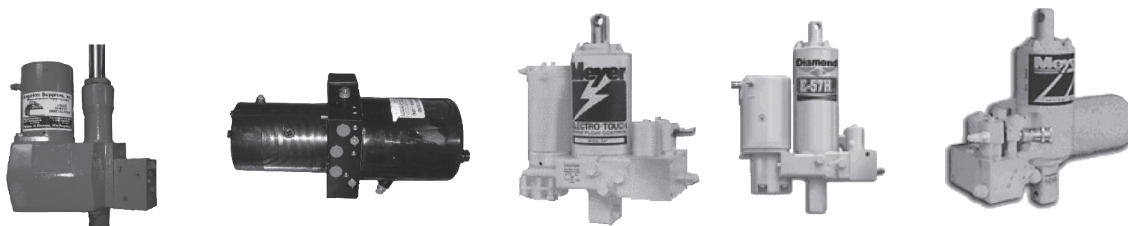
Fax Orders: 248-442-8327

Phone Orders: 1.800.Angelo.2 (1.800.264.3562)

POWER UNIT REBUILD

Let the *Pro's at Angelo's Site One* Rebuild Your *Tired, Broken or Over Worked* Hydraulic Unit!

The unit will be entirely dismantled and reassembled. Any parts that are damaged or corroded will be replaced at our technicians discretion. Pump pressure will be returned to manufacturers specs. When the process is complete your unit will look and operate like new. This process will take approximately 7-14 days after it has been received at Angelo's. You will be charged \$125.00 rebuild rate at the time of receiving the unit which is non-returnable and non-refundable you will be charged for parts and freight back to you when the job is complete. If you choose not to have your unit rebuilt you will be charged a shipping fee to have the unit returned to you along with \$125.00 labor rate! **We only service the following plows Meyer E47-E57-E58-E60 Western Solenoid & Western Flostat. We No Longer Service Any CABLE Control Hydraulic Units.**



Instructions:

1. Complete this form and include it with your hydraulic unit. If this form is not included it will be returned freight collect.
2. Ship unit to Angelo's freight pre-paid.

Angelo's Siteone Landscape Supplies, Inc.
Rebuild Department
30023 Wixom Rd. Wixom MI 48393
1-877-264-3562

First Name:	Last Name:
Company:	
Billing Address:	City:
State:	Zip:
Shipping Address:	City:
State:	Zip:
Phone:	Cell:
Fax:	Email:
Credit Card Number:	
Expiration Date:	V code:
Make of Hydraulic Unit:	Model of Hydraulic Unit:
Description of Problems:	

Form must be filled out completely or no work will be started!

Trade names, Meyer, Western, etc. used in this catalog are for reference purposes only. Angelo's Supplies, Inc. doesn't imply that the products are of these manufacturers. Prices subject to change without notice. All sales are final on electrical items. All authorized returns are subject to a 30% restocking fee. All special order items must be prepaid and sales are final. NO returns or exchanges will be permitted. NS-not shown.

ORDER FORM

Ordering by Fax

1. Fill out order form.
2. Type or print clearly.
3. Include daytime phone, cell and fax number in case there is a question about your order.
4. Make sure to copy all credit card numbers properly including expiration date and security code (the last three digits on the back of the card in the signature strip), or American Express 4 digit code on front.
5. Fax to 248-442-8327

Payment Methods

Angelo's/Siteone Supplies, Inc. accepts all major credit cards: Visa, MasterCard, Discover, and American Express. Personal and business checks can be mailed in, but orders will not be shipped until the check has cleared, which is 14 business days. Cashier's checks and Money Orders are accepted.

Shipping

All packages will be shipped with FEDEX or UPS and are F.O.B. Farmington Hills, MI. with the exception of items that are too heavy or too big, which will ship via truck freight. Trucking fees will come collect to you the customer. FEDEX & UPS charges will be added to the final purchase, at the discounted rate which we receive from FEDEX and UPS.

Returns Procedure

All approved returns MUST have an RMA form in package when returned with a copy of invoice and return authorization number. Call customer service to receive your return authorization number. All sales are final after 30 days of invoice, unless warranted by the manufacturer. All sales are final on any and all electrical items unless warranted by the manufacturer. There will be a 30% restocking fee on all parts returned. Parts returned for warranty could take up to 4 weeks for replacement. Customers are responsible for returning parts to Angelo's/Siteone Supplies, Inc., freight pre-paid.

Prices

Prices are subject to change without notice. We reserve the right to correct layout and pricing errors. Current catalog prices supersede all previous prices.

PART NUMBER	PAGE NO.	DESCRIPTION	QUANTITY	UNIT PRICE	EXTENDED PRICE

Have you ordered from us before?	YES	NO	Account #:
First Name:	Last Name:		
Company:			
Billing Address:	City:		
State:	Zip:		
Shipping Address:	City:		
State:	Zip:		
Phone:	Cell:		
Fax:	Email:		
Credit Card Number:			
Expiration Date:	V code:		
Signature:			

Fax Orders: 248-442-8327

Phone Orders: 1.800.Angelo.2 (1.800.264.3562)

MEYER SNOW PLOWS



MEYER SNOW PLOW PACKAGES

In the snow plowing business, downtime is not an option. That's why the Meyer Drive Pro is built using Reliable Over-time Construction (ROC)... the detailed things we do to make our plows more rugged and reliable. ROC is the result of manufacturing improvements and state-of-the-art technology combined with stringent quality control procedures

Meyer Diamond Edge Plow Package							(Standard Operating System)			
Part Number	Mounting Type	Moldboard Length	Moldboard Height	Moldboard Gauge	Plow Trip Springs	Avg Width @ Full Angle	Angling Rams	Weight	PRICE	
Z500015	Plus	7'6"	31.5"	12 Steel	4	78"	1-1/2" x 10"	805 lbs	\$5300.00	
Z500016	Plus	8'				83"		840 lbs	\$5595.00	
Z500017	Plus	8'6"	31.5"	12 Steel	4	88"	1-1/2" x 10"	870 lbs	\$5725.00	
Z500018	Plus	9'				94"		890 lbs	\$5850.00	

Meyer Drive Pro Plow Package							(Standard Operating System)			
Part Number	Mounting Type	Blade Type	Moldboard Length	Moldboard Height	Moldboard Gauge	Plow Trip Springs	Avg Width @ Full Angle	Angling Rams	Weight	PRICE
Z500002	Plus	Full Trip	6'8"	22.5"	14 Steel	2	72"	1-1/2" x 10"	575 lbs	\$4470.00

Meyer Lot Pro Plow Package							(Standard Operating System)			
Part Number	Mounting Type	Blade Type	Moldboard Length	Moldboard Height	Moldboard Gauge	Plow Trip Springs	Avg Width @ Full Angle	Angling Rams	Weight	PRICE
Z500006	Plus	Full Trip	7'6"	32"	12 ga	4	81"	1-1/2" x 10"	731 lbs	\$5425.00
Z500008	Plus	Full Trip	8'	32"	12 ga	4	86"	1-1/2" x 10"	820 lbs	\$5535.00
Z500009	Plus	Full Trip	8'6"	32"	12 ga	4	92"	1-1/2" x 10"	766 lbs	\$5645.00
Z500011	Plus	Full Trip	9'	32"	12 ga	4	97"	1-1/2" x 10"	781 lbs	\$6000.00

Slot and Tab Construction Continuously Welded Ribs Pre-drilled Deflector Holes
America's Best 5-Year Warranty When Registered Online

Let the *Pro's at Angelo's Site One* Rebuild Your
Tired, Broken or Over Worked Hydraulic Unit!

Trade names, Meyer, Western, etc. used in this catalog are for reference purposes only. Angelo's Supplies, Inc. doesn't imply that the products are of these manufacturers. Prices subject to change without notice. All sales are final on electrical items. All authorized returns are subject to a 30% restocking fee. All special order items must be prepaid and sales are final. NO returns or exchanges will be permitted. NS-not shown.

MEYER SNOW PLOWS



Meyer Road Pro Plow Package (Standard Operating System)										
Part Number	Mounting Type	Blade Type	Moldboard Length	Moldboard Height	Moldboard Gauge	Plow Trip Springs	Avg Width @ Full Angle	Angling Rams	Weight	PRICE
Z500027	N/A	Full Trip	9'	36"	10 ga	6	93"	2.5" x 11.5"	1562 lbs	\$12280.00
Z500028	N/A	Full Trip	10'	36"	10 ga		104"		1610 lbs	\$12280.00
Z500029	N/A	Full Trip	10'	36"	3/8" Poly	6		2.5" x 11.5"	1590 lbs	\$12455.00
Z500030	N/A	Full Trip	11'	36"	10 ga		114"		1660 lbs	\$12545.00

Meyer Super V & V2										
Part Number	Plow Type	Blade Type	Moldboard Length	Moldboard Height	Moldboard Gauge	Plow Trip Springs	Avg Width @ Full Angle	Angling Rams	Weight	PRICE
Z500020	V	Bottom Trip	8'6"	30.5"	12 ga Steel	4	88"	1.5" x 12" Double Acting	900 lbs	\$6995.00
M51600	V2		8.6"				99"		940 lbs	\$6995.00
Z500023	V	Bottom Trip	9'6"	30.5"	12 ga Steel	4	99"	1.5" x 12" Double Acting	940 lbs	\$7165.00
M51700	V2		9'6"						29.5"-38.25"	12 ga Stainless

Meyer Wingman Plow Package										
Part Number	Mounting Type	Blade Type	Moldboard Length	Moldboard Height	Moldboard Gauge	Plow Trip Springs	Avg Width @ Full Angle	Angling Rams	Weight	PRICE
M28300	Hitch	Full Trip	6'8"	22"	14 ga	2	72"	N/A	371 lbs	\$3920.00

This warranty runs for a period of two years from the date of purchase on any purchase of a complete Snow Plow Package. For Full Warranty Coverage Info Go To Meyer Products Website

Reliability Performance Ease of Use
Specifications:

Quick Facts:

Type: Full-trip or Bottom-Trip

Vehicle: 26,000 - 33,000 GVW municipal trucks

Construction: Steel or Polyethylene

SNOWDOGG SNOW PLOWS

Brushed finished stainless steel moldboard
 Heavy duty 48" x 4" square sector with six 1/2" trip ears
 Massive, robotically welded 3/8" plate sector construction
 Tall moldboard with aggressive curvature & overhang for excellent throwing action
 Super-Duty 12" belted deflector
 Foot pedal operated mounting for easy removal
 Super bright plow lights with vibration resistant double stud mounts
 5/8" heavy duty cutting edge
 Cast iron heavy duty shoes
 Fluorescent orange blade guide kit
 Integral hydraulics or central hydraulic option



SNOWDOGG SNOW PLOW PACKAGES

CM Series									
Part Number	Width	Blade Height	Angle Cylinders	Ribs	Trip Style	Width Angled	Springs	Weight	PRICE
CM100	120"	31"	2" x 12"	10	Full Plow	104"	6	1084 lbs	\$5439.00



Stainless steel corrosion free moldboard
 1/4" Laser cut steel ribs
 Covered power unit and hydraulics
 Quick attach/detach mounting
 Lift Arm - 35 degree travel provides exceptional snow stacking
 4 Stress-optimized trip springs
 Contoured lift frame
 Adjustable/removable jack stand

EX Series II									
Part Number	Width	Blade Height	Angle Cylinders	Ribs	Trip Style	Width Angled	Springs	Weight	PRICE
EX75II	90"	31"	1-1/2" x 12"	9	Full Trip	78"	4	745 lbs	\$4479.00
EX80II	96"					83"		765 lbs	\$4559.00
EX85II	102"	31"	1-1/2" x 12"	9	Full Trip	88.3"	4	785 lbs	\$4639.00
EX90II	108"					93.5"		805 lbs	\$4799.00

Trade names, Meyer, Western, etc. used in this catalog are for reference purposes only. Angelo's Supplies, Inc. doesn't imply that the products are of these manufacturers. Prices subject to change without notice. All sales are final on electrical items. All authorized returns are subject to a 30% restocking fee. All special order items must be prepaid and sales are final. NO returns or exchanges will be permitted. NS-not shown.

SNOWDOGG SNOW PLOWS



HALF THE WEIGHT, ALL THE QUALITY

- The standard HT300 power unit for ease of service, reliable and fast performance.
- The same aggressive curvature and attack angle as the HD/EX series
- The same easy to use foot pedal mounting & adjustable jack mechanism.
- Super bright plow lights with double stud mounts
- Standard 3/8" cutting edge • Brushed stainless moldboard • Standard cast iron plow shoes • Standard poly deflector

HD Series II

Part Number	Width	Blade Height	Angle Cylinders	Ribs	Trip Style	Width Angled	Springs	Weight	PRICE
HD75II	90"	29"	1.5" x 12"	9	Full	78"	4	608 lbs	\$4389.00
HD80II	96"					83"		700 lbs	\$4479.00
16021510	HD Plow Wings		-	-	-	-	-	-	\$779.99
16021610	EX Plow Wings		-	-	-	-	-	-	



Typical Application 1/2 ton, 3/4 Ton Light Duty Truck & SUV's

STANDARD FEATURES

- Medium-Duty plow
- Half the weight of the EX Series plows
- Most trucks with no OEM plow prep package, lighter duty trucks and SUV's can handle the MD Series plows

MD Series

Part Number	Width	Blade Height	Angle Cylinders	Ribs	Trip Style	Width Angled	Springs	Weight	PRICE
MD68	80"	24"	1-1/2" x 10"	6	Full	69.2"	2	380 lbs	\$3854.00
MD75	90"			8	Full	78"	2	400 lbs	\$3919.00
MD80	96"			10	Full	83"	2	439 lbs	\$4099.00

Fax Orders: 248-442-8327

Phone Orders: 1.800.Angelo.2 (1.800.264.3562)

SNOWDOGG SNOW PLOWS

Typical Application:
3/4-Ton, 1-Ton & super-duty trucks

STANDARD FEATURES

- Best of the HD/EX Series with a reliable trip edge design
- Deflectors, shoes and a heavy-duty cutting edge are all included as standard items
- Trip edge mechanism keeps the snow in front of your plow
- Smooth tripping action

Ideal for: Commercial users who prefer the operation of a trip edge plow

NEW Central hydraulic lift frame available



TE Series II

Part Number	Width	Blade Height	Angle Cylinders	Ribs	Trip Style	Width Angled	Springs	Weight	PRICE
TE75II	90"	31"	1.5" X 12"	8	Edge	78"	4	705 lbs	\$4399.00
TE80II	96"					83"		772 lbs	\$4479.00
TE90II	108"					94"		812 lbs	\$4719.00



STANDARD FEATURES

- Power of the VXF Series in a lighter package
- Flared wings for moving and throwing snow

Ideal for:
Small business owners and light-duty commercial users

Typical Application 1/2-Ton plow prep & 3/4-Ton plow prep trucks

Power unit / hydraulics; full size SAE std. cartridge valves, oversized 3/8" rubber hoses, integral valve manifold. Easy to use over center linkage operated locking pins with foot pedals, allows for quick mounting & dismantling of plow 1-1/2" x 12" Double acting angle cylinders allow for real back dragging, standard. Adjustable / Removable jack stand allows for maximum flexibility for a wide range of mounting conditions and surfaces. Contoured lift frame for greater ground clearance

VMD Series & VXF Series II

Part Number	Width	Blade Height	Angle Cylinders	Ribs	Trip Style	Width Angled	Springs	Weight	PRICE
VMD75	90"	26"/33"	1.5 x 1.75 x 12	6	Edge	78"	4	700 lbs	\$5519.00
VXF85II	102"	29"/37"		8		88"	4	978 lbs	\$5599.00
VXF95II	114"					99"	4	998 lbs	\$5759.00

SNOWDOGG SNOW PLOWS



HYDRAULICALLY EXPANDING WINGS ADD 24" TO YOUR PLOWING WIDTH

- Rugged center moldboard construction spreads loads across components not connection points
- Simple hydraulics with full size SAE cartridge valves and oversized 3/8" hoses
- Forward 20° scoop provides excellent snow pushing action and still allows for flawless throwing while windrowing.
- Adjust your width on the fly for drive-thrus, driveways or narrow spots.

XP Series									
Part Number	Width	Blade Height	Angle Cylinders	Ribs	Trip Style	Width Angled	Springs	Weight	PRICE
XP810	96"-120"	29"	1.5" x 12"	9	Full	104"	4	1021 lbs	\$5759.00

Introducing The Snowdogg II Snow Plows Floating A-Frame

The new tubular steel Floating A-Frame features a sliding-pin connection. This makes the plow less sensitive to mount height, and easy to align. The sliding-pin connection lets the plow contour the road for a clean clear, and helps avoid uneven edge wear. Not to mention, the design increases ground clearance 20% over previous models.

QuickMount II

No need for a plow jack with the QuickMount II. The plow's integrated swing-down feet are independently actuated and height adjustable, for easy mounting and dismounting even on rugged terrain. With the QuickMount II just drive into position, push on SnowDogg light bar, attach the electrical and safety pins, and kick up the stands.

Moldboard

Features a signature 304 stainless steel SnowDogg moldboard with nine 3/16 in laser-cut steel ribs A full-length 2 in. cross tube and a heavy duty bottom channel spread ensure impact is spread across the entire plow to protect vital connection points. An aggressive 70° attack angle along with a standard 3/8 in. cutting edge provide excellent scrapping action. All steel

Trip Action, Lift and Angling Cylinders

Four stress-optimized trip springs provide 40° of full moldboard trip action to help protect your equipment from hidden curbs or rocks. The new municipal style lift arm, chain, and cylinder allow for higher lift at a faster pace, and easy adjustments. The plow's oversize angle cylinders produce powerful, fast, and agile angling.

The Full Package

Buyers Products continues to raise the industry bar for quality and value. The fully enclosed 2HP, DC-powered hydraulic unit comes equipped with SAE standard cartridge valves and hefty 3/8 in. rubber hoses. A shock kit, "gloves-on" in-cab backlit controller, poly snow deflector, cast plow shoes, and dual-beam halogen plow lights come standard on the HD80 II. Plus, there is complete fleet interchangeability and backwards compatibility with all other HD, EX, TE, CM, and XP Series plows.

Fax Orders: 248-442-8327

Phone Orders: 1.800.Angelo.2 (1.800.264.3562)

MEYER CROSSFIRE POLY SPREADER



Performance

Built-In Pre-Wetting System
Pre-wetting the material speeds up the melting process and reduces how far the granules bounce once they hit the pavement. Pre-wetting can save up to 30% in material usage.

	Crossfire M64740	Crossfire Deluxe M64741	Crossfire M64742	Crossfire Deluxe M64743
PRICE	\$6350.69	\$7601.29	\$66569.69	\$7664.79
Size	6 Ft	6 FT	8 Ft	8 FT
Construction	Polyethylene	Polyethylene	Polyethylene	Polyethylene
Capacity	1.5 YD	2.0 YD	1.5 YD	2.0 YD
Dimensions (h x w x l)	37" x 70" x 92"	37" x 70" x 92"	37" x 70" x 116"	37" x 70" x 116"
Empty Weight	420 lbs	795 lbs	625 lbs	974 lbs
Motor	12V	12V	12V	12V
Spinner	13" Poly	13" Poly	13" Poly	13" Poly
Spread Width	4-30 ft	4-30 ft	4-30 ft	4-30 ft
Pre Wet System	N/A	Yes	N/A	Yes
Material Spread	Salt/ Calcium Chloride	Salt/ Calcium Chloride	Salt/ Calcium Chloride	Salt/ Calcium Chloride
Vehicle Application	3/4-ton pickup trucks	3/4-ton pickup trucks	3/4-ton pickup trucks	3/4-ton pickup trucks

Better By Design and Backed By A 5-Year Warranty

The Crossfire was designed with extensive input from experienced end users looking for a better insert spreader. Crossfires have been designed to be easier to use, easier to maintain and easier on your vehicle. Auger-driven spreaders are best used with dry, free-flowing material.

Reliability

We designed the Crossfire to be easy and simple to maintain while providing years of trouble-free use. Some of the key built-to-last features found in the Crossfire line includes:

Polyethylene hopper provides years of service and will not rust or corrode.

Heavy-duty 1/2-horsepower auger motor grinds through tough chunks providing an even material flow to the auger.

Low friction poly auger bearing requires no lubrication or maintenance.

Auger assembly can quickly be removed for inspection or maintenance.

The spinner assembly can be removed making it easy to offload material at the end of a long shift.

SALTDogg TAILGATE SPREADERS



TGSUVPROA
Gravity feed with vertical 12 VDC auger assist
Pre-wired for optional vibrator ki (3008241)
Compares to: Boss TGS600, Meyer Mini jr, Western 500, Snowex SP575 \$679.00

TGS01B
Gravity feed with vertical 12 VDC auger assist
Pre-wired for optional vibrator ki (3008241)
Compares to: Blaster 350 Meyer BL240 \$919.00

TGS02
Horizontal Auger Feed
Pre-wired for optional vibrator ki (3008241)
Compares to: Snowex SP125 Snowex SP225 \$819.00

TGS03
Horizontal Auger Feed
Optional vibrator for salt/sand mix (3020340)
Compares to: Meyer Blaster 350, Swenson Tailhawk 350, Snowex SP1875 \$1369.00

Buyers Products Company warrants all parts of the product to be free from defects in material and workmanship for a period of one (1) year. Parts must be properly installed and used under normal conditions.

	TGSUVPROA	TGS01B	TGS02	TGS03
Ideal Use	Residential Light Commercial	Commercial	Residential Light Commercial	Commercial
Construction	Polyethylene/Steel	Polyethylene/Steel	Polyethylene/Steel	Polyethylene/Steel
Capacity	4.41 cu ft/331 lb	8.0 cu ft/602 lb	3 cu ft/225 lb	8 cu ft/600 lb
Dimensions (h x w x l)	40.5" x 22.5" x 20.5"	45.7" x 29.7" x 30.3"	32" x 30" x 22"	45" x 38" x 30"
Weight	68 lb (30.8 kg)	135 lb (61.2 kg)	64 lbs (29 kg)	160 lb (72.57kg)
Feed Mechanism	Gravity Feed w/Vertical Auger Assist	Gravity Feed w/Vertical Auger Assist	Horizontal Auger Feed	Horizontal Auger w/Stainless Steel Trough
Motor	12 VDC, 45 Amps	12 VDC, 45 Amps	12 VDC, 45 Amps Dual Shaft Gear Motor	12 VDC, 45 Amps Dual Shaft Gear Motor
Spinner	9" (22.9cm) Poly	9" (22.9cm) Poly	9" (22.9cm) Poly	12" Poly
Spread Width	3 ft - 30- ft	3 ft - 30- ft	3 ft - 30- ft	3 ft - 30- ft
Receiver Hitch	2", Class 4	1-1/4" & 2", Class 4	2", Class 4	2", Class 4 w/Horiz & Vert Adj
Control	Variable Speed Controller (3011864)	Variable Speed Controller (3011864)	Variable Speed Controller (3011864)	Variable Speed Controller (3011864)
Vehicle Application	Suvs, 1/2, 3/4 & 1 Ton Trucks	1/2, 3/4 & 1 Ton Trucks	Suvs, 1/2, 3/4 & 1 Ton Trucks	1/2, 3/4 & 1 Ton Trucks

Part Number	2" Receiver Mount	Swing Gate Mount	Vibrator	6 Ft Wire Extension	Utility Light	Led Flood Light	Third Brake Light	Strobe Lights	
TGSUVPROA	Standard	N/A	N/A	N/A	AX4411 \$8.59	1492113 \$37.69	0207100 \$29.29	8891004 \$31.69	8891006 \$35.89
TGS01B	0207005 \$216.59	025000A \$297.29	3008241 \$137.09	0204250 \$14.49	AX4411 \$8.59	1492113 \$37.69	0207100 \$29.29	8891004 \$31.69	8891006 \$35.89
TGS02	Standard	025000A \$297.29	3008241 \$137.09	N/A	N/A	N/A	0207100 \$29.29	8891004 \$31.69	8891006 \$35.89
TGS03	Standard	025000A \$297.29	3008241 \$137.09	N/A	N/A	N/A	0207100 \$29.29	8891004 \$31.69	8891006 \$35.89

Fax Orders: 248-442-8327

Phone Orders: 1.800.Angelo.2 (1.800.264.3562)

SALTDogg TAILGATE SPREADERS



TGS05B
Gravity feed with vertical 12 VDC auger assist
Optional wintergate mount allows full truck bed access
Compares to: Boss TGS1100 Meyer Blaster 750 Western LP25000 Snowex Pivot Pro 1075 Swenson Tailhawk 750
\$1163.79



TGS06
Adjustable Flow Design
Includes 80lb Vibrator
Compares to: Meyer Mate
\$1138.09



TGS07
Horizontal Auger Feed
Includes concealed 200lb vibrator & top screen
Dual action lid for loading from ground or truck bed
Compares to: Boss TGS800 Air-Flo MSS Western Pro Flow 2 Snowex SP1075
\$1699.00

	TGS05B	TGS06	TGS07
Ideal Use	Residential & Light Commercial	Commercial	Residential & Light Commercial
Construction	Polyethylene/Steel	Polyethylene	Polyethylene/Steel
Capacity	10.79 cu ft / 809 lbs	10 cu ft / 75 lbs	11 cu ft / 825 lbs
Dimensions (h x w x l)	40.1" x 54.3" x 27.3"	40" x 63" x 27"	46" x 53" x 31.5"
Weight	212 lb (96.2 kg)	160 lb (72.6 kg)	230 lb (104.33 kg)
Feed Mechanism	Gravity Feed w/Vertical Auger Assist	Manual Open/Close Gate w/ Gravity Feed	Horizontal Auger w/Stainless Steel Trough & Adj. Inverted V
Motor	12 VDC,45 Amps	12 VDC,45 Amps	12 VDC, 45 Amps Dual Shaft Gear Motor
Spinner	9" Poly	9" Poly	12" Poly
Spread Width	3 ft - 30 ft	3 ft - 30 ft	3 ft - 30 ft
Receiver Hitch	2", Class 4	2"/ Class 4 w/Hori & Vert Adj. (patented)	2"/ Class 4 w/Hori & Vert Adj. (patented)
Control	Variable Speed Controller (3011864)	Variable Speed Controller (3011864)	Variable Speed Controller (3011864)
Vehicle Application	3/4 and 1 Ton Trucks	3/4 and 1 Ton Trucks	3/4 and 1 Ton Trucks

Part Number	2" Receiver Mount	Swing Gate Mount	Vibrator	6 Ft Wire Extension	Utility Light	Led Flood Light	Third Brake Light	Strobe Lights	
TGS05B	0207005 \$216.59	025000A \$297.29	3008241 \$137.09	0204250 \$14.49	AX4411 \$8.59	1492113 \$37.69	0207100 \$29.29	8891004 \$31.69	8891006 \$35.89
TGS06	N/A	N/A	3008241 \$137.09	N/A	AX4411 \$8.59	1492113 \$37.69	0207100 \$29.29	8891004 \$31.69	8891006 \$35.89
TGS07	Standard	N/A	3008241 \$137.09	N/A	AX4411 \$8.59	1492113 \$37.69	0207100 \$29.29	8891004 \$31.69	8891006 \$35.89



PART NUMBER	DESCRIPTION	Price
8892200	Ultra-Thin Strobe .26in, 6 Amber LEDs, 23 Flash Patterns, 12-24V, Waterproof	\$43.19
8892201	Ultra-Thin Strobe .26in, 6 Clear LEDs, 23 Flash Patterns, 12-24V, Waterproof	
8892202	Ultra-Thin Strobe .26in, 6 Amber/Clear LEDs, 23 Flash Patterns, 12-24V, Waterproof	\$43.19
8892209	Ultra-Thin Strobe .26in, 6 Green LEDs, 23 Flash Patterns, 12-24V, Waterproof	
8892210	Ultra-Thin Strobe .26in, 6 Amber/Green LEDs, 23 Flash Patterns, 12-24V, Waterproof	\$43.19
8892225	Black Bracket for Ultra-Thin Strobe LEDs	\$10.99

Trade names, Meyer, Western, etc. used in this catalog are for reference purposes only. Angelo's Supplies, Inc. doesn't imply that the products are of these manufacturers. Prices subject to change without notice. All sales are final on electrical items. All authorized returns are subject to a 30% restocking fee. All special order items must be prepaid and sales are final. NO returns or exchanges will be permitted. NS-not shown.

SALTDogg ELECTRIC POLY HOPPER SPREADERS



SHPE0750

Includes top screen, tarp, 1496505 tie down, & 3022215 remote auger bearing grease kit

\$2599.00

SHPE1000

Includes top screen, tarp, 1496505 tie down, & 3022215 remote auger bearing grease kit

\$2949.00

SHPE1500

Includes top screen, tarp, 1496505 tie down, & 3022215 remote auger bearing grease kit

\$3149.00

SHPE2000

Includes top screen, tarp, 1496505 tie down, & 3022215 remote auger bearing grease kit

\$3549.00

	SHPE0750	SHPE1000	SHPE1500	SHPE2000
Ideal Use	Residential Light Commercial	Light & Medium-Duty Commercial	Medium & Heavy-Duty Commercial	Medium & Heavy-Duty Commercial
Construction	Black Polyethylene	Black Polyethylene	Black Polyethylene	Black Polyethylene
Capacity	0.75 cu yds	1.0 cu yds	1.45 cu yds	2.0 cu yds
Dimensions (H X W X L)	28" x 48" x 63.2" (hopper length 53")	34" x 48" x 71.5" (hopper length 68")	38" x 50.5" x 99.7" (hopper length 87.3")	40" x 47.8" x 100" (hopper length 96")
Weight	280 lbs / 289 lbs*	343 lbs / 347 lbs*	520 lbs /529 lbs*	560 lbs /564 lbs*
Feed Mechanism	2-1/2" Stainless Steel Auger & Trough	2-1/2" Stainless Steel Auger & Trough	2-1/2" Stainless Steel Auger & Trough	2-1/2" Stainless Steel Auger & Trough
Auger Motor	12 vdc - .50hp	12 vdc - .50hp	12 vdc - .50hp	12 vdc - .50hp
Spinner Motor	12 vdc - .25hp	12 vdc - .25hp	12 vdc - .25hp	12 vdc - .25hp
Spinner	14" Poly	14" Poly	14" Poly	14" Poly
Spread Width	5ft - 30ft	5ft - 30ft	5ft - 30ft	5ft - 30ft
Chute	Standard & Extended	Standard & Extended	Standard & Extended	Standard & Extended
Vibrator	Included	Included	Included	Included
Control	In Cab Console (3014199)	In Cab Console (3014199)	In Cab Console (3014199)	In Cab Console (3014199)
Vehicle Application	Utility vehicles, 1/4 ton, 1/2 ton & 3/4 ton trucks	1/2 ton & 3/4 ton trucks	3/4 ton & 1 ton trucks	1 ton trucks (above 10,000 lbs GVW)

Accessories	Controller	Utility Light	Led Flood Light	Remote Grease Kit	Truck Side Harness Repair Ends	Spreader Side Spinner Repair Ends	Spreader Side Auger & Vibrator Repair Ends
SHPE0750	3014199 \$533.69	AX4411 \$8.59	1492113 \$37.69	3022215 \$27.49	3024188 \$30.99	3017238 \$9.99	3017233 \$16.59
SHPE1000	3014199 \$533.69	AX4411 \$8.59	1492113 \$37.69	3022215 \$27.49	3024188 \$30.99	3017238 \$9.99	3017233 \$16.59
SHPE1500	3014199 \$533.69	AX4411 \$8.59	1492113 \$37.69	3022215 \$27.49	3024188 \$30.99	3017238 \$9.99	3017233 \$16.59
SHPE2000	3014199 \$533.69	AX4411 \$8.59	1492113 \$37.69	3022215 \$27.49	3024188 \$30.99	3017238 \$9.99	3017233 \$16.59

Fax Orders: 248-442-8327

Phone Orders: 1.800.Angelo.2 (1.800.264.3562)

SALTDogg ELECTRIC PRO SERIES SPREADERS



PRO2000

Includes top screen, tarp, 1496505 tie down, & 3022215 remote auger bearing grease kit

\$4699.00

PRO2000CH

Includes top screen, tarp, 1496505 tie down, & 3022215 remote auger bearing grease kit

\$4699.00

PRO2500

Includes top screen, tarp, 1496505 tie down, & 3022215 remote auger bearing grease kit

\$4999.00

PRO2500CH

Includes top screen, tarp, 1496505 tie down, & 3022215 remote auger bearing grease kit

\$4999.00

Pro Series	PRO2000	PRO2000CH	PRO2500	PRO2500CH
Ideal Use	Medium & Heavy-Duty Commerical		Medium & Heavy-Duty Commerical	
Construction	Polyethylene		Polyethylene	
Capacity	2 cu yds		2.5 Cu Yds	
Dimensions (H X W X L)	44.3" x 48" x 96"		44.3" x 48" x 96"	
Weight	705 lbs	725 lbs	986 lbs	1023 lbs
Feed Mechanism	5.25" Full Length Steel Variable Pitch Auger Stainless Steel Trough	12" Wide Steel Pintle Chain Stainless Steel Trough	5.25" Full Length Steel Variable Pitch Auger Stainless Steel Trough	12" Wide Steel Pintle Chain Stainless Steel Trough
Auger Motor	12 vdc 3/4 Hp	N/A	12 vdc 3/4 Hp	N/A
Chain Motor	N/A	12 vdc 3/4 Hp	N/A	12 vdc 3/4 Hp
Spinner Motor	12 vdc 1/2 Hp		12 vdc 1/2 Hp	
Spread Width	5 ft - 30 ft		5 ft - 30 ft	
Spread Material	Bulk Salt & Salt Sand Mix		Bulk Salt & Salt Sand Mix	
Chute	Swing Away 3 Position		Swing Away 3 Position	
Vibrator	12 VDC 200 Lb		12 VDC 200 Lb	
Control	Heavy Duty Variable Speed 3016934		Heavy Duty Variable Speed 3016934	
Vehecal Application	Min 10,000 lbs GVW		Min 13,000 lbs GVW	
Truck application is only a reference. The Gross Vehicle Weight (GVW) of the truck & calculated payload must be evaluated for each application.				

BUYERS SALTDogg HOPPER SPREADERS

Accessories	Controller	Utility Light	Led Flood Light	Remote Grease Kit	Truck Side Harness Repair Ends	Spreader Side Spinner Repair Ends	Spreader Side Auger Repair Ends	Spreader Side Vibrator Repair Ends
PRO2000	3016212 \$533.69	AX4411 \$8.59	1492113 \$37.69	3022215 \$27.49	3017233 \$16.59	3020301 \$10.79	3024738 \$65.29	N/A
PRO2000CH	3014199 \$533.69	AX4411 \$8.59	1492113 \$37.69	3022215 \$27.49				N/A
PRO2500	3014199 \$533.69	AX4411 \$8.59	1492113 \$37.69	3022215 \$27.49	3017233 \$16.59	3020301 \$10.79	3024738 \$65.29	N/A
PRO2500CH	3014199 \$533.69	AX4411 \$8.59	1492113 \$37.69	3022215 \$27.49				N/A

Trade names, Meyer, Western, etc. used in this catalog are for reference purposes only. Angelo's Supplies, Inc. doesn't imply that the products are of these manufacturers. Prices subject to change without notice. All sales are final on electrical items. All authorized returns are subject to a 30% restocking fee. All special order items must be prepaid and sales are final. NO returns or exchanges will be permitted. NS-not shown.

SALTDogg ELECTRIC POLY HOPPER SPREADERS



SHPE3000
Stainless Steel Auger
Independent Spinner & Auger Control
12 VDC Vibrator rated at 200 force pounds \$5499.00

SHPE4000
Stainless Steel Auger
Independent Spinner & Auger Control
12 VDC Vibrator rated at 200 force pounds \$7099.00

SHPE6000
Stainless Steel Auger
Independent Spinner & Auger Control
12 VDC Vibrator rated at 200 force pounds \$8799.00

	SHPE3000	SHPE4000	SHPE6000
Ideal Use	Medium & Heavy-Duty Commerical	Medium & Heavy-Duty Commerical	Medium & Heavy-Duty Commerical
Construction	Black Polyethylene	Black Polyethylene	Black Polyethylene
Capacity	3.0 cu yds	4.0 cu yds	6.0 cu yds
Dimensions (H X W X L)	52.7" x 49.6" x 123.7" (hopper length 98.5")	43.5" x 74" x 114.8" (hopper length 98.5")	57" x 77" x 133.5" (hopper length 98.5")
Weight	945 lbs	895 lbs	1134 lbs
Feed Mechanism	6" Carbon Steel Auger, Stainless Steel Trough	5.5" Carbon Steel Auger, Stainless Steel Trough	6" Carbon Steel Auger, Stainless Steel Trough
Motor	(2) 12 vdc	(2) 12 vdc	(2) 12 vdc
Spinner Motor	12 vdc - .25hp	12 vdc - .25hp	12 vdc - .25hp
Spinner	14" Poly	14" Poly	14" Poly
Spread Width	5ft - 30ft	5ft - 30ft	5ft - 30ft
Chute	Adjustable	Standard	Standard
Control	In Cab Console (3016934)	In Cab Console (3016934)	In Cab Console (3016934)
Vehical Application	Min 13,000 GVW	Min 15,000 GVW	Min 25,999 GVW
Truck application is only a reference. The Gross Vehicle Weight (GVW) of the truck & calculated payload must be evaluated for each application.			

Accessories	Controller	Utility Light	Led Flood Light	Remote Grease Kit	Truck Side Wire Harness Repair Ends	Spreader Side Spinner Repair Ends	Spreader Side Auger Repair Ends	Spreader Side Vibrator Repair Ends	Strobe Lights	
SHPE2250	3016212 \$533.69	AX4411 \$8.59	1492113 \$37.69	3022215 \$27.49	3017233 \$16.59	3024738 \$65.29	3024738 \$65.29	N/A	8891004 \$31.69	8891006 \$35.89
SHPE3000	3016212 \$533.69	AX4411 \$8.59	1492113 \$37.69	3022215 \$27.49		3024738 \$65.29	3024738 \$65.29	N/A	8891004 \$31.69	8891006 \$35.89
SHPE4000	3016212 \$533.69	AX4411 \$8.59	1492113 \$37.69	3022215 \$27.49	3024188 \$30.99	3024738 \$65.29	3017233 \$16.59	3017233 \$16.59	8891004 \$31.69	8891006 \$35.89
SHPE6000	3016212 \$533.69	AX4411 \$8.59	1492113 \$37.69	3022215 \$27.49	3017233 \$16.59	3024738 \$65.29	3024738 \$65.29	N/A	8891004 \$31.69	8891006 \$35.89

Fax Orders: 248-442-8327

Phone Orders: 1.800.Angelo.2 (1.800.264.3562)

SALTDogg HOPPER SPREADERS



1400601SS

Large .75 HP Auger motor and .5HP Spinner Motor

12" Wide all steel pintle chain conveyor

Includes Top Screen and Inverted V

\$4299.00

1400200SS

Electric Start With In Cab Electric Throttle

12 VDC Electric clutch has a three position on-off on in cab switch

Includes Top Screen and Inverted V

\$4344.29

1400050

Electric Start With In Cab Electric Throttle

12 VDC Electric clutch has a three position on-off on in cab switch

Includes Top Screen and Inverted V

\$3659.00

1400050SS

Electric Start With In Cab Electric Throttle

12 VDC Electric clutch has a three position on-off on in cab switch

Includes Top Screen and Inverted V

\$4347.19

	1400601SS	1400200SS 1400250SS*	1400050 1400100	1400050SS 1400300SS 1400100SS* 1400350SS*
Ideal Use	Medium & Heavy-Duty Commercial	Medium & Heavy-Duty Commercial	Medium & Heavy-Duty Commercial	Medium & Heavy-Duty Commercial
Construction	Stainless Steel	Stainless Steel	Carbon Steel	Stainless Steel
Capacity	2.0 cu yd	1.5 cu yd	201 cu yd	2.0 cu yd & 2.5 cu yd
Dimensions (H X W X L)	32.1" x 47" x 110.8" (hopper length 96")	32.1" x 47" x 91.7" (hopper length 72")	32.1" x 47" x 115.7" (hopper length 96")	32.1" x 47" x 115.7" (hopper length 98.5") 32.1" x 47" x 139.7" (hopper length 120")
Weight	995 lbs	753 lbs / 764 lbs*	945 lbs/ 955 lbs *	750 lbs / 760 lbs* 910 lbs / 922 lbs*
Feed Mechanism	12" w Conveyor Chain	12" w Conveyor Chain	12" w Conveyor Chain	12" w Conveyor Chain
Auger Motor	(2) 12 VDC	10.5 hp Briggs & Stratton	10.5 hp Briggs & Stratton	10.5 hp Briggs & Stratton
Spinner	14" Poly	12" Poly	12" Poly	12" Poly
Spread Width	2-30 Ft	2-30 Ft	2-30 Ft	2-30 Ft
Chute	Adjustable	Standard & Extended	Standard & Extended	Standard & Extended
Control	In Cab Console (3016934)	In Cab Console (3010390)	In Cab Console (3010390)	In Cab Console (3010390)
Vehicle Application	3/4 and 1 ton Trucks	3/4 and 1 ton Trucks	3/4 and 1 ton Trucks	3/4 and 1 ton Trucks 10' Flatbed or Dump Truck

Truck application is only a reference. The Gross Vehicle Weight (GVW) of the truck & calculated payload must be evaluated for each application.

Accessories	Controller		Utility Light		Led Flood Light		Spreader Hold Down Strap 2" x 10'	
1400601SS	3016212	\$533.69	AX4411	\$8.59	1492113	\$37.69	1496505	\$11.99
1400200SS	3010390	\$151.49						
1400050	3010390	\$151.49	AX4411	\$8.59	1492113	\$37.69	1496505	\$11.99
1400050SS								

SALTDogg HOPPER SPREADERS



Light Bar Not Included



Part Number	Hopper Size	Dimension L x W x H	Cu Yd	Spinner	Spread Width	Engine/ Motor	Control	Weight	PRICE
1400701SS	6 FT	32.1" x 47" x 86.8"	1.5 yd	11.5" Poly	4-30 ft	10.5 HP Briggs	Variable Speed	682 lbs	\$3999.09
1400350SS	10 FT	137" X 47" X 32.5"	2.5 yd	18" Poly	2-30 ft	10.5 HP Briggs	Variable Speed	922 lbs	\$5605.79
1400475SS	8 FT	113" x 70" x 45"	3.5 yd					1470 lbs	\$5330.09
1400500SS	9 FT	125" x 70" x 45"	4 yd	18" poly	2-30 ft	10.5 HP Briggs	Variable Speed	1500 lbs	\$5769.09
1400550SS	10 FT	137" x 70" x 45"	4.5 yd					1560 lbs	\$6163.09
1400475SSH	8 FT	118.8" x 70" x 45"	3.5 yd	18" Poly	4-40 ft	Hydraulic Drive	N/A	1405 lbs	\$5272.09
1400500SSH	9 FT	125" x 70" x 45"	4 yd				N/A	1435 lbs	\$5716.09
1400550SSH	10 FT	137" x 70" x 45"	4.5 yd	18" Poly	4-40 ft	Hydraulic Drive	N/A	1500 lbs	\$5774.09
1425757SSH	10 FT	143" x 82" x 57"	7 yd	20" Poly	4-40 ft	25:1 Hydraulic Drive	N/A	2760 lbs	\$10329.69
1450757SSH		143" x 82" x 57"	7 yd			50:1 Hydraulic Drive	N/A		\$10330.09
1425863SSH	10 FT	143" x 82" x 63"	8 yd	20" Poly	4-40 ft	25:1 Hydraulic Drive	N/A	2910 lbs	\$10722.09
1450863SSH						50:1 Hydraulic Drive	N/A		
1425969SSH	10 FT	143" x 82" x 69"	9 yd	20" Poly	4-40 ft	25:1 Hydraulic Drive	N/A	3000 lbs	\$11119.09
1450969SSH						50:1 Hydraulic Drive	N/A		
1421057SSH	12 FT	162" x 82" x 57"	10 yd	20" Poly	4-40 ft	25:1 Hydraulic Drive	N/A	3084 lbs	\$11866.09
1451057SSH						50:1 Hydraulic Drive	N/A		
1421163SSH	12 FT	167" x 82" x 63"	11 yd	20" Poly	4-40 ft	25:1 Hydraulic Drive	N/A	3274 lbs	\$12432.09
1451163SSH						50:1 Hydraulic Drive	N/A		
1421369SSH	12 FT	167" x 82" x 69"	13 yd	20" Poly	4-40 ft	25:1 Hydraulic Drive	N/A	3260 lbs	\$12766.09
1451369SSH						50:1 Hydraulic Drive	N/A		
1421257SSH	14 FT	191" x 82" x 57"	12 yd	20" Poly	4-40 ft	25:1 Hydraulic Drive	N/A	3503 lbs	13548.09
1471056SSH	10 FT	157" x 87.7" x 55.25"	7 yd	18" Poly	4-45 ft	Hydraulic Drive	N/A	2665 lbs	\$10817.09
1471156SSH	11 FT	132" x 84" x 56"	8 yd			Hydraulic Drive	N/A	2855 lbs	\$11504.09
1471256SSH	12 FT	144" x 84" x 56"	9 yd	18" Poly	4-45 ft	Hydraulic Drive	N/A	3055 lbs	\$12137.09

Fax Orders: 248-442-8327

Phone Orders: 1.800.Angelo.2 (1.800.264.3562)

SALTDogg STAINLESS STEEL SPREADERS



92420A
Carbon Steel Hydraulic
Hydraulic Safety Locout System, 6" Auger w/3/8" Flighting
Compares To" Henderson TGS, Swenson SAD
\$1916.99

92420SSA
Stainless Steel Hydraulic
Hydraulic Safety Locout System, 6" Auger w/3/8" Flighting
Compares To" Henderson TGS, Swenson SAD
\$2639.09

92440SSA
Electric
Large .75 hp auger motor & .5 hp spinner motor
Standard and Center Discharge
\$4548.69

9035000
Dump Tailgate Spreader
Moutning bracket adjust from 73"-95", Independ- ent Variable Spinner & Auger Speed Control
Quick and Easy installation Fits 1 Ton/Super Duty Dump Bodies
\$3478.00

Part Number	Construc- tion	Dimension L x W x H	Feed	Spread Width	Motor	Discharge	Spinner	Weight	PRICE
92420A	Carbon Steel	98" x 19" x 17"	Auger	5-30 ft	Hyd Direct Drive	Standard	18" Poly	450 lbs	\$1916.99
92420SSA	Stainless Steel								\$2639.09
92425SSA	Stainless Steel	98" x 19" x 17"	Auger	5-30 ft	Hyd Direct Drive	Drive Side	18" Poly	450 lbs	\$2927.99
92430A	Carbon Steel					Standard			\$2293.99
92430SSA	Stainless Steel	98" x 19" x 17"	Auger	5-30 ft	Hyd Direct Drive	Standard	18" Poly	450 lbs	\$3256.79
92440SSA	Stainless Steel	99" x 27.5" x 17"	Auger	4-25 ft	12 VDC	Drive Side	14" Poly	575 lbs	\$4548.69
92441SSA	Stainless Steel					Center			\$4548.69
92421SSA	Stainless Steel	98" x 19" x 17"	Auger	5-30 ft	Hyd Direct Drive	Standard	18" Poly	450 lbs	\$3069.69
92426SSA	Stainless Steel					Drive Side			3145.09
9035000	Stainless Steel	36" H	Auger	4-25 ft	12 VDC	Center	14" Hinged	291 lbs	\$3478.00

Accessories	Controller		Utility Light		Led Flood Light		Spreader Hold Down Strap 2" x 10'	
1400601SS	3016212	\$533.69	AX4411	\$8.59	1492113	\$37.69	1496505	\$11.99
1400200SS	3010390	\$151.49						
1400050	3010390	\$151.49	AX4411	\$8.59	1492113	\$37.69	1496505	\$11.99
1400050SS								



PART NUMBER	DESCRIPTION	Price
8892200	Ultra-Thin Strobe .26in, 6 Amber LEDs, 23 Flash Patterns, 12-24V, Waterproof	\$43.19
8892201	Ultra-Thin Strobe .26in, 6 Clear LEDs, 23 Flash Patterns, 12-24V, Waterproof	
8892202	Ultra-Thin Strobe .26in, 6 Amber/Clear LEDs, 23 Flash Patterns, 12-24V, Waterproof	\$43.19
8892209	Ultra-Thin Strobe .26in, 6 Green LEDs, 23 Flash Patterns, 12-24V, Waterproof	
8892210	Ultra-Thin Strobe .26in, 6 Amber/Green LEDs, 23 Flash Patterns, 12-24V, Waterproof	\$43.19
8892225	Black Bracket for Ultra-Thin Strobe LEDs	\$10.99

Trade names, Meyer, Western, etc. used in this catalog are for reference purposes only. Angelo's Supplies, Inc. doesn't imply that the products are of these manufacturers. Prices subject to change without notice. All sales are final on electrical items. All authorized returns are subject to a 30% restocking fee. All special order items must be prepaid and sales are final. NO returns or exchanges will be permitted. NS-not shown.

DUMPERDOGG INSERTS

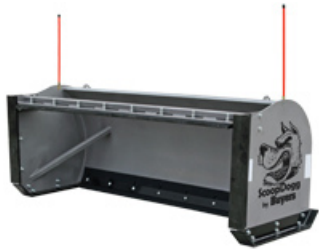


Part Number	Construction	Capacity	Description	Control	Pay Load	Dump Angle	Weight	PRICE
5531006	12 Ga Steel	1.5 Cu Yd	6 Ft Steel Dump Insert	Tethered w/10 ft Cord	6000 Lbs Max	0-45 Degree	920 lbs	\$3091.00
5531000		2.0 Cu Yd	8 Ft Steel Dump Insert				986 lbs	
5534006	304 Stainless Steel	1.5 Cu Yd	6 Ft Stainless Dump Insert	Tethered w/10 ft Cord	6000 Lbs Max	0-45 Degree	875 lbs	\$3799.00
5534000		2.0 Cu Yd	8 Ft Stainless Dump Insert				988 lbs	
5532000	Double Wall Poly	3.1 Cu Yd	8 Ft Poly Dump Insert	Tethered w/10 ft Cord	6000 Lbs Max	0-45 Degree	1115 lbs	\$3099.00

Insert Accessories		
Part Number	Description	PRICE
5531010	Steel Cab Guard	\$239.29
5531020	Steel Side Extension Bracket Kit	\$143.99
5534010	Stainless Steel Cab Guard	\$406.09
5534020	Stainless Steel Side Extension Bracket Kit	\$174.09
DTR5508	6 Ft Tarp	\$144.39
DTR5511	8 Ft Tarp	\$156.49
DTR4510	Tarp Kit For Poly Insert	\$147.69

Fits Most 8' and 6' Beds - 4-1/2" x 8" Power Up and Power Down Cylinder
 1.5Kw motor (3 HP max) for Hydraulic Pump - 2 cu yd cap.(8'); 1.5 cu yd cap.(6')
 Payload cap.: 6,000 lbs. max* - Dump Angle 0°– 45°
 12 Gauge Steel or 304 Stainless Steel
 Black Powder Coat Finish or 304 Stainless Steel
 Includes Manual Safety Bar - Tethered Control Box with 10' Cord
 Grease Fittings/Holes in Pivot Points
 Includes Body-Up Indicator Kit (SK10) and circuit breaker (CB150PB) - 20' Battery Cables
 Tailgate Chains - Black Powder Coat Structural Steel Frame
 Double Pivoting and Removable Steel Tailgate - 3/4" Diameter Tailgate Hinge Pins

SCOOPDOGG SNOW PUSHERS



Back Drag Kit



Compac



Loader



Skid-Steer

Part Number	Construction	Description	Cutting Edge	Weight	Price
9153008	Powder Coated/Steel	8 Ft Back Drag kit	Rubber	N/A	\$871.49
9153010	Powder Coated/Steel	10 Ft Back Drag Kit	Rubber	N/A	\$971.59
2602110	Powder Coated/Steel	10 Ft Backhoe	Rubber	1125 lbs	\$3091.49
2602112	Powder Coated/Steel	12 Ft Backhoe	Rubber	1450 lbs	\$3481.49
2602114	Powder Coated/Steel	14 Ft Backhoe	Rubber	1600 lbs	\$3756.99
2612112	Powder Coated/Steel	12 Ft Backhoe Trip Edge	Rubber	1550 lbs	\$5180.89
2604106	Powder Coated/Steel	6 Ft Compac	Rubber	400 lbs	\$1748.79
2604108	Powder Coated/Steel	8 Ft Compac	Rubber	500 lbs	\$1986.59
2604110	Powder Coated/Steel	10 Ft Compac	Rubber	600 lbs	\$2272.19
2601112	Powder Coated/Steel	12 Ft Loader	Rubber	2200 lbs	\$4189.09
2601114	Powder Coated/Steel	14 Ft Loader	Rubber	2400 lbs	\$4548.69
2601116	Powder Coated/Steel	16 Ft Loader	Rubber	2600 lbs	\$4941.69
2601118	Powder Coated/Steel	18 Ft Loader	Rubber	3000 lbs	\$5675.39
2601120	Powder Coated/Steel	20 Ft Loader	Rubber	3600 lbs	\$6174.19
2603108	Powder Coated/Steel	8 Ft Skid Steer	Rubber	950 lbs	\$2302.69
2603110	Powder Coated/Steel	10 Ft Skid Steer	Rubber	1125 lbs	\$2646.29
2603112	Powder Coated/Steel	STBD 12 Ft Skid Steer Trip Edge	Rubber	N/A	\$2902.99
2613108	Powder Coated/Steel	8 Ft Skid Steer Trip Edge	Rubber	1150lbs	\$3659.89
2613110	Powder Coated/Steel	10 Ft Skid Steer Trip Edge	Rubber	1325 lbs	\$3800.49
2613112	Powder Coated/Steel	12 Ft Skid Steer Trip Edge	Rubber	1450 lbs	\$4299.29
PUSHERS SHOES & HARDWARE					
9152934	Powder Coated/Steel	Shoe Compact	N/A	23.25 lbs	\$129.79
9153755	Powder Coated/Steel	Shoe Skid Steer & Backhoe	N/A	49 lbs	\$181.69
9154967	Powder Coated/Steel	Shoe Loader	N/A	102 lbs	\$329.19
9153625	Bolt Kit	For Compac Shoe	N/A	2.5 lbs	\$4.39
9156625	Bolt Kit	Skidsteer, Backhoe, Loader Shoe	N/A	4 lbs	\$5.89

Prices Subject To Change Without Notification

Trade names, Meyer, Western, etc. used in this catalog are for reference purposes only. Angelo's Supplies, Inc. doesn't imply that the products are of these manufacturers. Prices subject to change without notice. All sales are final on electrical items. All authorized returns are subject to a 30% restocking fee. All special order items must be prepaid and sales are final. NO returns or exchanges will be permitted. NS-not shown.

SCOOPDOGG PUSHERS & PARTS & WALK BEHIND SPREADERS

WALK BEHIND & ATV SPREADERS



WB101G



WB201G



WB400

WB101G & WB201G are special order not stocked in stores, ships from manufacturer



*2130 While Supplies Last

*2130



ATVS100



ATVS15A

	ATVS15A	ATVS100	*2130	WB101G	WB201G	WB400
PRICE	\$225.00	\$169.00	\$262.95	\$1191.49	\$332.09	\$448.09
Manufacturer	Buyers	Buyers	Earthway	Buyers	Buyers	Buyers
Construction	Steel/Poly	Steel/Poly	Steel/Poly	Steel/Poly	Steel/Poly	Steel/Poly
Capacity	15 Gal 120 lbs	12.5 Gal 100 lbs	65 lbs	1.5 cu ft 100 lbs	1.5 cu ft 100 lbs	2.5 cu ft 200 lbs
Material	Free Flowing	Free Flowing	Bagged Rock Salt & Ice Melt	Bagged Rock Salt	Bagged Rock Salt	Bagged Rock Salt
Spread Width	20 - 30 Ft	20 - 25 Ft	3 - 24 ft	3 - 24 ft	3 - 24 ft	28"
Control	On/Off	On/Off	Guage Lever	Guage Lever	Guage Lever	N/A
Rain Cover	N/A	Included	Optional	Included	Included	Included
Spinner	7.88" Poly	8.47" Poly	9" Poly	9" Poly	9" Poly	Drop
Size	22.25" Tall	13" Tall	23.5" x 22" x 26"	40" x 26.5" x 31.5"	40" x 26.5" x 31.5"	45" X 44" X 35"
Weight	39 lbs	19 lbs	29 lbs	42 lbs	42 lbs	112 lbs
Tire Size	N/A	N/A	13"	9" Poly	9" Poly	13"
Deflector	N/A	N/A	Optional E60184	3 Sided Standard	3 Sided Standard	N/A

	Deflector	Rain Cover
2130	E60184 \$57.95	E77003 \$21.75
WB101G	3008142 \$20.69	3007993 \$14.49
WB201G	3011733 \$27.99	3007993 \$14.49
WB400	N/A	3017047 \$ 19.19

DRIVEWAY STAKES



SNOW SHOVELS

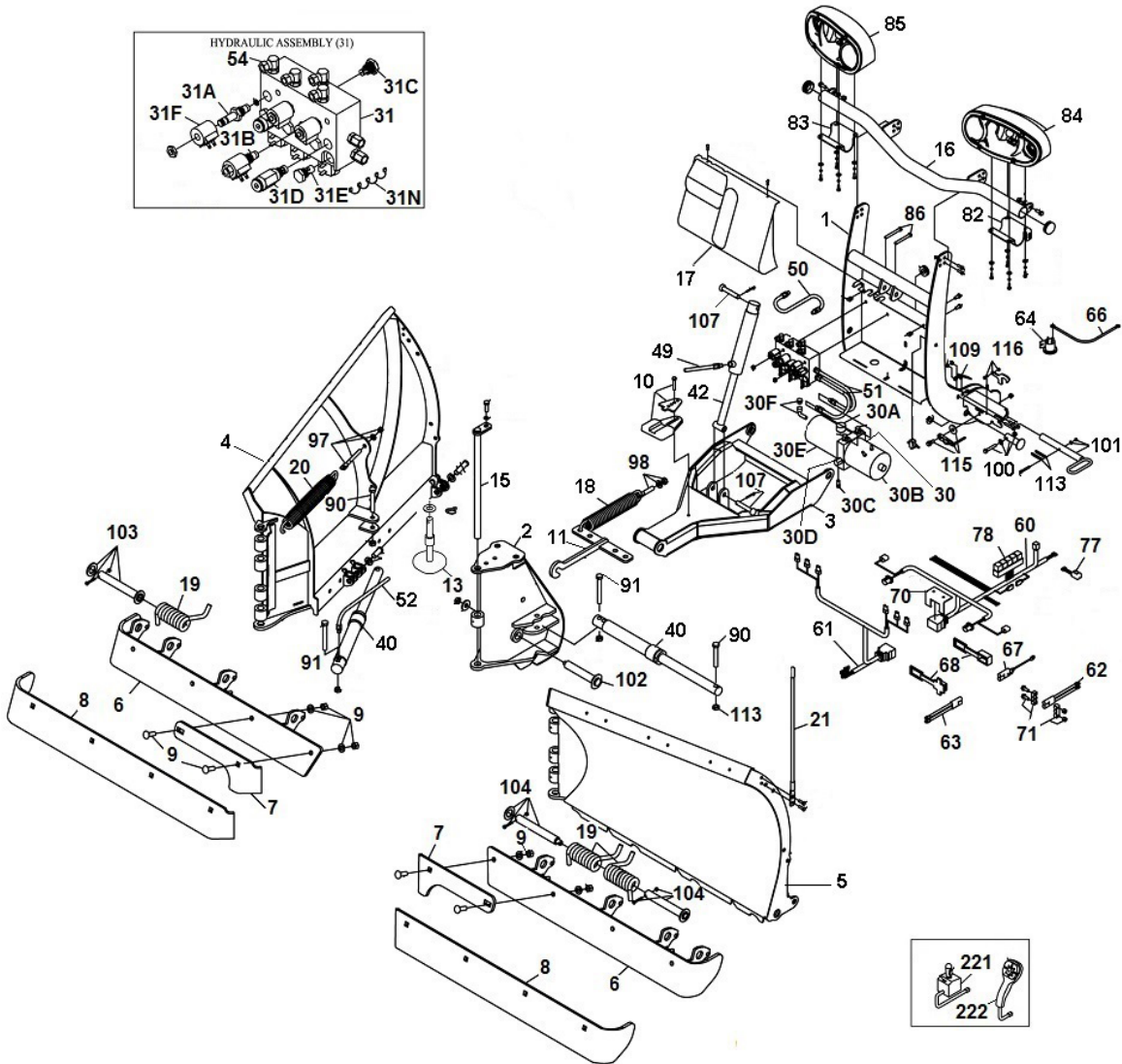
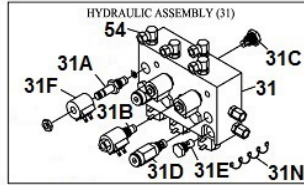


PART NUMBER	DESCRIPTION	PRICE
Z100493IND	Driveway Stake Singles 1/4" x 48" Orange	\$1.39
A36	Driveway Stake /4" x 48" Orange	\$53.99
	20-99 Bundles	\$47.29
	100 Bundles or More	\$42.79

PART NUMBER	DESCRIPTION	1-11 Pcs	12-95 Pcs	96 or More
1601900	Snow Shovel 24" Straight Handle	\$22.19	\$18.89	\$15.59
1630400	Snow Shovel 24" D-Handle	\$17.69	\$15.09	\$12.49
1602100	Snow Shovel 30" D-Handle	\$28.69	\$21.29	\$17.39
1634500	Roof Rake	\$44.99	N/A	N/A

BOSS RT3 POWER V-DXT PLOW PARTS

BOSS RT3 V-DXT SNOW PLOW PARTS



DXT

LOC NO	PART NUMBER	DESCRIPTION	PRICE
1	CPA04689	Coupler Assy w/Pins	\$498.39
1	CPA07964	Frame Assm Hd	\$907.09
2	CHA18200	Center Weldment Dxt	\$412.39
2	CHA17600	Center Section RT3 10'	\$739.69
3	TFR09708	T Frame Rt3 V Plow	\$417.49
3	PFR07678	Push Frame Assm 10'	\$962.99
4	MSC01565	Snow Deflector	\$293.69
4	1309025	Snow Deflector Rubber	\$67.89
5	BAR00498	Curb Guard Kit	\$156.59
5	BAL00898	Curb Guard Kit Ds	\$157.79
6	BAR18135	Base 8.2 V Angle Right	\$313.99
6	BAL18125	Base 8.2 V Angle Left	\$302.39

LOC NO	PART NUMBER	DESCRIPTION	PRICE
6	BAR18140	Base 9.2 V Angle Right	\$336.29
6	BAL18130	Base 9.2 V Angle Left	
6	BAR17570	Base 10' V Angle Right	\$516.29
6	BAL17560	Base 10 V Angle Left	\$587.99
7	BAR18170	Catcher PS 8.2 & 9.2	\$33.49
7	BAL18160	Catcher Dr 8.2 & 9.2 DXT	\$34.19
7	BAR17575	Snow Catcher PS	\$40.89
7	BAL17565	Snow Catcher 10 V Dxt	
8	BAR18145	Cut Edge Ps 8.2 DXT	\$251.29
8	BAL18150	Cut Edge Dr 8.2 Dxt	
8	BAR18155	Cut Edge 9.2 Formed DXT	\$292.99
8	BAL18165	Cut Edge Dr 9.2 Dxt	
8	BAR17590	Cut Edge 10 Formed DXT	\$337.49

Trade names, Meyer, Western, etc. used in this catalog are for reference purposes only. Angelo's Supplies, Inc. doesn't imply that the products are of these manufacturers. Prices subject to change without notice. All sales are final on electrical items. All authorized returns are subject to a 30% restocking fee. All special order items must be prepaid and sales are final. NO returns or exchanges will be permitted. NS-not shown.

BOSS RT3 POWER V-DXT PLOW PARTS

LOC NO	PART NUMBER	DESCRIPTION	PRICE
8	BAL17580	Edge Frmd Dr 10 V Rt3 Dx	\$337.49
9	BAX00096	Cut Edge Bolt Kit 5/8"	\$28.49
9	BAX17615	Bolt Kit 3/4 x 2-1/2	\$36.79
10	MSC04254	Bumper Stop W/hardware	\$50.49
11	MSC04200	Trip Spring RT3 Yoke	\$32.69
11	MSC17556	Yoke Trip Spring Rt3	\$22.99
13	MSC01570	Plow Shoe Assm	\$46.69
15	MSC18100	Pin Center Hinge Rt3 DX	\$79.19
15	MSC17545	Pin Center Hinge	\$211.59
16	LBA11111	Light Bar Assm Str/v	\$107.69
16	LBA11116	Lightbar 10	
17	CPA07129	Hydraulic Cover RT3	\$26.59
17	CPA07668	Hydraulic Cover RT3 10'	\$37.99
18	MSC01509	Trip Spring	\$27.29
18	MSC17569	Spring Extension DXT	\$53.19
19	BAR17551	Spring Torsion Trip	\$51.39
19	BAL17541	Sprng Torsion Trip Lh Dx	\$49.99
20	1304716	Boss V Plow Trip Spring 17 7/8	\$19.79
21	MSC01870	Blade Guide Kit	\$25.79
21	1308200	Blade Guides 24 Red Set	\$9.09
30	HYD01710	Hydraulic Power Unit OEM	\$641.79
30	HYD07695	Hydraulic Power Unit 10 Ft	\$660.89
30A	HYD01636	Filler Cap	\$15.79
30B	HYD09328	Motor Kit 12v Bu	\$244.99
30C	HYD01712	Reservoir Drain Plug	\$14.99
30D	HYD09365	Relief Valve Kit	\$12.69
30E	HYD04814	Hydraulic Reservoir	\$195.99
30E	HYD04815	Hydraulic Reservoir 3	\$244.19
30F	MSC05078	Fill Cap and Elbow	\$6.99
31	HYD01723	Hydraulic Valve Assm RT3 V hyd07092	CALL
31	HYD07044	Hydraulic Valve Assm 10'	\$1162.79
31A	HYD01637	Valve Lift & Angle	\$83.89
31B	HYD07047	Hyd Valve Smarthitch	\$75.39
31C	HYD07048	Valve	\$45.19
31D	HYD01639	Relief Valve	\$84.99
31E	HYD01640	Check Valve	\$30.09
31F	HYD01638	Coil	\$29.79
31N	MSC08850	Ground Strap	\$17.29
40	HYD09733	Angle Cylinder 1.5 X 10	\$386.09
40	HYD09734	Seal Kit Hyd09733 Smart	\$41.59
40	HYD09383	Cylinder Angle 10 Ft	\$359.69
42	HYD09430	Lift Cylinder	\$160.29
42	HYD17572	Cylinder Lift 10. 2 1	\$390.89
42	HYD07686	Seal Kit Lift Cylinder	\$67.29
49	HYD09922	Hose 1/4 X 18	\$23.39
50	HYD01695	Hose 1/4 X 15.5	\$15.59

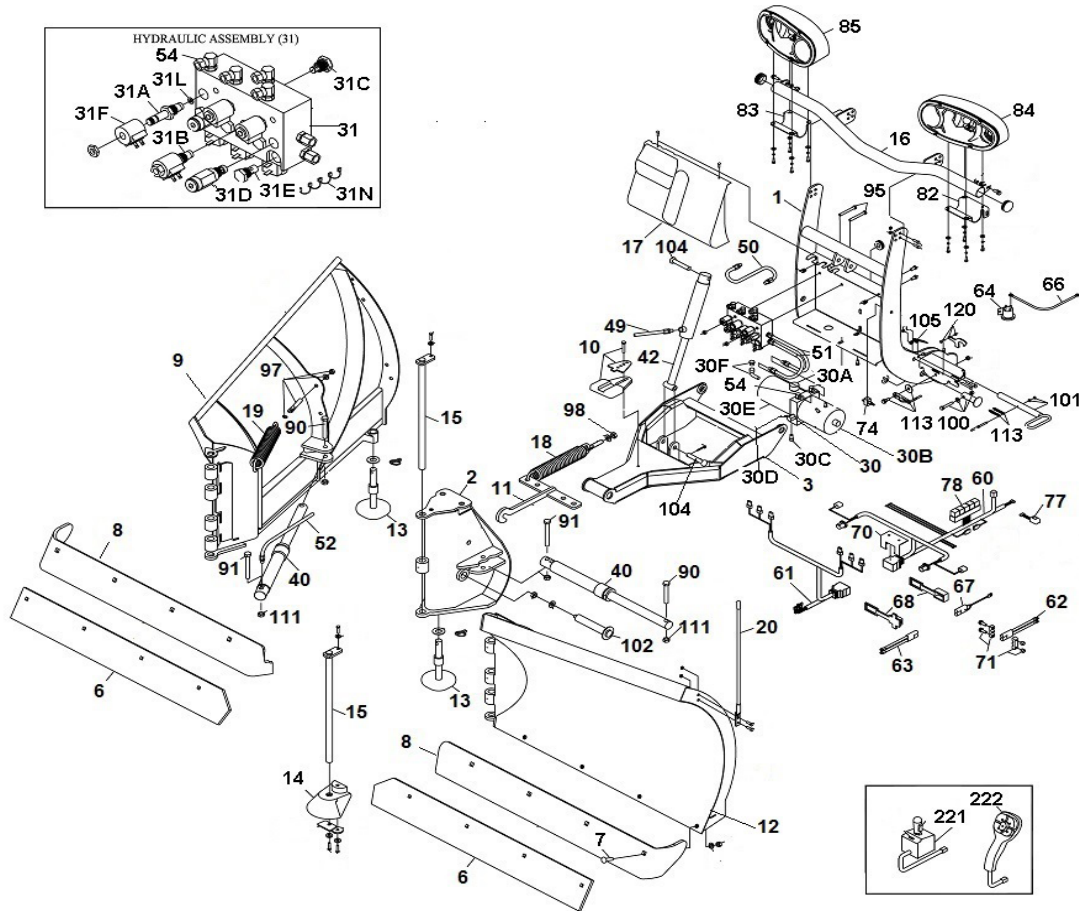
LOC NO	PART NUMBER	DESCRIPTION	PRICE
51	HYD09967	Hose 1/4 x 14	\$17.69
52	HYD07042	Hydraulic Hose 3/8 x 42	\$28.59
54	HYD07015	Hyd Swivel Fitting	\$3.99
60	MSC08001	Harness 13 Pin V/S	\$249.79
61	MSC08881	Harness Plow Side 13 Pin	\$129.09
62	HYD01684	Cable Pwr/Grd T/S	\$65.49
63	HYD01690	Power Cable P/S	\$36.79
64	HYD01633	Solenoid	\$37.39
66	MSC03414	Battery Cable 24 in	\$23.69
66	MSC03465	Battery Cable 72 in	\$60.99
67	MSC05081	Power/Ground Cover	\$14.19
68	MSC04581	Weather Cap Kit	\$19.39
70	MSC03813	Control Harness M/Brkt	\$19.99
71	MSC09097	Bracket Pwr/Grd	\$6.19
77	MSC04747	Headlight Switch	\$14.19
78	MSC04294	Headlight Relay	\$18.89
82	MSC11109	Mounting Bracket Ds	\$5.29
83	MSC11110	Mounting Bracket Ps	
84	MSC11120	Headlight Assm DS	\$235.49
85	MSC11130	Headlight Assm PS	
86	HDW05573	Bolt 3/8-16x3-1/4 Gr5 Yz	\$6.69
90	HDW01705	Bolt 5/8 x 4 1/2	\$2.69
90	HDW07703	Bolt 1x4	\$9.69
91	HDW05534	Bolt 5/8 x 5-1/2	\$3.89
97	HDW01744	Eyebolt 1/2 x 5-1/4	\$9.59
98	MSC05056	Eyebolt 5/8 x 4	\$11.79
100	MSC04251	Pivot Pin Rt3	\$17.89
100	MSC07697	Pivot Pin Kit 10 Ft	\$38.79
101	MSC04675	Coupler Spring Kit, RT3, SH2	\$36.99
101	MSC07972	Coupler Spring Kit HD,SH2, 2002+	\$54.49
102	MSC09649	Horizontal Hinge Pin	\$34.99
102	MSC09664	Pin Kit Horiz Hinge	\$51.09
103	MSC18106	Outer Trip Edge Pin	\$52.59
104	MSC18107	Pin Kit Inner Pivot Tr	\$105.69
107	MSC05674	Lift Cylinder Pin	\$8.59
109	MSC05076	Spring Torsion Kit	\$14.39
109	MSC07673	Spring Smart Hitch	\$14.49
113	HDW01709	Nut 5/8	\$8.89
115	MSC04676	Pin Release Kit Ps/Ds	\$18.69
115	MSC07974	Coupler Spring Kit DS	\$39.79
115	MSC07973	Coupler Spring Kit PS	
116	MSC04687	Latch Kit	\$7.49
116	MSC04688	Latch Kit 10Ft	\$11.99
221	MSC03809	Joystick Control V Blade	\$270.19
222	MSC09601	Control V Hand Held	\$356.19
	MSC09616	Replacement Control Pad V Plow	\$29.79

Fax Orders: 248-442-8327

Phone Orders: 1.800.Angelo.2 (1.800.264.3562)

BOSS RT3 POWER V-XT PLOW PARTS

BOSS RT3 V-XT SNOW PLOW PARTS



LOC NO	PART NUMBER	DESCRIPTION	PRICE
1	CPA04689	Coupler Assy w/Pins	\$498.39
1	CPA07964	Frame Assm Hd	\$907.09
2	CHA09716	Center Sec RT3 V, 06+	\$470.79
2	CHA01019	Center Sec RT3 V, 05-	\$504.99
2	CHA07693	Center Section 10' RT3 V	\$706.69
3	TFR09708	T Frame Rt3 V Plow	\$417.49
3	PFR07678	Push Frame Assm 10'	\$962.99
6	BAX00097	Cut Edge 7.6 V-plow	\$100.99
6	BAX00098	Cut Edge 8.2 V-plow	\$111.29
6	BAX00099	Cut Edge 9.2 V-plow	\$129.09
6	BAX07627	Cut Edge 10 Ft 5/8	\$190.09
6	Z300098	Cut Edge 8.2 Boss V-plow Set	\$105.79
6	Z300099	Cut Edge 9.2 Boss V-plow Set	\$111.59
7	BAX00096	Cut Edge Bolt Kit 5/8"	\$28.49
7	BAX0004	Boss Cut Edge 9.2 V 1/2 Bolt	\$92.89
7	1301065	Bolt Kit 12 Pcs 5/8 x 2-1/2	\$10.99
7	1301061	Bolt Kit 10-pcs 1/2 x 2	\$9.09
8	BAR08856	Formed Edge PS 7.6 V	\$235.99
8	BAR08858	Formed Edge PS 8.2 V	\$244.89
8	BAR08860	Formed Edge PS 9.2 V	\$274.09
8	BAR08862	Formed Edge PS 10 V	\$309.59
8	BAL08857	Formed Edge DS 7.6 V	\$235.99

LOC NO	PART NUMBER	DESCRIPTION	PRICE
8	BAL08859	Formed Edge DS 8.2 V	\$244.89
8	BAL08861	Formed Edge DS 9.2 V	\$274.09
8	BAL08863	Formed Edge DS 10 V	\$309.59
9	MSC01565	Snow Deflector	\$279.79
9	MSC17611	Snow Deflector10	\$348.89
9	1309025	Snow Deflector Rubber	\$67.89
10	MSC04254	Bumper Stop W/hardw	\$50.49
11	MSC04200	Trip Spring RT3 Yoke	\$32.69
11	MSC07679	Trip Spring 10 Ft Yoke	\$65.09
12	BAR00498	Curb Guard Kit	\$156.59
12	BAL00898	Curb Guard Kit Ds	\$157.09
13	1304711	Boss Outer Shoe Assembly	\$21.39
13	MSC01570	Plow Shoe Assm	\$46.69
13	1304712	Boss Plow Shoe Assm	\$21.19
14	MSC04253	Snow Catcher Kit Rt3	\$96.99
14	MSC07657	Snow Catcher Kit 10ft	\$112.59
15	MSC11050	Center Hinge Pin 08+	\$55.59
15	MSC01507	Hinge Pin Center	\$59.29
15	MSC07637	Center Hinge Pin 10ft	\$180.49
16	LBA11111	Light Bar Assm Str/v	\$107.69
16	LBA11116	Lightbar 10	
17	CPA07129	Hydraulic Cover RT3	\$26.59

Trade names, Meyer, Western, etc. used in this catalog are for reference purposes only. Angelo's Supplies, Inc. doesn't imply that the products are of these manufacturers. Prices subject to change without notice. All sales are final on electrical items. All authorized returns are subject to a 30% restocking fee. All special order items must be prepaid and sales are final. NO returns or exchanges will be permitted. NS-not shown.

BOSS RT3 POWER V-XT PLOW PARTS

LOC NO	PART NUMBER	DESCRIPTION	PRICE
17	CPA07668	Hydraulic Cover RT3 10'	\$37.99
18	1304716	Boss V Plow Trip Spring 17 7/8	\$19.79
18, 19	MSC01509	Trip Spring	\$27.29
19	1304715	Boss Trip Spring 14.5	\$14.99
20	MSC01870	Blade Guide Kit	\$25.79
20	1308200	Blade Guides 24 Red Set	\$9.09
30	HYD01710	Power Unit	\$641.79
30	HYD07695	Power Unit 10 Ft	\$660.89
30A	HYD01636	Filler Cap	\$15.79
30B	HYD09328	Motor Kit 12v Bu	\$297.59
30B	1304718	Boss Motor 4.5 in Single Post	\$93.19
30C	HYD01712	Reservoir Drain Plug	\$14.99
30D	HYD01693	Relief Valve	\$67.09
30E	HYD04814	Hydraulic Reservoir	\$195.99
30E	HYD04815	Hydraulic Reservoir 3	\$244.19
30F	MSC05078	Fill Cap and Elbow	\$6.99
31	HYD01723	Hydraulic Valve Assm RT3 V (hyd07092)	CALL
31	HYD07044	Hydraulic Valve Assm	\$1162.79
31A	HYD01637	Valve Lift & Angle	\$81.89
31B	HYD07047	Hyd Valve Smarthitch	\$75.39
31C	HYD07048	Valve	\$45.19
31D	HYD01639	Relief Valve	\$84.99
31E	HYD01640	Check Valve	\$30.09
31F	HYD01638	Coil	\$29.79
31L	HYD07108	Orifice	\$13.99
31N	MSC08850	Ground Strap	\$17.29
40	HYD09733	Angle Cylinder 1.5 X 10	\$386.09
40	HYD08842	Cylinder Seal Kit	\$37.69
40	HYD01603	Cylinder Angle V 10	\$201.69
40	HYD01659	Seal Kit For Hyd7014 160	\$36.29
40	HYD09734	Seal Kit Hyd09733 Smart	\$41.59
40	HYD07130	Angle Cylinder Smartlock	\$445.79
40	HYD07035	Angle Cyl Seal Kit	\$57.29
40	HYD09383	Cylinder Angle 10 Ft	\$359.69
40	HYD09731	Cylinder Angle	\$156.59
40	1304700	Boss Cylinder 1.5 x 10	\$78.19
42	1304701	Boss Cylinder 1-1/8 X 10	\$105.89
42	HYD07649	Lift Cylinder	\$371.69
42	HYD07686	Seal Kit Lift Cylinder	\$67.29
42	HYD09430	Lift Cylinder	\$160.29
49	HYD09922	Hose 1/4 X 18	\$23.39
49	1304729	Boss Lift Hose 1/4 X 18	\$12.89
50	1304721	Boss Hydraulic Hose 1/4 X 15.5	\$8.99
50	HYD01695	Hose 1/4 X 15.5	\$16.59
51	1304724	Boss Hydraulic Hose 1/4 X 15	\$13.39
51	HYD09967	Hose 1/4 x 14	\$17.69
52	HYD07042	Hydraulic Hose 3/8 x 42	\$28.59
52	Z100427	Boss Hose 3/8 X 41-1/2	\$13.19

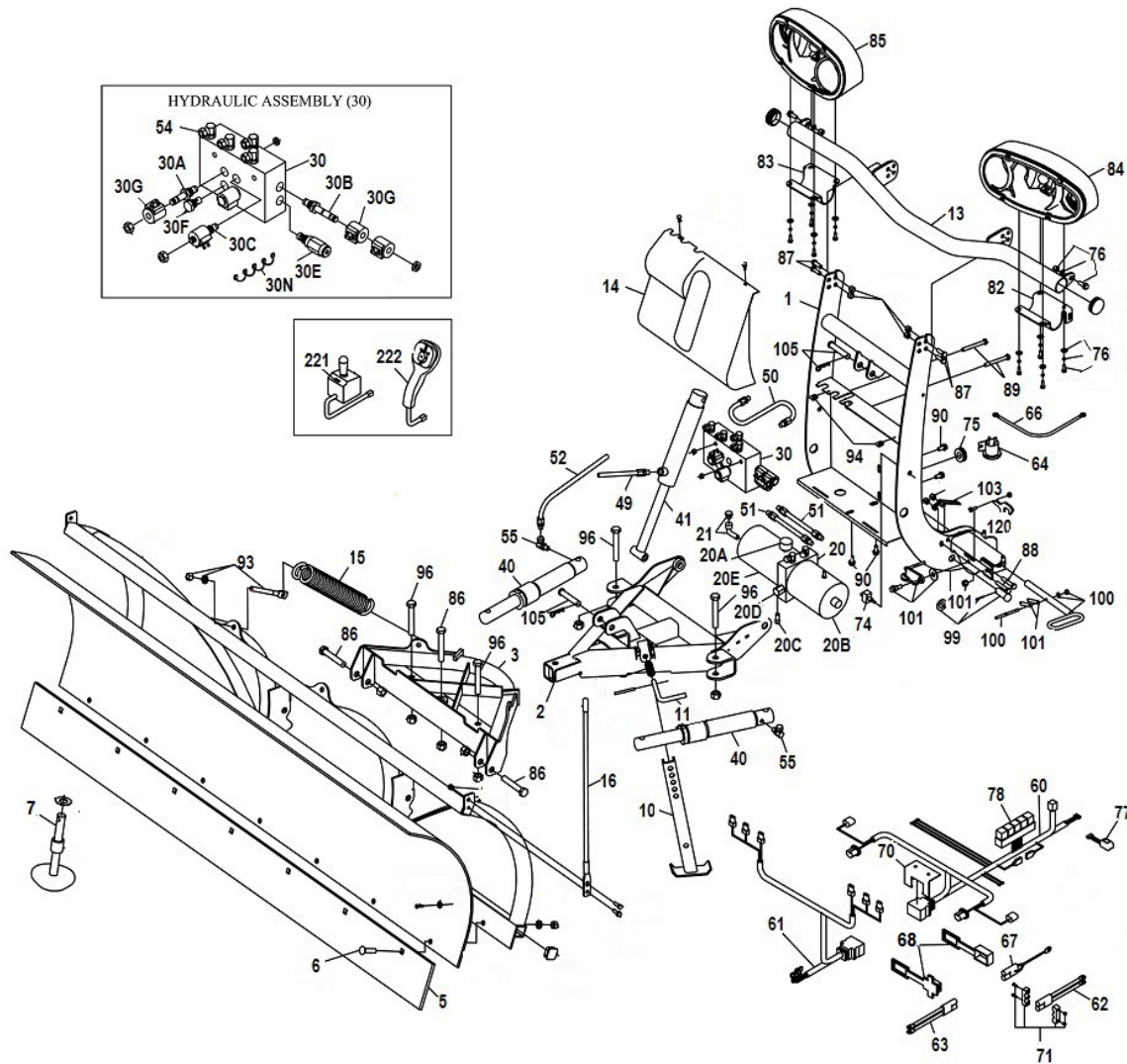
LOC NO	PART NUMBER	DESCRIPTION	PRICE
54	HYD07015	Hyd Swivel Fitting	\$3.99
60	1304745	Boss 13 Pin Repair Harness T/S	\$31.49
60	MSC08001	B-OEM Harness 13 Pin V/S	\$249.79
61	MSC08881	Harness Plow Side 13 Pin	\$129.09
61	1304744	Boss 13 Pin Repair Harness P/S	\$31.49
62	HYD01684	Cable Pwr/Grd T/S	\$65.49
63	HYD01690	Power Cable P/S	\$36.79
64	HYD01633	OEM Solenoid	\$37.39
64	1304719	Boss Solenoid	\$21.79
66	MSC03414	Battery Cable 24 in	\$23.69
66	MSC03465	Battery Cable 72 in	\$60.99
67	MSC05081	OEM Power/Ground Cover	\$14.19
68	MSC04581	Weather Cap Kit	\$19.39
70	MSC03813	Control Harness M/Brkt	\$19.99
71	MSC09097	Bracket Pwr/Grd	\$6.19
74	MSC04744	Toggle Switch Kit	\$53.29
77	MSC04747	Headlight Switch	\$14.19
78	MSC04294	Headlight Relay	\$18.89
82	MSC11109	Mounting Bracket Ds	\$5.29
83	MSC11110	Mounting Bracket Ps	\$5.29
84	MSC11101	Light Housing D/S	\$93.59
84	MSC11120	Headlight Assm DS	\$235.49
85	MSC11102	Light Housing P/S	\$93.59
85	MSC11130	Headlight Assm PS	\$235.49
90	Z101043	Bolt W/nut 5/8 x 4-1/2	\$5.39
91	Z100856	Bolt W/nut 5/8 x 5-1/2	\$1.99
91	Z101408	Bolt W/nut 1 x 4	\$9.09
95	Z100881	Bolt 3/8 X 3-1/2	\$.59
97	HDW01744	Eyebolt 1/2 x 5-1/4	\$9.59
98	MSC05056	Eyebolt 5/8 x 4	\$11.79
100	MSC04251	Pivot Pin Rt3	\$17.89
100	MSC07697	Pivot Pin Kit 10 Ft	\$38.79
101	MSC04675	Coupler Spring Kit, RT3, SH2	\$36.99
101	MSC07972	Coupler Spring Kit HD,SH2, 2002+	\$54.49
102	MSC09649	Horizontal Hinge Pin	\$34.99
104	MSC05674	Lift Cylinder Pin	\$8.59
105	MSC05076	Spring Torsion Kit	\$14.39
105	MSC07673	Spring Smart Hitch	\$14.49
111	HDW01709	Nut 5/8	\$.89
113	MSC04676	Pin Release Kit Ps/Ds	\$18.69
113	MSC07974	Coupler Spring Kit DS	\$39.79
113	MSC07973	Coupler Spring Kit PS	\$39.79
120	MSC04687	Latch Kit	\$7.49
120	MSC04688	Latch Kit 10Ft	\$11.99
221	MSC03809	Joystick Control V Blade	\$270.19
222	MSC09601	Control V Hand Held	\$356.19
222	MSC09616	Replacement Control Pad V Plow	\$29.79

Fax Orders: 248-442-8327

Phone Orders: 1.800.Angelo.2 (1.800.264.3562)

BOSS RT3 SPORT DUTY PLOW PARTS

BOSS RT3 SPORT DUTY SNOW PLOW PARTS



LOC NO	PART NUMBER	DESCRIPTION	PRICE
1	CPA09598	Frame Assm	\$480.49
2	STB09513	Push Frame Assm	\$380.69
3	STB09526	Push Frame Attachment	\$337.49
5	1304749	Boss 7 Cutting Edge	\$61.39
5	1304750	Boss Cutting Edge 7.5 x 6 x3/8	\$78.39
5	STB09544	Cutting Edge 7ft	\$103.59
5	STB03071	Cutting Edge 7.5ft	\$142.49
6	BAX00034	Bolt Kit 1/2	\$18.09
6	1301061	Bolt Kit 10-pcs 1/2 x 2	\$9.09
7	MSC09588	Plow Shoes SP/UTV	\$214.79
7	1304711	Boss Outer Shoe Assembly	\$21.39

LOC NO	PART NUMBER	DESCRIPTION	PRICE
8	MSC04587	Snow Deflector Stb7.6	N/A
8	1309025	Snow Deflector Rubber	\$67.89
10	STB09597	Kick Stand	\$31.79
11	STB09577	Kick Stand Spring Kit	\$40.19
13	LBA11111	Light Bar Assm Str/v	\$107.69
14	CPA07129	Hydraulic Cover RT3	\$26.59
15	MSC01509	Trip Spring	\$27.29
15	1304715	Boss Trip Spring 14.5	\$14.99
16	MSC01870	Blade Guide Kit	\$25.79
16	1308200	Blade Guides 24 Red Set	\$9.09
20	HYD12239	Power Unit 2qt Sport/u	\$569.99

Trade names, Meyer, Western, etc. used in this catalog are for reference purposes only. Angelo's Supplies, Inc. doesn't imply that the products are of these manufacturers. Prices subject to change without notice. All sales are final on electrical items. All authorized returns are subject to a 30% restocking fee. All special order items must be prepaid and sales are final. NO returns or exchanges will be permitted. NS-not shown.

BOSS RT3 SPORT DUTY PLOW PARTS

LOC NO	PART NUMBER	DESCRIPTION	PRICE
20A	HYD01636	Filler Cap	\$15.79
20B	Z108108	Boss Hydraulic Pump Motor	\$184.09
20B	1304718	Boss Motor 4.5 in Single Post	\$91.19
20B	HYD12245	Motor 12V Sport 2012+	\$258.19
20C	HYD01712	Reservoir Drain Plug	\$14.99
20D	HYD01693	Relief Valve	\$67.09
20E	HYD04814	Hydraulic Reservoir	\$195.99
21	MSC05078	Fill Cap and Elbow	\$6.99
30	HYD07090	Valve Assm	\$773.89
30A	HYD01637	Valve Lift & Angle	\$83.89
30B	HYD07100	Hydraulic Valve Angle	\$193.69
30C	HYD07047	Hyd Valve Smarthitch	\$75.39
30E	HYD07027	Relief Valve	\$113.49
30F	HYD01640	Check Valve	\$30.09
30G	HYD01638	Coil	\$29.79
30L	HYD07120	Orifice Plug	\$7.99
30N	MSC08851	Ground Strap	\$15.89
40	HYD09985	Cylinder Angle 1.5 x 6 OEM	\$150.69
40	HYD08842	Cylinder Seal Kit	\$37.69
41	HYD09440	Lift Cylinder Sport/UTV	\$138.69
41	HYD09441	Lift Cylinder Seal Kit	\$18.69
49	1304729	Boss Lift Hose 1/4 X 18	\$12.89
49	HYD09922	Hose 1/4 X 18	\$23.39
50	HYD01695	Hose 1/4 X 15.5	\$15.59
51	1304721	Boss Hydraulic Hose 1/4 X 15.5	\$8.99
51	1304724	Boss Hydraulic Hose 1/4 X 15	\$13.39
51	HYD09967	Hose 1/4 x 14	\$17.69
52	1304728	Boss Hose 3/8 X 34	\$15.89
52	HYD01810	Hose 3/8 x 34	\$29.39
54	HYD01620	Elbow 90 Swivel	\$6.99
54	1304737	Boss Swivel Elbow	\$4.19
55	1304738	Boss 90 Degree Elbow	\$3.09
55	HYD07018	90 Degree Elbow	\$8.39
55	HYD07078	Fitting Breather Vent	\$6.29
60	MSC04316	Harness 13 Pin V/S	\$234.39
60	MSC04753	Repair End 13 Pin V/S	\$57.39
60	1304745	Boss 13 Pin Repair Harness T/S	\$31.49
60	MSC08001	Harness 13 Pin V/S	\$249.79
61	MSC04754	Repair End 13 Pin P/S	\$57.39
61	1304744	Boss 13 Pin Repair Harness P/S	\$31.49
61	MSC08881	Harness Plow Side 13 Pin	\$129.09
62	HYD01684	Cable Pwr/Grd T/S	\$65.49
62	1304740	Boss Cable Power/Ground T/S	\$40.49

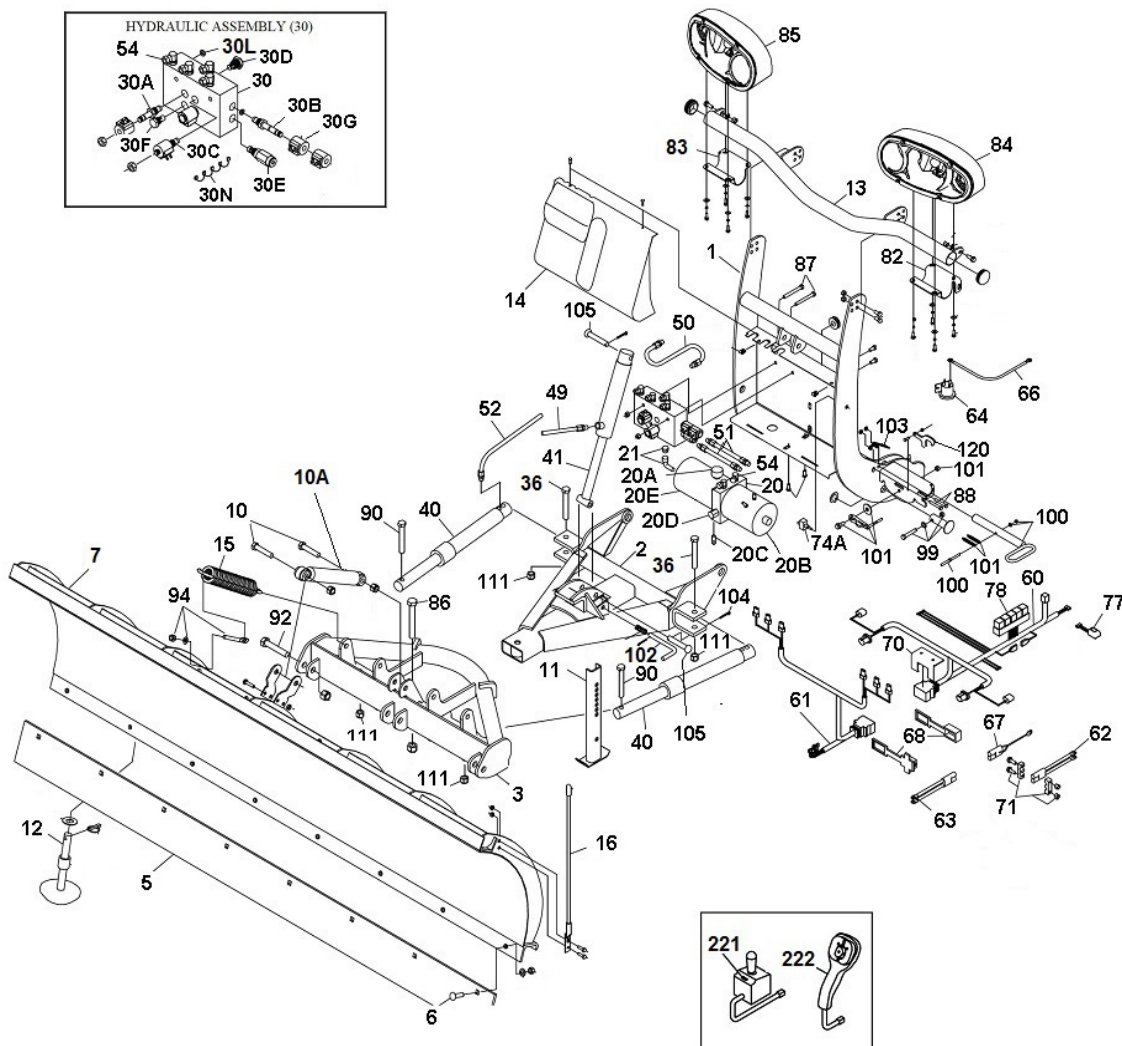
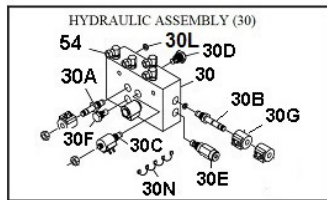
LOC NO	PART NUMBER	DESCRIPTION	PRICE
63	HYD01690	Power Cable P/S	\$36.79
63	1304741	Boss Power/Ground Cable P/S	\$21.79
64	HYD01633	Solenoid	\$37.39
64	1304719	Boss Solenoid	\$21.79
66	MSC03414	Battery Cable 24 in	\$23.69
66	MSC03465	Battery Cable 72 in	\$60.99
67	MSC05081	Power/Ground Cover	\$14.19
68	MSC04581	Weather Cap Kit	\$19.39
70	MSC03813	Control Harness M/Brkt	\$19.19
71	MSC09097	Bracket Pwr/Grd	\$6.19
74	MSC04744	Toggle Switch Kit	\$53.29
75	MSC03456	Rubber Grommet 1-1/8	\$1.59
76	HDW11114	Headlight Fastener Kit 2008+	\$6.29
77	MSC04747	Headlight Switch	\$14.19
78	MSC04294	Headlight Relay	\$18.39
82	MSC11109	Mounting Bracket Ds	\$5.29
83	MSC11110	Mounting Bracket Ps	
84	MSC11120	Headlight Assm DS	\$235.49
84	MSC11101	Light Housing D/S	\$93.59
85	MSC11130	Headlight Assm PS	\$235.49
85	MSC11102	Light Housing P/S	\$93.59
86	Z100854	Bolt W/nut 5/8 X 4	\$3.59
87	HDW01771	Bolt 3/8 x 1-1/4 Gr5	\$6.99
88	HDW05521	Screw 3/8 x 2-1/4	\$4.49
89	Z100881	Bolt 3/8 X 3-1/2	\$5.59
90	HDW05602	Bolt 3/8 x 3/4 Gr5	\$6.99
93	HDW01744	Eyebolt 1/2 x 5-1/4	\$9.59
94	MSC05077	Housing Screw Kit (4)	\$4.69
96	Z100851	Bolt W/nut 5/8 X 3-1/2	\$3.79
96	HDW01707	Bolt 5/8 x 3 1/2	\$2.39
99	MSC09586	Coupler Pivot Pin Kit	\$19.09
100	MSC09587	Coupler Spring Pin	\$59.99
101	MSC04676	Pin Release Kit Ps/Ds	\$18.69
103	MSC05076	Spring Torsion Kit	\$14.39
105	MSC05674	Lift Cylinder Pin	\$8.59
120	MSC04687	Latch Kit	\$7.49
221	STB03191	Joystick Control	\$262.99
222	STB09602	Controller Hand Held	\$344.19
	STB09617	Replacement Control Pad	\$28.29
222	1306903	Boss Controller Hand Held	\$178.99
NS	MSC11106	Bulb Hir2 Low Beam Headlight	\$46.69
	MSC11107	Bulb H9 High Beam Headlight	\$20.99

Fax Orders: 248-442-8327

Phone Orders: 1.800.Angelo.2 (1.800.264.3562)

BOSS RT3 STRAIGHT BLADE PLOW PARTS

BOSS RT3 STRAIGHT BLADE SNOW PLOW PARTS



Standard Straight Blade

Parts List Continued On Next Page

LOC NO	PART NUMBER	DESCRIPTION	PRICE
1	CPA04689	Coupler Assy w/Pins	\$498.39
1	CPA07964	Frame Assm Hd	\$907.09
2	STB04190	Pushframe Rt3 Assm	\$317.19
2	TFR07554	Pushframe Assm Rt3 St	\$756.19
3	STB04180	Pushframe Attach Bar	\$323.59
3	STB07547	Pushframe Attach Bar	\$1110.19
4	Z100881	Bolt 3/8 X 3-1/2	\$.59
5	STB03071	Cutting Edge 7.5ft	\$142.49
5	STB3002	Boss Cut Edge 7.5 X 6 X 1/2	\$99.19
5	STB3072	Boss Cut Edge 8.5 X 6 X 1/2	\$112.39
5	STB7537	Boss Cut Edge 10 X 6 X 1/2	\$122.09
5	STB00317	Cut Edge 8ft Xt	\$586.19
5	STB00318	Cut Edge 8.5ft Xt	\$626.79
5	STB3242	Boss Cut Edge 9 X 6 X 1/2	\$115.99

LOC NO	PART NUMBER	DESCRIPTION	PRICE
5	1304755	Boss Cut Edge 10 X 6 X 1/2	\$126.69
5	STB03002	Cut Edge 7.5 Ft	\$189.19
5	STB03003	Cut Edge 8 ft	\$203.89
5	STB03072	Cut Edge 8.5 Ft	\$217.09
6	BAX00034	Bolt Kit 1/2	\$16.29
6	BAX96	Bolt Kit 5/8	\$52.39
6	1301065	Bolt Kit 12 Pcs 5/8 x 2-1/2	\$10.99
6	1301061	Bolt Kit 10-pcs 1/2 x 2	\$9.09
7	MSC01565	Snow Deflector	\$279.79
7	1309025	Snow Deflector Rubber	\$67.89
10	STB04816	Shock Absorber Kit	\$90.59
10A	MSC01517	Shock Absorber	\$70.59
11	1304710	Boss Kick Stand	\$19.79

Trade names, Meyer, Western, etc. used in this catalog are for reference purposes only. Angelo's Supplies, Inc. doesn't imply that the products are of these manufacturers. Prices subject to change without notice. All sales are final on electrical items. All authorized returns are subject to a 30% restocking fee. All special order items must be prepaid and sales are final. NO returns or exchanges will be permitted. NS-not shown.

BOSS RT3 STRAIGHT BLADE PLOW PARTS

LOC NO	PART NUMBER	DESCRIPTION	PRICE
11	STB03220	Kick Stand	\$33.19
12	1304713	Boss Shoe Assm Trip Edge	\$28.99
12	1304712	Boss Plow Shoe Assm	\$21.19
12	MSC01570	Plow Shoe Assm	\$46.69
13	LBA11111	Light Bar Assembly 08+	\$107.69
13	LBA11116	Light Bar Assembly HD 08+	
14	CPA07129	Hydraulic Cover RT3	\$26.59
14	CPA07668	Hydraulic Cover RT3 10'	\$37.99
15	1304715	Boss Trip Spring 14.5	\$14.99
15	MSC01509	Trip Spring	\$27.29
16	MSC01870	Blade Guide Kit	\$25.79
16	1308200	Blade Guides 24 Red Set	\$9.09
20	HYD01710	Power Unit	\$641.79
20	HYD07695	Power Unit 10 Ft	\$660.89
20A	HYD01636	Filler Cap	\$15.79
20B	1304718	Boss Motor 4.5 in Single Post	\$91.19
20B	HYD09328	Motor Kit 12v Bu	\$297.59
20D	HYD01693	Relief Valve	\$67.09
20E	HYD04814	Hydraulic Reservoir	\$195.99
20E	HYD04815	Hydraulic Reservoir 3	\$244.19
21	MSC05078	Fill Cap and Elbow	\$6.99
30	HYD07091	Hyd Valve Assm Sh	\$877.29
30A	HYD01637	Valve Lift & Angle	\$83.89
30B	HYD07100	Hydraulic Valve Angle	\$193.69
30C	HYD07047	Hyd Valve Smarthitch	\$75.39
30D	HYD07048	Valve	\$45.19
30E	HYD07027	Relief Valve	\$113.49
30F	HYD01640	Check Valve	\$30.09
30G	HYD01638	Coil	\$29.79
30L	HYD07120	Orifice Plug	\$7.99
30N	MSC08851	Ground Strap	\$15.89
35	HYD01712	Reservoir Drain Plug	\$14.99
36	Z100854	Bolt W/nut 5/8 X 4	\$3.59
37	MSC03807	Kick Stand Spring Kit	\$21.99
40	HYD09731	Cylinder Angle	\$156.59
40	1304704	Boss Cylinder 1-1/2 X 10	\$69.69
41	1304701	Boss Cylinder 1-1/8 X 10	\$105.89
41	HYD09430	Lift Cylinder	\$160.29
41	HYD07649	Lift Cylinder	\$371.69
49	1304729	Boss Lift Hose 1/4 X 18	\$12.89
50	1304721	Boss Hydraulic Hose 1/4 X 15.5	\$8.99
51	1304724	Boss Hydraulic Hose 1/4 X 15	\$13.39
52	1304728	Boss Hose 3/8 X 34	\$15.89
52	Z100427	Boss Hose 3/8 X 41-1/2	\$13.19
54	HYD01620	Elbow 90 Swivel	\$6.99
54	1304737	Boss Swivel Elbow	\$4.19
60	1304745	Boss 13 Pin Repair Harness T/S	\$31.49
60	MSC04316	Harness 13 Pin V/S	\$234.39

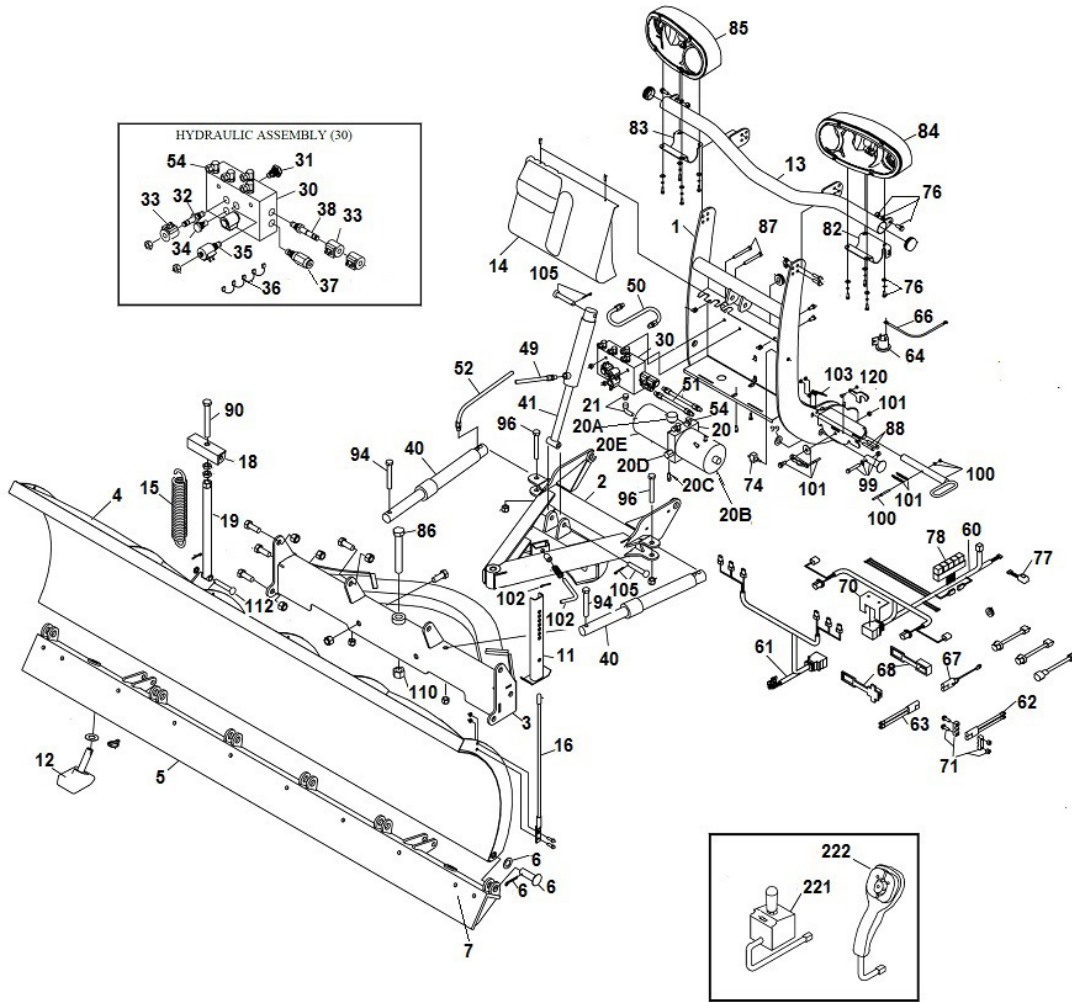
LOC NO	PART NUMBER	DESCRIPTION	PRICE
61	MSC08881	Harness Plow Side 13 Pin	\$129.09
61	1304744	Boss 13 Pin Repair Harness P/S	\$31.49
62	HYD01684	Cable Pwr/Grd T/S	\$65.49
62	1304740	Boss Cable Power/Ground T/S	\$40.49
63	HYD01690	Power Cable P/S	\$36.79
63	1304741	Boss Power/Ground Cable P/S	\$21.79
64	HYD01633	Solenoid	\$37.39
64	1304719	Boss Solenoid	\$21.79
66	MSC03414	Battery Cable 24 in	\$23.69
66	MSC03465	Battery Cable 72 in	\$60.99
67	MSC05081	Power/Ground Cover	\$14.19
68	MSC04581	Weather Cap Kit	\$19.39
70	MSC03813	Control Harness M/Brkt	\$19.19
71	MSC09097	Bracket Pwr/Grd	\$6.19
74A	MSC04744	Toggle Switch Kit	\$53.29
77	MSC04747	Headlight Switch	\$14.19
78	MSC04294	Headlight Relay	\$18.39
82	MSC11109	Mounting Bracket Ds	\$5.29
83	MSC11110	Mounting Bracket Ps	
84	MSC11120	Headlight Assm DS	\$235.49
85	MSC11130	Headlight Assm PS	
86	Z109324	Bolt W/nut 3/4 X 5-1/2	\$5.59
87	HDW05573	Bolt 3/8 x 3-1/4 GR5	\$6.69
88	Z101394	Bolt W/nut 3/8 X 2-1/2	\$1.59
90	HDW01706	Bolt 5/8-11 x 4 GR5	\$2.19
92	Z101407	Bolt W/nut 3/4 X 4	\$4.59
94	HDW01744	B-Eyebolt 1/2 x 5-1/4	\$9.59
94	1304777	Eyebolt W/Nuts 1/2 x 5-1/2"	\$3.39
99	MSC04251	Pivot Pin Rt3	\$17.89
99	MSC07697	Pivot Pin Kit 10 Ft	\$38.79
100	MSC04675	Coupler Spring Kit, RT3, SH2	\$36.99
100	MSC07972	Coupler Spring Kit HD,SH2, 2002+	\$54.49
101	MSC04676	Pin Release Kit Ps/Ds	\$18.69
101	MSC07974	Coupler Spring Kit DS	\$39.79
101	MSC07973	Coupler Spring Kit PS	
102	MSC03807	Kickstand Spring Pin Kit RT3	\$21.99
103	MSC05076	Spring Torsion Kit	\$14.39
104	HDW05544	Hairpin Cotter	\$3.39
105	MSC05674	Lift Cylinder Pin	\$8.59
105	1302220	Pin 3/4 X 4	\$2.59
111	HDW01709	Nut 5/8 GR8	\$8.89
120	MSC04687	Latch Kit	\$7.49
120	MSC04688	Latch Kit 10Ft	\$11.99
221	STB03191	Joystick Control	\$262.99
222	STB09602	Controller Hand Held	\$344.19
	STB09617	Replacement Control Pad	\$28.29
222	1306903	Boss Controller Hand Held	\$178.99

Fax Orders: 248-442-8327

Phone Orders: 1.800.Angelo.2 (1.800.264.3562)

BOSS RT3 TRIP EDGE PLOW PARTS

BOSS RT3 TRIP EDGE SNOW PLOW PARTS



Trip Edge

LOC NO	PART NUMBER	DESCRIPTION	PRICE
1	CPA04689	Coupler Assy w/Pins	\$498.39
2	TRP07803	Pushframe Assm	\$422.59
3	TRP07810	Pushframe Attach Bar	\$758.59
4	TRP07870	Blade Trip Edge 7.6	\$1916.49
4	TRP07800	Blade Trip Edge 8	\$2072.69
4	TRP07899	Blade Trip Edge 9	\$2526.09
5	TRP07862	Base Angle SDTE 7.6 Ft	\$659.79
5	TRP07811	Base Angle 8 Ft	\$662.29

LOC NO	PART NUMBER	DESCRIPTION	PRICE
5	TRP07884	Base Angle 9 Ft	\$775.29
6	TRP07879	Base Angle Pivot Pins	\$55.79
7	STB03002	Cut Edge 7.5 Ft	\$183.69
7	STB03003	Cut Edge 8 ft	\$197.99
7	STB03242	Cut Edge 9'	\$219.89
8	MSC01565	Snow Deflector	\$305.59
8	1309025	Snow Deflector Rubber	\$67.89
8	BAX00034	Bolt Kit 1/2	\$18.09

Parts List Continued On Next Page

BOSS RT3 TRIP EDGE PLOW PARTS

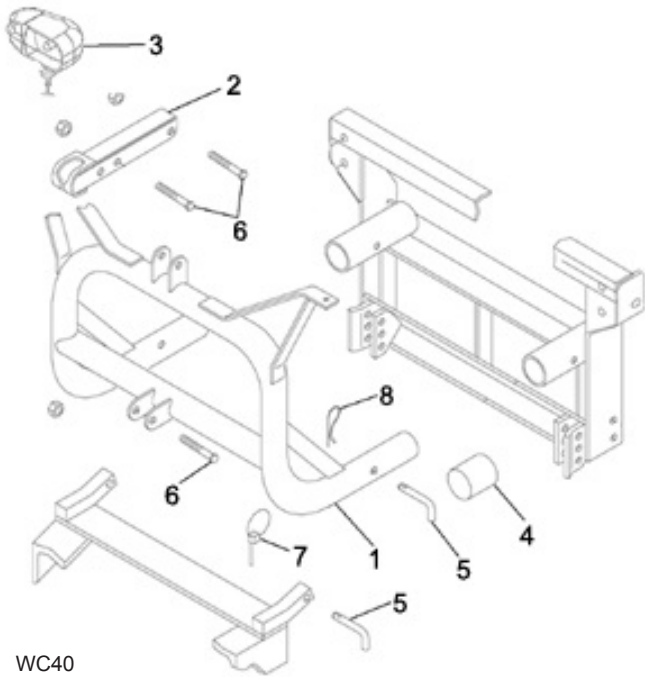
LOC NO	PART NUMBER	DESCRIPTION	PRICE
8	1301061	Bolt Kit 10-pcs 1/2 x 2	\$9.09
11	STB03220	Kick Stand	\$33.19
11	1304710	Boss Kick Stand	\$19.79
12	TRP07880	Plow Shoe	\$49.49
13	LBA11111	Light Bar Assm Str/v	\$107.69
14	CPA07129	Hydraulic Cover RT3	\$26.59
15	1304715	Boss Trip Spring 14.5	\$14.99
15	MSC01509	Trip Spring	\$27.29
16	1308200	Blade Guides 24 Red Set	\$9.09
16	MSC01870	Blade Guide Kit	\$25.79
18	TRP07804	Upper T Lever Assm	\$31.89
18	TRP08254	T Lever Upper	\$20.29
19	TRP07807	Lower T Lever Assm	\$73.59
20	HYD01710	Power Unit	\$641.79
20A	HYD01636	Filler Cap	\$15.79
20B	HYD09328	Motor Kit 12v Bu	\$297.59
20C	HYD01712	Reservoir Drain Plug	\$14.99
20D	HYD09365	Relief Valve Kit	\$12.69
20E	HYD04814	Hydraulic Reservoir	\$195.99
21	MSC05078	Fill Cap and Elbow	\$6.99
30	HYD07091	Hyd Valve Assm Sh	\$877.29
31	HYD07048	Valve	\$45.19
32	HYD01637	Valve Lift & Angle	\$83.89
33	HYD01638	Coil	\$29.79
34	HYD01640	Check Valve	\$30.09
35	HYD07047	Hyd Valve Smarthitch	\$75.39
36	MSC08851	Ground Strap	\$15.89
37	HYD07027	Relief Valve	\$113.49
38	HYD07100	Hydraulic Valve Angle	\$193.69
40	HYD09731	Cylinder Angle	\$156.59
40	HYD08842	Cylinder Seal Kit	\$37.69
41	HYD09430	Lift Cylinder	\$160.29
41	HYD09431	Lift Cylinder Seal Kit	\$18.69
49	1304729	Boss Lift Hose 1/4 X 18	\$12.89
49	HYD09922	Hose 1/4 X 18	\$23.39
50	HYD01695	Hose 1/4 X 15.5	\$16.59
51	HYD09967	Hose 1/4 x 14	\$17.69
51	1304721	Boss Hydraulic Hose 1/4 X 15.5	\$8.99
51	1304724	Boss Hydraulic Hose 1/4 X 15	\$13.39
52	HYD01810	Hose 3/8 x 34	\$29.39
52	1304728	Boss Hose 3/8 X 34	\$15.89
54	HYD07015	Hyd Swivel Fitting	\$3.99
60	MSC08001	Harness 13 Pin V/S	\$249.79
60	MSC04753	Repair End 13 Pin V/S	\$52.39
60	1304745	Boss 13 Pin Repair Harness T/S	\$31.49
61	MSC08881	Harness Plow Side 13 Pin	\$129.09
61	1304744	Boss 13 Pin Repair Harness P/S	\$31.49

LOC NO	PART NUMBER	DESCRIPTION	PRICE
61	MSC04754	Repair End 13 Pin P/S	\$57.39
62	HYD01684	Cable Pwr/Grd T/S	\$65.49
62	1304740	Boss Cable Power/Ground T/S	\$40.49
63	1304741	Boss Power/Ground Cable P/S	\$21.79
63	HYD01690	Power Cable P/S	\$36.79
64	HYD01633	Solenoid	\$36.29
64	1304719	Boss Solenoid	\$21.79
66	MSC03414	Battery Cable 24 in	\$23.69
66	MSC03465	Battery Cable 72 in	\$60.99
67	MSC05081	Power/Ground Cover	\$14.19
68	MSC04581	Weather Cap Kit	\$19.39
70	MSC03813	Control Harness M/Brkt	\$19.99
71	MSC09097	Bracket Pwr/Grd	\$6.19
74	MSC04744	Toggle Switch Kit	\$53.29
76	HDW11114	Headlight Fastener Kt	\$6.29
77	MSC04747	Headlight Switch	\$14.19
78	MSC04294	Headlight Relay	\$18.39
82	MSC11109	Mounting Bracket Ds	\$5.29
83	MSC11110	Mounting Bracket Ps	\$5.29
84	MSC11120	Headlight Assm DS	\$235.49
84	MSC11101	Light Housing D/S	\$93.59
85	MSC11130	Headlight Assm PS	\$235.49
85	MSC11102	Light Housing P/S	\$93.59
86	HDW07735	Bolt 1 x 7	\$8.79
87	Z100881	Bolt 3/8 X 3-1/2	\$5.59
87	HDW05573	Bolt 3/8-16x3-1/4 Gr5 Yz	\$6.69
88	HDW05521	Screw 3/8"-16x2 1/4"	\$4.49
90	Z109345	Bolt W/nuts 3/4 X 6	\$5.95
90	HDW05616	Bolt 3/4-10x6 Full Thrd	\$5.79
94	Z100854	Bolt W/nut 5/8 X 4	\$3.59
94	HDW01706	Bolt 5/8 x 4	\$2.19
96	HDW01707	Bolt 5/8 x 3 1/2	\$2.39
99	MSC04251	Pivot Pin Rt3	\$17.89
100	MSC04675	Coupler Spring Kit, RT3, SH2	\$36.99
101	MSC04676	Pin Release Kit Ps/Ds	\$18.69
102	TRP07881	Kick Stand Spring Pin	\$20.49
103	MSC05076	Spring Torsion Kit	\$14.39
105	MSC05674	Lift Cylinder Pin	\$8.59
110	HDW07704	Nut 1-8	\$4.49
112	TRP07876	T Lever Pivot Pin Kit	\$6.39
120	MSC04687	Latch Kit	\$7.49
221	STB03191	Joystick Control	\$262.99
222	STB09602	Controller Hand Held	\$344.19
222	STB09617	OEM Replacement Control Pad STR	\$28.29
222	1306903	Boss Controller Hand Held	\$178.99
NS	STB03395	Curb Guard Kit Dr Side S	\$148.19
NS	STB03394	Curb Guard Kit Ps Side S	\$148.19

Fax Orders: 248-442-8327

Phone Orders: 1.800.Angelo.2 (1.800.264.3562)

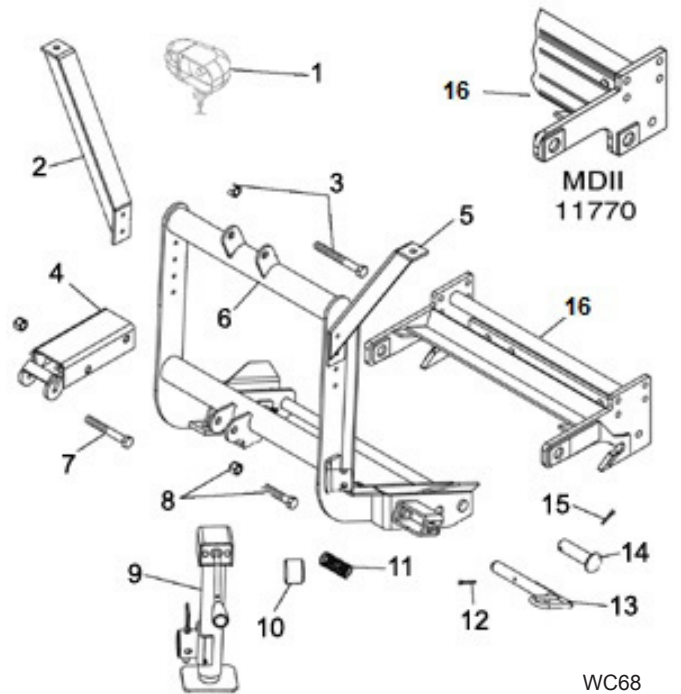
MEYER CLASSIC LIFT FRAME PARTS



LOC NO	PART NUMBER	DESCRIPTION	PRICE
1	M11255	Lift Frame Classic OEM	\$673.99
2	1304000	Lift Arm Classic Meyer	\$35.29
2	M10514	Lift Arm Classic OEM	\$54.99
3	M07550	Saber II Light Kit OEM	\$362.19
4	M11544	Tube Cap OEM	\$3.49
5	1302045	Hitch Pin Meyer	\$4.49
5	M08562	Hitch Pin OEM Meyer	\$13.99
6	1302020	Bolt W/nut 5/8 X 3	\$2.79
6	M09122	Bolt W/nut 5/8 X 3	\$6.19
7	1303033	Quick Pin 1/4 Round	\$.89
8	Z100988	Hair Pin 3/16	\$.59
8	1302252	Hair Pin New Style 3/16	\$.99
8	M21984	Hair Pin 3/16 OEM Set	\$3.49

MEYER PLUS MOUNT LIFT FRAME PARTS

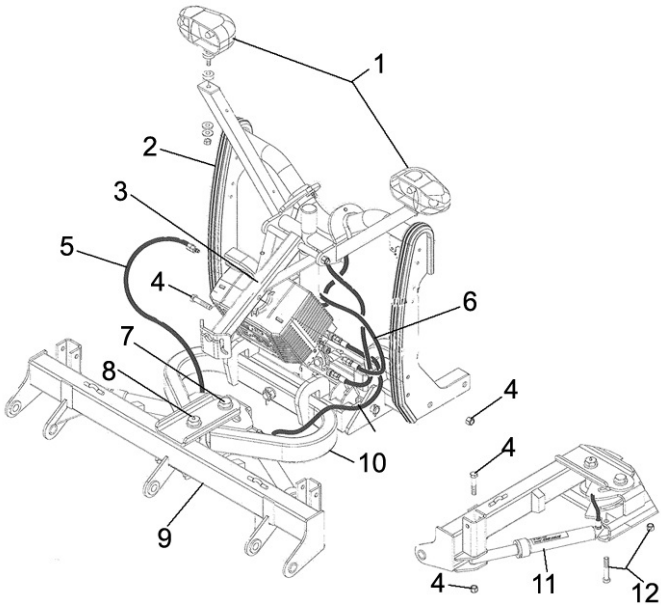
LOC NO	PART NUMBER	DESCRIPTION	PRICE
1	M07550	Saber II Light Kit OEM	\$362.19
2	M11752	Light Bracket Passenger Side	\$56.79
3	Z100856	Bolt W/nut 5/8 x 5-1/2	\$1.99
3	M20153	Bolt OEM 5/8 X 5-1/2	\$2.59
4	M19592	Lift Arm Ez Mount Plus OEM	\$150.09
5	M11751	Light Bracket Drivers Side OEM	\$56.79
6	M19365	Lift Frame Ez Mount OEM	\$577.29
7	Z101181	Bolt W/nut 5/8 X 5	\$8.69
7	M20152	Bolt OEM 5/8 X 5	\$8.79
8	1302020	Bolt W/nut 5/8 X 3	\$2.79
8	M09122	Bolt W/nut 5/8 X 3	\$6.19
9	M22245	Crank Stand OEM	\$77.69
10	M11844	Tube Cap OEM Meyer	\$2.59
11	1302340	Spring For Meyer & Fisher Pin	\$0.89
11	M81400	Spring OEM Meyer	\$2.59
12	Z100861	Cotter Pin 1/8 X 1-1/2	\$.59
12	M20406	Cotter Pin OEM 3/16 X 1-1/2	\$2.59
13	1302047	Pin Blue Handle	\$14.19
13	1302049	Pin Yellow Handle	
13	M11859	Blue Handle Pin OEM	\$20.99
13	M11860	OEM Pin Yellow Handle	
14	Z100911	Pin 1 X 3 w/Cotter Pin	\$3.79
14	M22436	Pin OEM 1 X 3	\$17.49
15	Z100862	Cotter Pin 1/4 X 2-1/2	\$.59



LOC NO	PART NUMBER	DESCRIPTION	PRICE
15	Z100862	Cotter Pin OEM 1/4 X 2-1/2	\$.59
16	M19370	OEM Clevis Ez Mount Plus	\$301.99
16	M11770	OEM Universal Clevis Mdii	\$393.59

Trade names, Meyer, Western, etc. used in this catalog are for reference purposes only. Angelo's Supplies, Inc. doesn't imply that the products are of these manufacturers. Prices subject to change without notice. All sales are final on electrical items. All authorized returns are subject to a 30% restocking fee. All special order items must be prepaid and sales are final. NO returns or exchanges will be permitted. NS-not shown.

MEYER EXPRESS MOUNT LIFT FRAME PARTS



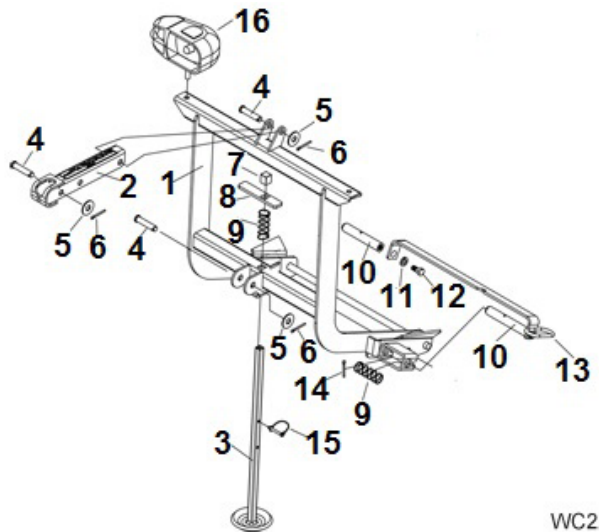
WC51

LOC NO	PART NUMBER	DESCRIPTION	PRICE
1	M07550	Saber II Light Kit OEM	\$362.19
2	M19170	Lift Frame Ez Xpress Brush Grd	\$478.39
3	M19190	Lift Arm OEM Xpress	\$141.39
4	1302020	Bolt W/nut 5/8 X 3	\$2.79
4	M09122	Bolt W/nut 5/8 X 3	\$6.19
5	1304042	Hose Hydraulic 1/4 X 39	\$21.09
5	M22396	Hose Hydraulic 1/4 X 39 OEM	\$51.89
6	1304041	Hose Meyer 1/4 X 33	\$20.19
6	M22395	Hose OEM Meyer 1/4 X 33	\$45.49
7	M22273	Pivot Bolt OEM	\$44.59
8	M22272	Bolt Greasable Bolt OEM	\$61.99
9	M12360	Pivot Bar Xpress OEM	\$827.29
10	M13735	Push Frame Xpress OEM	\$549.79
11	M07299	Angle Cylinder 1.5 x 10 Lh OEM	\$222.59
11	M07298	Angle Cylinder 1.5 x 10 Rh OEM	
12	Z100854	Bolt W/nut 5/8 X 4	\$3.59
12	M20148	Bolt OEM 5/8 X 3-3/4	\$5.79

Fax Orders: 248-442-8327

MEYER DRIVE PRO LIFT FRAME PARTS

LOC NO	PART NUMBER	DESCRIPTION	PRICE
1	M19421	Lift Frame Drive Pro OEM	\$522.19
2	1304000	Lift Arm Classic Meyer	\$35.29
2	M10514	Lift Arm Classic OEM	\$54.99
3	M19709	Jack Stand OEM	N/A
4	M22719	Pivot Pin 5/8" X 3"	\$2.59
5	M20357	Flat Washer OEM 5/8	
6	M20385	Cotter Pin OEM 1/8 X 1-1/4	\$2.59
7	M07354	Cap Plug 3/4 OEM	
8	M19703	Jack Lever OEM	\$10.49
9	M81400	Spring OEM Meyer	\$2.59
10	M19775	Pin Meyer Pin Drive Pro OEM	\$39.29
11	M22260	OEM Washer 3/8 Poly	\$5.29
12	M22010	Bolt OEM 3/8 X 1-1/4	\$2.59
13	M19781	Pin Handle OEM	\$68.09
14	Z100861	Cotter Pin 1/8 X 1-1/2	\$.59
14	M20406	Cotter Pin OEM 3/16 X 1-1/2	\$2.59
15	M22399	Quick Pin OEM Meyer	\$13.99
16	M07550	Saber II Light Kit OEM	\$362.19



WC220

Phone Orders: 1.800.Angelo.2 (1.800.264.3562)

MEYER E47 & E57 HYDRAULIC UNIT PARTS

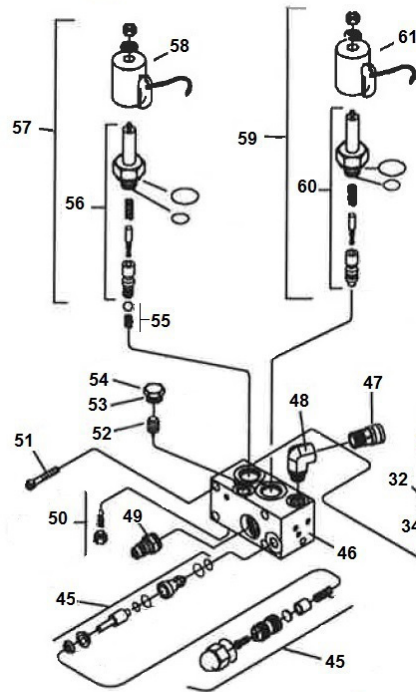
MEYER E47-E57 HYDRAULIC UNIT PARTS

E-47 Obsolete



Replaced by E-58H

5

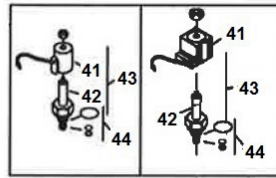
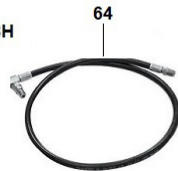


E-57 Obsolete

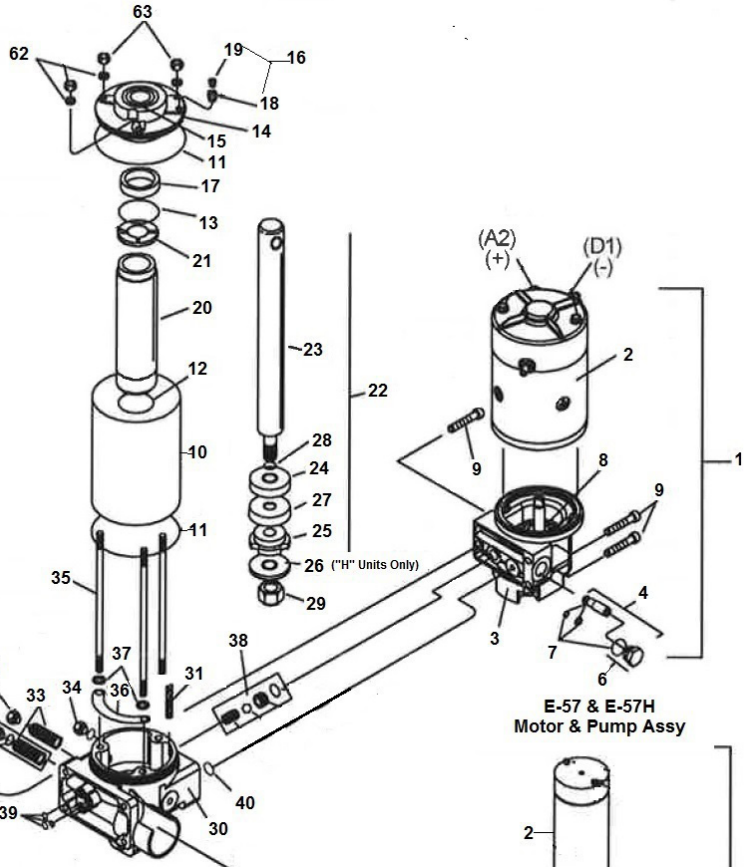


Replaced by E-58H

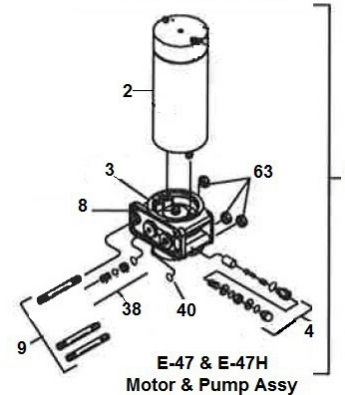
5



"A" Solenoid



E-57 & E-57H Motor & Pump Assy



E-47 & E-47H Motor & Pump Assy

"A" Coil = Black Wire = Lowering Of Plow
 "B" Coil = Red Wire = Raising of Plow
 "C" Coil = Green Wire = Right Angle Of Plow
 Natural Default Of The Plow Is To Angle Left

Parts List Continued On Next Page

LOC NO	PART NUMBER	DESCRIPTION	PRICE
1	M15153	Pump & Motor Assembly OEM	\$450.29
1	M15869	Conversion Kit Pump& Motor OEM	\$472.99
2	1306005	Motor For Meyer Diamond E47	\$61.49
2	1306007	Motor For Meyer Diamond E60	\$97.09
2	M15054SP	Motor OEM E 47	\$155.39
3	1306152	Pump Assembly E-47	\$111.39
3	M15889	Pump Assembly OEM E-57 E-58	\$228.69
3	M15026	Pump Assembly E-47	\$84.69
4	M15611	Pump Relief Valve OEM	\$52.39
4	M15874	Pump Relief Valve Meyer	\$82.89
5	M15995	E58H Power Unit Meyer	\$1618.79
6	M15878	Plug W/O-ring Meyer	\$6.99

LOC NO	PART NUMBER	DESCRIPTION	PRICE
7	M15875	Seal Kit Relief Valve OEM	\$16.59
8	1306185	Pump Shaft Seal E-58H	\$2.99
8	M15877	Pump Shaft Seal E-58H OEM	\$7.89
8	M15581	Pump Shaft Seal E-47 OEM	\$14.59
9	M15043C	Stud Meyer OEM	\$6.89
9	M22339	Screw OEM 5/16 X 1-3/4	\$2.59
10	M15045	Tank Cylinder Tube 6" OEM	\$54.99
10	M15204	Cylinder Tank 8 Stroke H OEM	\$59.39
11	Z101024	O-ring 3-1/2 Id	\$.89
11	M15131C	O-ring 3-1/2 Id Meyer OEM	\$5.49
12	Z101026	O-ring 1-15/16 Id	\$.39
12	M15163	O-ring 1-15/16 Id OEM	\$3.49

Trade names, Meyer, Western, etc. used in this catalog are for reference purposes only. Angelo's Supplies, Inc. doesn't imply that the products are of these manufacturers. Prices subject to change without notice. All sales are final on electrical items. All authorized returns are subject to a 30% restocking fee. All special order items must be prepaid and sales are final. NO returns or exchanges will be permitted. NS-not shown.

MEYER E47 & E57 HYDRAULIC UNIT PARTS

LOC NO	PART NUMBER	DESCRIPTION	PRICE
13	Z101025	O-ring 1-1/8 Id	\$1.79
13	M15198	O-ring 1-1/8 Id Meyer OEM	\$2.59
14	1306186	Cover E47-E58H	\$13.69
14	M15738	Cover W/wiper OEM	\$49.79
15	1306205	Wiper For Top Cover	\$3.49
15	M05119C	Wiper W/brass Insert OEM	\$8.79
16	1306100	Pressure Relief Valve Kit	\$3.09
16	M08473C	Pressure Relief Valve Kit OEM	\$6.19
17	1306212	Sleeve E60 & E60-H	\$3.89
17	M15199C	Sleeve E-60H Meyer OEM	\$6.99
18	M21805	Reducer Bushing 1/4 to 1/8	\$3.49
19	M21806	Pressure Relief Valve Only OEM	
20	M15207SP	Lift Cylinder 6 X 1-3/4 OEM	\$54.99
20	M15205	Cylinder OEM 1-3/4 X 8 H Meyer	\$64.59
21	M15209	Washer Grooved OEM	\$6.19
22	M15335SP	Ram Assm 1-1/8 x 6 oem	\$121.29
23	1306173	Lift Ram 6"	\$36.39
23	1306174	Lift Ram 8"	\$36.99
23	M15208SP	Lift Ram 6" OEM	\$57.69
23	M15206SP	Lift Ram 8" OEM	\$71.59
24	M15158	Piston Under Ram OEM	\$31.49
25	M15219	Piston Follower Meyer OEM	\$26.19
26	M15760	Spacer E-60h Meyer OEM	\$5.29
27	Z101027	Packing Cup E47 E60	\$2.99
27	M15162C	Packing Cup E47 E60 Meyer	\$9.59
28	Z101028	O-ring 7/16 Id	\$3.39
28	M15125	O-ring 7/16 Id Meyer OEM	\$2.59
29	Z101174	Lock Nut 1/2"	\$5.59
29	M20316	Nut Eslok 1/2-13 Zinc	\$2.59
29	M20307	Lock Nut 1/2 Meyer OEM	
30	M15573	Base & strainer OEM	\$137.09
31	1306153	Strainer Meyer E58H E68	\$4.49
31	M15326	Strainer Meyer OEM	\$6.99
32	M15641	Filter Kit OEM Meyer	\$10.49
33	M15619	Pump Filters (2) OEM	\$5.29
34	Z100877	Plug W/o-ring Meyer	\$1.39
34	M21999	Plug W/o-ring OEM	\$3.49
35	M15042C	OEM Stud 7-1/4	\$11.39
35	M15203	Stud 9-1/4 H Series OEM	\$3.49
36	M15621	Baffle OEM Meyer	\$6.99
37	M21980	Retaining Ring OEM 5/16	\$2.59
38	M15574	Pump Check Valve OEM	\$13.09
39	Z101030	O-ring 1/4 Id	\$3.39
39	M15122	O-ring 1/4 Id Meyer OEM	\$2.59
40	M15127	O-ring 5/8 Id Meyer OEM	\$2.59
41	1306016	A Coil Blk Wire Old Style 3/8	\$11.39
41	1306025	A Coil Black Wire 5/8	\$10.39
41	M15905	A Coil OEM Square Black Wire	\$44.59

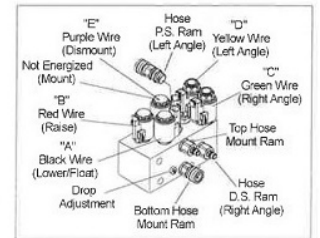
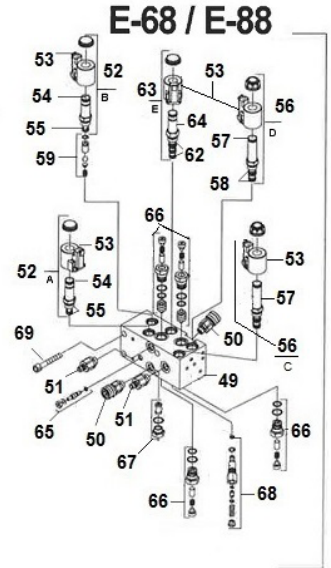
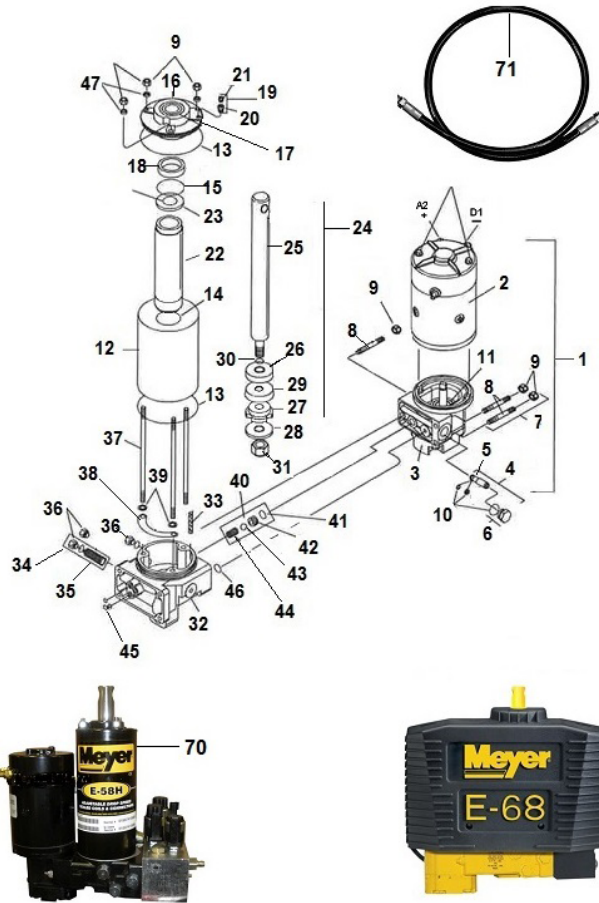
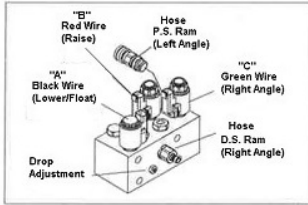
LOC NO	PART NUMBER	DESCRIPTION	PRICE
41	M15659	A Coil Black Wire OEM 5/8	\$39.29
42	1306020	A Valve Old Style 3/8 Stem	\$31.69
42	1306030	A Valve Black Wire 5/8"	\$33.19
42	M15660C	A Valve OEM 5/8 Black Wire	\$82.89
42	M15393	A Valve OEM Old Style 3/8 Stem	\$54.99
43	M15661	A Solenoid Assembly OEM	\$89.89
43	M15972	A Solenoid Assembly E-60	\$90.79
44	M15431	OEM Kit: O-ring - 2 Way S	\$13.09
45	1306105	Crossover Valve	\$34.89
45	1306107	Crossover Valve 1 Piece	\$60.99
45	M15974	Crossover Valve 1 Piece OEM	\$137.09
46	M15967	Valve Block Assm E58h & E78	\$68.79
47	M15822	Hyd Coupler Assm Block OEM	\$41.09
47	M15741	Coupler Set Female 1/4 OEM	\$40.19
48	1304056	Elbow Swivel Old Style	\$3.19
48	M22295	Elbow Forged New Style OEM	\$17.49
48	M21855	Elbow Swivel Old Style OEM	\$12.29
49	1304027	Coupler Set Meyer	\$31.79
49	M15821	Coupler Assembly OEM	\$45.39
50	Z100759	Pilot Check Valve Meyer	\$26.09
50	M15639	Pilot Check Valve OEM	\$28.79
51	Z100866	Screw 5/16 X 1-1/2	\$5.59
51	M21826	Screw OEM 5/16 X 1-1/2	\$2.59
52	M15609	Piston OEM All Pumps	\$25.39
53	M15126	O-ring 9/16 Id Meyer	\$2.59
54	M15359	Plug Valve Block OEM	\$23.59
55	M15576	B Check Valve OEM	\$6.99
56	1306050	B Valve Red Wire	\$53.59
56	M15698	B Valve OEM Red Wire	\$118.69
57	M15697	B Valve & Coil Assm OEM	\$164.99
58	1306045	B Coil Red Wire	\$12.89
58	M15382	B Coil OEM Red Wire	\$36.69
59	M15358C	C Coil and Valve OEM	\$160.59
60	1306065	C Valve Green Wire	\$56.49
60	M15381	C Valve Green Wire OEM	\$128.29
61	1306060	C Coil Green Wire	\$11.59
61	M15430	C Coil Green Wire OEM	\$41.89
62	Z100873	Nylite Washer 5/16	\$6.69
62	M21929	Nylite Washer 5/16 OEM	\$2.59
63	Z100098	Lock Nut 5/16 Fine Thread	\$5.59
63	M20697	Lock Nut 5/16 Meyer	\$2.59
64	M21856	Hose 45 Meyer W/swivel OEM	\$26.19
64	1304031	Hose 1/4 X 45 For Meyer	\$16.59
NS	1304026	Coupler Set 1/4	\$8.19
NS	1306155	Master Seal Kit E47	\$19.59
NS	M08128	Upgrade Kit To E-58H OEM	\$118.69
NS	M15456	Master Seal Kit E-47 OEM	\$95.19

Fax Orders: 248-442-8327

Phone Orders: 1.800.Angelo.2 (1.800.264.3562)

MEYER E58H-E68-E78-E88 HYDRAULIC UNIT PARTS

MEYER E58 E68 E78 E88 HYDRAULIC UNIT PARTS



LOC NO	PART NUMBER	DESCRIPTION	PRICE
1	M15869	Conversion Kit Pump& Motor OEM	\$472.99
2	1306007	Motor For Meyer Diamond E60	\$97.09
2	M15727	Motor For Meyer E57- E88 OEM	\$201.59
3	M15889	Pump Assembly OEM E-57 E-58	\$228.69
4	M15874	Pump Relief Valve Meyer	\$82.89
6	M15878	Plug W/O-ring Meyer	\$6.99
7	M08788	Hdw Bag Conv Kts E57 1586 OEM	\$9.59
8	M15973	Stud E57/E68 Pump/base	\$2.59
9	Z100098	Lock Nut 5/16 Fine Thread	\$.59
9	M20697	Lock Nut 5/16 Meyer	\$2.59
10	M15875	Seal Kit Relief Valve OEM	\$16.59
11	M15877	Pump Shaft Seal E-58H OEM	\$7.89
11	1306185	Pump Shaft Seal E-58H	\$2.99
12	M15204	Cylinder Tank 8 Stroke H OEM	\$59.39

LOC NO	PART NUMBER	DESCRIPTION	PRICE
13	Z101024	O-ring 3-1/2 Id	\$.89
13	M15131C	O-ring 3-1/2 Id Meyer OEM	\$5.49
14	Z101026	O-ring 1-15/16 Id	\$.39
14	M15163	O-ring 1-15/16 Id OEM	\$3.49
15	Z101025	O-ring 1-1/8 Id	\$1.79
15	M15198	O-ring 1-1/8 Id Meyer OEM	\$2.59
16	1306186	Cover E47-E58H	\$2.99
16	M15738	Cover W/wiper OEM	\$63.19
17	1306205	Wiper For Top Cover	\$3.49
17	M05119C	Wiper W/brass Insert OEM	\$8.79
18	1306212	Sleeve E60 & E60-H	\$3.89
18	M15199C	Sleeve E-60H Meyer OEM	\$6.99
19	1306100	Pressure Relief Valve Kit	\$3.09
19	M08473C	Pressure Relief Valve Kit OEM	\$6.19

Parts List Continued On Next Page

Trade names, Meyer, Western, etc. used in this catalog are for reference purposes only. Angelo's Supplies, Inc. doesn't imply that the products are of these manufacturers. Prices subject to change without notice. All sales are final on electrical items. All authorized returns are subject to a 30% restocking fee. All special order items must be prepaid and sales are final. NO returns or exchanges will be permitted. NS-not shown.

MEYER E58H-E68-E78-E88 HYDRAULIC UNIT PARTS

LOC NO	PART NUMBER	DESCRIPTION	PRICE
20	M21805	Reducer Bushing 1/4 to 1/8	\$3.49
21	M21806	Pressure Relief Valve Only OEM	\$20.09
22	M15205	Cylinder OEM 1-3/4 X 8 H Meyer	\$64.59
23	M15209	Washer Grooved OEM	\$6.19
24	M15761SP	Ram Assm 1-1/8 x 8 E57H OEM	\$137.89
25	1306174	Lift Ram 8"	\$36.99
25	M15206SP	Lift Ram 8" OEM	\$71.59
26	M15158	Piston Under Ram OEM	\$31.49
27	M15219	Piston Follower Meyer OEM	\$26.19
28	M15760	Spacer E-60h Meyer OEM	\$5.29
29	Z101027	Packing Cup E47 E60	\$2.99
29	M15162C	Packing Cup E47 E60 Meyer	\$9.59
30	Z101028	O-ring 7/16 Id	\$3.39
30	M15125	O-ring 7/16 Id Meyer OEM	\$2.59
31	M20316	Nut Eslok 1/2-13 Zinc	
31	M20307	Lock Nut 1/2 Meyer OEM	\$2.59
31	Z101174	Lock Nut 1/2"	\$5.59
32	M15980	Base & Strainer E58H E68H E88H	\$164.99
33	1306153	Strainer Meyer E58H E68	\$4.49
33	M15326	Strainer Meyer OEM	\$6.99
34	M15641	Filter Kit OEM Meyer	\$10.49
35	M15619	Pump Filters (2) OEM	\$5.29
36	Z100877	Plug W/o-ring Meyer	\$1.39
36	M21999	Plug W/o-ring OEM	\$3.49
37	M15203	Stud 9-1/4 H Series OEM	
38	M15621	Baffle OEM Meyer	\$6.99
39	M21980	Retaining Ring OEM 5/16	\$2.59
40	M15574	Pump Check Valve OEM	\$13.09
41	M15124	O-ring Electro Touch 3/8 Id	\$2.59
42	M15354	OEM Seat Sump Valve	
43	M15603	OEM 9/32 In Ball Steel	\$2.59
44	M15604	OEM Spring Sump Check	
45	Z101030	O-ring 1/4 Id	\$3.39
45	M15122	O-ring 1/4 Id Meyer OEM	\$2.59
46	M15127	O-ring 5/8 Id Meyer OEM	
47	Z100873	Nylite Washer 5/16	\$6.69
47	M21929	Nylite Washer 5/16 OEM	\$2.59

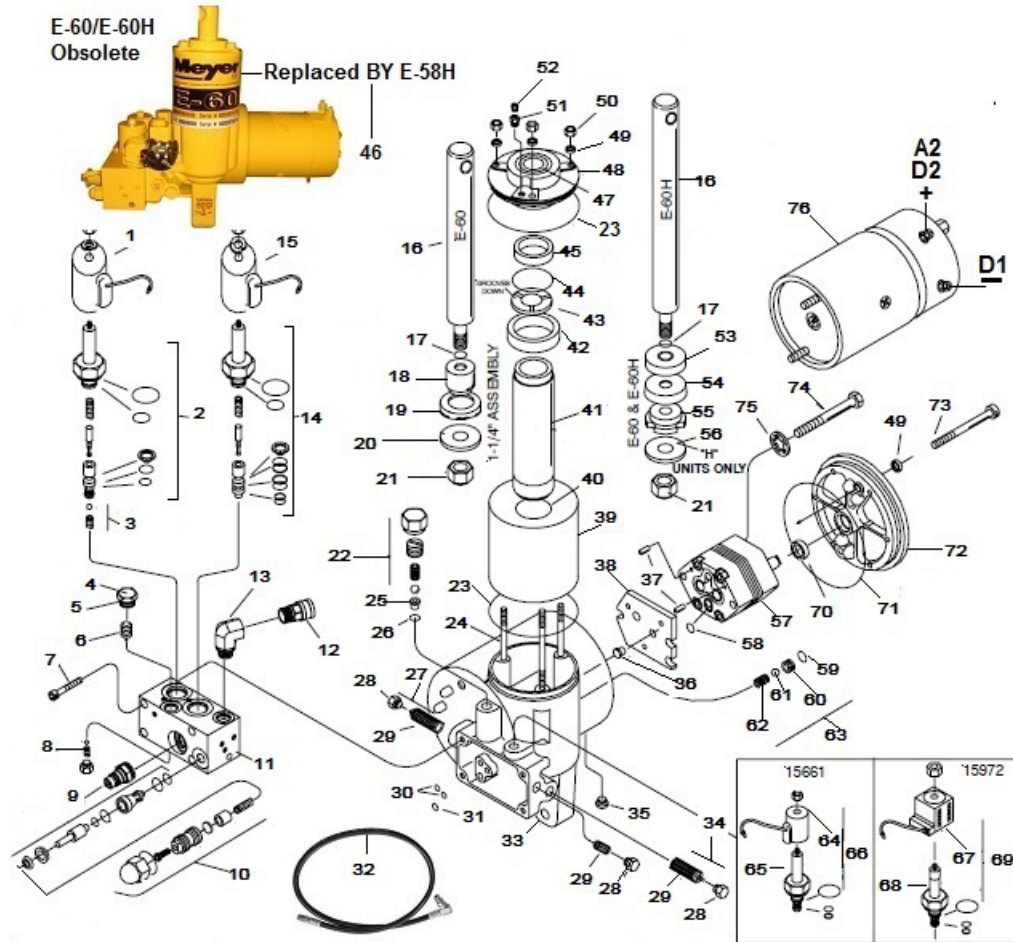
LOC NO	PART NUMBER	DESCRIPTION	PRICE
48	M15967	Valve Block Assm E58H & E78	\$686.79
49	M15941	Valve Block Assy E68 & E88 OEM	\$861.29
50	M22445	Coupler Female Half Meyer OEM	\$28.79
51	M22442	Coupler Male Half Meyer OEM	\$20.99
52	M15925	Solenoid Assm A & B E88	\$113.49
53	M15916	Coil New Style Connector OEM	\$31.99
53	1306116	Coil Connector New Style	\$58.49
54	M15917	Valve A & B E58H - E88 Meyer	\$58.49
54	1306031	A Valve New Style 5/8 Stem	\$47.59
55	M15928	OEM Kit: Seal A & B Valve	\$13.99
56	M15926	Solenoid Assm C & D E88	\$114.39
57	1306051	Valve B, C & D Meyer	\$57.79
57	M15918	Valve B,C & D E58H - E88 Meyer	\$90.79
58	M15929	OEM Kit: Seal C & D Valve	\$15.79
59	M15959	B Check Valve OEM	\$82.09
60	M15987	Valve C Solenoid E58H Meyer	\$139.69
61	M15958	C Valve OEM	\$100.39
61	1306067	Valve C E-58H	\$58.69
62	M15930	OEM Kit: Seal E Valve	\$19.19
63	M15927	OEM Solenoid E Assy E88	\$126.59
64	M15919	Valve E Cartridge OEM	\$95.19
65	M15950	Needle Valve OEM	\$21.89
66	M15965	OEM Dual Check Valve	\$219.99
67	M15951	Pa Block Filter OEM	\$34.09
68	M15974	Crossover Valve 1 Piece OEM	\$137.09
68	1306107	Crossover Valve 1 Piece	\$60.99
69	Z100866	Screw 5/16 X 1-1/2	\$5.59
69	M21826	Screw OEM 5/16 X 1-1/2	\$2.59
70	M15971	E68 Hydraulic Power Unit OEM	\$1975.99
70	M15995	E58H Power Unit Meyer	\$1618.79
71	1304031	Hose 1/4 X 45 For Meyer	\$16.59
71	M21856	Hose 45 Meyer W/swivel OEM	\$26.19
71	M22420	Hose 1/4 X 33 Meyer OEM	\$31.49
71	M22395	Hose OEM Meyer 1/4 X 33	\$44.89
71	M22461	Hose 1/4 X 38 OEM Meyer	\$27.09
NS	Z100835	Master Seal Kit E-58 E-78	\$20.29
NS	M15969	Master Seal Kit E-58H OEM	\$79.49

Fax Orders: 248-442-8327

Phone Orders: 1.800.Angelo.2 (1.800.264.3562)

MEYER E60 HYDRAULIC UNIT PARTS

MEYER E60 HYDRAULIC UNIT PARTS



"A" Coil = Black Wire = Lowering Of Plow
 "B" Coil = Red Wire = Raising of Plow
 "C" Coil = Green Wire = Right Angle Of Plow
 Natural Default Of The Plow Is To Angle Left

LOC NO	PART NUMBER	DESCRIPTION	PRICE
1	1306045	B Coil Red Wire	\$12.89
1	M15382	B Coil OEM Red Wire	\$44.19
2	1306050	B Valve Red Wire	\$53.59
2	M15697	B Valve & Coil Assm OEM	\$164.99
2	M15698	B Valve OEM Red Wire	\$129.79
3	M15576	B Check Valve OEM	\$6.99
4	M15359	Plug Valve Block OEM	\$23.59
5	M15126	O-ring 9/16 Id Meyer	\$2.59
6	M15609	Piston OEM All Pumps	\$25.39
7	Z100866	Screw 5/16 X 1-1/2	\$.59
7	M21826	Screw OEM 5/16 X 1-1/2	\$2.59
8	Z100759	Pilot Check Valve Meyer	\$26.09
8	M15639	Pilot Check Valve OEM	\$28.79
9	1304027	Coupler Set Meyer	\$31.79
9	M15821	Coupler Assembly OEM	\$45.39
10	1306105	Crossover Valve	\$34.89

LOC NO	PART NUMBER	DESCRIPTION	PRICE
10	1306107	Crossover Valve 1 Piece	\$60.99
10	M15974	Crossover Valve 1 Piece OEM	\$144.99
11	M15967	Valve Block Assm E58h & E78	\$686.79
12	M15822	Hyd Coupler Assm Block OEM	\$41.09
13	M22295	Elbow Forged New Style OEM	\$17.49
14	M15381	C Valve Green Wire OEM	\$139.99
14	1306065	C Valve Green Wire	\$56.49
14	M15358C	C Coil and Valve OEM	\$160.59
15	1306060	C Coil Green Wire	\$11.59
15	M15430	C Coil Green Wire OEM	\$44.19
16	1306173	Lift Ram 6"	\$36.39
16	1306174	Lift Ram 8"	\$36.99
16	M15335SP	Ram Assm 1-1/8 x 6 oem	\$121.29
16	M15208SP	Lift Ram 6" OEM	\$57.69
16	M15206SP	Lift Ram 8" OEM	\$71.59
17	Z101028	O-ring 7/16 Id	\$.39

Parts List Continued On Next Page

Trade names, Meyer, Western, etc. used in this catalog are for reference purposes only. Angelo's Supplies, Inc. doesn't imply that the products are of these manufacturers. Prices subject to change without notice. All sales are final on electrical items. All authorized returns are subject to a 30% restocking fee. All special order items must be prepaid and sales are final. NO returns or exchanges will be permitted. NS-not shown.

MEYER E60 HYDRAULIC UNIT PARTS

LOC NO	PART NUMBER	DESCRIPTION	PRICE
17	M15125	O-ring 7/16 Id Meyer OEM	\$2.59
18	M15690	Piston OEM E-60	\$31.49
19	Z100982	Packing Cup Meyer E-60	\$6.69
19	M15691	Packing Cup OEM	\$16.49
20	M15692	Flat Washer OEM	\$2.59
21	Z101174	Lock Nut 1/2"	\$.59
21	M20316	Nut Eskloc 1/2-13 Zinc	\$2.59
22	M15699	Relief Valve OEM E-60	\$17.49
23	Z101024	O-ring 3-1/2 Id	\$.89
23	M15131C	O-ring 3-1/2 Id Meyer OEM	\$6.19
24	M15708	Stud Kit Meyer E60 (3 Studs)	\$13.13
24	M15709	Stud 8" Lift E-60h OEM	\$4.39
25	M15702	OEM Ball Seat	
26	M15700	OEM O-ring: #905	\$2.59
27	M15641	Filter Kit OEM Meyer	\$10.49
28	Z100877	Plug W/o-ring Meyer	\$1.39
28	M21999	Plug W/o-ring OEM	\$3.49
29	M15619	Pump Filters (2) OEM	\$5.29
30	Z101030	O-ring 1/4 Id	\$.39
30	M15122	O-ring 1/4 Id Meyer OEM	\$2.59
31	Z100981	O-ring 5/16 Id	\$.39
31	M15123	O-ring 5/16 Id Meyer OEM	\$2.59
32	M21856	Hose 45 Meyer W/swivel OEM	\$29.88
32	1304031	Hose 1/4 X 45 For Meyer	\$16.59
33	M15726	Sump Base OEM E-60 E-60h	\$210.39
34	M22118	Set Screw Drop Speed OEM	\$2.59
35	Z100884	Plug W/o-ring 9/16 Meyer	\$1.29
35	M22129	Plug W/o-ring OEM	\$3.59
36	M15713	Locator OEM E-60	\$2.59
37	M15688	Dowel Pin OEM	\$2.99
38	M15703	Pump Plate OEM	\$39.29
39	M15696	Cylinder Tank OEM 6" Lift E60	\$34.99
39	M15704	Cylinder Tank OEM 8" Lift E60	\$73.39
40	Z100984	O-ring 1-1/2 Id	\$.49
40	Z101026	O-ring 1-15/16 Id	\$.39
40	M15693	O-ring 1-1/2 Id OEM	\$2.59
41	M15205	Cylinder OEM 1-3/4 X 8 H Meyer	\$64.59
41	M08839	Cylinder Kit OEM 1-3/4 X 6	\$92.39
41	M15953	OEM Cyl 1-3/4 X 6 Kit	\$34.99
42	1306212	Sleeve E60 & E60-H	\$3.89
43	M15209	Washer Grooved OEM	\$6.19
44	Z101025	O-ring 1-1/8 Id	\$1.79
44	M15198	O-ring 1-1/8 Id Meyer OEM	\$2.59
45	M15199C	Sleeve E-60H Meyer OEM	\$6.99
46	M15995	E58H Power Unit Meyer	\$1618.79
47	M05119C	Wiper W/brass Insert OEM	\$8.79
47	1306205	Wiper For Top Cover	\$3.49

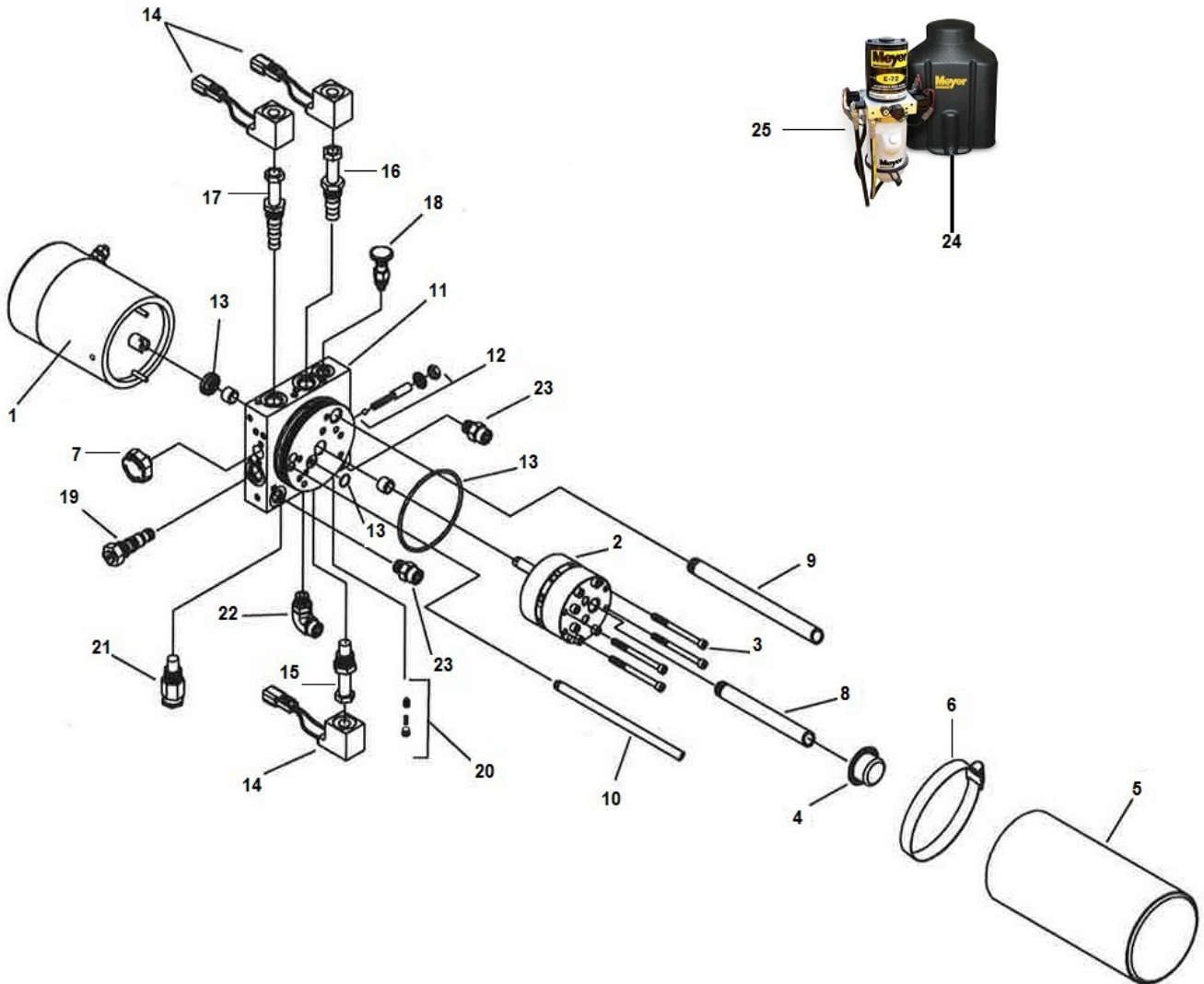
LOC NO	PART NUMBER	DESCRIPTION	PRICE
48	M15738	Cover W/wiper OEM	\$49.79
48	1306186	Cover E47-E58H	\$13.69
49	M21929	Nylite Washer 5/16 OEM	\$2.59
49	Z100873	Nylite Washer 5/16	\$.69
50	Z100098	Lock Nut 5/16 Fine Thread	\$.59
50	M20697	Lock Nut 5/16 Meyer	\$2.59
51	1306100	Pressure Relief Valve Kit	\$3.09
	M21805	Reducer Bushing 1/4 to 1/8	\$3.49
52	M21806	Pressure Relief Valve Only OEM	
53	M15158	Piston Under Ram OEM	\$31.49
54	M15162C	Packing Cup E47 E60 Meyer	\$9.59
54	Z101027	Packing Cup E47 E60	\$2.99
55	M15219	Piston Follower Meyer OEM	\$26.19
56	M15760	Spacer E-60h Meyer OEM	\$5.29
57	1306202	Pump E60	\$154.99
57	M15729	Pump OEM E-60	\$366.59
58	M15701	O-ring Special Meyer OEM	\$2.59
59	M15124	O-ring Electro Touch 3/8 Id	
60	M15354	OEM Seat Sump Valve	\$2.59
61	M15603	OEM 9/32 In Ball Steel	
62	M15604	OEM Spring Sump Check	\$2.59
63	M15574	Pump Check Valve OEM	\$13.09
64	1306025	A Coil Black Wire 5/8	\$10.39
64	M15659	A Coil Black Wire OEM 5/8	\$39.29
65	1306030	A Valve Black Wire 5/8"	\$33.19
65	M15660C	A Valve OEM 5/8 Black Wire	\$82.29
66	M15661	A Solenoid Assembly OEM	\$89.89
67	M15905	A Coil OEM Square Black Wire	\$44.59
68	M08473C	Pressure Relief Valve Kit OEM	\$6.19
68	1306100	Pressure Relief Valve Kit	\$3.09
69	M15972	A Solenoid Assembly E-60	\$90.79
70	1306200	Pump Shaft Seal E-60	\$2.69
70	M15686	Pump Shaft Seal E-60 OEM	\$8.79
71	M15687	O-ring 4-3/4 Id OEM	\$2.59
72	M15831	Cover W/tabs OEM	\$54.99
72	M15841	OEM Service Motor E60/e60	\$228.69
72	M15730	OEM Cover Motor Mount E60	\$54.99
73	Z100882	Bolt 5/16 X 3-1/4	\$4.49
73	M22120	Bolt 5/16 X 3-1/4 OEM	\$4.39
74	Z100881	Bolt 3/8 X 3-1/2	\$.59
74	M22119	Bolt 3/8 X 3-1/2 OEM	\$2.59
75	Z100864	Star Washer 3/8	\$.19
76	1306007	Motor For Meyer Diamond E60	\$97.09
76	M15727	Motor For Meyer E57- E88 OEM	\$201.59
NS	1306225	Master Seal Kit E-60	\$27.49
NS	M15705	Master Seal Kit E-60 OEM	\$116.99
NS	M08128	Upgrade Kit To E-58H OEM	\$118.69

Fax Orders: 248-442-8327

Phone Orders: 1.800.Angelo.2 (1.800.264.3562)

MEYER E72 HYDRAULIC UNIT PARTS

MEYER E72 HYDRAULIC UNIT PARTS & COMMERCIAL PLOW PARTS

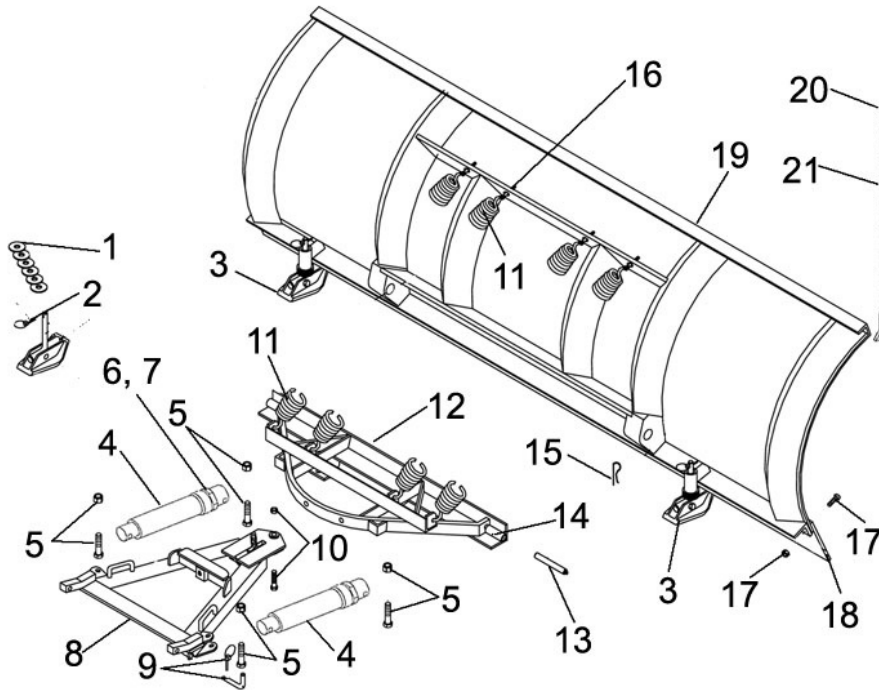


LOC NO	PART NUMBER	DESCRIPTION	PRICE
1	M15070	OEM Motor, Monarch #1844	\$348.19
2	M15097	Pump Assembly Meyer OEM	\$131.79
3	M15083	Screw 1/4 x 3 Allen Head OEM	\$2.59
4	M15101	Filter Pump Assembly Meyer OEM	\$4.39
5	M15169	Reservoir Meyer OEM	\$68.99
6	M15066	Reservoir Hose Clamp Meyer OEM	\$10.49
7	M15067	Reservoir Breather OEM Meyer	\$4.39
8	M15100	Oil Pickup Tube 5-3/4 OEM	
9	M15099	Oil Return Tube 1/2" Id OEM	\$6.99
10	M15180	Oil Return Tube 3/16" Id OEM	
11	M15175	Base Assembly Meyer OEM	\$219.99
12	M15121	Relief Valve V-70 OEM	\$12.29
13	M15082	Seal Kit Meyer OEM	\$13.99

LOC NO	PART NUMBER	DESCRIPTION	PRICE
14	M15150	Coil 12v Meyer Home Plow OEM	\$36.69
15	M15146	Valve A Cartridge OEM	\$45.39
16	M15117	B Valve Cartridge S5, S6 OEM	\$146.69
17	M15111	Cartridge Valve S2,s3,s7 OEM	\$61.09
18	M15165	Needle Valve Meyer	\$54.99
19	M15148	Check Valve Dual Meyer OEM	\$109.99
20	M15152	Check Valve Assembly OEM	\$11.39
21	M15179	Relief Valve Assembly OEM	\$155.39
22	M22866	Elbow 90 Degree Fitting OEM	\$5.29
23	M22868	Straight Fitting 3/8 Meyer OEM	\$4.39
24	M15645	Lift Cover E-72 Unit Meyer OEM	\$41.09
25	M16006	E-72 OEM Hydraulic Unit OEM	\$1579.29

Trade names, Meyer, Western, etc. used in this catalog are for reference purposes only. Angelo's Supplies, Inc. doesn't imply that the products are of these manufacturers. Prices subject to change without notice. All sales are final on electrical items. All authorized returns are subject to a 30% restocking fee. All special order items must be prepaid and sales are final. NO returns or exchanges will be permitted. NS-not shown.

MEYER COMMERCIAL PLOW PARTS



LOC NO	PART NUMBER	DESCRIPTION	PRICE
1	M20363	Flat Washer OEM 1-1/4	\$6.99
2	1303032	Linch Pin 7/16 Plow Shoes	\$.69
3	M09592	Shoe Assembly OEM 9ft - 10ft	\$91.69
3	1303005	Shoe Assm Meyer 7.5ft.-8.5ft.	\$18.79
3	1303010	Shoe Assm Meyer 9-10ft.	\$36.89
4	1304006	Cylinder 1.5 x 10 EZ Mount Pl	\$62.39
4	M07968	Angle Cylinder OEM 1.5 x 10	\$183.29
4	M05437SP	Angle Cylinder OEM 1-1/2 X 12	
4	1304005	Cylinder 1.5 X 10 Standard	\$62.39
4	1304010	Cylinder Meyer 1-1/2 X 12	\$64.99
5	Z100854	Bolt W/nut 5/8 X 4	\$3.59
6	1305200	Packing Set 1-1/2	\$7.19
7	1305110	Packing Nut 1-1/2 For Meyer	\$16.79
8	M13608	A Frame OEM 31 X 23.5 X 15	\$534.09
8	M13319	A Frame OEM 39 x 23.5 x 15	\$438.09
8	1316115	A Frame 31 X 23.5 X 15	\$431.49
9	M08562	Hitch Pin OEM Meyer	\$13.99
9	1302045	Hitch Pin Meyer	\$4.49
10	1302025	Bolt W/nut 3/4 X 3-1/2	\$4.39
10	M09125	Bolt W/nut OEM 3/4 X 3.5	\$7.89
11	M07017SP	Trip Spring OEM Meyer	\$22.69
11	1302010	Trip Spring Universal	\$10.39
12	M12793	Sector Commercial OEM	\$579.49
12	1316120	Sector Commercial	\$491.59

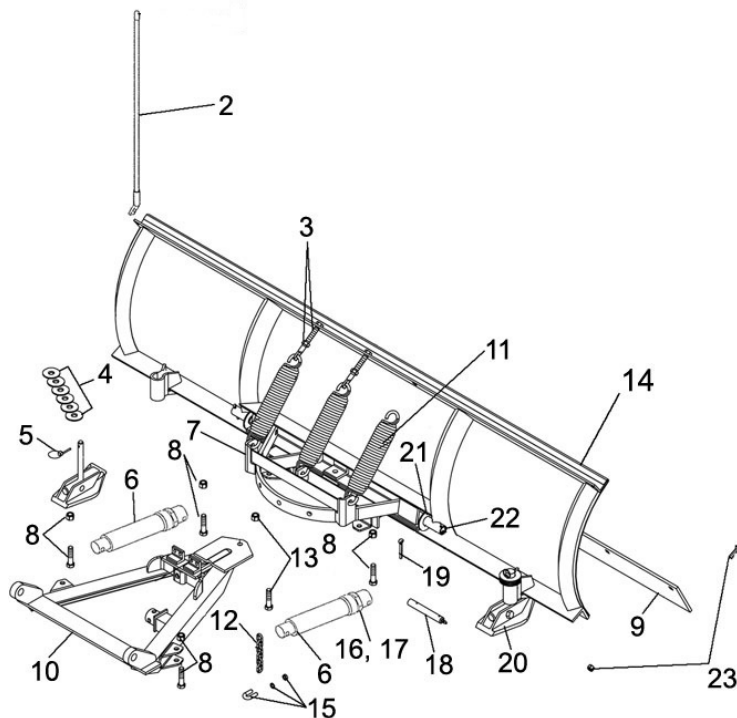
LOC NO	PART NUMBER	DESCRIPTION	PRICE
13	1302031	Pivot Pin Greaseable Set	\$14.99
13	M08554	Pivot Pin Set OEM Greaseable	\$24.49
14	M12149	Pivot Pin Tube OEM 1 Piece	\$10.49
14	1302035	Pivot Pin Tube Set	\$11.29
15	1302252	Hair Pin New Style 3/16	\$.99
15	M21984	Hair Pin 3/16 OEM Set	\$3.49
15	Z100988	Hair Pin 3/16	\$.59
16	M09124	Eyebolt W/Nuts OEM	\$10.49
16	1302005	Eyebolt W/Nuts 5/8	\$2.39
17	1301061	Bolt Kit 10-pcs 1/2 x 2	\$9.09
17	M08184C	Bolt Kit OEM 10 Pcs 1/2 X 2	\$14.89
17	M08318	Bolt Kit OEM 12 Pc 5/8 X 2.5	\$35.79
17	1301065	Bolt Kit 12 Pcs 5/8 x 2-1/2	\$10.99
18	M09796	Cut Edge OEM 7.5 Meyer 3/8	\$137.09
18	M09133	Cut Edge OEM 8ft Meyer	\$174.59
18	M09134	Cut Edge OEM 8.5ft Meyer	\$186.79
18	M07259	Cut Edge OEM 9ft Meyer	\$203.39
18	09796	Cut Edge 7.5 Meyer	\$99.19
18	09133	Cut Edge 8ft Meyer	\$105.79
18	09134	Cut Edge 8.5ft Meyer	\$112.39
18	07259	Cut Edge 9ft Meyer	\$115.99
19	1310020	Plow Shield Yellow	\$34.69
19	M09400	Moldboard 7.6" Ip Steel	\$1089.99
19	M09401	Moldboard 8" LP Steel	\$1208.39
20	1308010	Blade Guide Tips (while supplies last)	\$2.89
21	M09916	Blade Guide Set OEM Yellow	\$23.59
21	1308005	Blade Guides 24 Yellow	\$9.09

Fax Orders: 248-442-8327

Phone Orders: 1.800.Angelo.2 (1.800.264.3562)

MEYER STANDARD PLOW PARTS

MEYER STANDARD - LOT PRO & POLY PLOW PARTS

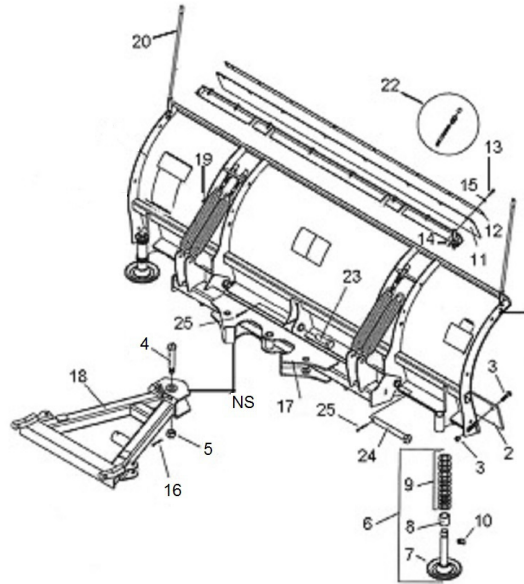


LOC NO	PART NUMBER	DESCRIPTION	PRICE
2	1308005	Blade Guides 24 Yellow	\$9.09
2	M09916C	Blade Guide Set OEM Yellow	\$23.59
3	1302005	Eyebolt W/Nuts 5/8	\$2.39
3	M09124	Eyebolt W/Nuts OEM	\$10.49
4	M20363	Flat Washer OEM 1-1/4	\$6.99
5	1303032	Linch Pin 7/16 Plow Shoes	\$.69
6	1304006	Cylinder 1.5 x 10 EZ Mount Pl	\$62.39
6	1304005	Cylinder 1.5 X 10 Standard	\$61.39
6	M07968	Angle Cylinder OEM 1.5 x 10	\$188.29
7	1316110	Sector Old Style Meyer Stl 6.5 Stp 7.5	\$282.79
8	Z100854	Bolt W/nut 5/8 X 4	\$3.59
9	M09105	Cut Edge 7ft Meyer 3/8	\$124.79
9	09796	Cut Edge 7.5 Meyer 1/2	\$99.19
9	M09796	Cut Edge OEM 7.5 Meyer 3/8	\$137.09
10	1316105	A Frame 11 X 34 X 23.5	\$303.09
10	M13607	A Frame OEM 11 X 31 X 23	\$458.19
10	M13608	A Frame OEM 31 X 23.5 X 15	\$534.09
10	1316115	A Frame 31 X 23.5 X 15	\$431.09
10	M13711	A Frame OEM 11 X 34 X 22.25	\$595.19
10	M13715	A Frame OEM 15 X 31 X 22.25	\$641.39
10	M13612	A Frame OEM 11 X 34 X 23.5	\$392.69
11	1302010	Trip Spring Universal	\$10.39

LOC NO	PART NUMBER	DESCRIPTION	PRICE
11	M07017SP	Trip Spring OEM Meyer	\$22.69
12	M21534	Lift Chain OEM 5/16 X 36	\$29.69
13	1302020	Bolt W/nut 5/8 X 3	\$2.79
13	M09122	Bolt W/nut 5/8 X 3	\$6.19
14	M09159	Moldboard OEM 7ft St Stl	CALL
14	M09243	Moldboard OEM Poly 7ft	
14	M09163	Moldboard OEM 7.5 St Stl	CALL
14	M09244	Moldboard OEM 7.5 Poly St	
15	M85180	U Bolt W/nuts OEM	\$4.59
16	1305200	Packing Set 1-1/2	\$7.19
17	1305110	Packing Nut 1-1/2 For Meyer	\$16.79
18	M08554	Pivot Pin Set OEM Greaseable	\$24.49
18	1302031	Pivot Pin Greaseable Set	\$14.99
19	1302252	Hair Pin New Style 3/16	\$.99
19	Z100988	Hair Pin 3/16	\$.59
20	1303005	Shoe Assm Meyer 7.5ft.-8.5ft.	\$18.79
20	1303025	Spindle for Shoe 09126	\$11.09
21	1302040	Washer (pair)	\$2.29
21	M07141	Washer OEM	\$3.49
22	1302035	Pivot Pin Tube Set	\$11.29
22	M12149	Pivot Pin Tube OEM 1 Piece	\$10.49
23	M08184C	Bolt Kit OEM 10 Pcs 1/2 X 2	\$19.89
23	1301061	Bolt Kit 10-pcs 1/2 x 2	\$9.09

Trade names, Meyer, Western, etc. used in this catalog are for reference purposes only. Angelo's Supplies, Inc. doesn't imply that the products are of these manufacturers. Prices subject to change without notice. All sales are final on electrical items. All authorized returns are subject to a 30% restocking fee. All special order items must be prepaid and sales are final. NO returns or exchanges will be permitted. NS-not shown.

MEYER LOT PRO POLY-STEEL-STAINLESS PLOW PARTS



LOC NO	PART NUMBER	DESCRIPTION	PRICE
1	M09402	Moldboard OEM Lotpro 8.5 Steel	\$1331.69
1	M09403	Moldboard OEM Lotpro 9ft Steel	\$1713.89
1	M09278	Moldboard Poly Drive Pro 7.6	\$1528.39
1	M09400	Moldboard OEM Lotpro 7.6 Steel	\$1089.99
1	M09401	Moldboard OEM Lotpro 8ft Steel	\$1208.39
2	M09796	Cut Edge OEM 7.5 Meyer 3/8	\$137.09
2	09796	Cut Edge 7.5 Meyer	\$99.19
2	M09133	Cut Edge OEM 8ft Meyer	\$174.59
2	09133	Cut Edge 8ft Meyer	\$105.79
2	09134	Cut Edge 8.5ft Meyer	\$112.39
2	M09134	Cut Edge OEM 8.5ft Meyer	\$178.49
2	M07259	Cut Edge OEM 9ft Meyer	\$193.99
2	07259	Cut Edge 9ft Meyer	\$115.99
3	M08486	Bolt Kit OEM Cutting Edge	\$13.99
3	M08318	Bolt Kit OEM 12 Pc 5/8 X 2.5	\$35.79
3	M08184C	Bolt Kit OEM 10 Pcs 1/2 X 2	\$14.89
3	1301061	Bolt Kit 10-pcs 1/2 x 2	\$9.09
3	1303500	Bolt Kit 12 Pcs 1/2 x 2	\$8.99
4	M22398	Pivot Bolt OEM Greasable	\$66.39
5	M22274	Hex Nut Slotted OEM Xpress	\$2.59
6	M09127	Shoe Assm Mushroom OEM	\$54.19
6	M09362	Shoe Assembly OEM Mushroom	\$76.79
7	M12394	Shoe Assembly OEM	\$98.69

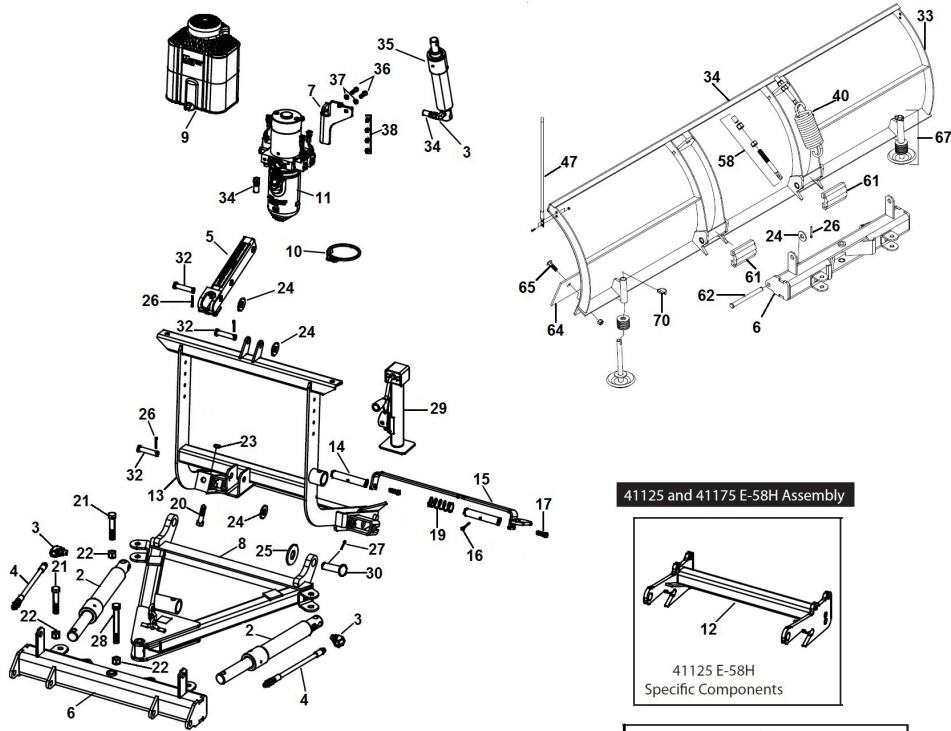
LOC NO	PART NUMBER	DESCRIPTION	PRICE
8	M12449	Spacer OEM	\$11.39
9	M20359	OEM Washer Flat 3/4	\$2.59
10	M22083	Lynch Pin 3/16 OEM	\$4.39
11	1309025	Universal Rubber Deflector	\$67.89
12	M12487	Deflector Reinforcement Bar 7	\$34.09
13	M20050	Bolt H 3/8 16 X 1 1/4 OEM	\$2.59
14	M20305	Locknut Esna 3/8-16 OEM	\$2.59
15	M20353	Washer Flat 3/8 Blk OEM	\$2.59
16	M20406	Cotter Pin OEM 3/16 X 1-1/2	\$2.59
17	M12590	Pivot Bar Weldment OEM	\$389.29
17	M12750	Pivot Bar OEM Lot Pro	\$824.69
18	M13500E	A-frame Lot Pro Plus OEM	\$657.99
19	M07017SP	Trip Spring OEM Meyer	\$22.69
19	M07178	Trip Spring DP & V-Plow Meyer	\$27.09
20	1308005	Blade Guides 24 Yellow	\$9.09
22	M09124	Eyebolt W/Nuts OEM	\$10.49
22	1302005	Eyebolt W/Nuts 5/8	\$2.39
23	M22331	Hex Head Pin OEM	\$31.49
24	M22375	Pivot Pin OEM Greasable	\$68.99
24	M22333	Hex Head Pin W/grease	\$60.29
25	M20406	Cotter Pin 3/16 x 1-1/2	\$2.59
NS	M16546	Paf Ez Plus Drive Pro OEM	\$1078.29
NS	M16547	Ez Plus Lot Pro Paf OEM	\$1120.59

Fax Orders: 248-442-8327

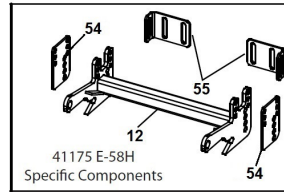
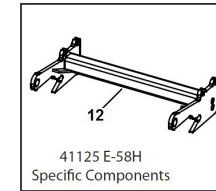
Phone Orders: 1.800.Angelo.2 (1.800.264.3562)

MEYER DRIVE PRO 6'8" & 7'6" PLOW PARTS

MEYER DRIVE PRO & ROAD PRO SNOW PLOW PARTS



41125 and 41175 E-58H Assembly



LOC NO	PART NUMBER	DESCRIPTION	PRICE
2	1304006	Cylinder 1.5 x 10 Meyer	\$62.39
3	M22866	Elbow 90 Degree Fitting OEM	\$5.29
4	M22885	OEM Hose 1/4 X 54 Fem Swvl	\$28.79
4	M22884	OEM Hose Hydraulic 1/4 x 33	\$21.89
5	1304000	Lift Arm Classic Meyer	\$35.29
6	M12959	Pivot Bar Drive Pro OEM	\$341.29
7	M13229	E-72 Mounting Bracket	\$54.99
8	M13920	A Frame Drive Pro	\$417.19
9	M15645	Lift Cover E-72 Unit Meyer OEM	\$41.09
10	M15634	OEM Hydraulic Cover Strap	\$9.59
11	M16006	E-72 OEM Hydraulic Unit OEM	\$1579.29
12	M19836	OEM Clevis Frame Drive Pro	\$170.19
13	M10191	Lift Frame Drive Pro	\$503.59
14	M19775	Pin Meyer Pin Drive Pro OEM	\$39.29
15	M19781	Pin Handle OEM	\$68.09

LOC NO	PART NUMBER	DESCRIPTION	PRICE
16	M20406	Cotter Pin OEM 3/16 X 1-1/2	\$2.59
17	M22010	Bolt OEM 3/8 X 1-1/4	
19	M81400	Spring OEM Meyer	\$2.59
20	Z100862	Cotter Pin 1/4 X 2-1/2	\$0.59
21	M20147	OEM Bolt H 5/8 11 X 3 1/2	\$4.39
22	Z101051	Lock Nut 5/8	\$0.59
23	Z101120	Lock Washer 5/8	
24	Z102066	Washer 5/8	\$0.59
25	Z102068	Washer 1	
26	Z100169	Cotter Pin 1/8 x 1-1/4	\$0.49
27	M20420	Cotter Pin OEM 1/4 X 2	\$2.59
28	M22005	Pivot Bolt OEM 5/8 X 5-1/2	\$4.39
29	M22245	Crank Stand OEM	\$77.69
30	Z100911	Pin 1 X 3 w/Cotter Pin	\$3.79

Parts List Continued On Next Page

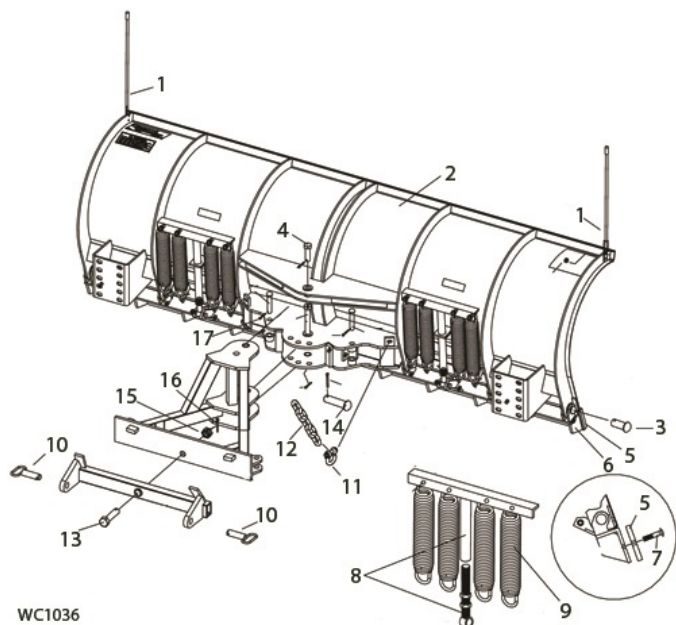
MEYER DRIVE PRO 6'8" & 7'6" PLOW PARTS

LOC NO	PART NUMBER	DESCRIPTION	PRICE
31	M22692	Plow Side Harness OEM	\$145.79
32	M22719	Pivot Pin 5/8" X 3"	\$2.59
33	M09413	Drive Pro 7'-6" Moldboard SHP	\$924.99
33	M09499	MB DP 6.8 Std OP Sys Drive Pro	\$817.79
33	M09256	Moldboard OEM 7.6 Drive Pro	CALL
33	M09274	Moldboard Drive Pro 6' -8" Stl	\$817.79
33	M09320	OEM 09320 Mb Dp 5.0 Steel	
33	M09270	OEM Mb Dp 6.0 Steel - Dri	\$817.79
34	1309035	Snow Deflector Thermoplastic	\$64.69
34	1309025	Snow Deflector Rubber	\$67.89
35	M05815	Lift Cylinder OEM Meyer 1.75x8	\$228.69
36	Z101863	Bolt 3/8 X 1	\$.59
37	Z102060	Lock Washer 3/8	\$.49
38	Z100098	Lock Nut 5/16 Fine Thread	\$.59
40	1302015	Trip Spring Meyer Plows	\$16.69
40	M07178	Trip Spring DP & V-Plow Meyer	\$27.09

LOC NO	PART NUMBER	DESCRIPTION	PRICE
40	M12978	Trip Spring OEM Meyer	\$18.39
47	1308005	Blade Guides 24 Yellow	\$9.09
58	1302005	Eyebolt W/Nuts 5/8	\$2.39
58	M09124	Eyebolt W/Nuts OEM	\$10.49
61	M22686	Trip Bumper OEM	\$6.99
62	M22720	Pivot Pin 5/8 X 7 OEM	\$11.39
64	09796	Cut Edge 7.5 Meyer	\$99.19
64	M09277	Cut Edge OEM Meyer Dp 6 Ft 8"	\$111.69
64	M09271	Cut Edge OEM Meyer 6 Ft Dp	\$131.69
64	M09319	OEM Cut Edge 5 Ft Dp	\$63.79
65	1301061	Bolt Kit 10-pcs 1/2 x 2	\$9.09
67	M09127	Shoe Assm Mushroom OEM	\$54.19
70	3016979	Lynch Pin 3/16	\$3.99
70	1303033	Quick Pin 1/4 Round	\$.89

Fax Orders: 248-442-8327

MEYER ROAD PRO PLOW PARTS

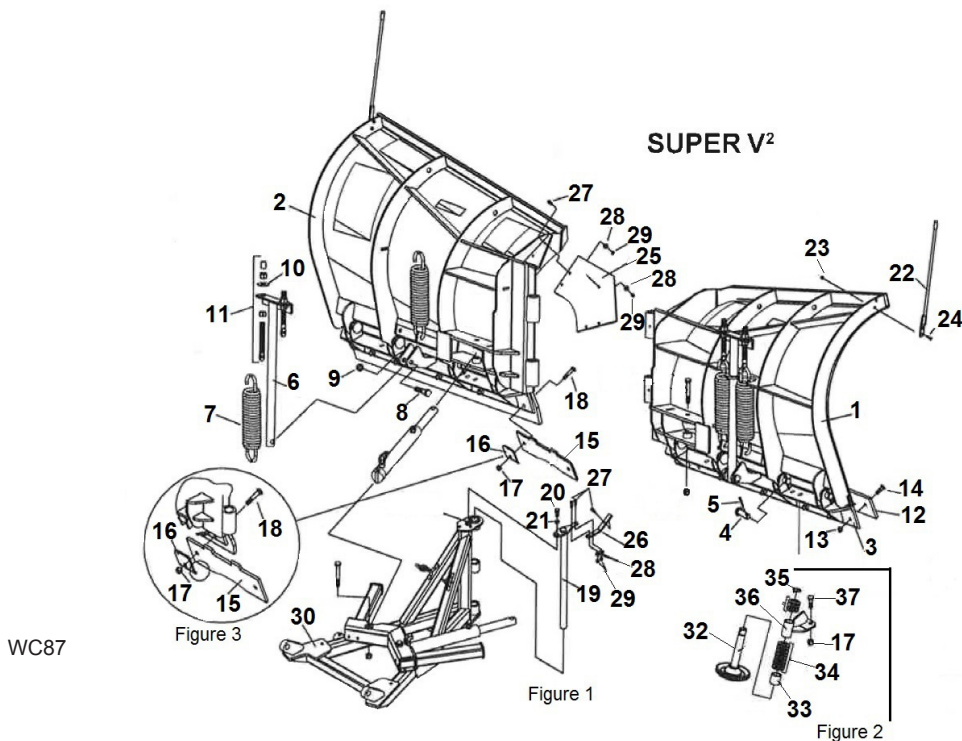


LOC NO	PART NUMBER	DESCRIPTION	PRICE
1	1308005	Blade Guides 24 Yellow	\$9.09
1	M09917	Plow Markers OEM Meyer	\$22.69
2	M84200	Moldboard 10' OEM Meyer RP	\$5740.79
3	1302110	Pin 1-3/16 x 2-13/16	\$10.09
4	M22331	Hex Head Pin OEM	\$31.49
5	M84152	Cut Edge 10' Diamond	\$181.59
6	M84074	Trip Edge Diamond OEM DAGC	\$680.69
7	M21960	Hex Cap Screw 5/8 11 X 2-1/4	\$3.49
8	M84137	T-bar Assembly OEM	\$154.49
9	M07238	Trip Spring Aggressor OEM	\$43.69
10	M19005	Pin Yellow Handle OEM	\$73.39
11	M22278	Anchor Shackle OEM	\$31.49
12	M22289	Lift Chain 3/8 X 64 Grade 70	
13	M22329	Hex Bolt OEM 1-1/4 X 5	\$45.39
14	M81009	Pin 1 3/16 Dia X 5 3/8 OEM	\$23.19
15	M22330	Slotted Hex Nut 1 1/4 OEM	\$16.59
16	M20435	Cotter Pin 5/16 X 2 1/2 OEM	\$2.59
16	Z100863	Cotter Pin 1/4 X 3-1/2	\$.49
17	M22334	Pin 1 X 6 1/16 OEM	\$45.39
NS	M13671	A Frame OEM Aggressor	\$1269.69
NS	M05874	Angle Cyl 2.5 x 11.5 Aggressor	\$366.59

Phone Orders: 1.800.Angelo.2 (1.800.264.3562)

MEYER SUPER V & SUPER V2 PLOW PARTS

MEYER SUPER V - V2 PLOW PARTS - SNOW PLOW CARTS



LOC NO	PART NUMBER	DESCRIPTION	PRICE
1	M09329	Super VLD Wing Kit 7.5	\$2110.79
1	M09446	Super V2 8.5 Wing Kit	\$2874.49
1	M09226	Super Super V 9.5 Wing Kit	\$2694.79
1	M09447	Super V2 9.5 Wing Kit	\$3054.29
1	M09237	Super V2 10.5 Wing Kit	\$3773.09
1	M09328	Super V LD 7.5 Right Side Wing	\$1113.39
1	M09208	Super V 8.5 Right Wing	\$1335.79
1	M09444	Super V2 9.5 Right Wing	\$1652.69
1	M09280	Super V2 10.5 Right Wing	\$2295.89
1	M09442	Super V2 8.5 Right Wing	\$1481.99
2	M09327	Super Vld 7.5 Left Side Wing	\$1113.39
2	M09209	Super V 8.5 Left Wing	\$1300.69
2	M09213	Super V 9.5 Left Wing	\$1497.59
2	M09443	Super V2 8.5 Left Wing	\$1481.99
2	M09445	Super V2 9.5 Left Wing	\$1652.69
2	M09279	Super V2 10.5 Left Wing	\$2295.89
3	M12540	Trip Edge OEM Super V 8.5	\$338.59
3	M13200	Super V LD 7.5 Trip Edge 1/2	\$425.89
3	M13923	Trip Edge Super V2 8.5 1/2	\$458.19
3	M12568	Trip Edge OEM Super V 9.5	\$338.59
3	M13924	Trip Edge Super V2 9.5 1/2	\$485.19
4	M22438	Pin OEM 1 X 2.5	\$20.99

LOC NO	PART NUMBER	DESCRIPTION	PRICE
5	M20420	Cotter Pin OEM 1/4 X 2	\$2.59
6	M13205	T Bar Weldment Super V LD	\$53.29
6	M12528	Tee Bar Super V & V2 OEM	\$70.69
6	M84285	T Bar Super V2 8.5 & 9.5	\$82.09
7	M12978	Trip Spring OEM Meyer	\$18.39
7	M07215	Trip Spring Super V OEM	\$27.99
8	Z111535	Bolt 5/8 x 3 W/Nut	\$3.99
9	M20318	Lock Nut 5/8 OEM	\$3.49
9	Z101051	Lock Nut 5/8	\$.59
10	M20357	Flat Washer OEM 5/8	\$2.59
10	Z102066	Washer 5/8	\$.59
11	M09124	Eyebolt W/Nuts OEM	\$10.49
12	M09331	Cut Edge Super V LD 7.5	\$156.29
12	M09485	Cut Edge Super V & V2 OEM	\$178.89
12	M09487	Cut Edge Kit Super V 8.5	\$238.29
12	M09488	Cut Edge Super V & V2 Kit 5/8	\$274.89
12	M09484	Cut Edge Super V/V2/V2SS 8.5	\$164.99
13	M20307	Lock Nut 1/2 Meyer OEM	\$2.59
13	M20309	Lock Nut OEM 5/8	\$3.49
14	M21961	Bolt 1/2 x 2 OEM	\$2.59
14	1301061	Bolt Kit 10-pcs 1/2 x 2	\$9.09
14	1301065	Bolt Kit 12 Pcs 5/8 x 2-1/2	\$10.99

Parts List Continued On Next Page

Trade names, Meyer, Western, etc. used in this catalog are for reference purposes only. Angelo's Supplies, Inc. doesn't imply that the products are of these manufacturers. Prices subject to change without notice. All sales are final on electrical items. All authorized returns are subject to a 30% restocking fee. All special order items must be prepaid and sales are final. NO returns or exchanges will be permitted. NS-not shown.

MEYER SUPER V & SUPER V2 PLOW PARTS

LOC NO	PART NUMBER	DESCRIPTION	PRICE
14	M08318	Bolt Kit OEM 12 Pc 5/8 X 2.5	\$35.79
15	M09229	OEM Center Rubber Kit V Blade	\$37.59
16	M13209	Backing Plate SV LD 7.5	\$10.49
16	M12549	Backing Plate OEM	
18	M22066	Bolt w/nut OEM 1/2 x 2-3/4	\$5.29
19	M08144	Hardware Carton Super V LD 7.5	\$228.69
19	M08752	Hardware Carton SV2 8.5/10.5	\$198.99
19	M13207	Pivot Pin Super V LD 7.5	\$62.89
19	M12557	Pivot Pin OEM	\$86.39
20	M20095	Bolt OEM 1/2 X 1-1/2	\$2.59
20	Z101176	Bolt 7/16 X 5	\$1.59
21	M20329	Lock Washer OEM 1/2	\$2.59
21	Z102061	Lock Washer 1/2	\$.49
22	1308005	Blade Guides 24 Yellow	\$9.09
22	1308103	Blade Guide 24 Fluorescent	\$20.59
23	E32103	Locknut 1/4	\$.29

LOC NO	PART NUMBER	DESCRIPTION	PRICE
24	M22250	Bolt 1/4 x 1 SS OEM	\$2.59
25	M09339	Deflector Top Kit Super V 7.5	\$24.19
25	M09230	Deflector Super V /2 Top Kit	\$54.19
25	M13323	Deflector Super V LD 7.5	\$48.09
25	M12536	Deflector OEM Super V Top	
26	M13724	Brace Deflector OEM	\$27.09
27	M20028	Bolt W/nut 5/16 X 1-1/4	\$2.59
27	Z101180	Bolt W/nut 5/16 X 1-1/4	\$1.59
28	M20352	Washer OEM 5/16	\$2.59
28	Z102064	Washer 5/16	\$.59
29	M20304	Lock Nut OEM 5/16	\$2.59
30	M13855	A-frame Super Vld 7.5	\$897.69
30	M13755	A Frame OEM Super V Plow	\$937.29
32	M09214	Shoe Kit Super V OEM	\$288.89
32	M12394	Shoe Assembly OEM	\$98.69
33	M12449	Spacer OEM	\$11.39
34	M20363	Flat Washer OEM 1-1/4	\$6.99
35	M22083	Lynch Pin 3/16 OEM	\$4.39
36	M12545	Shoe Runner Bracket OEM	\$73.39
37	M20164	Bolt OEM 5/8 x 2	\$5.29

Fax Orders: 248-442-8327

PLOW CARTS & PLOW DOLLY

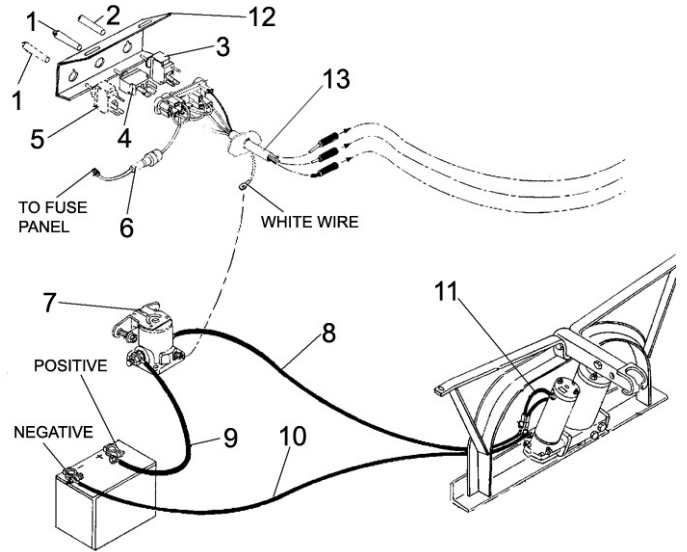
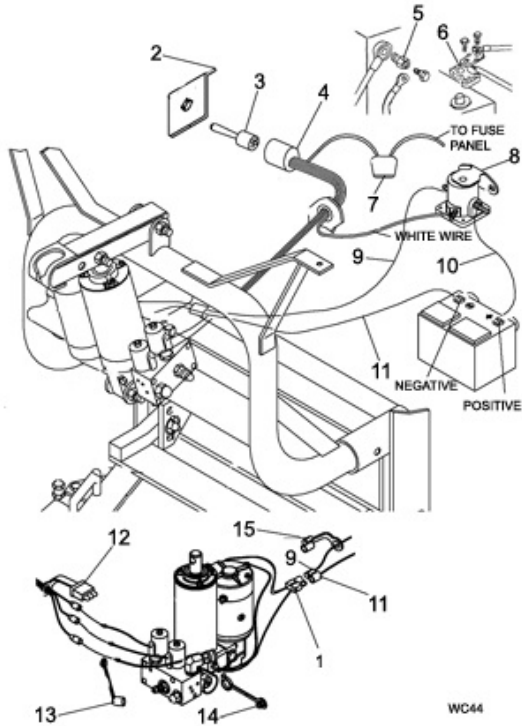


PART NUMBER	DESCRIPTION	PRICE
1310410	Snow Plow Dolly 3 Pc Set	\$60.19
QMB-UV	Plow Cart Meyer v & Fisher MM2 V Plow	\$521.59
QME-SB	Plaw Cart Meyer EZ Adapter	\$81.89
QMB-DP	Plow Cart Meyer Drive Pro 6 & 6.8	\$265.89

Phone Orders: 1.800.Angelo.2 (1.800.264.3562)

MEYER SLIK STICK & TOGGLE SWITCHES WIRING

MEYER SLIK STICK - TOGGLES - E57 - E60 TOUCH PAD WIRING

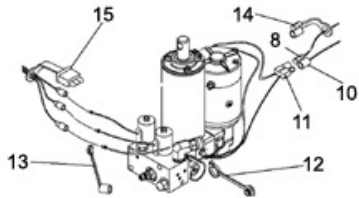
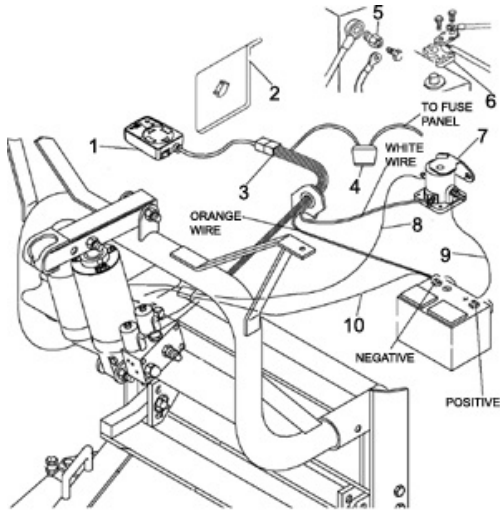


LOC NO	PART NUMBER	DESCRIPTION	PRICE
1	M15811	Pigtail Assm 2 Ground Lead OEM	\$34.09
1	1306117	Pigtail Assm 2 Terminal Ground	\$17.29
2	M15673	Bracket Slik Stick/touchpad	\$2.59
3	M22092	Slik Stik OEM	67.49
4	M15680SP	Harness Slik Stik OEM	\$73.39
5	1306095	Battery Adaptor Side Post	\$1.99
6	Z100507	Battery Terminal top Post	\$3.09
7	Z100602	Fuse 20 Amp Agc	\$.59
8	1306070	Solenoid For Meyer	\$6.09
8	M15370	Solenoid OEM Meyer	\$22.69
9	M15671	Cable Red Positive 63 OEM	\$24.49
9	1306120	Cable 63 Red	\$16.29
10	1306340	Battery Cable 22 Red	\$10.89
10	M05024	Power Cable 36 Meyer OEM	\$9.59
10	1306110	Cable 36 Red	\$6.19
11	M15672	Cable Ground Black 42	\$18.39
11	1306125	Cable Ground 42 Black	\$15.39
12	M15669	Weather Plug Solenoid Wires	\$9.59
13	M22325	Weather Plug For Coupler OEM	\$5.29
14	M22326	Weather Cap for Coupler OEM	
15	M36248	Weather Plug Power Supply OEM	\$4.29

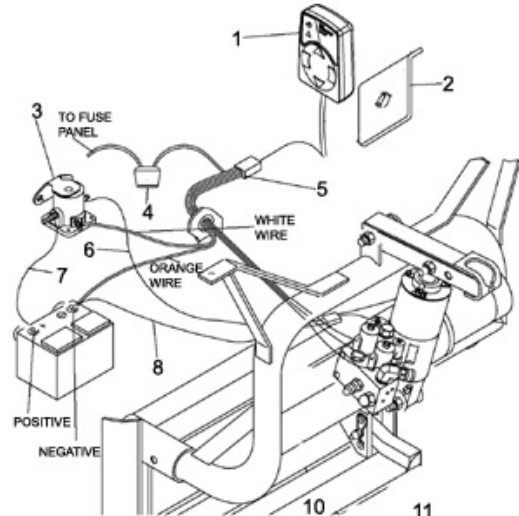
LOC NO	PART NUMBER	DESCRIPTION	PRICE
1	M15376	Black Handle OEM	\$2.59
1	1306090	Switch Extension Black Handle	\$1.69
2	1306085	Switch Extension Yellow Handle	
2	M15375	Yellow Handle OEM Meyer	\$2.59
3	1306080	Lift Switch E-47 Meyer	\$7.49
3	M21919	Lift Switch OEM	\$23.59
4	1306075	Angle Switch E-47	\$7.49
4	M21918	Angle Switch OEM	\$22.69
5	1311006	Headlamp Switch	\$5.79
5	M07955	Headlamp Switch OEM	\$19.19
6	Z101228	Fuse 10 Amp Atc	\$.59
7	1306070	Solenoid For Meyer	\$6.09
7	M15370	Solenoid OEM Meyer	\$22.69
8	1306120	Cable 63 Red	\$16.29
8	M15671	Cable Red Positive 63 OEM	\$24.49
9	1306110	Cable 36 Red	\$6.19
9	1306340	Battery Cable 22 Red	\$10.89
9	M05024	Power Cable 36 Meyer OEM	\$9.59
10	1306125	Cable Ground 42 Black	\$15.39
10	M15672	Cable Ground Black 42	\$18.39
11	1306117	Pigtail Assm 2 Terminal Ground	\$17.29
11	M15811	Pigtail Assm 2 Ground Lead OEM	\$34.09
12	M15656	Bracket Toggle Switches OEM	\$20.99
13	M15478SP	Harness Toggles Switch OEM	\$47.19

This Application Is For The EZ Mount Classic Mounting System, This System Does Not Have A Plug At The Gril Of The Truck

MEYER E57 & E60 TOUCH PAD WIRING



WC45



WC47

LOC NO	PART NUMBER	DESCRIPTION	PRICE
1	M22690DC	Controller Pistol Grip OEM	\$219.99
1	1306901	Universal Controller Meyer/Dia	\$178.99
1	1306083	Touchpad Controller White Plug	\$103.49
2	M15673	Bracket Slik Stick/touchpad	\$2.59
3	M15764SP	Harness Touchpad White Plug	\$80.29
4	Z101228	Fuse 10 Amp Atc	\$.59
5	1306095	Battery Adaptor Side Post	\$1.99
6	Z100507	Battery Terminal top Post	\$3.09
7	M15370	Solenoid OEM Meyer	\$22.69
7	1306070	Solenoid For Meyer	\$6.09
8	M15671	Cable Red Positive 63 OEM	\$24.49
8	1306120	Cable 63 Red	\$16.29
9	1306340	Battery Cable 22 Red	\$10.89
9	M05024	Power Cable 36 Meyer OEM	\$9.59
9	1306110	Cable 36 Red	\$6.19
10	M15672	Cable Ground Black 42	\$18.39
10	1306125	Cable Ground 42 Black	\$15.39
11	M15811	Pigtail Assm 2 Ground Lead OEM	\$34.09
11	1306117	Pigtail Assm 2 Terminal Ground	\$17.29
12	M22326	Weather Cap for Coupler OEM	\$5.29
13	M22325	Weather Plug For Coupler OEM	
14	M36248	Weather Plug Power Supply OEM	\$4.29
15	M15669	Weather Plug Solenoid Wires	\$9.59
NS	M22798	Pistol Grip Cradle Mount OEM	\$38.49
NS	M22799	Joystick Cradle Mount OEM	
NS	M22815	Cradle Mount Adapter OEM	
NS	M22262	Harness Plow Side E-57H/E-60H	\$155.39
NS	M22261	Harness Truck Side E57H/E60H	

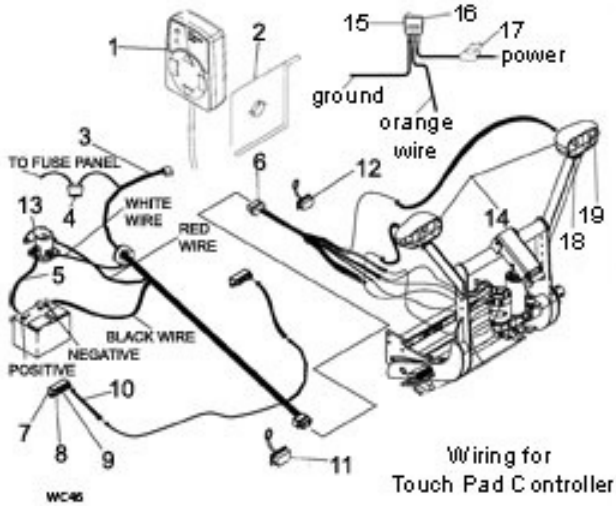
LOC NO	PART NUMBER	DESCRIPTION	PRICE
1	M22690DC	Controller Pistol Grip OEM	\$219.99
1	M22154	Touch Pad OEM	\$260.99
1	1306901	Universal Controller Meyer/Dia	\$178.99
1	1306083	Touchpad Controller White Plug	\$103.49
2	M15673	Bracket Slik Stick/touchpad	\$2.59
3	M15370	Solenoid OEM Meyer	\$22.69
3	1306070	Solenoid For Meyer	\$6.09
4	Z101228	Fuse 10 Amp Atc	\$.59
5	M15764SP	Harness Touchpad White Plug	\$80.29
6	M15671	Cable Red Positive 63 OEM	\$24.49
6	1306120	Cable 63 Red	\$16.29
7	1306340	Battery Cable 22 Red	\$10.89
7	M05024	Power Cable 36 Meyer OEM	\$9.59
7	1306110	Cable 36 Red	\$6.19
8	M15672	Cable Ground Black 42	\$18.39
8	1306125	Cable Ground 42 Black	\$15.39
9	M15669	Weather Plug Solenoid Wires	\$9.59
10	M36248	Weather Plug Power Supply OEM	\$4.29
11	M15811	Pigtail Assm 2 Ground Lead OEM	\$34.09
11	1306117	Pigtail Assm 2 Terminal Ground	\$17.29
12	M22325	Weather Plug For Coupler OEM	\$5.29
13	M22326	Weather Cap for Coupler OEM	
NS	M22798	Pistol Grip Cradle Mount OEM	\$38.49
NS	M22799	Joystick Cradle Mount OEM	
NS	M22815	Cradle Mount Adapter OEM	
NS	M22262	Harness Plow Side E-57H/E-60H	\$155.39
NS	M22261	Harness Truck Side E57H/E60H	

Fax Orders: 248-442-8327

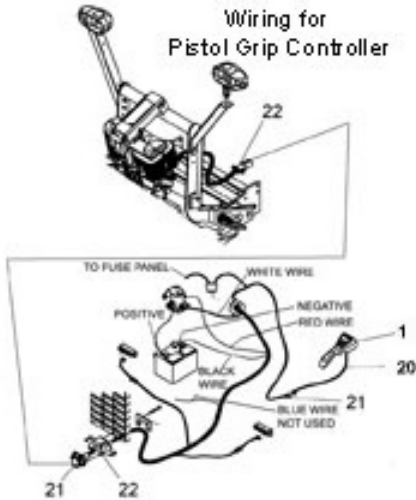
Phone Orders: 1.800.Angelo.2 (1.800.264.3562)

MEYER E58 TOUCH PAD & PISTOL GRIP WIRING

MEYERS E58 TOUCH PAD - E68 - V68 WIRING

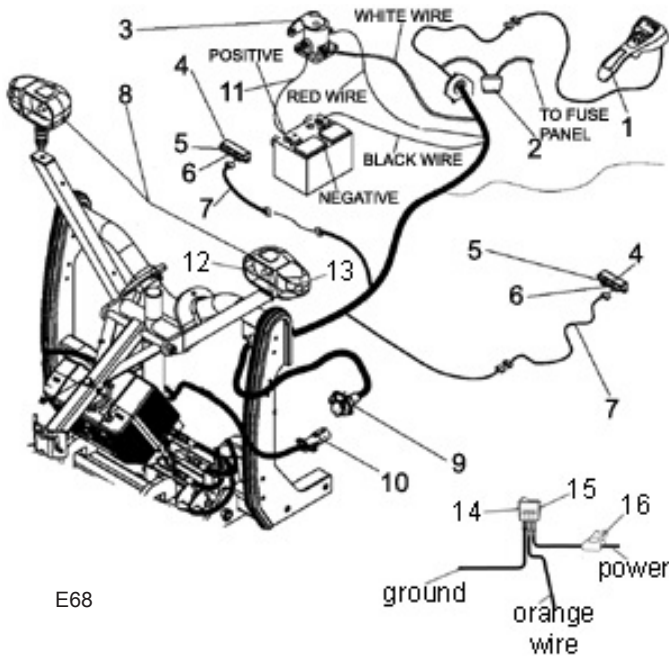


Wiring for Pistol Grip Controller



LOC NO	PART NUMBER	DESCRIPTION	PRICE
1	M22690DC	Controller Pistol Grip OEM	\$219.99
1	M22154	Touch Pad OEM	\$260.99
1	1306901	Universal Controller Meyer/Dia	\$178.99
1	1306083	Touchpad Controller White Plug	\$103.49
2	M15673	Bracket Slik Stick/touchpad	\$2.59
3	M22610	Harness Vehicle Side OEM	\$146.69
4	Z101228	Fuse 10 Amp Atc	\$.59
5	1306340	Battery Cable 22 Red	\$10.89
5	M05024	Power Cable 36 Meyer OEM	\$9.59
5	1306110	Cable 36 Red	\$6.19
6	M22262	Harness Plow Side E-57H/E-60H	\$155.39
6	M22604	Harness Plow Side OEM E-58h	\$137.09
7	M07548	Control Module Kit OEM	\$174.59
8	Z199999	Call For Details 877-264-3562	
9	M07117	Cable/modules Old Style OEM	\$16.59
10	M07118	Wire Mod C to Plow Light OEM	\$26.19
11	M22279	Weather Cover OEM	\$4.39
12	M22263	Weather Cover OEM Meyer	\$6.19
13	M15370	Solenoid OEM Meyer	\$22.69
13	1306070	Solenoid For Meyer	\$6.09
14	M07550	Saber II Light Kit OEM	\$362.19
	M07787	Saber III Light Kit OEM	\$417.19
15	M07119	Rocker Switch OEM	\$3.49
16	M15804	Rocker Switch Bracket OEM	\$2.59
17	Z101235	Fuse 5 Amp Atc	\$.59
18	Z107925	Low Beam Bulb Saber II	\$13.99
18	Z100606	Headlight Bulb Saber I	\$10.49
18	Z107926	High Beam Bulb Saber II	\$7.99
19	Z107927	Bulb Amber Park/turn Saber II	\$2.59
19	Z100416	Bulb-amber Nite Saber	\$3.59
20	M22691S	Harness Truck Side OEM	\$185.89
21	M08059	Hinge Cap Harness Universal	\$68.09
22	M22692	Plow Side Harness OEM	\$145.29
NS	M22798	Pistol Grip Cradle Mount OEM	\$38.49
NS	M22799	Joystick Cradle Mount OEM	
NS	M22815	Cradle Mount Adapter OEM	\$38.49
NS	M22261	Harness Truck Side E57H/E60H	\$155.39

MEYER E68 EXPRESS WIRING

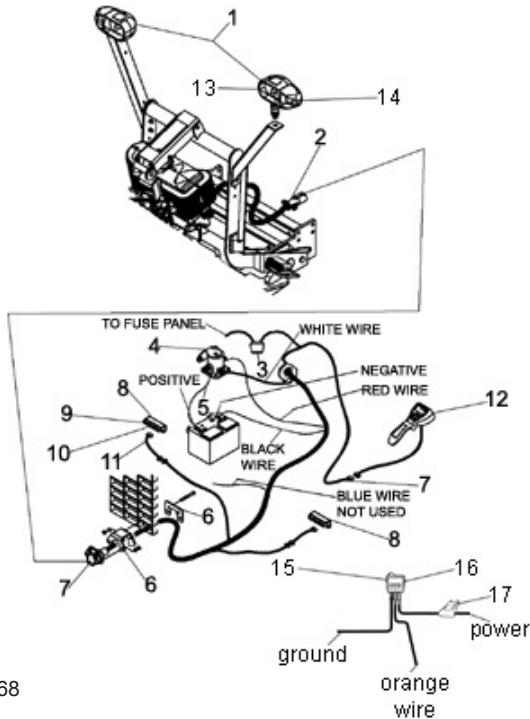


E68

LOC NO	PART NUMBER	DESCRIPTION	PRICE
1	M22693DC	Controller Xpress E-68 OEM	\$338.59
2	Z101228	Fuse 10 Amp Atc	\$.59

LOC NO	PART NUMBER	DESCRIPTION	PRICE
3	M15370	Solenoid OEM Meyer	\$22.69
3	1306070	Solenoid For Meyer	\$6.09
4	M07548	Control Module Kit OEM	\$174.59
5	Z199999	Call For Details 877-264-3562	
6	M07117	Cable/modules Old Style OEM	\$16.59
7	M07118	Wire Mod C to Plow Light OEM	\$26.19
8	M07550	Saber II Light Kit OEM	\$362.19
9	M22691S	Harness Truck Side OEM	\$219.99
10	M22694	Plow Side Harness OEM	\$155.39
11	1306340	Battery Cable 22 Red	\$10.89
11	M05024	Power Cable 36 Meyer OEM	\$9.59
11	1306110	Cable 36 Red	\$6.19
12	Z107926	High Beam Bulb Saber II	\$7.99
12	Z107925	Low Beam Bulb Saber II	\$13.99
12	Z100606	Headlight Bulb Saber I	\$10.49
13	Z107927	Bulb Amber Park/turn Saber II	\$2.59
13	Z100416	Bulb-amber Nite Saber	\$3.49
14	M07119	Rocker Switch OEM	
15	M15804	Rocker Switch Bracket OEM	\$2.59
16	Z101235	Fuse 5 Amp Atc	\$.59

MEYER V-68 SUPER V WIRING



V68

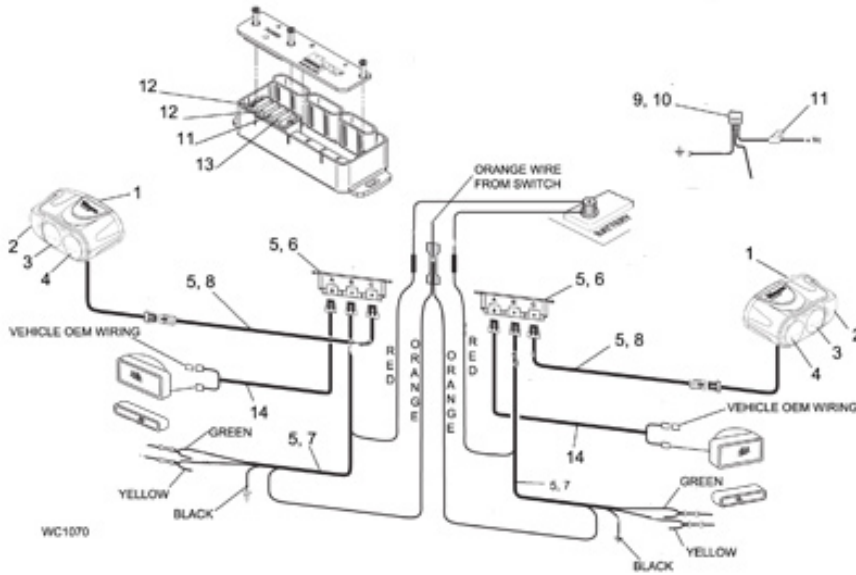
LOC NO	PART NUMBER	DESCRIPTION	PRICE
1	M07550	Saber II Light Kit OEM	\$362.19
2	M22696	Harness Super-v Plow Side OEM	\$117.89

LOC NO	PART NUMBER	DESCRIPTION	PRICE
3	Z101228	Fuse 10 Amp Atc	\$.59
4	M15370	Solenoid OEM Meyer	\$22.69
4	1306070	Solenoid For Meyer	\$6.09
5	1306340	Battery Cable 22 Red	\$10.89
5	M05024	Power Cable 36 Meyer OEM	\$9.59
5	1306110	Cable 36 Red	\$6.19
6	M08202	Mounting Bracket OEM	\$43.69
7	M22691S	Harness Truck Side OEM	\$219.99
8	M07548	Control Module Kit OEM	\$174.59
9	Z199999	Call For Details 877-264-3562	
10	M07117	Cable/modules Old Style OEM	\$16.59
11	M07118	Wire Mod C to Plow Light OEM	\$26.19
12	M22695DC	Pistol Grip Controler DLx	\$219.99
13	Z107925	Low Beam Bulb Saber II	\$13.99
13	Z107926	High Beam Bulb Saber II	\$7.99
13	Z100606	Headlight Bulb Saber I	\$10.49
14	Z107927	Bulb Amber Park/turn Saber II	\$2.59
14	Z100416	Bulb-amber Nite Saber	\$3.49
15	M07119	Rocker Switch OEM	
16	M15804	Rocker Switch Bracket OEM	\$2.59
17	Z101235	Fuse 5 Amp Atc	\$.59

Fax Orders: 248-442-8327

Phone Orders: 1.800.Angelo.2 (1.800.264.3562)

SABER LIGHT WIRING



LOC NO	PART NUMBER	DESCRIPTION	PRICE
1	M07550	Saber II Light Kit OEM	\$362.19
	M07787	Saber III Light Kit OEM	\$417.19
2	Z100416	Bulb-amber Nite Saber	\$3.49
2	Z107927	Bulb Amber Park/turn Saber II	\$2.59
3	Z100606	Headlight Bulb Saber I	\$10.49
3	Z107926	High Beam Bulb Saber II	\$7.99
4	Z107925	Low Beam Bulb Saber II	\$13.99
5	M07548	Control Module Kit OEM	\$174.59
6	M07347	Control Module 12 Volt OEM	\$107.39
7	M07609	Cable Harness OEM	\$14.89

LOC NO	PART NUMBER	DESCRIPTION	PRICE
8	M07118	Wire Mod C to Plow Light OEM	\$26.19
9	M08701	Switch & Hardware Bag OEM	\$15.79
10	M07119	Rocker Switch OEM	\$3.49
11	Z101235	Fuse 5 Amp Atc	\$.59
12	Z101228	Fuse 10 Amp Atc	
13	Z109302	Fuse 2 Amp Ato/atc Blade	\$.49
14	SEE CHART ON PAGE 55		
NS	Z101066	Dielectric Grease 1/2 Oz Tube	\$6.19
	Z126406	Dielectric Grease .33 Oz Tube	\$4.79
	Z126407	Dielectric Grease 3 Oz Tube	\$13.49

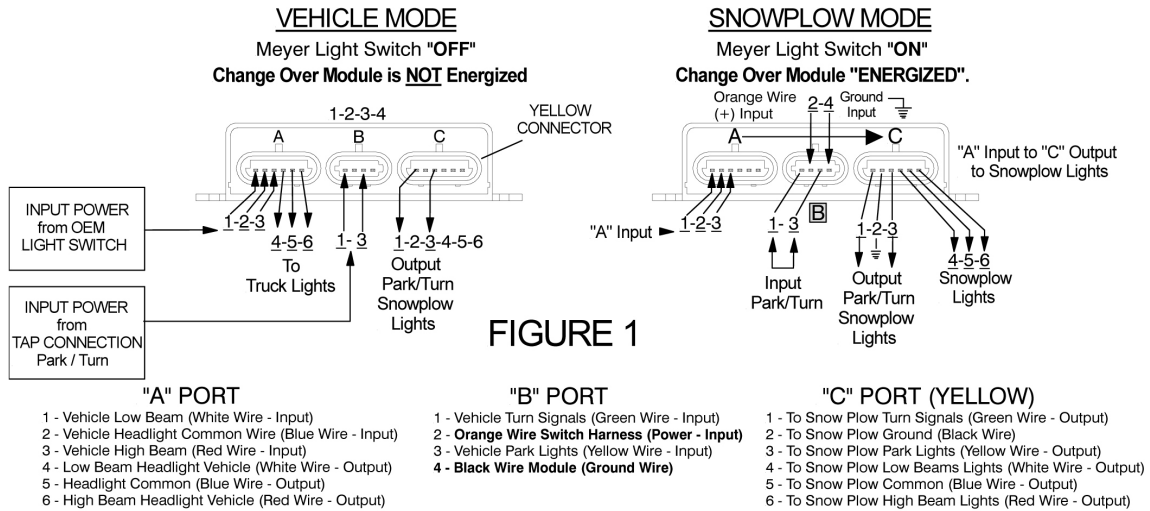


FIGURE 1

NITE SABER LIGHT ADAPTORS

ADAPTER KIT NO.	HEADLAMP BULB TYPE		MANUFACTURER/VEHICLE MODEL YEAR	HEADLIGHT CONFIGURATION
07344	H13	H9008	Chevy X88 Utility 2007 thru 2013	
07353	H11 Low	HB3 High H9005	Toyota Tundra 2007 and later	
07400	HB4 Low H9006	HB3 High H9005	Chevy/GMC 2003 thru 2006 vehicles Avalanche 2003 thru 2006 DRL separate from truck headlamps	
07403	TBA		International Trucks 2000 and up Vehicle must have the manufacturer's snow plow lighting option 08THJ Special light connector is located behind the left headlamp	
07417	H13 H9008		Ford F Series Excursion 2005 thru 2012	
	H11 Low	HB3 High	Dodge 2010 and later	
07744	H13 H9008		Dodge 2013 and later	
07745	HID		Dodge Laramie HID 2013 and later	
07747	HID		Ford F-150 HID 2013 and later	
07774	H11	HB3	Chevy Suburban/GMC Yukon 2015 and later	
07777*	HID		Chevy/GMC K1500 HID 2014 thru 2017	
			Chevy/GMC K2500/3500 HID 2015 and later	
07778	H11	HB3	Chevy/GMC Colorado/Canyon 2015 and later	
07779	H11	9005	Ford F-150 2015 and later	
07781	LED		Chevy/GMC LED 2016 and later	
07782	H11	H9	Toyota Tacoma 2015 and later	
07813	H13	H13	Ford F-250 2017 and later halogen bulb	
07815	LED		Ford F-250 2017 and later LED	
08143	HB4 Low H9006	HB3 High H9005	Chevy Trailblazer 2002 and later	

ADAPTER KIT NO.	HEADLAMP BULB TYPE		MANUFACTURER/VEHICLE MODEL YEAR	HEADLIGHT CONFIGURATION
07101	2A1 Low 4652 H4656	1A1 High 4651 H4651	Chevy/GMC 1988 thru 2000	
07102	HB5 H9007		Ford F Series 1999 thru 2004 Dodge W Series 2003 thru 2004	
07103	LF Low H4703	UF High H4701		
07104	HB4 Low H9006	HB3 High H9005	Chevy/GMC 1988 thru 2000	
07105	2E1 H4666 H6545 HP6545			
07106	HB1 H9004		Dodge W Series 1999 thru 2002	
07108	HB4 Low H9006	HB3 High H9005	Chevy/GMC 1988 thru 2002 vehicles Avalanche 2002 thru 2003 DRL separate from truck headlamps	
07180	2D1 6014 H6014 6015 H6017 H6024	2B1 6052 H6052 H6054 HP6054 H6054 H6054LL	HB2 H9003 H9003LL Chevy/GMC 1988 thru 2000 Ford F Series Excursion 2005 and later	
07190	HB5 H9007	HB1 H9004	Dodge Ram Sport 1999 US models only Quad headlamps	
07205	HB4 Low H9006	HB3 High H9005	Nissan Titan 2005 and later	
07213	HB4 Low H9006	HB3 High H9005	Chevy Blazer, S10 & Sonoma 1998 and up	
07221	HB5 H9007	HB1 H9004	Dodge Ram Sport 1999 and up US and Canadian models Quad headlamps	
07333	H11 Low	HB3 High H9005	Chevy X88/GMC Z88 K1500/2500 Series Tahoe 1/2 ton Suburban 3/4 ton 2007 thru 2013 DRL on headlamps	
07334	H13 H9008		GMC Z88 Utility Yukon 1/2 ton Yukon XL 3/4 ton 2007 thru 2013 DRL on headlamps	
07343	H13 H9008		GMC Z88 Utility 2007 thru 2013	

PART NUMBER	DESCRIPTION	PRICE
M07344	Harness Saber Module Kit 07 GMC/Tahoe	\$310.49
M07353	Harness Saber 07 Tundra HB3	\$127.09
M07400	Harness Saber DRL Module Kit 03 GMC	
M07403	Harness International	\$127.09
M07417	Harness Ford/Dodge OEM	\$62.99
M07744	Harness Saber Dodge	\$274.89
M07745	Harness Saber Dodge	\$215.69
M07747	Harness Saber Ford F150 H.I.D.	\$274.89
M07777	Harness Saber Gm 14 & Up	\$301.99
M07778	Harness Saber Colorado/Canyon	\$183.29
M07779	Harness Saber Ford F150	\$274.89
M07781	Harness Saber Gm Led 16 & Up	
M07782	Harness Saber Tacoma	\$121.29
M07813	Harness Saber Ford SD Halogen	\$274.89
M07815	Harness Saber Ford SD Led	

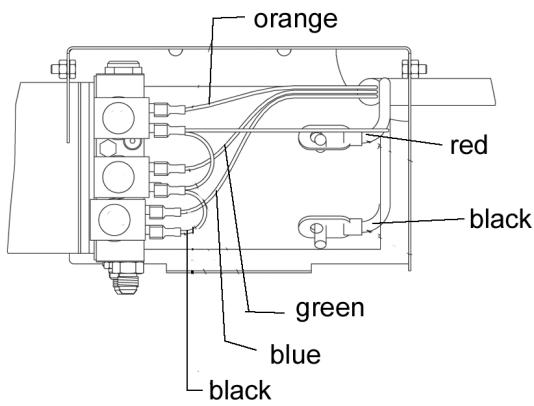
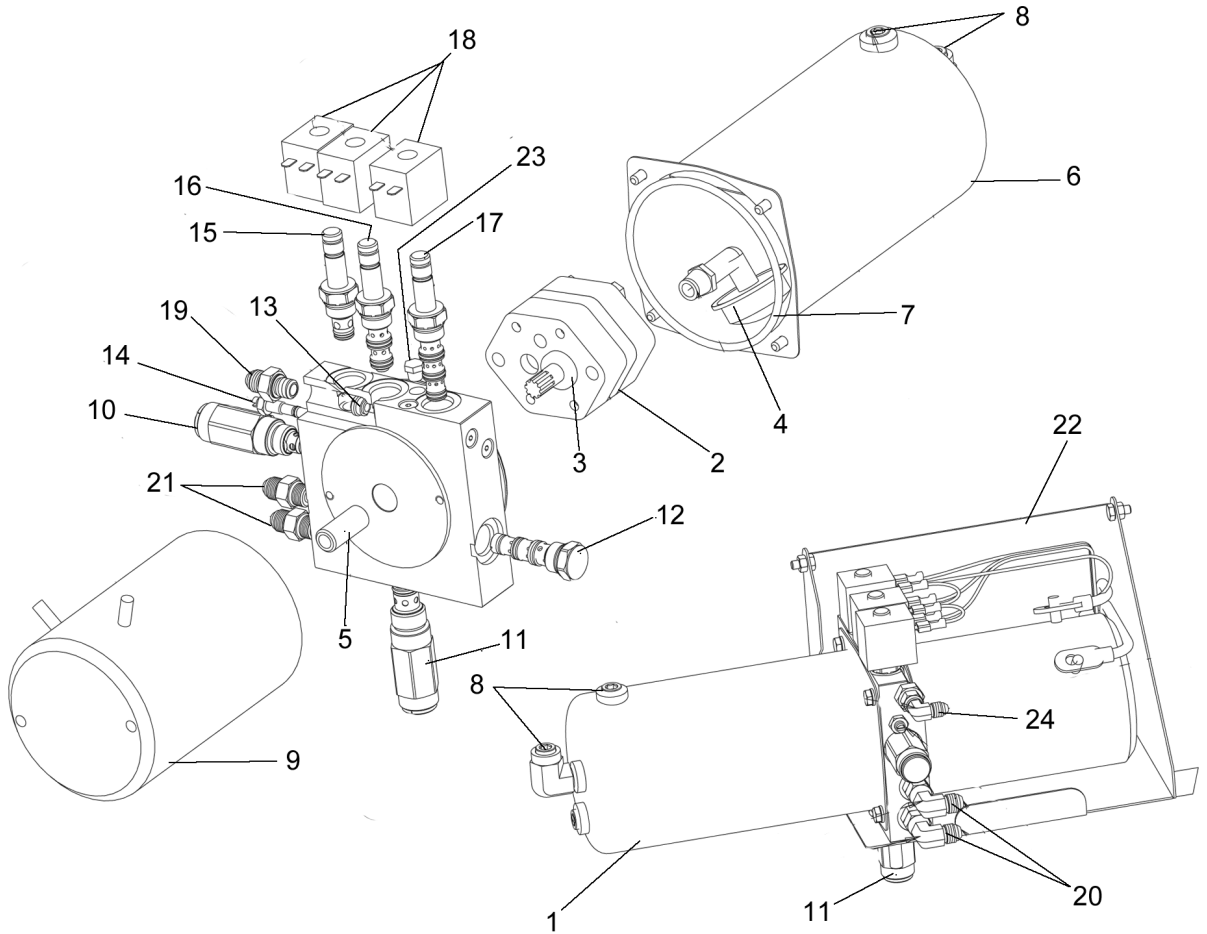
PART NUMBER	DESCRIPTION	PRICE
M08143	Harness Saber Chevy Trailblazer	\$118.59
M07101	Harness Saber Gmc/Mitsubishi	\$62.99
M07102	Harness Saber Ford/Dodge OEM	
M07103	Harness Saber Gmc/Jeep/Chevy	\$62.99
M07104	Harness Saber Gmc/Jeep/Chevy	
M07105	Harness Saber Gmc/Chevy/Dodge	\$62.99
M07106	Harness Saber Gmc/Ford/Dodge	
M07108	Harness Saber DRL Chevy OEM	\$127.09
M07180	Harness Saber Chevy/Gmc/Dodge/Ford	\$62.99
M07190	Harness Saber Dodge Sport OEM	\$63.79
M07205	Harness Saber Nissan OEM	\$167.59
M07213	Harness Saber S10 OEM	\$89.19
M07221	Harness Saber Dodge OEM	\$109.19
M07333	Harness Adapter 07 K1500/2500	\$125.89
M07334	Harness Adapter 07 Gmc/Yukon	\$141.39
M07343	Harness Adapter 07 Gmc/Yukon	\$217.29

Fax Orders: 248-442-8327

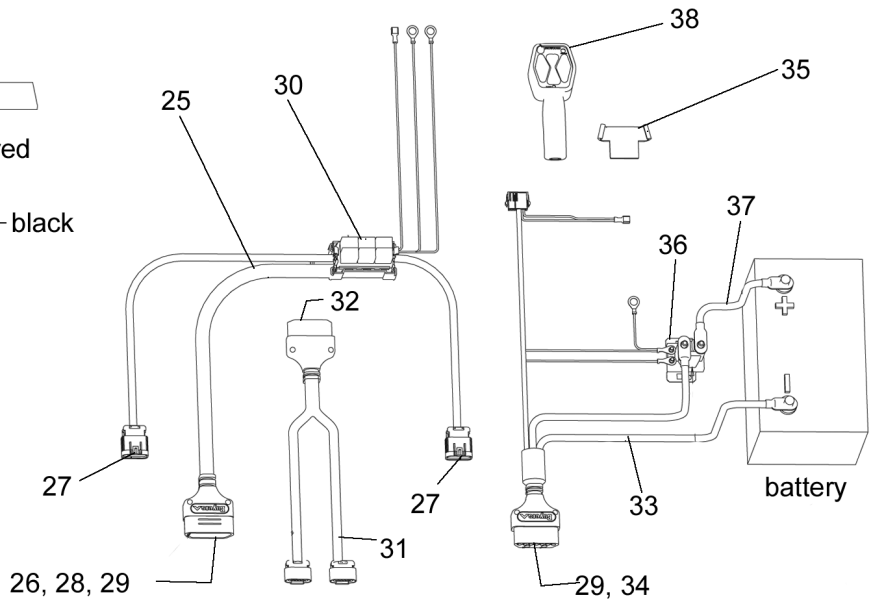
Phone Orders: 1.800.Angelo.2 (1.800.264.3562)

SNOWDOGG CM EX HD MD TE POWER UNIT WIRING

SNOWDOGG 1ST & 2ND GENERATION HYDRAULIC POWER UNIT WIRING



WC1082



SNOWDOGG CM EX HD MD TE POWER UNIT WIRING

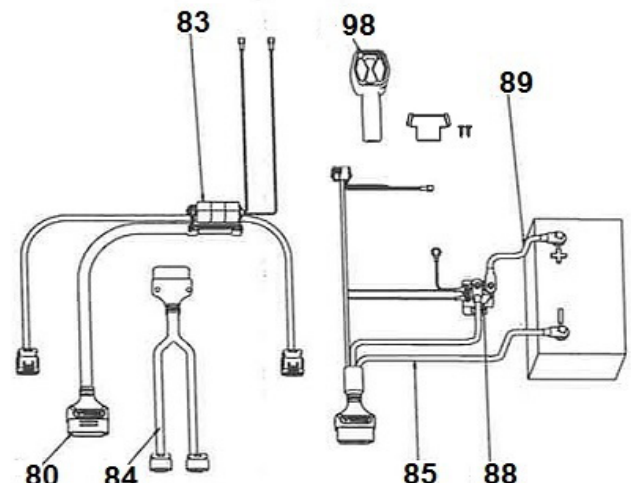
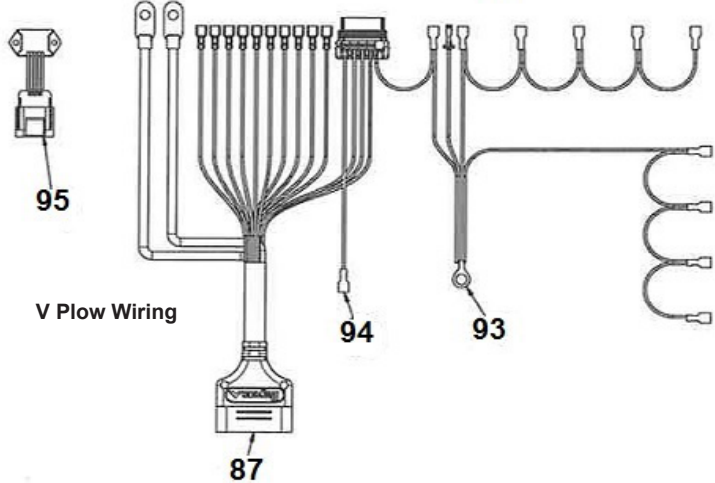
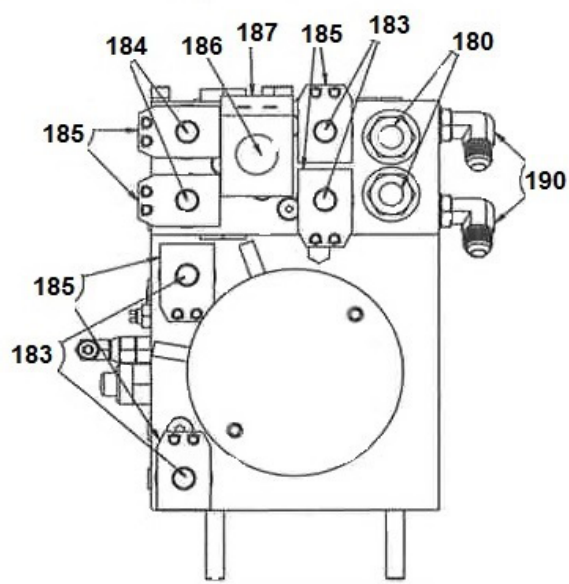
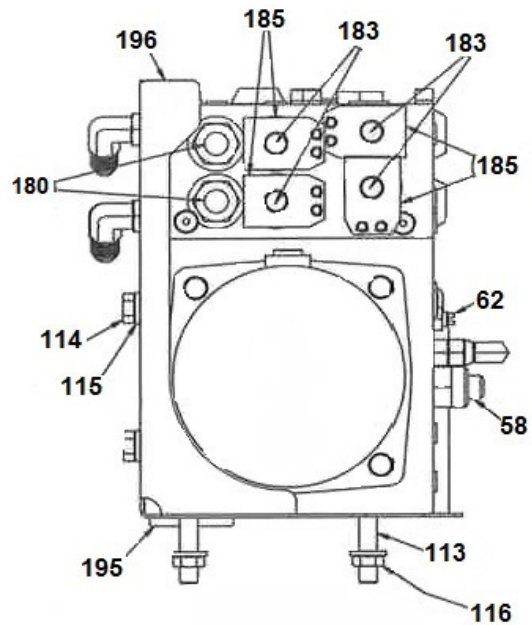
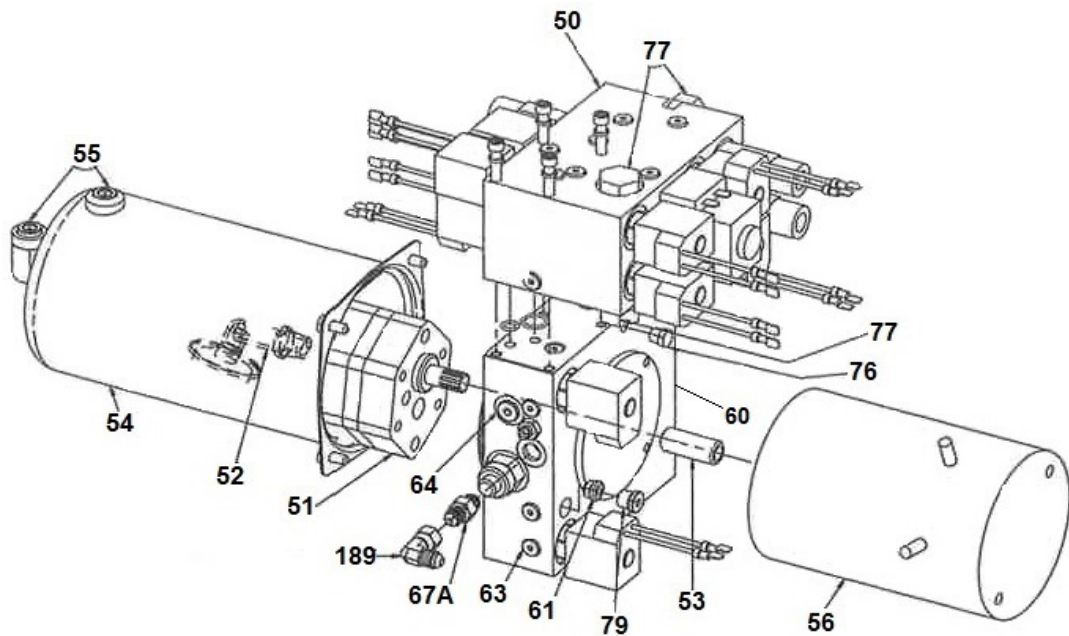
LOC NO	PART NUMBER	DESCRIPTION	PRICE
1	16151000	Power Unit Ht300	\$1029.39
2	16151100	Pump Ht300/hv600	\$132.69
3	16159116	Seal Shaft Power Unit	\$3.39
4	16151102	Strainer Inlet Ht300/hv600	\$5.89
5	16151106	Coupler Spline Ht300	\$12.39
6	16151110	Reservoir Kit Ht300/hv600	\$22.69
7	16159114	Seal Kit Reservoir Ht300	\$1.69
8	16151112	Reservoir Plug Ht300/hv600	\$1.97
9	16151200	Motor	\$174.59
10	16151302	Relief Valve Ht300	\$20.59
11	16151304	Cross Over Valve Ht300	\$72.79
12	16151306	Valve Angle Lock Ht300	\$66.69
13	16151308	Valve Lift Check Ht300	\$8.29
13	16900010	Tool Lift Check Removal	\$10.39
14	16151310	Valve Lowering Speed Ht300	\$4.29
15	16151312	Valve Drop Solenoid Sa Ht300	\$39.99
16	16151314	Valve Lift/angle Sb Ht300	\$56.09
17	16151316	Valve Left/right Sc Ht300	\$58.39
18	16151318	Coil Sa Sb Sc 10v Ht300	\$15.19
19	16151320	Fitting Manifold Lift Ht300	\$20.69
20	16151322	Angle Port Fitting Ht300	\$2.19
21	16151324	Fitting Manifold Port Ht300	\$1.49
22	16152110	Tray Sst Ht300 For Hyd Unit	\$45.49
	16152128	Grommet Hv	\$.49
23	16151326	Plug Vent Ht300	\$4.69
24	16151321	Fitting Lift 90 Degree Swivel	\$2.39
25	16160100	Harness Truck Side	\$172.89
26	16160110	Connector Repair End	\$41.89
27	16160112	Connector Kit Headlight	\$9.39
28	16160116	Mount Plate Relay Harness	\$2.99
29	16160510	Harness Plug Snowdogg Plows	\$4.49
29	16160404	Connector Spring Cage Small	\$1.59
29	16160402	Connector Spring Cage (2) Large	\$3.59
30	16160114	Relay Individual	\$9.99
31	16160200	Harness Plow Light	\$78.79
32	16160512	Harness Cap Snow Dogg Plows	\$4.39
33	16160300	Harness Truck Control	\$162.59
34	16160310	Connector Repair	\$96.09
35	16160620	Controller Mount Kit	\$10.99
36	16160410	Relay Motor Ht300/hv600	\$27.79
37	16160500	Battery Cable Snowdogg Plows	\$22.79
38	16160600	Controller Md Hd Ex	\$202.69
38	16160610	Harness Extension Controller	\$16.29
38	16160630	Keypad Rubber Snowdogg Control	\$10.19

Fax Orders: 248-442-8327

Phone Orders: 1.800.Angelo.2 (1.800.264.3562)

SNOWDOGG VMD VXF POWER UNIT WIRING

SNOWDOGG 1ST & 2ND GENERATION HYDRAULIC POWER UNIT WIRING



Trade names, Meyer, Western, etc. used in this catalog are for reference purposes only. Angelo's Supplies, Inc. doesn't imply that the products are of these manufacturers. Prices subject to change without notice. All sales are final on electrical items. All authorized returns are subject to a 30% restocking fee. All special order items must be prepaid and sales are final. NO returns or exchanges will be permitted. NS-not shown.

SNOWDOGG VMD VXF POWER UNIT WIRING

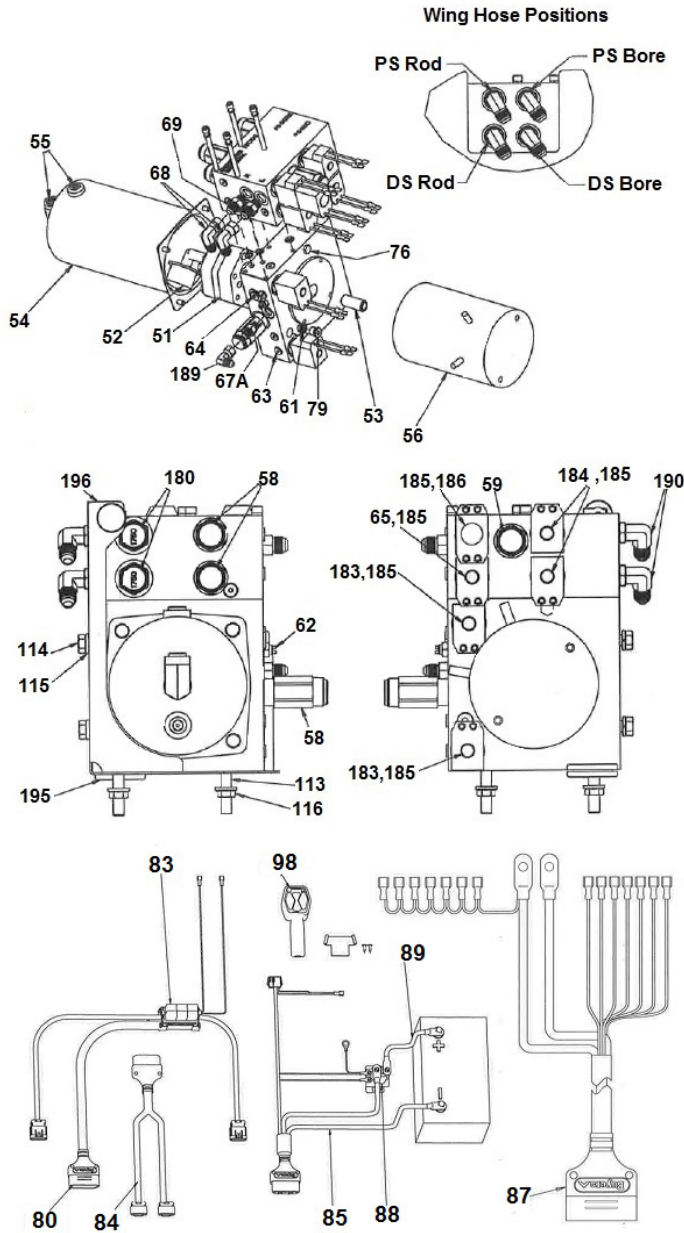
LOC NO	PART NUMBER	DESCRIPTION	PRICE
1	16152000B	Power Unit HV600	\$1424.99
50	16152040	Block Assy Top	\$558.99
51	16151100	Pump HT300/HV600	\$132.69
	16159116	Shaft Seal Power Unit	\$3.39
52	16151102	Strainer Inlet HT300/HV600	\$5.89
53	16152004	Coupler Spline HV600	\$12.39
54	16151110	Reservoir Kit HT300/HV600	\$22.69
	16159114	Seal Kit Reservoir HT300	\$1.69
55	16151112	Reservoir Plug HT300/HV600	\$1.99
	16151116	Relief Reservoir 12psi	\$8.39
56	16151200	Motor MD	\$174.59
58	16151302	Relief Valve HT300	\$20.59
60	16152010	Manifold Center Hv No Valves	\$164.19
61	16900010	Check Valve Removal Tool	\$10.39
	16151308	Lift Check Valve HT300	\$8.29
62	16151310	Lowering Valve HT300	\$4.29
63	16152016	O-Ring Plug 2 SAE	\$1.99
64	16152018	O Ring Plug 4 SAE	\$1.99
67A	16151325	Cylinder Lift Fitting MD68	\$1.69
76	16151326	Vent Plug HT300	\$4.69
77	16152330	Check Valve HV600	\$12.49
79	16152332	Lift Check Valve Plug 1/4 HV	\$5.89
80	16160100	Truck Light Relay Harness	\$172.89
80	16160110	Connector Repair End	\$41.89
80	16160112	Connector Kit for Headlight	\$9.39
80	16160116	Relay Harness Mounting Bracket	\$2.99
80	16160404	Connector Spring Cage Small	\$1.59
80	16160510	Grill Connector Harness Plug	\$4.49
83	16160114	Relay Individual	\$9.99
84	16160200	Plow Light Harness	\$78.79
	16160250	Plowside Light Harness (Gen 2)	\$78.79
85	16160310	Connector Repair Kit For 16160300	\$96.09
	16160300	Control Harness Truck Side	\$162.59
87	16160402	Connector Spring Cage Pair	\$3.59
87	16160512	Harness Cap Snow Dogg Plows	\$4.39
87	16161400B	Harness V Plow Hpu	\$85.49
88	16160410	Relay Motor HT300/HV600	\$27.79

LOC NO	PART NUMBER	DESCRIPTION	PRICE
89	16160500	Battery Cable Snowdogg Plows	\$22.79
93	16161420B	Ground Harness V-plow Power Unit	\$7.79
94	16161430	Harness V-Plow Relay To S8	\$1.09
95	16160448	Relay Module HV600	\$85.19
98	16160610	Harness Extension Controller	\$16.29
98	16160620	Controller Mount Kit	\$10.99
98	16160630	Keypad Rubber Snowdogg Control	\$10.19
98	16160650	Cable Coil Snowdogg Controller	\$64.59
98	16161600	Controller VX Plow (First Generation)	\$249.29
98	16161640	Circuit Board For 16161600	\$151.49
98	16160652	Controller Harness For 16161601	\$59.79
98	16161601A	Controller V-Plow VX (Gen 2)	\$265.89
98	16161632	Replacement Rubber Keypad For 16161601 & 16162601	\$43.29
98	16161642	Circuit Board For 16161601	\$111.29
113	16101016	Stud 3/8 X 2	\$5.59
114	16101017	Screw Cap 3/8 X 3/4	\$3.39
115	16101018	Lock Washer 3/8 Zinc	\$1.19
116	16101019	Nut 3/8	\$1.19
180	16152334	Angle Relief Valve 3000 PSI	\$30.19
183	16151312	Drop Solenoid Valve SA HT300	\$39.99
183	16159102	Seal Kit 16151312/16151330	\$6.09
183	16159103	Screen 16151312	\$4.89
184	16151330	Cartridge Valve, S2A S3A VX	\$68.49
185	16152336	Coil S1-S7 W/Flying Leads VXXP	\$17.49
186	16159109	Seal Kit 16152340	\$9.09
187	16152342	Coil S8 Dual Spade HV	\$54.09
189	16151321	Manifold Lift Port 90° Fitting	\$2.39
190	16152346	Cylinder Angle Port Fitting HV	\$1.89
195	16152128	Grommet For Power Unit Tray (1st Gen)	\$4.49
196	16152130	Hydraulic Power Unit Tray HV (1st Gen)	\$28.99
N/S	16160104	Harness, Grill To Relay	\$47.29
N/S	16160511	Harness Cap/Retainer (Gen 2)	\$3.09
N/S	16160513	Harness Plug/Retainer (Gen 2)	\$3.09
N/S	16160302	Harness Truck Side Control (Gen 2)	\$162.59

Don't forget to change your hydraulic fluid & filter annually to keep your hydraulic unit running smoothly

SNOWDOGG XP POWER UNIT & WIRING

SNOWDOGG XP POWER UNIT WIRING



Don't forget to change your hydraulic fluid & filter annually to keep your hydraulic unit running smoothly

SNOWDOGG XP POWER UNIT & WIRING

LOC NO	PART NUMBER	DESCRIPTION	PRICE
50	16153000	Power Unit XP	\$1295.79
50	16152010	Manifold Center Hv No Valves	\$164.19
50	16152050	Block Assy Top	\$479.79
50	16152052	Block Assy Top No Valves SP	\$99.39
51	16151100	Pump HT300/HV600	\$132.69
51	16159116	Shaft Seal Power Unit	\$3.39
52	16151102	Strainer Inlet HT300/HV600	\$5.89
53	16152004	Coupler Spline HV600	\$12.39
54	16159114	Seal Kit Reservoir HT300	\$1.69
54	16151110	Reservoir Kit HT300/HV600	\$22.69
55	16151112	Reservoir Plug HT300/HV600	\$1.97
55	16151116	Relief Reservoir 12psi	\$8.39
56	16151200	Motor MD	\$174.59
58	16151302	Relief Valve HT300	\$20.59
59	16151304	Cross Over Valve HT300	\$72.79
61	16900010	Check Valve Removal Tool	\$10.39
61	16151308	Lift Check Valve HT300	\$8.29
62	16151310	Lowering Valve HT300	\$4.29
63	16152016	O-Ring Plug 2 SAE	\$1.99
64	16152018	O Ring Plug 4 SAE	\$1.99
65	16151316	Left/Right Valve SC HT300	\$58.39
65	16159106	Seal Kit 16151316	\$9.09
67A	16151325	Cylinder Lift Fitting MD68	\$1.69
68	16151322	Angle Port Fitting HT300	\$2.19
69	16151324	Fitting Manifold Port HT300	\$1.49
76	16151326	Vent Plug HT300	\$4.69
79	16152332	Lift Check Valve Plug 1/4 HV	\$5.89
80	16160100	Truck Light Relay Harness	\$172.89
80	16160110	Connector Repair End	\$41.89
80	16160112	Connector Kit for Headlight	\$9.39
80	16160116	Relay Harness Mounting Bracket	\$2.99
80	16160404	Connector Spring Cage Small	\$1.59

LOC NO	PART NUMBER	DESCRIPTION	PRICE
80	16160510	Harness Plug Snowdogg Plows	\$4.49
83	16160114	Relay Individual	\$9.99
84	16160200	Plow Light Harness	\$78.79
84	16160512	Harness Cap Snow Dogg Plows	\$4.39
85	16160300	Control Harness Truck Side	\$162.59
85	16160310	Connector Repair Kit	\$96.09
87	16162400	Harness XP	\$85.49
87	16160402	Connector Spring Cage Pair	\$3.59
88	16160410	Relay Motor HT300/HV600	\$27.79
89	16160500	Battery Cable Snowdogg Plows	\$22.79
98	16160610	Harness Extension Controller	\$16.29
98	16160620	Controller Mount Kit	\$10.99
98	16160630	Keypad Rubber Snowdogg Control	\$10.19
98	16160650	Cable Coil Snowdogg Controller	\$64.59
98	16162600	Controller XP	\$249.29
98	16162640	Circuit Board For 16162600	\$151.49
113	16101016	Stud 3/8 X 2	\$5.59
114	16101017	Screw Cap 3/8 X 3/4	\$3.39
115	16101018	Lock Washer 3/8 Zinc	\$1.19
116	16101019	Nut 3/8	\$1.19
180	16151336	Relief Valve XP 1750 PSI	\$36.19
183	16151312	Drop Solenoid Valve SA HT300	\$39.99
183	16159102	Seal Kit 16151312/16151330	\$6.09
183	16159103	Screen 16151312	\$4.89
184	16151332	Valve S5/S6 XP	\$106.69
184	16159107	Seal Kit 16151332	\$9.09
185	16152336	Coil S1-S7 W/Flying Leads VXXP	\$17.49
186	16151334	Valve S2/S3 XP	\$87.79
189	16151321	Manifold Lift Port 90° Fitting	\$2.39
190	16152346	Cylinder Angle Port Fitting HV	\$1.89
195	16152128	Grommet For Power Unit Tray	\$4.49
196	16152130	Hydraulic Power Unit Tray HV	\$28.99



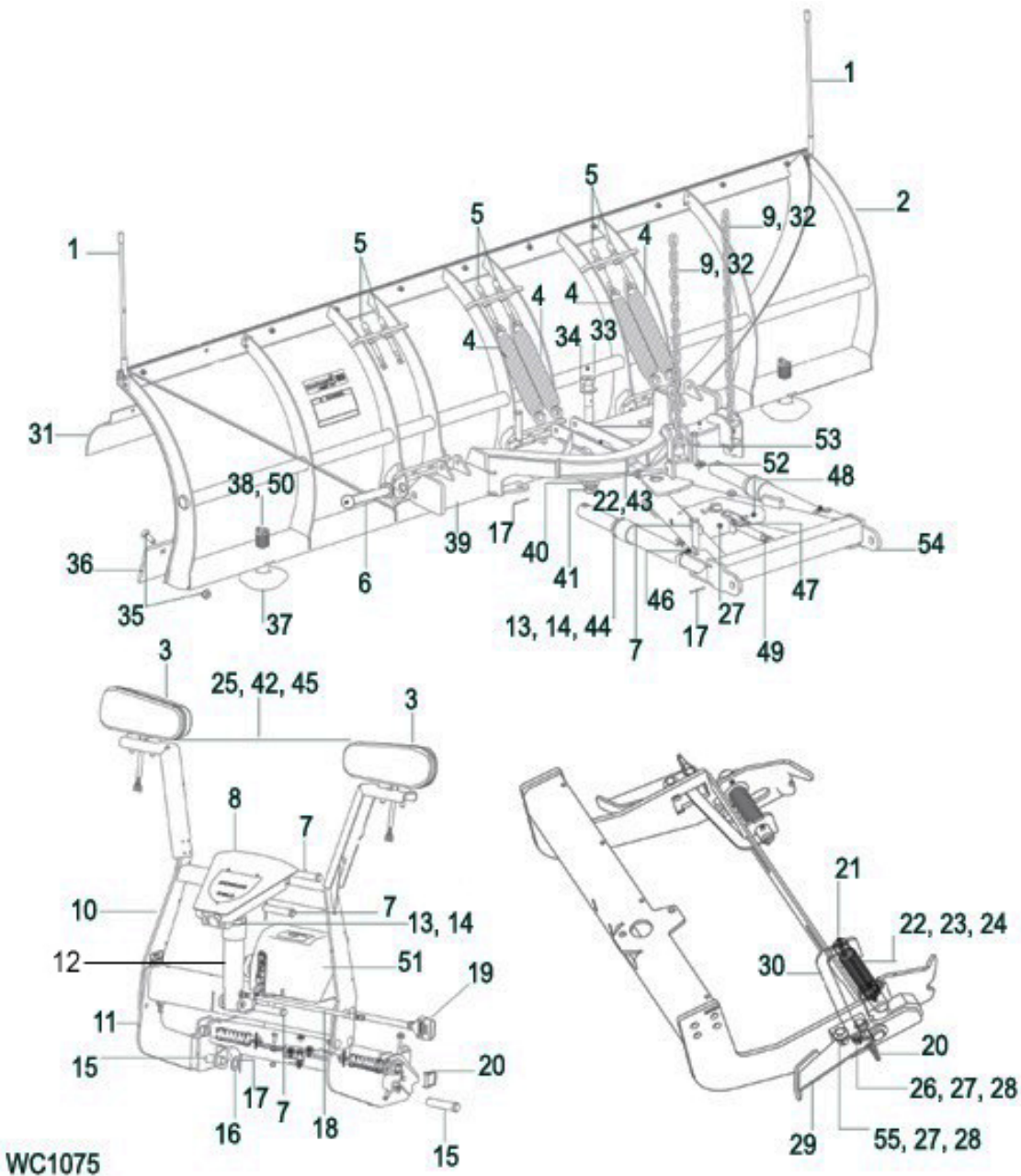
PART NUMBER	DESCRIPTION	Price
8892200	Ultra-Thin Strobe .26in, 6 Amber LEDs, 23 Flash Patterns, 12-24V, Waterproof	\$43.19
8892201	Ultra-Thin Strobe .26in, 6 Clear LEDs, 23 Flash Patterns, 12-24V, Waterproof	
8892202	Ultra-Thin Strobe .26in, 6 Amber/Clear LEDs, 23 Flash Patterns, 12-24V, Waterproof	\$43.19
8892209	Ultra-Thin Strobe .26in, 6 Green LEDs, 23 Flash Patterns, 12-24V, Waterproof	
8892210	Ultra-Thin Strobe .26in, 6 Amber/Green LEDs, 23 Flash Patterns, 12-24V, Waterproof	\$43.19
8892225	Black Bracket for Ultra-Thin Strobe LEDs	\$10.99

Fax Orders: 248-442-8327

Phone Orders: 1.800.Angelo.2 (1.800.264.3562)

SNOWDOGG CM PLOW PARTS

SNOWDOGG CM REPLACEMENT PARTS



Don't forget to change your hydraulic fluid & filter annually to keep your hydraulic unit running smoothly

SNOWDOGG CM PLOW PARTS

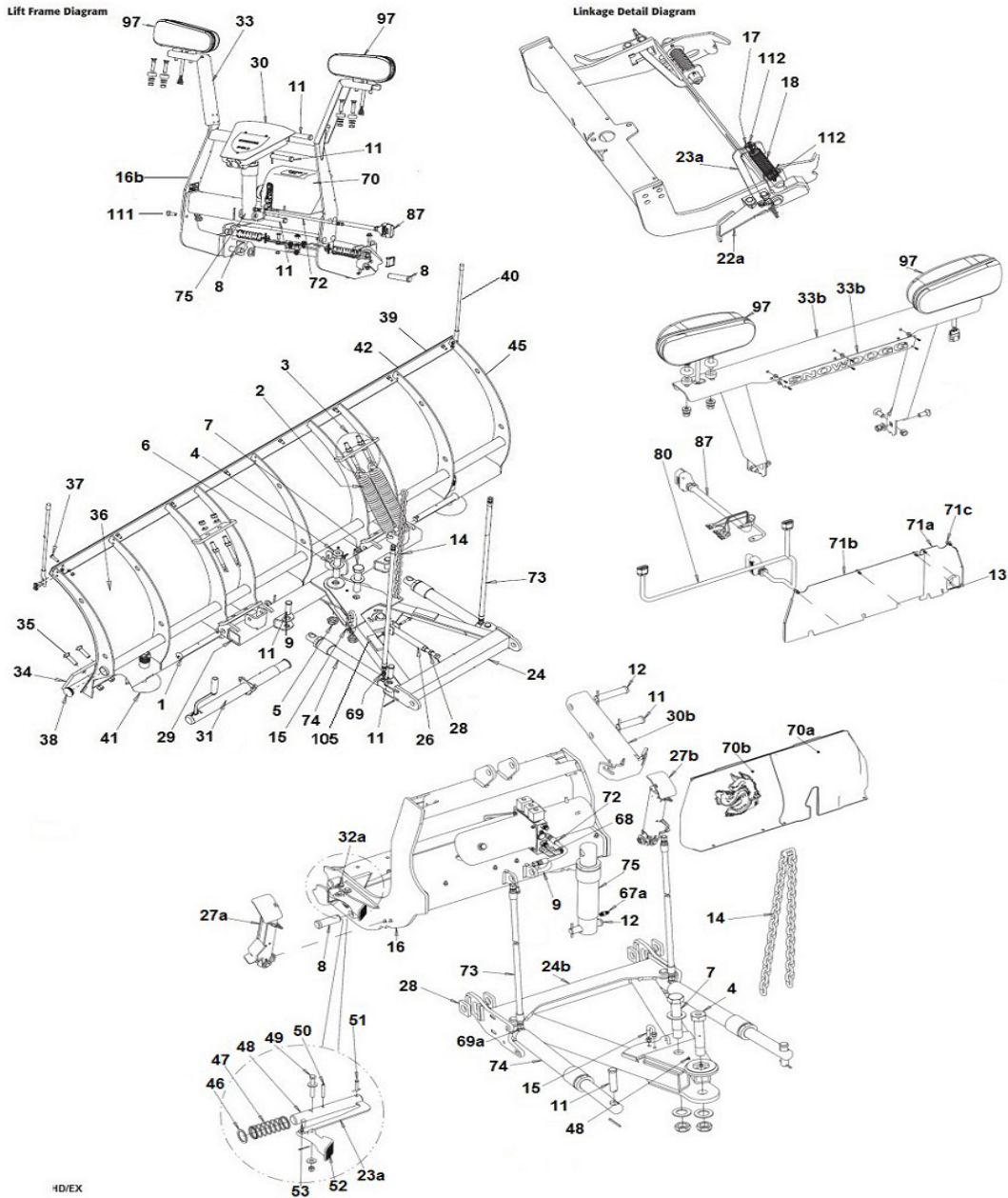
LOC NO	PART NUMBER	DESCRIPTION	PRICE
1	16122120	Blade Guide Kit Cm	\$28.59
2	16020820	Moldboard Assembly CM100	\$3010.59
3	16160700	Light Kit SnowDogg Plow	\$204.29
3	16160710	Light Drive Side	\$102.59
3	16160712	Light Housig Dr Side	\$24.69
3	16160720	Light Pass Side	\$102.59
3	16160722	Light Housing Pass Side	\$24.69
4	16101200	Trip Spring Snowdogg MD/HD/EX	\$14.19
5	1302005	Eyebolt W/Nuts 5/8	\$2.39
6	16101130	Trip Pin Kit CM X3	\$26.89
7	16102122	Pin Clevis 7/8 X 4	\$2.99
8	16111400	Chain Lift Assembly	\$88.69
9	16103000	Lift Chain Snow Dogg Plows	\$6.59
10	16111620	Lift Frame Upper HD EX	\$212.69
11	16111612	Lift Frame Lower Weldment	\$420.29
12	16154200	Cylinder Lift 2 X6 HD EX VX CM	\$139.39
13	16154202	Packing Kit 2 X6 Lift Cylinder	\$15.89
14	16154204	Nut 2 W/Wiper	\$24.99
15	16102100	Pin Clevis 1 X 4	\$4.29
16	16102104	Washer 1"	\$.39
17	16102102	Cotter Pin 3/16 X 2	\$.39
18	16153100	Hose Lift 1/4 x 18	\$11.39
19	16160402	Connector Spring Cage Pair	\$3.59
19	16160512	Harness Cap Snow Dogg Plows	\$4.39
20	16111124	Pin Snapper 2-1/2	\$.69
21	16111102	Pin Lock HD EX VX CM	\$14.79
22	16101010	Screw Cap 1/2 X 3-1/2	\$1.09
23	16111104	Spring Compression HD VX EX CM	\$2.69
24	16111116	Washer Flat HD EX	\$.99
25	16160744	Bulb Replacement Turn Park	\$2.99
26	16101001	Screw 3/8 X 1 Stainless	\$.49
27	16101006	Nut Nylock 3/8 Stainless Steel	\$.29

LOC NO	PART NUMBER	DESCRIPTION	PRICE
28	16101007	Washer Flat 3/8	\$.19
29	16111117	SnowDogg Foot Pedal D2T	\$17.99
30	16111115	Linkage Pedal	\$9.49
31	16120164	Deflector CM Rubber 120 In	\$125.09
32	16103020	U Bolt W/Nuts	\$1.39
33	16101110	Trip Pin Kit MD	\$44.09
33	16101120	Pivot Pin W/Grease Fitting	\$20.49
34	16101124	Washer Pivot Bolt HD EX CM	\$.49
35	16120114	Cut Edge Hardware Kit 5/8	\$12.99
36	16120662	Cut Edge 10 Snowdogg 5/8 Cm100	\$255.39
37	16121100	Shoe HD EX CM	\$32.79
38	16121120	Washer Shoe	\$.19
39	16114300	Sector Cm	\$618.79
40	16101140	Bolt Angle Stop HD EX	\$9.59
41	16101122	Nut Pivot Angle HD EX CM	\$4.29
42	16160742	Bulb Replacement H7 Low Beam	\$9.19
43	16101013	Washer 1/2	\$.19
44	16154140	Cylinder Angle 2 X 12 Cm	\$154.19
45	16160740	Bulb Replacement H1 High Beam	\$6.99
46	16151324	Fitting Manifold Port HT300	\$1.49
47	16111120	Pin Snapper Pedal And Jack	\$.69
48	16101004	Screw 3/8 X 2	\$.39
49	16111210	Prop Stand HD EX CM VX TE XP	\$43.59
50	16121140	Linch Pin 7/16	\$.49
51	16152100	Cover Plastic HT300	\$24.09
52	16101015	Nut Nylock 1/2 Zn	\$.19
53	16101011	Screw Cap 1/2 X 4-1/2	\$1.29
54	16101515	Grease Fitting Press	\$.39
54	16114200	A Frame Cm	\$420.89
55	16101003	Screw 3/8 X 2-1/2	\$.39

Fax Orders: 248-442-8327

Phone Orders: 1.800.Angelo.2 (1.800.264.3562)

SNOWDOGG EX & HD PLOW PARTS



SNOWDOGG EX & HD REPLACEMENT PARTS

LOC NO	PART NUMBER	DESCRIPTION	PRICE	LOC NO	PART NUMBER	DESCRIPTION	PRICE
1	16101100	Trip Pin Kit HD EX XP	\$33.09	12	16102142	Clevis Pin Kit 7/8 x 3-1/4 HDW	\$2.39
2	16101200	Trip Spring Snowdogg MD/HD/EX	\$14.19	13	16160420	Harness Grommet	\$3.79
2	1302010	Trip Spring Universal	\$10.39	14	16103010	Lift Chain 48 Links, 5/16", Grade 43 Z	\$13.19
3	16101210	Hardware Kit Spring Mount	\$33.39	14	16103000	Lift Chain Snow Dogg Plows	\$6.59
3	16101220	Hardware Kit Spring Mount MD	\$7.79	15	16103020	U Bolt W/Nuts	\$1.39
4	16101120	Pivot W/Grease Fitting	\$20.49	16	16110102	Lower Lift Frame Assy (Gen 2)	\$519.89
5	16101122	Nut Pivot Angle HD EX CM	\$4.29	16	16111614	Lower Lift Frame Weldment (Gen 2)	\$455.09
6	16101124	Washer Pivot Bolt HD EX CM	\$.49	16B	16111620	Lift Frame Upper HD EX	\$212.69
7	16101140	Bolt Angle Stop HD EX	\$9.59	17	16111102	Pin Lock HD EX VX CM	\$14.79
8	16102100	Pin Clevis 1 X 4	\$4.29	18	16111104	Spring Compression HD VX EX CM	\$2.69
	16111156	Clevis Pin Kit, A Frame To Lift	\$4.29	22A	16111117	SnowDogg Foot Pedal D2T	\$17.99
11	16102122	Pin Clevis 7/8 X 4	\$2.99	23A	16111115	Linkage Pedal	\$9.49

Trade names, Meyer, Western, etc. used in this catalog are for reference purposes only. Angelo's Supplies, Inc. doesn't imply that the products are of these manufacturers. Prices subject to change without notice. All sales are final on electrical items. All authorized returns are subject to a 30% restocking fee. All special order items must be prepaid and sales are final. NO returns or exchanges will be permitted. NS-not shown.

SNOWDOGG EX & HD PLOW PARTS

LOC NO	PART NUMBER	DESCRIPTION	PRICE
23	16111119	Linkage Pedal (Gen 2)	\$20.19
24	16111200	A Frame HD EX TE XP	\$376.39
24B	16111202	A Frame HD EXTE (Gen 2)	\$376.39
26	16111210	Prop Stand HD EX CM VX TE XP	\$43.59
27A	16111330	Prop Stand DS (Gen 2) (3038622)	NLA
27B	16111340	Prop Stand PS (Gen 2) (3038623)	NLA
28	16111214	Nut 5/8	\$.29
28	16111162	Float Plate Kit (4)	\$15.59
29	16111300	Sector HD EX	\$489.09
30	16111400	Chain Lift Assembly	\$88.69
30	16111402	Lift Chain Cover HD EX VX CM	\$31.49
30	16111406	Lift Chain Hdw Md Hd Ex Vx Cm	\$3.29
30B	16111408	Lift Arm Assy (Gen 2)	\$84.99
31	16111310	Jack For MD HD EX VX CM	\$51.39
31	16111312	Jack Cap SnowDogg Plows	\$2.99
32A	16111124	Pin Snapper 2-1/2	\$.69
33	16111510	Light Bracket W/dw HD EX VX CM	\$27.79
33B	16111634	Light Bar (Gen2)	\$184.89
33B	16111636	Logo Plate W/Hardware (Gen2)	\$22.39
34	16120530	Cut Edge 8 Snowdogg MD/HD 3/8	\$130.59
34	16120520	Cut Edge 7.5 Snowdogg TE 3/8	\$124.89
34	Z300001	Rubber Plow Edge 8 In By Ft	\$14.00
34	Z300002	Rubber Plow Edge 10 In By Ft	\$17.50
34	16120610	Cut Edge 7.5 Snowdogg EX75	\$159.99
34	16120620	Cut Edge 8 Snowdogg HD/MD1/2	\$165.19
34	16120710	Cut Edge Rubber 7.5 X 8	\$427.09
34	16120720	Cut Edge Rubber 8ft X 8"	\$454.89
34	16124020	Back Drag Edge 7.5ft Md Hd Ex	\$82.39
34	16124030	Back Drag Edge EX80	\$87.79
35	16120114	Cut Edge Hardware Kit 5/8	\$12.99
35	1301065	Bolt Kit 12-pcs 5/8 x 2	\$10.99
36	16121530	Skin HD80 Stainless Steel	\$663.39
36	16121520	Skin HD75 Stainless Steel	\$708.29
37	16120110	Moldboard Hdw Kit MD HD EX CM	\$8.99
38	16120120	Moldboard Cap Plastic Hd Ex Cm	\$1.29
39	16120156	Deflector HD75 EX75 Poly	\$116.29
39	16120157	Deflector Rubber 7.5	\$91.19
39	16120158	Deflector Poly 8	\$116.29
39	16120159	Deflector Rubber 8	\$101.09
39	1309035	Snow Deflector Thermoplastic	\$64.69
39	1309025	Snow Deflector Rubber	\$67.89
40	16122100	Blade Guide Kit Snowdogg	\$12.39
41	16121100	Shoe HD EX CM	\$32.79
42	16120256	Clamp Strip HD75 And EX75	\$37.29
42	16120258	Clamp Strip EX80	\$37.29
45	16122350	Moldboard Frame HD75	\$689.29
45	16122352	Moldboard Frame HD80	\$709.99
45	16020522	Moldboard Assembly HD75II	\$1670.19

LOC NO	PART NUMBER	DESCRIPTION	PRICE
45	16020532	Moldboard Assembly HD80II	\$1838.29
46	16111116	Washer Flat HD EX	\$.99
47	16111104	Spring Compression HD EX VX CM	\$2.69
48	16111102	Pin Lock HD EX VX CM	\$14.79
49	16111132	Screw Kit For Pedal Pivot	\$1.49
50	16111118	Roll Pin 1/4 x 2	\$.49
51	16111126	Clevis Pin Kit 1/4 x 1-1/2	\$.29
52	16111113	Pedal Foot	\$16.89
53	16111146	Clevis Pin Kit, Pedal Linkage	\$1.19
67A	16151325	Fitting, Cylinder Lift Port	\$1.69
68	16151322	Swivel Elbow Male JIC	\$2.19
69	16151324	Fitting Manifold Port HT300	\$1.49
69A	16151328	Fitting, Cyllinder Angle Port	\$1.49
70	16152100	Cover Plastic HT300	\$24.09
70A	16152138	Enclosure DS HPU (Gen 2)	\$6.59
70B	16152140	Enclosure PS HPU (Gen 2)	\$6.69
71A	16152132	Rear Panel DS (Gen 2)	\$9.39
71B	16152135	Rear Panel PS (Gen 2)	\$14.99
71C	16111158	Panel Clips 5 pc (Gen 2)	\$5.79
72	16153100	Hose Lift 1/4 x 18	\$11.39
73	16153110	Angle Hose 3/8 x 36	\$17.09
74	16154100	Cylinder Angle 1-1/2 X12 HD EX	\$136.59
74	16154212	Packing Kit 1-1/2	\$19.99
74	16154214	Nut 1-1/2 W/Wiper	\$17.49
74	16154216	Gland Nut 1-1/2" Polypak (Gen 2)	\$23.99
75	16154200	Cylinder Lift 2 X6 HD EX VX CM	\$139.39
75	16154202	Packing Kit 2 X6 Lift Cylinder	\$15.89
75	16154204	Nut 2 W/Wiper	\$24.99
80	16160250	Harness, Plow Light (Gen 2)	\$78.79
87	16160400	Harness Plow Control	\$63.79
87	16160402	Connector Spring Cage Pair Large	\$3.59
87	16160405	Connector Spring Cage Pair Small	\$12.79
97	16160700	Light Kit SnowDogg Plow	\$204.29
97	16160710	Light Drive Side	\$102.59
97	16160712	Light Housing Ds	\$24.69
97	16160720	Light Pass Side	\$102.59
97	16160722	Light Housing Pass Side	\$24.69
97	16160732	Light Housing Gasket	\$.79
97	16160740	Bulb Replacement H1 High Beam	\$6.99
97	16160742	Bulb Replacement H7 Low Beam	\$9.19
97	16160744	Bulb Replacement Turn Park	\$2.99
105	16101005	Nut Nylock 3/8	\$.19
111	16101014	Hardware, Upper /Lower Lift Frame	\$16.69
112	16111118	Pin Roll 1/4 X 2	\$.49
NS	16021510	Wing Kit HDII Plow	\$779.99
NS	16221668	Hitch Pin Hd Ex Plow Wings	\$3.89
NS	16011002	Lift Frame & Power Unit HD/EXI	\$3366.89

Fax Orders: 248-442-8327

Phone Orders: 1.800.Angelo.2 (1.800.264.3562)

SNOWDOGG MD PLOW PARTS

SNOWDOGG MD REPLACEMENT PARTS

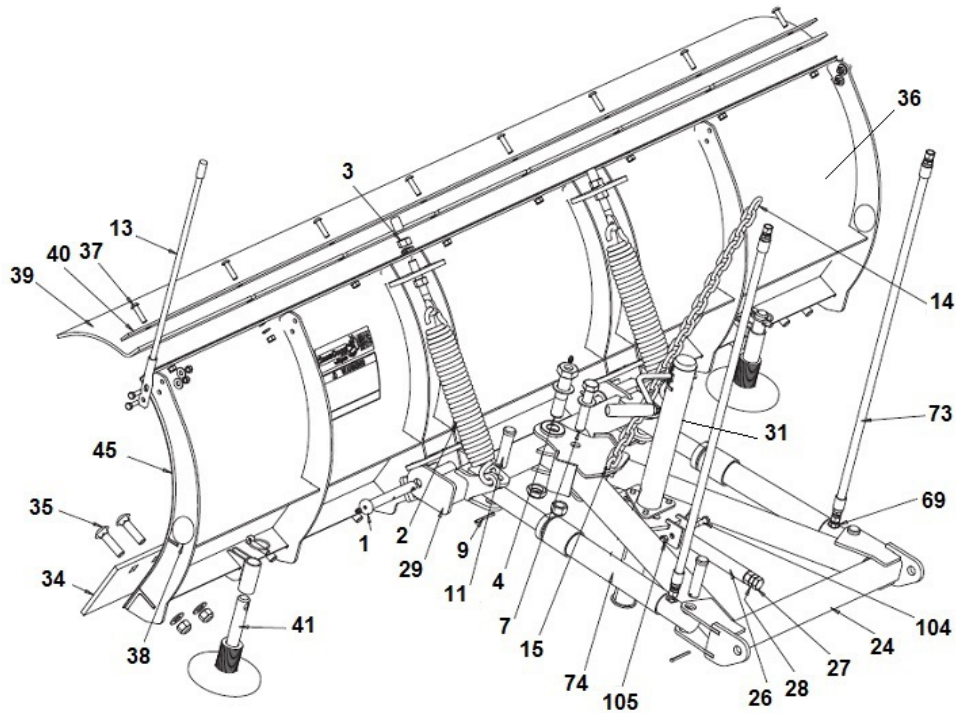


Figure A - Lift Frame Diagram

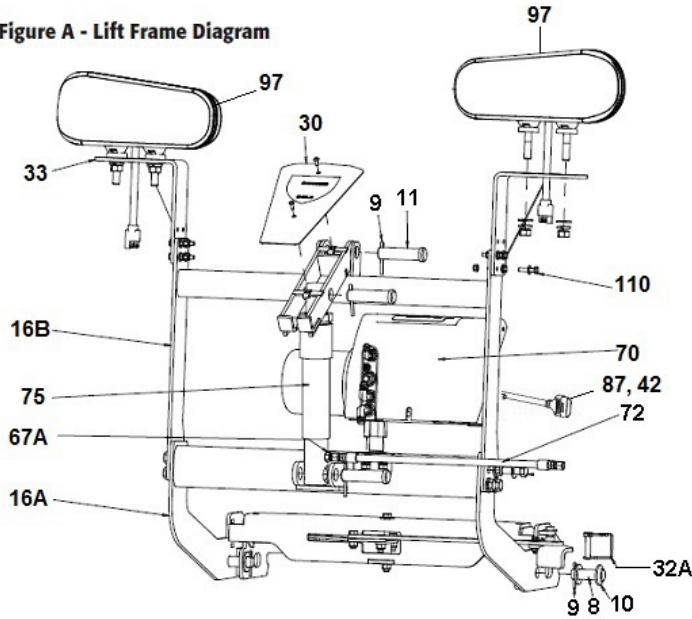
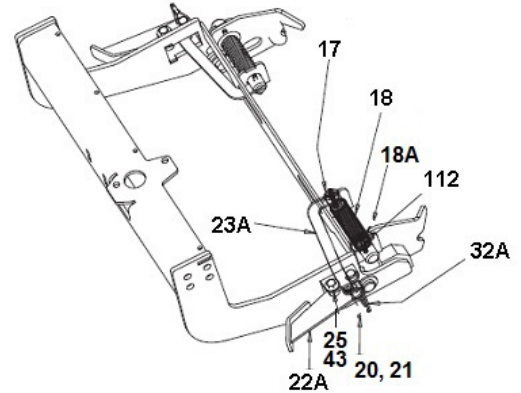


Figure B - Linkage Detail Diagram



LOC NO	PART NUMBER	DESCRIPTION	PRICE
1	16101110	Trip Pin Kit MD	\$44.09
1	16101516	Grease Fitting Threaded	\$.39
2	16101200	Trip Spring Snowdog MD/HD/EX	\$14.19
3	16101220	Hardware Kit Spring Mount MD	\$7.79

LOC NO	PART NUMBER	DESCRIPTION	PRICE
4	16101150	Pivot W/grease Fitting MD	\$20.49
4	16101152	Nut Pivot MD	\$2.09
4	16101515	Grease Fitting Press	\$.39
7	16101160	Bolt Angle Stop MD	\$1.99

Parts List Continued On Next Page

Trade names, Meyer, Western, etc. used in this catalog are for reference purposes only. Angelo's Supplies, Inc. doesn't imply that the products are of these manufacturers. Prices subject to change without notice. All sales are final on electrical items. All authorized returns are subject to a 30% restocking fee. All special order items must be prepaid and sales are final. NO returns or exchanges will be permitted. NS-not shown.

SNOWDOGG MD PLOW PARTS

LOC NO	PART NUMBER	DESCRIPTION	PRICE
7	16101162	Nut Angle Stop	\$.59
8	16102110	Clevis Pin 3/4 x 2-1/8	\$3.69
9	16102102	Cotter Pin 3/16 X 2	\$.39
9A	16102112	Cotter Pin 5/32 X 1/2	\$.29
10	16101164	Washer 3/4	\$.19
11	16102142	Clevis Pin Kit 7/8 x 3-1/4 HDW	\$2.39
13	16122100	Blade Guide Kit Snowdogg	\$12.39
14	16103000	Lift Chain Snow Dogg Plows	\$6.59
15	16103020	U Bolt W/Nuts	\$ 1.39
16A	16110120	Lift Frame Lower Assy Md	\$357.19
16A	16112120	Lift Frame Lower MD	\$333.79
16b	16112110	Lift Frame Upper MD	\$69.29
17	16112102	Pin Locking MD	\$14.79
18	16112104	Spring Compression MD	\$3.59
18A	16102104	Washer 1"	\$.39
20	16101007	Washer Flat 3/8	\$.19
21	16101001	Screw 3/8 X 1 Stainless	\$.49
22A	16111112	Pedal Assy Md Hd Ex Vx Cm	\$11.19
22A	16111113	Pedal Foot	\$16.89
23A	16111111	Linkage Pedal MD	\$16.49
24	16112200	A Frame MD	\$360.59
25	16101003	Screw 3/8 X 2-1/2	\$.39
26	16111210	Prop Stand HD EX CM VX TE XP	\$43.59
27	16111212	Bolt Prop Lift Md Hd Ex Vx Cm	\$ 1.39
28	16111214	Nut 5/8	\$.29
29	16112300	Sector Md	\$373.39
30	16111406	Lift Chain Hdw Md Hd Ex Vx Cm	\$3.29
30	16112400	Lift Chain Assy Md	\$72.19
30	16112402	Lift Chain Cover Md	\$72.19
31	16111310	Jack For MD HD EX VX CM	\$51.39
31	16111312	Jack Cap SnowDogg Plows	\$2.99
32A	16111124	Pin Snapper 2-1/2	\$.69
33	16112530	Bracket Light W/Hdw MD	\$25.69
34	16120510	Cut Edge 6.67 Snowdogg 3/8	\$106.99
34	16120520	Cut Edge 7.5 Snowdogg TE 3/8	\$124.89
34	16120610	Cut Edge 7.5 Snowdogg EX75	\$159.99
34	16120620	Cut Edge 8 Snowdogg HD/MD1/2	\$165.19
34	16120705	Cut Edge Rubber 6.6 Ft X 8	\$216.39
34	16120710	Cut Edge Rubber 7.5 X 8	\$427.09
34	16120720	Cut Edge Rubber 8ft X 8"	\$454.89
35	16120114	Cut Edge Hardware Kit 5/8	\$12.99
35	16120116	Cut Edge Hdw Kit Md68	
36	16020410	Moldboard Assembly MD68	\$1135.29
36	16020420	Moldboard Assembly MD75	\$1420.29
36	16020430	Moldboard Assembly MD80	\$1610.25
36	16121410	Skin Md68 Sst	\$369.69

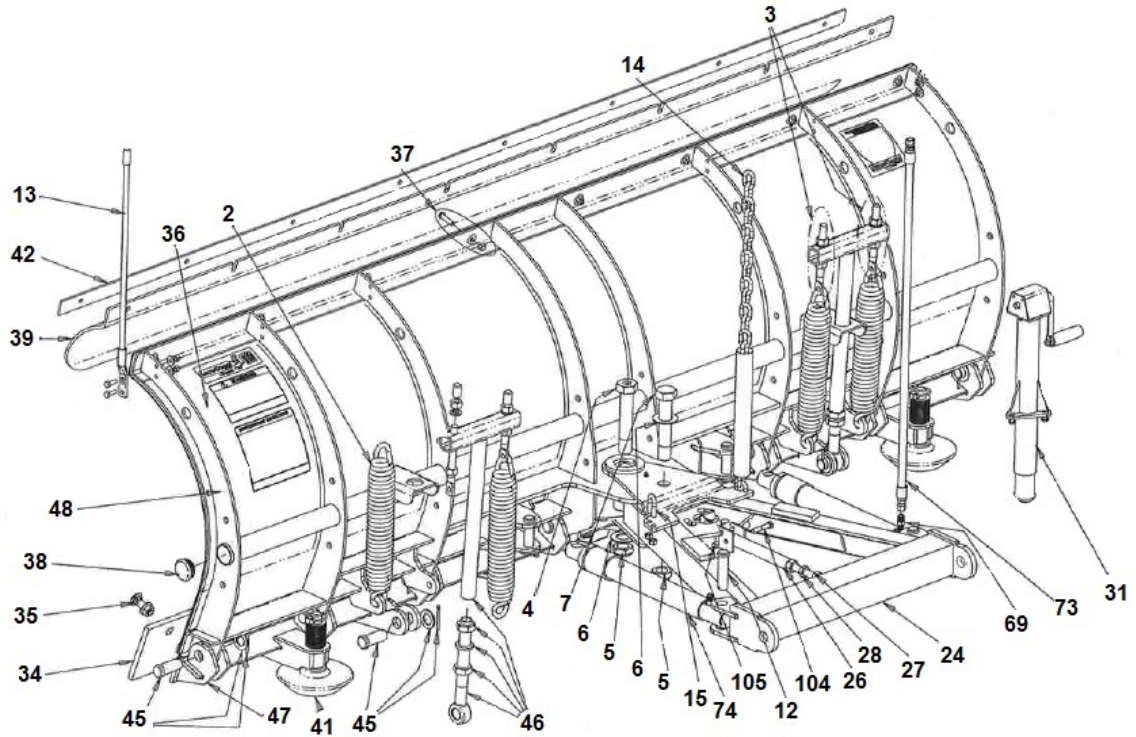
LOC NO	PART NUMBER	DESCRIPTION	PRICE
36	16121420	Skin Md75 Sst	\$426.59
36	16121430	Skin Md80 Sst	\$454.99
37	16120110	Moldboard Hdw Kit MD HD EX CM	\$8.99
38	16120122	Moldboard Cap Plastic Md	\$1.29
39	16120157	Deflector Rubber 7.5	\$91.19
39	16120158	Deflector Poly 8	\$116.29
39	16120159	Deflector Rubber 8	\$101.09
39	16121156	Deflector Md68 Poly	\$110.39
39	16121157	Deflector Md68 Rubber	\$83.49
39	16121158	Deflector Md75 Poly	\$116.29
40	16120258	Clamp Strip EX80	\$37.29
40	16121256	Clamp Strip MD68	\$37.29
40	16121258	Clamp Strip Md75	
41	16121120	Washer Shoe	\$.19
41	16121140	Linch Pin 7/16 Plow Shoes	\$.49
41	16121350	Shoe Assy MD	\$32.79
42	16160402	Connector Spring Cage Pair	\$3.59
42	16160404	Connector Spring Cage Small	\$1.59
43	16101006	Nut Nylock 3/8 Stainless Steel	\$.29
45	16122340	Moldboard Frame MD68	\$410.49
45	16122342	Moldboard Frame MD75	\$528.89
45	16122344	Moldboard Frame MD80	\$607.19
67A	16151325	Cylinder Lift Fitting MD68	\$1.69
69	16151324	Fitting Manifold Port HT300	\$1.49
70	16152100	Cover Plastic HT300	\$24.09
72	16153100	Hose Lift 1/4 x 18	\$11.39
73	16153110	Angle Hose 3/8 x 36	\$17.09
74	16154120	Cylinder Angle 1-1/2 X 10 Md	\$136.59
74	16154212	Packing Kit 1-1/2	\$19.99
74	16154214	Nut 1-1/2 W/Wiper	\$17.49
74	16154216	Gland Nut Kit, 1-1/2x6 Polypak,	\$23.99
75	16154220	Cylinder Lift 1-1/2 X 6 MD	\$107.79
87	16160400	Harness Plow Control	\$63.79
97	16160700	Light Kit SnowDogg Plow	\$204.29
97	16160710	Light Drive Side	\$102.59
97	16160712	Light Housing Ds	\$24.69
97	16160720	Light Pass Side	\$102.59
97	16160722	Light Housing Ps	\$24.69
97	16160730	Hardware Kit 1 Light	\$7.39
97	16160740	Bulb Replacement H1 High Beam	\$6.99
97	16160742	Bulb Replacement H7 Low Beam	\$9.19
97	16160744	Bulb Replacement Turn Park	\$2.99
104	16101004	Screw 3/8 X 2	\$.39
105	16101006	Nylock Nut 3/8 SS	\$.29
110	16111512	Light Bracket Hdw Kit	\$27.79
112	16111118	Pin Roll 1/4 X 2	\$.49

Fax Orders: 248-442-8327

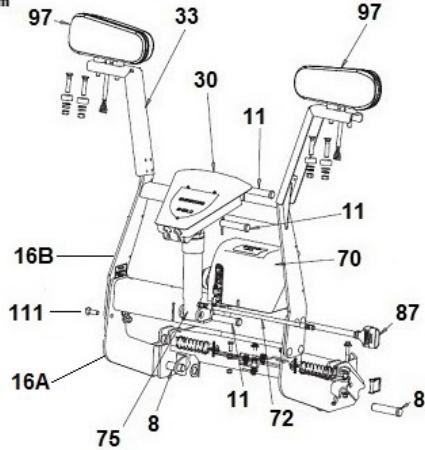
Phone Orders: 1.800.Angelo.2 (1.800.264.3562)

SNOWDOGG TE PLOW PARTS

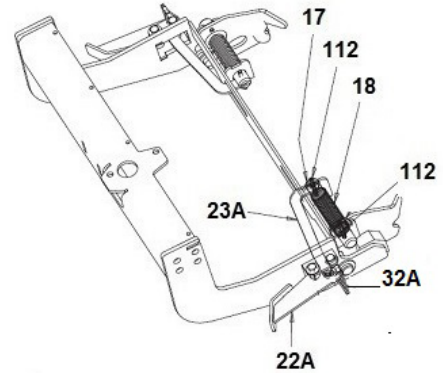
SNOWDOGG TE REPLACEMENT PARTS



Lift Frame Diagram



Linkage Detail Diagram



SNOWDOGG TE PLOW PARTS

LOC NO	PART NUMBER	DESCRIPTION	PRICE
2	16101200	Trip Spring Snowdogg MD/HD/EX	\$14.19
3	1302005	Eyebolt W/Nuts 5/8	\$2.39
3	16101210	Hardware Kit Spring Mount	\$33.39
3	16101220	Hardware Kit Spring Mount MD	\$7.79
4	16101120	Pivot W/Grease Fitting	\$20.49
4	16101515	Grease Fitting Press	\$.39
5	16101122	Nut Pivot Angle HD EX CM	\$4.29
6	16101124	Washer Pivot Bolt HD EX CM	\$.49
7	16101140	Bolt Angle Stop HD EX	\$9.59
8	16102100	Pin Clevis 1 X 4	\$4.29
11	16102122	Pin Clevis 7/8 X 4	\$2.99
12	16102142	Clevis Pin Kit 7/8 x 3-1/4 HDW	\$2.39
13	16122100	Blade Guide Kit Snowdogg	\$12.39
14	16103000	Lift Chain Snow Dogg Plows	\$6.59
15	16103020	U Bolt W/Nuts	\$1.39
16A	16110100	Lift Frame Lower Assy	\$484.59
16A	16111612	Lift Frame Lower Weldment	\$420.29
16B	16111620	Lift Frame Upper HD EX	\$212.69
17	16111102	Pin Lock HD EX VX CM	\$14.79
18	16111104	Spring Compression HD VX EX CM	\$2.69
22A	16111117	SnowDogg Foot Pedal D2T	\$17.99
23A	16111115	Linkage Pedal	\$9.49
24	16111200	A Frame HD EX TE XP	\$376.39
26	16111210	Prop Stand HD EX CM VX TE XP	\$43.59
27	16111212	Bolt Prop Lift Md Hd Ex Vx Cm	\$1.39
28	16111214	Nut 5/8	\$.29
30	16111400	Chain Lift Assembly	\$88.69
30	16111402	Lift Chain Cover HD EX VX CM	\$31.49
30	16111406	Lift Chain Hdw Md Hd Ex Vx Cm	\$3.29
31	16111310	Jack For MD HD EX VX CM	\$51.39
32A	16111124	Pin Snapper 2-1/2	\$.69
33	16111510	Light Bracket Whdw HD EX VX CM	\$27.79
34	16120610	Cut Edge 7.5 Snowdogg EX75	\$159.99
34	16120620	Cut Edge 8 Snowdogg HD/MD1/2	\$165.19
34	16120640	Cut Edge 9 Snowdogg EX90	\$178.19
35	1301061	Bolt Kit 10-pcs 1/2 x 2	\$9.09
35	1303500	Bolt Kit 12 Pcs 1/2 x 2	\$8.99
35	16120114	Cut Edge Hardware Kit 5/8	\$12.99
36	16121612	Skin TE75	\$918.99
36	16121618	Skin TE90	\$1102.79
37	16120110	Moldboard Hdw Kit MD HD EX CM	\$8.99
38	16120120	Moldboard Cap Plastic Hd Ex Cm	\$1.29
39	16120158	Deflector Poly 8	\$116.29

LOC NO	PART NUMBER	DESCRIPTION	PRICE
39	16120159	Deflector Rubber 8	\$101.09
39	16120161	Deflector EX Rubber 8.5'	\$107.39
39	16120162	Deflector EX90 Poly	\$116.29
39	16120163	Deflector EX Rubber 9ft	\$112.59
39	16121158	Deflector Md75 Poly	\$116.29
41	16121100	Shoe HD EX CM	\$32.79
41	16121120	Washer Shoe	\$.19
41	16121140	Linch Pin 7/16 Plow Shoes	\$.49
42	16120256	Clamp Strip HD75 And EX75	\$37.29
42	16120258	Clamp Strip EX80	
42	16120262	Clamp Strip Ex90	\$39.29
45	16102144	Clevis Pin Kit Trip Angle	\$2.49
46	16120190	Trip Spring T Bar Kit VX Plows	\$45.29
47	16122304	Trip Angle TE75	\$402.99
47	16122306	Trip Angle TE80	\$429.79
48	16122300	Moldboard Frame TE75	\$1062.99
48	16122302	Moldboard Frame TE80	\$1075.99
48	16122310	Moldboard Frame TE90	\$1210.49
48	16122312	Trip Angle Weldment TE90	\$483.59
69	16151324	Fitting Manifold Port HT300	\$1.49
70	16152100	Cover Plastic HT300	\$24.09
72	16153100	Hose Lift 1/4 x 18	\$11.39
73	16153110	Angle Hose 3/8 x 36	\$17.09
74	16154100	Cylinder Angle 1-1/2 X12 HD EX	\$136.59
74	16154212	Packing Kit 1-1/2	\$19.99
74	16154214	Nut 1-1/2 W/Wiper	\$17.49
75	16154200	Cylinder Lift 2 X6 HD EX VX CM	\$139.39
75	16154202	Packing Kit 2 X6 Lift Cylinder	\$15.89
75	16154204	Nut 2 W/Wiper	\$24.99
75	16154206	Gland Nut Kit,2x6 Polypak,w/se	\$34.29
87	16160400	Harness Plow Control	\$63.79
97	16160700	Light Kit SnowDogg Plow	\$204.29
97	16160710	Light Drive Side	\$102.59
97	16160720	Light Pass Side	
97	16160730	Hardware Kit 1 Light	\$7.39
97	16160740	Bulb Replacement H1 High Beam	\$6.99
97	16160742	Bulb Replacement H7 Low Beam	\$9.19
97	16160744	Bulb Replacement Turn Park	\$2.99
104	16101004	Screw 3/8 X 2	\$.39
105	16101005	Nut Nylock 3/8	\$.19
111	16101014	Hardware Kit Lift Frame Hd Ex	\$16.69
112	16111118	Pin Roll 1/4 X 2	\$.49

Fax Orders: 248-442-8327

Phone Orders: 1.800.Angelo.2 (1.800.264.3562)

SNOWDOGG VMD PLOW PARTS

SNOWDOGG VMD REPLACEMENT PARTS

Figure A - Lift Frame Diagram

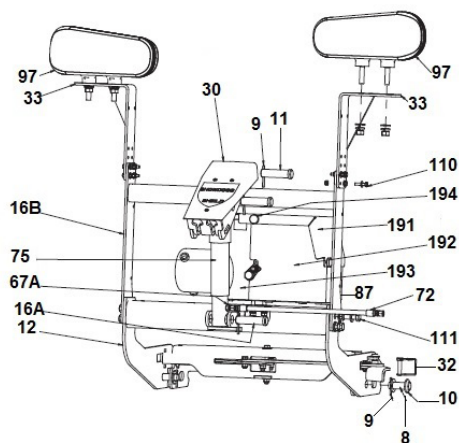


Figure C - A-Frame Diagram

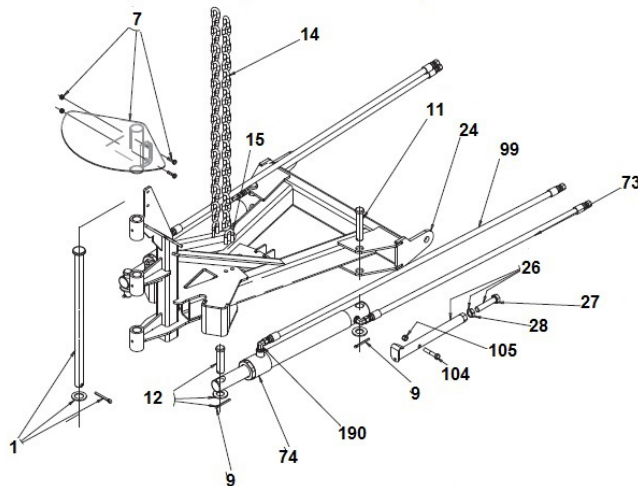


Figure C - Moldboard Diagram

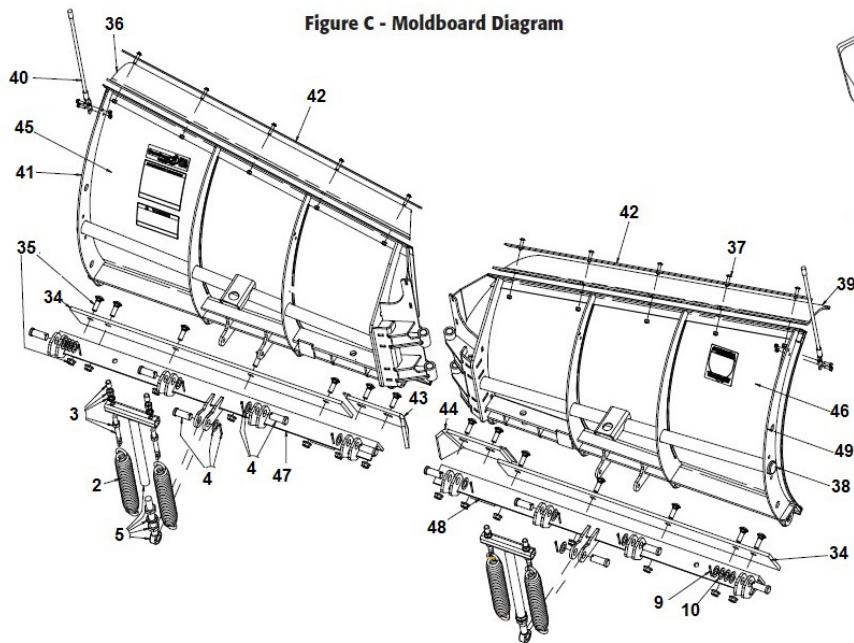
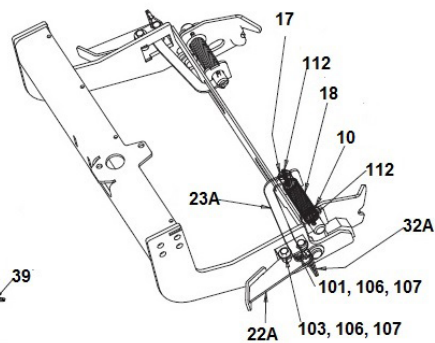


Figure B - Linkage Detail Diagram



Trade names, Meyer, Western, etc. used in this catalog are for reference purposes only. Angelo's Supplies, Inc. doesn't imply that the products are of these manufacturers. Prices subject to change without notice. All sales are final on electrical items. All authorized returns are subject to a 30% restocking fee. All special order items must be prepaid and sales are final. NO returns or exchanges will be permitted. NS-not shown.

SNOWDOGG VMD PLOW PARTS

LOC NO	PART NUMBER	DESCRIPTION	PRICE
1	16101170	Hinge Pin Kit VX & VMD	\$19.89
2	16101200	Trip Spring Snowdogg MD/HD/EX	\$14.19
2	1302010	Trip Spring Universal	\$10.39
3	1302005	Eyebolt W/Nuts 5/8	\$2.39
3	16101210	Hardware Kit Spring Mount	\$33.39
4	16102144	Clevis Pin Kit Trip Angle	\$2.49
5	16120190	Trip Spring T Bar Kit VX Plows	\$45.29
7	16113262	Moldboard Hinge Cover Kit VMD	\$61.39
8	16102110	Clevis Pin 3/4 x 2-1/8	\$3.69
9	16102102	Cotter Pin 3/16 X 2	\$.39
09A	16102112	Cotter Pin 5/32 X 1/2	\$.29
10	16102104	Washer 1"	\$.39
11	16102122	Pin Clevis 7/8 X 4	\$2.99
12	16102142	Clevis Pin Kit 7/8 x 3-1/4 HDW	\$2.39
14	16103000	Lift Chain Snow Dogg Plows	\$6.59
15	16103020	U Bolt W/Nuts	\$1.39
16A	16112120	Lift Frame Lower MD	\$333.79
16A	16110120	Lift Frame Lower Assy Md	\$357.19
16B	16112110	Lift Frame Upper MD	\$69.29
17	16112102	Pin Locking MD	\$14.79
18	16112104	Spring Compression MD	\$3.59
22A	16111113	Pedal Foot	\$16.89
23A	16111111	Linkage Pedal MD	\$16.49
24	16113220	A Frame VMD	\$484.99
26	16111210	Prop Stand HD EX CM VX TE XP	\$43.59
27	16111212	Bolt Prop Lift Md Hd Ex Vx Cm	\$1.39
28	16111214	Nut 5/8	\$.29
30	16111400	Chain Lift Assembly	\$88.69
30	16111402	Lift Chain Cover HD EX VX CM	\$31.49
30	16111406	Lift Chain Hdw Md Hd Ex Vx Cm	\$3.29
32	16111124	Pin Snapper 2-1/2	\$.69
32A			
33	16112530	Bracket Light W/Hdw MD	\$25.69
34	16120810	Cutting Edge Vmd75 34inx 6.0in	\$88.09
34	16120811	Cut Edge Vmd75 34 X 6 X .5	\$103.19
35	16120114	Cut Edge Hardware Kit 5/8	\$12.99
35	1301065	Bolt Kit 12 Pcs 5/8 x 2-1/2	\$10.99
36	16120167	Deflector Contoured DS VMD75	\$72.79
37	16120110	Moldboard Hdw Kit MD HD EX CM	\$8.99
38	16120120	Moldboard Cap Plastic Hd Ex Cm	\$1.29
39	16120168	Deflector Contoured PS VMD75	\$72.79
40	16122100	Blade Guide Kit Snowdogg	\$12.39
41	16122220	Wing Weldment VMD75 DS	\$719.59
42	16120268	Clamp Strip VMD75	\$38.89

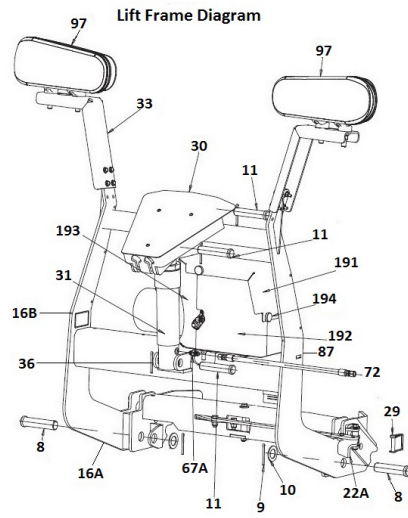
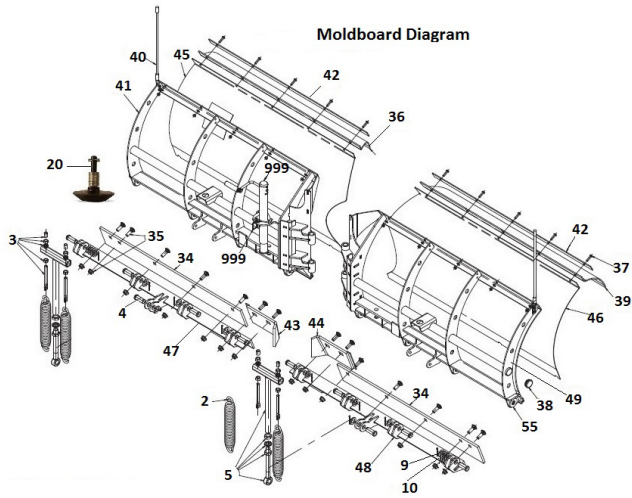
LOC NO	PART NUMBER	DESCRIPTION	PRICE
43	16120840	Cut Edge Center 11.18 Snowdogg	\$53.49
44	16120850	Cut Edge Ctr 11.18 Snowdogg VX	\$53.49
45	16121710	Skin Ds Vmd75 Sst	\$345.09
46	16121712	Skin PS VMD75 Sst	\$232.79
47	16122224	Trip Angle Weldment DS VMD75	\$178.09
48	16122226	Trip Angle Weldment PS VMD75	
49	16122222	Wing Weldment VMD75 PS	\$719.59
67A	16151325	Cylinder Lift Fitting MD68	\$1.69
72	16153100	Hose Lift 1/4 x 18	\$11.39
73	16153110	Angle Hose 3/8 x 36	\$17.09
74	16154300	Cylinder Angle 1-1/2	\$143.79
74	16154302	Seal Kit For Angle Cylinder	\$22.89
75	16154212	Packing Kit 1-1/2	\$19.99
75	16154214	Nut 1-1/2 W/Wiper	\$17.49
75	16154216	Gland Nut Kit, 1-1/2x6 Polypak,	\$23.99
75	16154220	Cylinder Lift 1-1/2 X 6 MD	\$107.79
87	16161400B	Harness V Plow Hpu	\$85.49
97	16160744	Bulb Replacement Turn Park	\$2.99
97	16160742	Bulb Replacement H7 Low Beam	\$9.19
97	16160740	Bulb Replacement H1 High Beam	\$6.99
97	16160722	Light Housing Ps	\$24.69
97	16160720	Light Pass Side	\$102.59
97	16160712	Light Housing Ds	\$24.69
97	16160700	Light Kit SnowDogg Plow	\$204.29
97	16160710	Light Drive Side	\$102.59
99	16153120	Hose Angle Retract 3/8 X 48 VX	\$21.09
101	16101001	Screw 3/8 X 1 Stainless	\$.49
103	16101003	Screw 3/8 X 2-1/2	\$.39
104	16101004	Screw 3/8 X 2	
105	16101005	Nut Nylock 3/8	\$.19
106	16101006	Nut Nylock 3/8 Stainless Steel	\$.29
107	16101007	Washer Flat 3/8	\$.19
110	16111512	Light Bracket Hdw Kit	\$2.99
111	16101012	Lift Frame Md Fastener Kit	\$13.39
112	16111118	Pin Roll 1/4 X 2	\$.49
190	16152346	Cylinder Angle Port Fitting HV	\$1.89
191	16152120	Cover HV	\$19.29
192	16152122	Cover DS Front HV	\$12.39
193	16152124	Cover PS Front HV	\$11.99
194	16152126	Screw Thumb HV	\$1.79
NS	16021750	Shoes Pair VX VMD TE Plows	\$165.39
NS	16111310	Jack For MD HD EX VX CM	\$51.39

Fax Orders: 248-442-8327

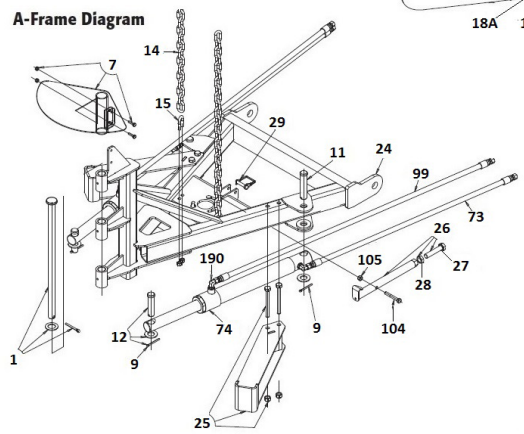
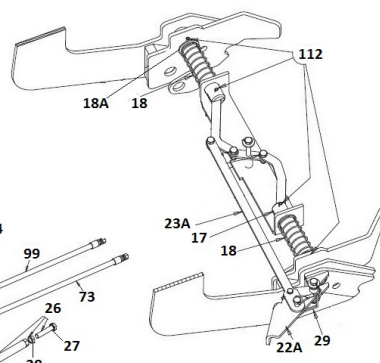
Phone Orders: 1.800.Angelo.2 (1.800.264.3562)

SNOWDOGG VXF PLOW PARTS

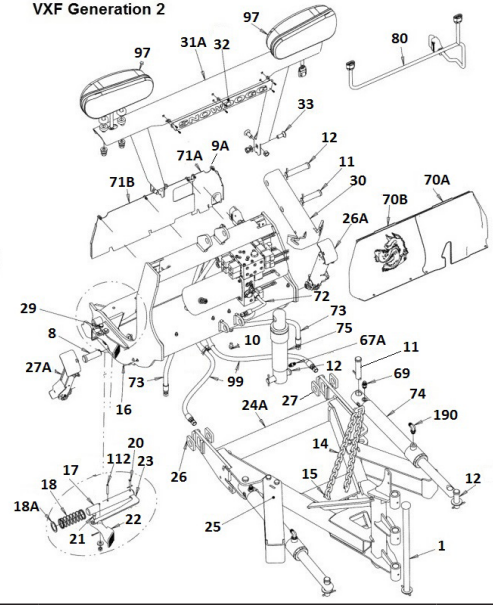
SNOWDOGG VXF REPLACEMENT PARTS



Linkage Detail Diagram



VXF Generation 2



Parts List Continued On Next Page

LOC NO	PART NUMBER	DESCRIPTION	PRICE
1	16101170	Hinge Pin Kit VX & VMD	\$19.89
2	16101200	Trip Spring Snowdogg MD/HD/EX	\$14.19
3	16101210	Hardware Kit Spring Mount	\$33.39
4	16102144	Clevis Pin Kit Trip Angle	\$2.49
5	16120190	Trip Spring T Bar Kit VX Plows	\$45.29
7	16113260	Moldboard Hinge Cover Kit VX	\$33.99
8	16102100	Pin Clevis 1 X 4	\$4.29
9	16102102	Cotter Pin 3/16 X 2	\$.39
9A	16111158	Panel Clips (Gen 2)	\$5.79
10	16102104	Washer 1"	\$.39
11	16102122	Pin Clevis 7/8 X 4	\$2.99
12	16102142	Clevis Pin Kit 7/8 x 3-1/4 HDW	\$2.39
14	16103000	Lift Chain Snow Dogg Plows	\$6.59
15	16103020	U Bolt W/Nuts	\$1.39
16	16110102	Lower Lift Frame (Gen 2)	\$519.89
16	16111614	Lower Lift Frame (Gen 2)	\$455.09
16A	16111612	Lift Frame Lower Weldment	\$420.29

LOC NO	PART NUMBER	DESCRIPTION	PRICE
16A	16110100	Lift Frame Lower Assy	\$484.59
16B	16111620	Lift Frame Upper HD EX	\$212.69
16B	16013002	Lift Frame & Power Unit VXFII	\$4112.59
17	16111102	Pin Lock HD EX VX CM	\$14.79
18	16111104	Spring Compression HD VX EX CM	\$2.69
18A	16111116	Washer Flat HD EX	\$.99
20	16121700	Shoe Assm VX TE Plow HD	\$32.79
20	16121704	Bracket Weldment VX Shoe	\$48.29
20	16021750	Shoes Pair VX VMD TE Plows	\$165.39
20	16111126	Clevis Pin Kit 1/4 x 1-1/2	\$.29
21	16111146	Clevis Pin Kit, Pedal Linkage	\$1.19
22	16111113	Pedal Foot	\$16.89
22A	16111117	SnowDogg Foot Pedal D2T	\$17.99
23	16111119	Linkage, Pedal (Gen 2)	\$20.19
23A	16111115	Linkage Pedal	\$9.49
24	16113200	A Frame All VX Plows	\$557.29
24A	16113202	A Frame VXF (Gen 2)	\$552.39

Trade names, Meyer, Western, etc. used in this catalog are for reference purposes only. Angelo's Supplies, Inc. doesn't imply that the products are of these manufacturers. Prices subject to change without notice. All sales are final on electrical items. All authorized returns are subject to a 30% restocking fee. All special order items must be prepaid and sales are final. NO returns or exchanges will be permitted. NS-not shown.

SNOWDOGG VXF PLOW PARTS

LOC NO	PART NUMBER	DESCRIPTION	PRICE
25	16113210	Angle Stop W/hdw VX	\$51.59
26	16111210	Prop Stand HD EX CM VX TE XP	\$43.59
26A	16111330	Prop Stand DS (Gen 2) (3038622)	\$101.79
27	16111212	Bolt Prop Lift Md Hd Ex Vx Cm	\$1.39
27A	16111340	Prop Stand PS (Gen 2) (3038623)	\$101.79
28	16111214	Nut 5/8	\$.29
29	16111124	Pin Snapper 2-1/2	\$.69
30	16111406	Lift Chain Hdw Md Hd Ex Vx Cm	\$3.29
30	16111400	Chain Lift Assembly	\$88.69
30	16111402	Lift Chain Cover HD EX VX CM	\$31.49
30	16111408	Chain Lift, (Gen 2)	\$84.99
31	16154200	Cylinder Lift 2 X6 HD EX VX CM	\$139.39
31A	16111634	Light Bar (Gen 2)	\$184.89
32	16111636	Snowdogg Logo Plate (Gen 2)	\$22.39
33	16101106	Light Bar Hdwre Kit (Gen 2)	\$6.69
33	16111510	Light Bracket Whdw HD EX VX CM	\$27.79
34	16120820	Cut Edge 8.5 Snowdogg VXF	\$124.59
34	16120830	Cut Edge 9.5 Snowdogg VXF	\$141.89
35	16120114	Cut Edge Hardware Kit 5/8	\$12.99
36	16111120	Pin Snapper Pedal And Jack	\$.69
37	16120110	Moldboard Hdw Kit MD HD EX CM	\$8.99
38	16120120	Moldboard Cap Plastic Hd Ex Cm	\$1.29
39	16120170	Deflector DS VX85 Poly	\$82.49
39	16120171	Deflector VX Rubber 46"	\$61.69
39	16120172	Deflector PS VX85 Poly	\$82.49
39	16120173	Deflector VX Rubber 52"	\$71.99
39	16120176	Deflector DS VX95 Poly	\$89.29
39	16120178	Deflector PS VX95 Poly	
40	16122100	Blade Guide Kit Snowdogg	\$12.39
41	16020734	Moldboard Assembly VXF95II	\$2791.19
41	16020724	Moldboard Assembly VXF85II	\$2729.39
41	16122200	Moldboard Frame DS VX85	\$844.29
41	16122201	Moldboard Weldment DS VXF85	\$798.09
41	16122203	Moldboard Weldment DS VXF95	\$828.49
42	16120272	Clamp Strip VX95	\$22.09
42	16120510	Cut Edge 6.67 Snowdogg 3/8	\$106.99
42	16120270	Clamp Strip VX85	\$19.79
43	16120840	Cut Edge Center 11.18 Snowdogg	\$53.49
44	16120850	Cut Edge Ctr 11.18 Snowdogg VX	
45	16121720	Skin DS VX85 Stainless Steel	\$391.09
45	16121721	Skin DS VXF85 Stainless Steel	\$470.29
45	16121730	Skin Ds Vx95 Stainless Steel	\$437.09
45	16121731	Skin DS VXF95 Stainless Steel	\$520.69
46	16121722	Skin PS VX85 Stainless Steel	\$391.09
46	16121723	Skin PS VXF85 Stainless Steel	\$470.29
46	16121733	Skin PS VXF95 Stainless Steel	\$520.69
47	16122230	Trip Angle DS VX85	\$201.69

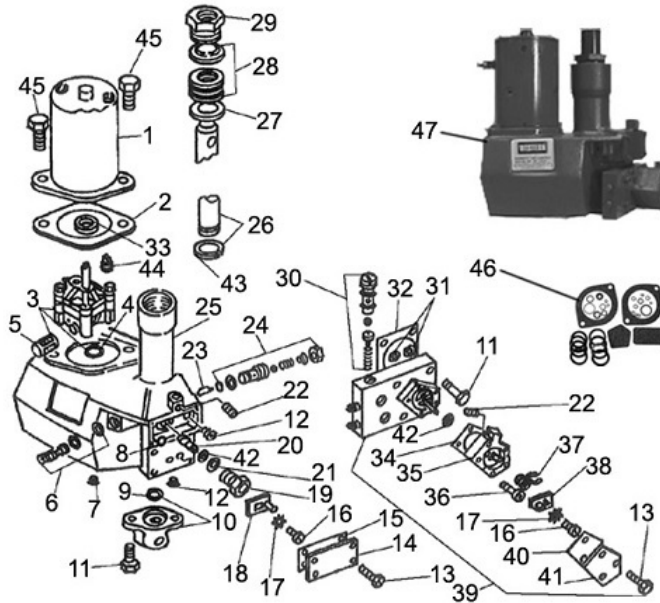
LOC NO	PART NUMBER	DESCRIPTION	PRICE
47	16122240	Trip Angle DS VX95	\$225.39
48	16122232	Trip Angle PS VX85	\$201.69
48	16122242	Trip Angle PS VX95	\$225.39
49	16122202	Moldboard Frame PS VX85	\$844.29
49	16122211	Moldboard Weldment PS VXF85	\$798.09
49	16122212	Moldboard Frame PS VX95	\$859.79
49	16122213	Moldboard Weldment PS VXF95	\$828.49
67A	16151325	Cylinder Lift Fitting MD68	\$1.69
69	16151324	Fitting Manifold Port	\$1.49
70A	16152138	Plastic Cover DS (Gen 2)	\$6.59
70B	16152140	Plastic Cover PS (Gen 2)	\$6.69
71A	16152132	Rear Panel DS (Gen 2)	\$9.39
71B	16152134	Rear Panel PS (Gen 2)	\$15.09
72	16153100	Hose Lift 1/4 x 18	\$11.39
73	16153110	Angle Hose 3/8 x 36	\$17.09
74	16154300	Cylinder Angle 1-1/2	\$143.79
74	16154302	Seal Kit For Angle Cylinder	\$22.89
75	16154200	Cylinder Lift 2 X6 HD EX VX CM	\$139.39
75	16154202	Packing Kit 2 X6 Lift Cylinder	\$15.89
75	16154204	Nut 2 W/Wiper	\$24.99
75	16154206	Gland Nut Kit, 2x6 Polypak,w/se	\$34.29
80	16160250	Plow Light Harness (Gen 2)	\$78.79
80	16160112	Repair End 8 Pin, Connector Kit Headlight	\$9.39
80	16160510	Harness Plug Snowdogg Plows	\$4.49
87	16161400B	Harness V Plow Hpu	\$85.49
97	16160722	Light Housing Ps	\$24.69
97	16160720	Light Pass Side	\$102.59
97	16160712	Light Housing Ds	\$24.69
97	16160710	Light Drive Side	\$102.59
97	16160700	Light Kit SnowDogg Plow	\$204.29
97	16160742	Bulb Replacement H7 Low Beam	\$9.19
97	16160744	Bulb Replacement Turn Park	\$2.99
97	16160740	Bulb Replacement H1 High Beam	\$6.99
97	16160730	Hardware Kit 1 Light	\$7.39
97	16160732	Light Housing Gasket	\$.79
99	16153120	Hose Angle Retract 3/8 X 48 VX	\$21.09
104	16101004	Screw 3/8 X 2	\$.39
105	16101005	Nut Nylock 3/8	\$.19
112	16111118	Pin Roll 1/4 X 2	\$.49
190	16152346	Cylinder Angle Port Fitting HV	\$1.89
191	16152120	Cover HV	\$19.29
192	16152122	Cover DS Front HV	\$12.39
193	16152124	Cover PS Front HV	\$11.99
194	16152126	Screw Thumb HV	\$1.79
NS	16021712	Wing Kit VXF	\$779.99
NS	16021710	Wing Kit VX Plow	\$779.99

Fax Orders: 248-442-8327

Phone Orders: 1.800.Angelo.2 (1.800.264.3562)

WESTERN CABLE HYDRAULIC UNIT PARTS

WESTERN CABLE & SOLENOID HYDRAULIC UNIT PARTS



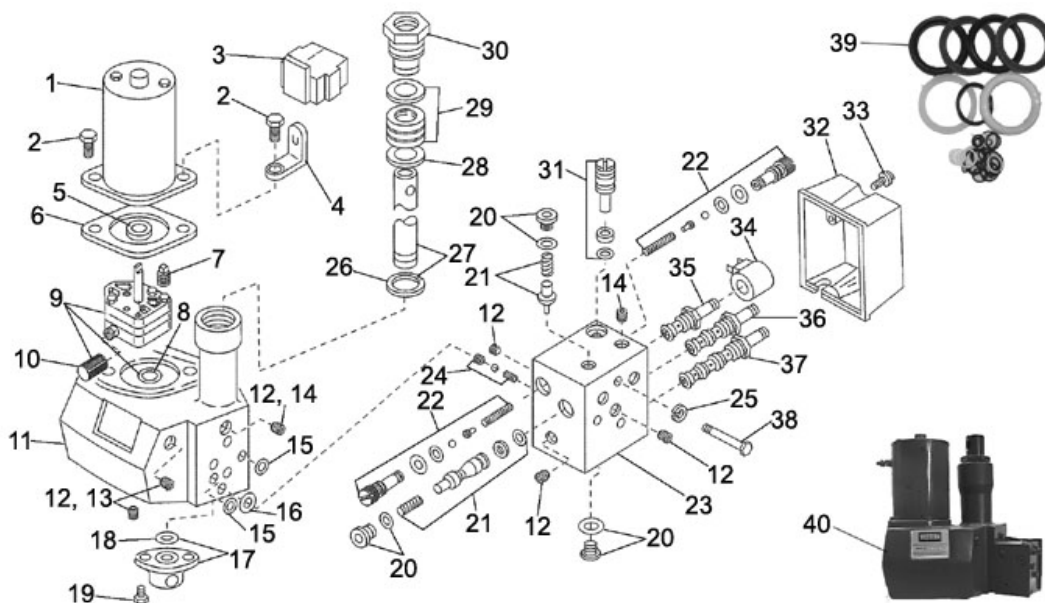
WE NO LONGER REBUILD THIS HYDRAULIC UNIT

LOC NO	PART NUMBER	DESCRIPTION	PRICE
1	Z100967	Motor Western External Shaft	\$74.69
1	1306325	Motor Western Fisher Solenoid	\$91.29
2	1306375	Motor Gasket Western Fisher	\$1.09
3	1306478	Pump Kit Western Solenoid Cabl	\$119.09
4	Z101706	Pump O Ring Old Style 7/8 Od	\$.49
5	1306490	Filter Plastic Western Fisher	\$3.49
6	W49064	Lift Valve W/ O Ring OEM	\$10.99
7	H3169X4	Plug Drain Hex 1/4	\$.29
8	1304225	Hose 36 Western W-npt Male End	\$8.99
9	Z100968	O Ring for Base Lug	\$.49
10	1306370	Base Lug & O Ring	\$9.09
11	Z101449	Bolt 5/16 X 1-1/4	\$.19
12	H3169X2	Plug 1/8 Nptf	\$.29
13	Z101415	Screw 3/16 X 5/8	\$1.59
14	W55958	Enclosure Cover 3 Way OEM	\$6.19
15	W55350	Cover Gasket 3 Way OEM	\$2.99
16	W90655	Screw Pan Head Western (90598)	\$1.49
17	Z101422	Star Lock Washer #6	\$.59
18	W55573	Valve Lever OEM	\$12.39
19	W55572	Hub Nut OEM	\$7.69
20	W55571	Camshaft OEM Western	\$20.89
21	W55587	O Ring 112	\$2.39
22	Z101412	Set Screw 3/16 X 3/8	\$.59
23	W55570	Shuttle Western/fisher OEM	\$15.09
24	W55568	Check Valve Assembly OEM	\$35.99
25	W55946	Housing 1-1/2 Cable Control	\$662.29
25	W55945	Service Housing 2 -1/2" OEM	\$698.19
26	W62545	Plunger 1-1/2 X 6 OEM	\$80.09
26	W25202	Plunger & Washer 1.5 Western	\$72.39
26	W25212	Plunger & Washer 2 Western	\$119.99
27	W338	Plow Washer 1-1/2 OEM	\$4.49

LOC NO	PART NUMBER	DESCRIPTION	PRICE
27	W91174	Washer 2 OEM Western	\$10.29
28	1305200	Packing Set 1-1/2	\$7.19
28	1305105	Packing Set 2	\$13.99
29	W25944	Packing Nut 1-1/2 OEM Western	\$14.99
29	1305215	Packing Nut 2	\$19.99
30	W49138	Relief Valve Kit OEM	\$12.89
31	Z101730	O Ring O15	\$.49
32	W55374	Manifold Gasket OEM	\$2.49
33	W49014	Oil Seal Cable Control	\$9.29
34	W55951	Silver Shim Spacer .0005	\$2.89
34	W55735	Shim Spacer Clear 00035 OEM	\$1.89
35	W55342	Cable & Linkage Enclosure	\$117.89
36	Z101416	Socket Cap Screw 1/4-20 x 1.5	\$1.59
37	W55359	Torsion Spring OEM	\$18.29
38	W55364	4 Way Lever OEM Western	\$7.09
39	W49020	4 Way Valve Kit	\$535.29
40	W55357	Cover Gasket 4 Way OEM	\$8.49
41	W55959	Enclosure Cover 4 Way OEM	\$7.09
42	W55371	O Ring 008	\$2.19
43	W48413	Spiral Retainer Ring Kit OEM	\$8.19
44	H3179X6	Plug Fill 3/8 Npt	\$.49
45	W90066	Bolt 7/16 X 1-1/4 Western	\$3.29
46	W49049	Master Seal Kit OEM1-1/2	\$75.79
46	W49050	Seal Kit Old Style 2" OEM	\$99.29
47	W56139	Power Unit Cable Controlled	\$2082.89
NS	Z102331	Screw 1/4 x 1-3/4	\$.59
NS	1304026	Coupler Set 1/4	\$8.19
NS	1304235	Elbow Male Npt-female Npt	\$2.49
NS	W49311	Hydraulic Fluid Quart OEM West	\$13.69

Trade names, Meyer, Western, etc. used in this catalog are for reference purposes only. Angelo's Supplies, Inc. doesn't imply that the products are of these manufacturers. Prices subject to change without notice. All sales are final on electrical items. All authorized returns are subject to a 30% restocking fee. All special order items must be prepaid and sales are final. NO returns or exchanges will be permitted. NS-not shown.

WESTERN SOLENOID HYDRAULIC UNIT PARTS



Fax Orders: 248-442-8327

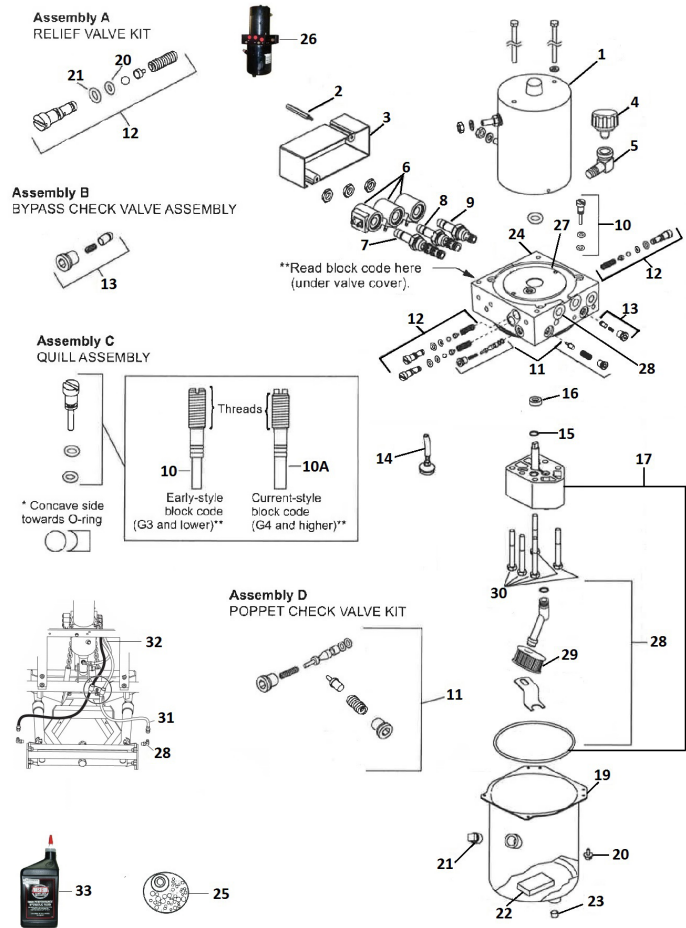
LOC NO	PART NUMBER	DESCRIPTION	PRICE
1	1306325	Motor Western Fisher Solenoid	\$91.29
2	W90066	Bolt 7/16 X 1-1/4 Western	\$3.29
3	W61246	Cable Rubber Cover	\$8.29
4	W56356	Bracket Cable Rubber Cover	\$4.49
5	W49014	Oil Seal Cable Control	\$9.29
6	1306375	Motor Gasket Western Fisher	\$1.09
7	H3179X6	Plug Fill 3/8 Npt	\$4.49
8	Z101738	O Ring 014	\$3.39
9	1306478	Pump Kit Western Solenoid Cabl	\$119.09
10	1306490	Filter Plastic Western Fisher	\$3.49
11	W49252	Housing 1-1/2 Solenoid OEM	\$617.99
12	H3169X2	Plug 1/8 Nptf	\$4.49
13	H3169X4	Plug Drain Hex 1/4	\$4.49
14	H3179X4	Plug Drain Sq Head 1/4	\$4.49
15	Z100971	O Ring 1/16 X 1/2	\$3.39
16	W56274	O Ring 013 OEM Western	\$1.79
17	1306370	Base Lug & O Ring	\$9.09
18	Z100968	O Ring for Base Lug	\$4.49
19	Z101449	Bolt 5/16 X 1-1/4	\$1.19
20	W92960	Plug Stright Thread O-ring 3/8	\$5.49
21	W49226	Poppet Check Valve Kit	\$32.49
22	W49138	Relief Valve Kit OEM	\$12.89

LOC NO	PART NUMBER	DESCRIPTION	PRICE
23	W49265	Manifold Assm With Valves OEM	\$961.39
23	W49224	Manifold Assm W/o Valves OEM	\$297.59
23	W49278	Manifold Assm W Valves OEM	\$961.39
23	W49279	Manifold Assm W/o Valves OEM	\$297.59
24	W49225	Inlet Check Valve Kit OEM	\$21.29
25	W91242	Lock Washer 1/4 OEM	\$1.49
26	W48415	Spiral Retaining Ring 1.5 Kit	\$6.39
27	W25202	Plunger & Washer 1.5 Western	\$72.39
27	W62545	Plunger 1-1/2 X 6 OEM	\$80.09
28	W338	Plow Washer 1-1/2 OEM	\$4.49
29	1305200	Packing Set 1-1/2	\$7.19
30	W25944	Packing Nut 1-1/2 OEM Western	\$14.99
31	W56330	Quill Assembly OEM	\$29.19
32	W56291	Pump Valve Cover Unimount OEM	\$21.19
33	Z101413	Screws For Western Cover Qty 2	\$1.19
34	W49230	Coil With Spade Terminals	\$17.59
35	1306345	Valve 20 W Nut 2 Way	\$20.69
36	1306350	Valve 30 W/nut 3 Way	\$32.09
37	1306355	Valve 40 W/Nut 4 Way	\$54.99
38	Z101397	Bolt 1/4 X 3-1/2	\$5.59
39	Z101065	Master Seal Kit Solenoid West	\$25.09
40	W49253	Power Unit Solenoid Controlled	\$2517.79

Phone Orders: 1.800.Angelo.2 (1.800.264.3562)

WESTERN FLOSTAT HYDRAULIC UNIT PARTS

WESTERN FLOSTAT & PRODIGY HYDRAULIC UNIT PARTS

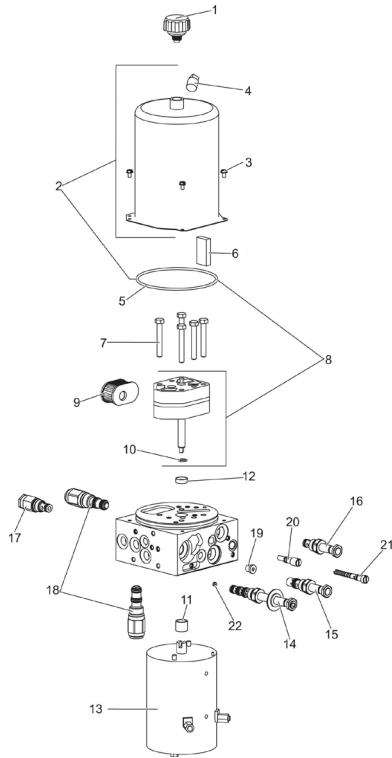


LOC NO	PART NUMBER	DESCRIPTION	PRICE
1	1306326	Motor Ultramount Wideout Mvp	\$92.69
2	W56580	Screw Western OEM	\$7.19
3	W21394	Cover For Ultramount Valve OEM	\$14.39
4	W21727	Breather Pressure Control	\$34.09
5	H3409X6	Elbow 90 Male/Female	\$2.59
6	W49230	Coil With Spade Terminals	\$17.59
7	1306355	Valve 40 W/Nut 4 Way	\$54.99
8	1306351	Valve 31 W/nut 3 Way Flostat	\$50.39
9	1306345	Valve 20 W Nut 2 Way	\$20.69
10	W66509	Quill Assm OEM	\$24.19
10a	W56662	Quill Assm OEM	\$27.29
11	W49226	Poppet Check Valve Kit	\$32.49
12	W49138	Relief Valve Kit OEM	\$12.89
13	W56507	Bypass Check Valve Assm	\$7.99
14	W66405	Return Screen Assm	\$16.79
15	W56274	O Ring 013 OEM Western	\$1.79
16	W66515	Pump Shaft Seal OEM Western	\$6.49
17	W21501	Pump Kit OEM Flo Stat Western	\$347.59
18	W66763	Filter Kit Western Fisher	\$16.69

LOC NO	PART NUMBER	DESCRIPTION	PRICE
19	W21830	Reservoir OEM	\$115.29
20	66607	Screw 5/16 OEM	\$1.09
21	H3179X6	Plug Fill 3/8 Npt	\$.49
22	W73897	Magnet OEM Western	\$4.19
23	H3179X4	Plug Drain Sq Head 1/4	\$.49
24	W56610	Manifold Assm W/o Valves OEM	\$365.09
24	W56608	Manifold Assm W Valves OEM	\$962.79
25	Z100061	Master Seal Kit Flo Stat	\$18.09
26	W56544	Power Unit Flo Stat OEM	\$1676.49
27	W64596	Bearing Sleeve Kit OEM Western	\$9.79
28	1306466	Adapter Elbow 90 Western	\$5.09
28	1304238	Elbow Male Jic-Male Str Thread	\$1.29
29	W56789	Suction Filter Western Fisher	12.59
30	W90073	Cap Screw 5/16" x 2-1/4" OEM	\$1.69
31	1304227	Hose Angle Front	\$17.59
32	1304229	Hose Lift 1/4 X 16	\$12.19
33	W49311	Hydraulic Fluid Quart OEM West	\$13.69

Trade names, Meyer, Western, etc. used in this catalog are for reference purposes only. Angelo's Supplies, Inc. doesn't imply that the products are of these manufacturers. Prices subject to change without notice. All sales are final on electrical items. All authorized returns are subject to a 30% restocking fee. All special order items must be prepaid and sales are final. NO returns or exchanges will be permitted. NS-not shown.

WESTERN PRODIGY HYDRAULIC UNIT PARTS



LOC NO	PART NUMBER	DESCRIPTION	PRICE
1	W21727	Breather Pressure Control	\$34.09
2	W44327	Reservoir Kit OEM	\$51.89
3	66607	Screw 5/16 OEM	\$1.09
4	W92079	Plug Fill 3/8 Npt OEM Western	\$2.39
5	Z101799	O Ring	\$.39
6	W73897	Magnet OEM Western	\$4.19
7	W90073	Cap Screw 5/16" x 2-1/4" OEM	\$1.69
8	W42887	Western OEM Pump Kit	\$134.59
9	W56789	Suction Filter Western Fisher	\$13.99
10	W56274	O Ring 013 OEM Western	\$1.79
11	W64596	Sleeve Bearing Kit	\$9.79
12	W66515	Pump Shaft Seal OEM Western	\$6.49
13	W21500	Motor Ultramount Wideout Mvp	\$189.29
13	1306326	Motor Ultramount Wideout Mvp	\$92.69
14	W48291	Western OEM Valve 4 Way	\$111.89
15	W44332	Valve 20 w/Nut OEM Western	\$119.79
16	W49227K	Valve OEM Sv08-2004 W/nut	\$58.49
17	W42889	W-OEM Relief Valve	\$86.59
18	W42888	W-OEM Counter Balance Valve	\$160.09
19	W44344	Plug 7/16 OEM	\$1.99
20	W48517	Quill OEM Western	\$38.09
21	W49138	Relief Valve Kit OEM	\$12.89
22	W43370	Orifice Plate 100 Western	\$8.59
NS	Z101066	Dielectric Grease 1/2 Oz Tube	\$6.19
	Z126406	Dielectric Grease .33 Oz Tube	\$4.79
	Z126407	Dielectric Grease 3 Oz Tube	\$13.49



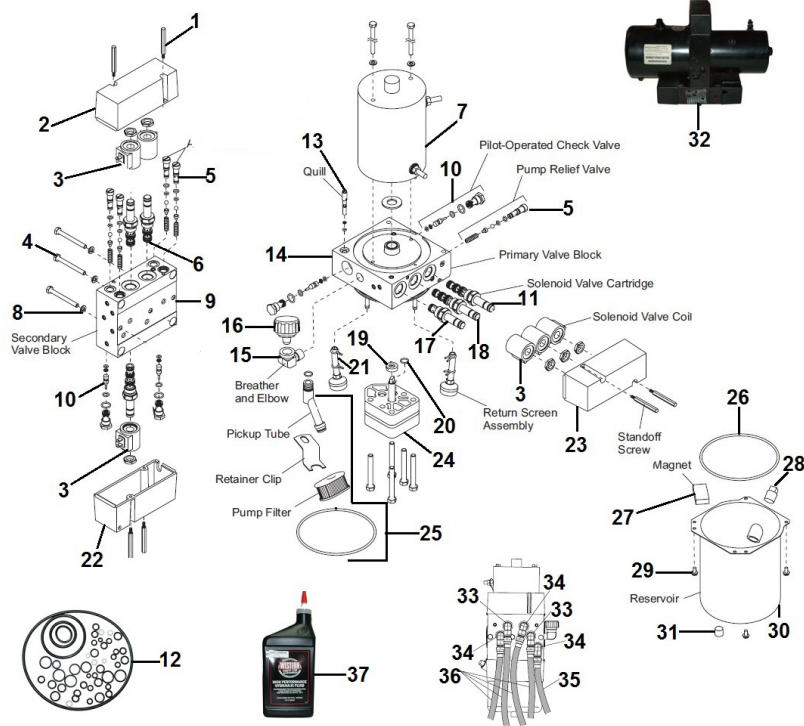
PART NUMBER	DESCRIPTION	PRICE
HF1-AS	Hydraulic Oil Quart	\$5.69
HFG	Hydraulic Oil Gallon	\$17.59
HF5020	Hydraulic Oil 5 Gallon Pail	\$65.99
W49311	Western Hydraulic Oil Quart	\$13.69
W49330	Western Gallon Jug Hydraulic Oil	\$33.19

Fax Orders: 248-442-8327

Phone Orders: 1.800.Angelo.2 (1.800.264.3562)

WESTERN MVP HYDRAULIC UNIT PARTS

WESTERN MVP & HTS HYDRAULIC UNIT PARTS

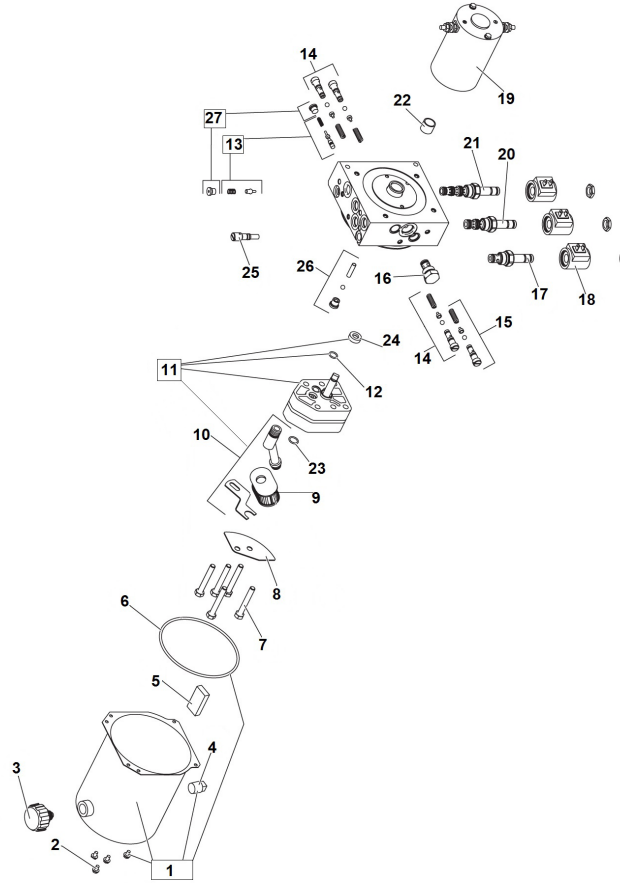


LOC NO	PART NUMBER	DESCRIPTION	PRICE
1	W56580	Screw Western OEM	\$7.19
2	W66620	Cover Mvp 2 Valves OEM	\$13.99
3	W49230	Coil With Spade Terminals	\$17.59
4	Z101343	Bolt 1/4 X 2-1/2	\$1.59
5	W49138	Relief Valve Kit OEM	\$12.89
6	1306350	Valve 30 W/nut 3 Way	\$32.09
7	1306326	Motor Ultramount Wideout Mvp	\$92.69
8	Z101420	Lock Washer 1/4	\$.99
9	W66772	Manifold W/o Valves OEM	\$754.39
9	W66771	Manifold With Valves	\$1167.19
10	W66785	Pilot Valve Kit OEM	\$66.59
11	1306355	Valve 40 W/Nut 4 Way	\$54.99
12	Z100061	Master Seal Kit Flo Stat	\$18.09
13	W66509	Quill Assm OEM	\$24.19
14	W66775	Manifold W/o Valves	\$575.69
14	W66773	Manifold With Valves	\$1167.19
15	H3409X6	Elbow 90 Male/Female	\$2.59
16	W21727	Breather Pressure Control	\$34.09
17	1306345	Valve 20 W Nut 2 Way	\$20.69
18	1306356	Valve 43 w/Nut	\$59.99

LOC NO	PART NUMBER	DESCRIPTION	PRICE
19	W66515	Pump Shaft Seal OEM Western	\$6.49
20	W56274	O Ring 013 OEM Western	\$1.79
21	W66405	Return Screen Assm	\$16.79
22	W66621	Cover Mvp 1 Valve OEM	\$13.99
23	W56763	Cover Mvp 3 Valves OEM	\$14.09
24	W21501	Pump Kit OEM Flo Stat Western	\$347.59
25	W66763	Filter Kit Western Fisher	\$14.99
26	Z101799	O Ring	\$.39
27	W73897	Magnet OEM Western	\$4.19
28	H3179X6	Plug Fill 3/8 Npt	\$.49
29	66607	Screw 5/16 OEM	\$1.09
30	W21830	Reservoir OEM	\$115.29
31	H3179X4	Plug Drain Sq Head 1/4	\$.49
32	W66780	Mvp Hyd Unit OEM	\$3192.99
33	1304239	Elbow 1/2 O Ring 1/2 Jic	\$3.19
34	1304238	Elbow Male Jic-Male Str Thread	\$1.29
35	1304229	Hose Lift 1/4 X 16	\$12.19
36	1304227	Hose Angle Front	\$17.59
37	W49311	Hydraulic Fluid Quart OEM West	\$13.69

Trade names, Meyer, Western, etc. used in this catalog are for reference purposes only. Angelo's Supplies, Inc. doesn't imply that the products are of these manufacturers. Prices subject to change without notice. All sales are final on electrical items. All authorized returns are subject to a 30% restocking fee. All special order items must be prepaid and sales are final. NO returns or exchanges will be permitted. NS-not shown.

WESTERN HTS HYDRAULIC UNIT PARTS



LOC NO	PART NUMBER	DESCRIPTION	PRICE
1	W48538	OEM Reservoir Kit	\$80.39
2	66607	Screw 5/16 OEM	\$1.09
3	W21727	Breather Pressure Control	\$34.09
4	W92079	Plug Fill 3/8 Npt OEM Western	\$2.39
4	H3179X6	Plug Fill 3/8 Npt	\$.49
5	W73897	Magnet OEM Western	\$4.19
6	Z101799	O Ring	\$.39
7	W90073	Cap Screw 5/16" x 2-1/4" OEM	\$1.69
8	W48464	OEM Plate Baffle	\$4.89
9	W56789	Suction Filter Western Fisher	\$17.59
11	W21501	Pump Kit OEM Flo Stat Western	\$347.59
12	W56274	O Ring 013 OEM Western	\$1.79
13	W49226	Poppet Check Valve Kit	\$32.49
14	W49138	Relief Valve Kit OEM	\$12.89

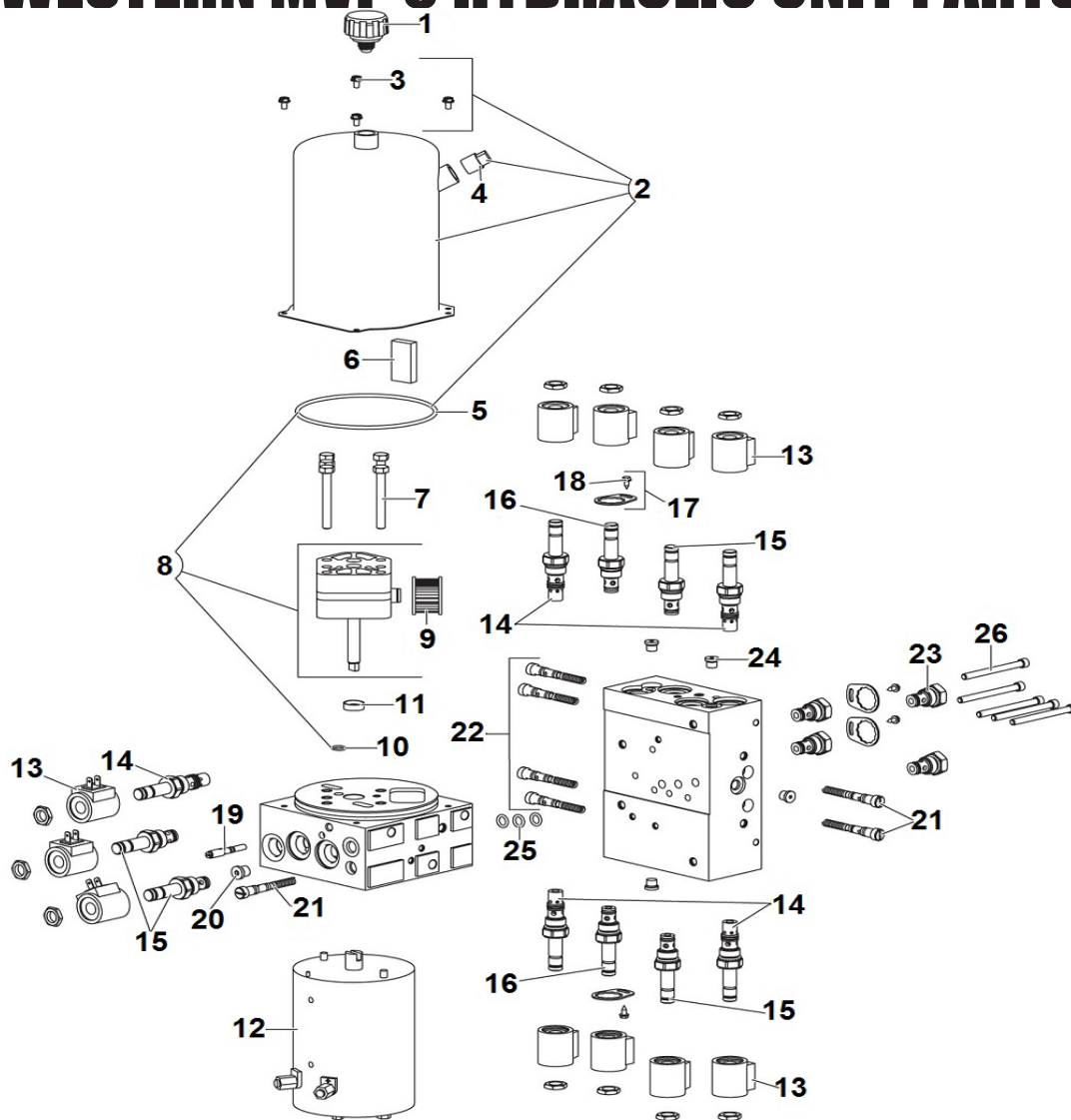
LOC NO	PART NUMBER	DESCRIPTION	PRICE
15	W27792	OEM Relief Valve Repair Kit	\$13.49
16	W44334	Check Valve OEM	\$33.39
17	W49227K	Valve OEM Sv08-2004 W/nut	\$58.49
18	W49230	OEM Coil W/ Spade Terminals	\$19.29
19	W48543	OEM Motor Assy 3	\$202.79
20	W66608	OEM Valve 3-way W/nut	\$118.39
21	1306355	Valve 40 W/Nut 4 Way	\$54.99
22	W56364	W-OEM Bearing Sleeve	\$4.89
23	Z101738	O Ring 014	\$.39
24	W66515	Pump Shaft Seal OEM Western	\$6.49
25	W48517	Quill OEM Western	\$38.09
26	W48518	OEM Check Valve Assy	\$9.99
27	W92960	Plug Stright Thread O-ring 3/8	\$5.49

Fax Orders: 248-442-8327

Phone Orders: 1.800.Angelo.2 (1.800.264.3562)

WESTERN MVP 3 HYDRAULIC UNIT PARTS

WESTERN MVP 3 PLOW PARTS & MVP 3 & PRO SERIES WIRING

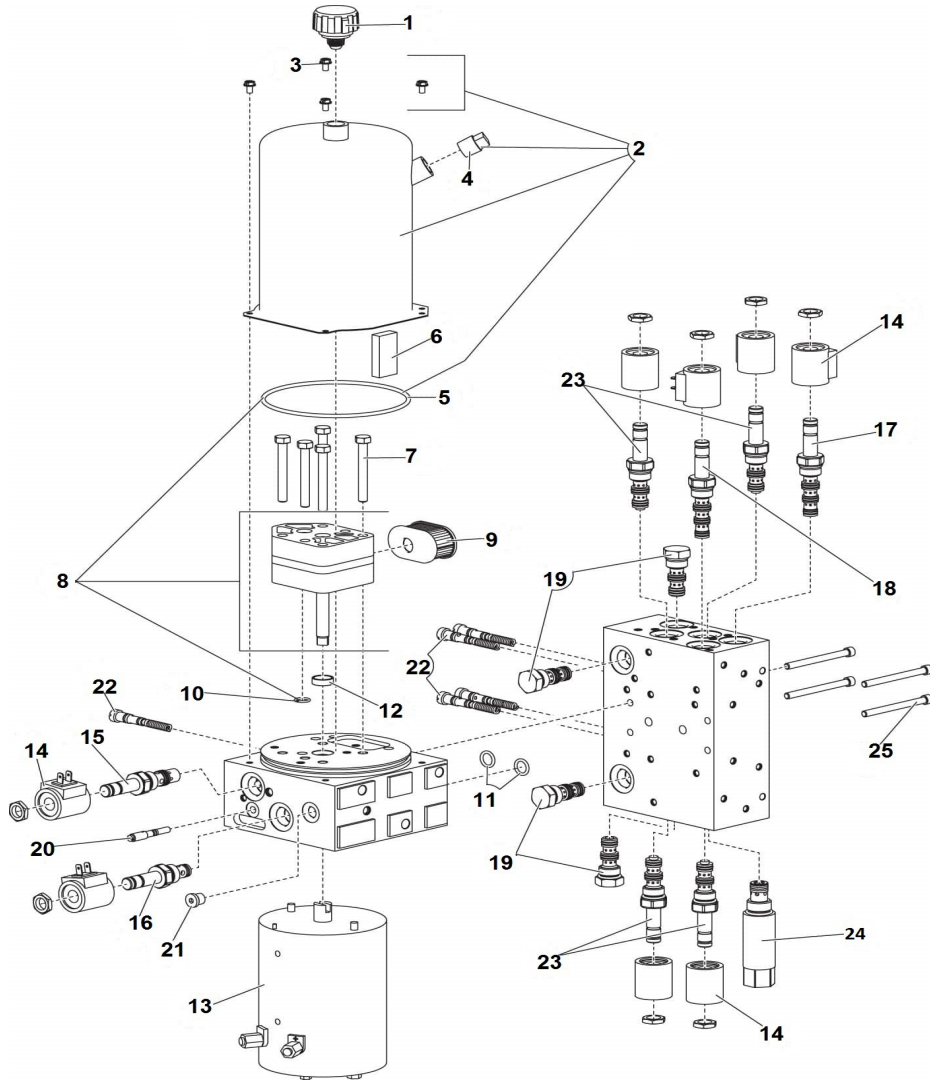


LOC NO	PART NUMBER	DESCRIPTION	PRICE
1	W21727	Breather Pressure Control	\$34.09
2	W44327	Reservoir Kit OEM	\$51.89
3	66607	Screw 5/16 OEM	\$1.09
4	W92079	Plug Fill 3/8 Npt OEM Western	\$2.39
4	H3179X6	Plug Fill 3/8 Npt	\$.49
5	Z101799	O Ring	\$.39
6	W73897	Magnet OEM Western	\$4.19
7	W90080	OEM Hexcapscrew_5/16-18x2-1/	\$1.39
7	Z101396	Bolt W/nut 5/16 X 2-1/2	\$1.59
8	W44328	Pump Kit OEM	\$221.99
9	W56789	Suction Filter Western Fisher	\$12.59
10	W56274	O Ring 013 OEM Western	\$1.79
11	W66515	Pump Shaft Seal OEM Western	\$6.49
12	W21500	Motor Ultramount Wideout Mvp	\$189.29
12	1306326	Motor Ultramount Wideout Mvp	\$92.69
13	W49230	Coil With Spade Terminals	\$17.59

LOC NO	PART NUMBER	DESCRIPTION	PRICE
14	W44332	Valve 20 w/Nut OEM Western	\$119.79
15	W49227K	Valve OEM Sv08-2004 W/nut	\$58.49
15	1306345	Valve 20 W Nut 2 Way	\$20.69
16	W44336	Valve Sf08-2015 w/nut	\$93.89
17	W44369	Lock Ring & Screw OEM	\$7.19
18	W63943	OEM Tapping Screw 3/8	\$.99
19	W48517	Quill OEM Western	\$38.09
20	W44344	Plug 7/16 OEM	\$1.99
21	W49138	Relief Valve Kit OEM	\$12.89
22	W44338	Relief Valve OEM	\$27.19
23	W44334	Check Valve OEM	\$33.39
24	W92960	Plug Stright Thread O-ring 3/8	\$5.49
25	W29077	O Ring 110	\$1.19
26	W29081	Screw 1/4 20 X 3 OEM	\$1.39
NS	W48257	OEM Hydraulic Unit-mvp+ Serv	\$2171.39
NS	W44325	Cover Assm OEM	\$98.79

Trade names, Meyer, Western, etc. used in this catalog are for reference purposes only. Angelo's Supplies, Inc. doesn't imply that the products are of these manufacturers. Prices subject to change without notice. All sales are final on electrical items. All authorized returns are subject to a 30% restocking fee. All special order items must be prepaid and sales are final. NO returns or exchanges will be permitted. NS-not shown.

WESTERN WIDEOUT HYDRAULIC UNIT PARTS



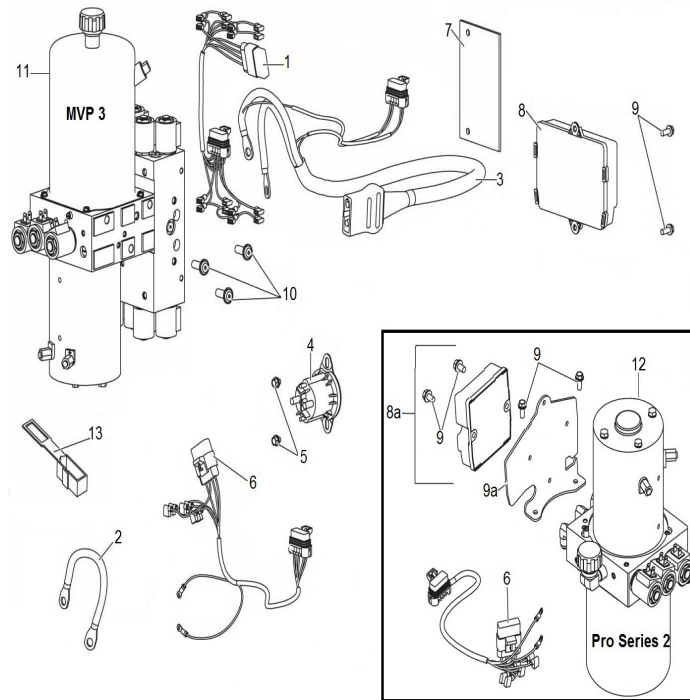
LOC NO	PART NUMBER	DESCRIPTION	PRICE
1	W21727	Breather Pressure Control	\$34.09
2	W44327	Reservoir Kit	\$51.89
3	66607	Screw 5/16 OEM	\$1.09
4	H3179X6	Plug Fill 3/8 Npt	\$.49
4	W92079	Plug Fill 3/8 Npt OEM Western	\$2.39
5	Z101799	O Ring	\$.39
6	W73897	Magnet OEM Western	\$4.19
6	W90080	OEM Hexcapscrew_5/16-18x2-1/	\$1.39
7	Z101396	Bolt W/nut 5/16 X 2-1/2	\$1.59
8	W44328	Pump Kit OEM	\$221.99
9	W56789	Suction Filter Western Fisher	\$12.59
10	W56274	O Ring 013 OEM Western	\$1.79
11	W55587	O Ring 112	\$2.39
12	W66515	Pump Shaft Seal OEM Western	\$6.49
13	W21500	Motor Ultramount Wideout Mvp	\$189.29
13	1306326	Motor Ultramount Wideout Mvp	\$92.69

LOC NO	PART NUMBER	DESCRIPTION	PRICE
14	W49230K	W-OEM Coil W/ Spade Terminals	\$19.29
15	W44332	Valve OEM SVCV08-20 w/Nut	\$119.79
16	W49227K	Valve OEM Sv08-2004 W/nut	\$58.49
16	1306345	Valve 20 W Nut 2 Way	\$20.69
17	W49452	OEM Valve Sv08-45 W/nut	\$109.99
18	W49456	OEM Valve Sv08-41 W/nut	\$117.69
19	W49458	OEM Valve Pc08-30 W/nut	\$62.19
20	W56662	Quill Assm OEM	\$27.29
20	W48517	Quill OEM Western	\$38.09
21	W44344	Plug 7/16 OEM	\$1.99
22	W49138	Relief Valve Kit OEM	\$12.89
23	W49228	Valve OEM 30 W/nut 3 Way	\$80.49
24	W49462	OEM Cross Over Relief-4000 P	\$119.79
25	W29081	Screw 1/4 20 X 3 OEM	\$1.39
N/S	W49450	Power Unit OEM Western.	\$1996.09

Fax Orders: 248-442-8327

Phone Orders: 1.800.Angelo.2 (1.800.264.3562)

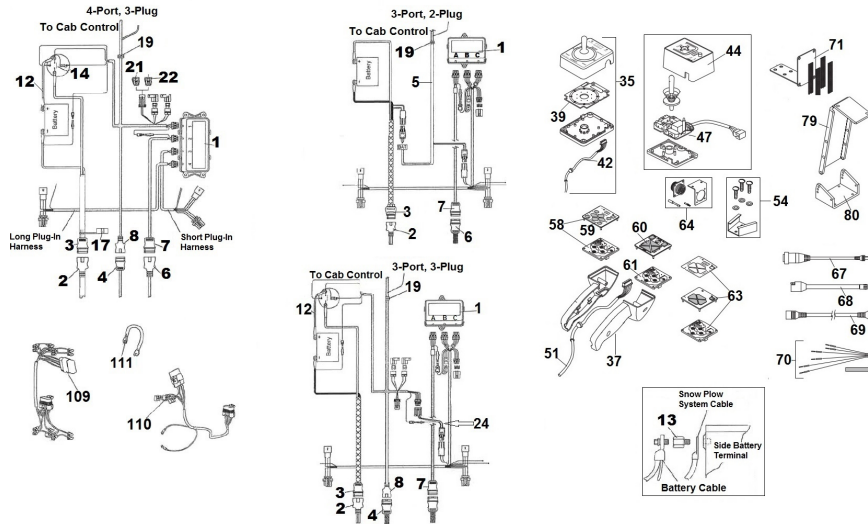
WESTERN MVP 3 & PRO SEREIS 2 WIRING



LOC NO	PART NUMBER	DESCRIPTION	PRICE
1	W28583	Harness Plow Control 8 Solenoid	\$82.79
2	W29071	Cable Assy 8 Western	\$11.89
3	W42015	Battery Cable Plowside Mvp	\$97.89
4	W42902	Solenoid Western Fleet Flex	\$18.99
5	W29099	Hex Washer Thread Screw 1/4	\$.79
6	W28581	Harness Plow Control Western	\$60.69
7	W44308	W-OEM Spacer Module	\$10.89
8	W44354	Module 3 Port Western Plow	\$236.89
8A	W49567	W-OEM Plow Module 2-port	\$166.59
9	W44355	W-OEM Washer Screw 1/4 X 5/8	\$1.09
9A	W42287	Plow Module Bracket	\$23.89
10	W98043	W-OEM Screw Button Cap 3/8"	\$2.89
11	W44320	Mvp Plus Hydraulic Unit	\$1996.09
12	W42345	W-OEM Mhydraulic Unit 4000 Psi	\$878.39
13	W61548	Cover Plug Kit 9-12 Pin OEM	\$6.49
NS	W56099	W-OEM Dielectric Grease Tube	\$3.89
NS	Z101066	Dielectric Grease 1/2 Oz Tube	\$6.19
NS	Z126406	Dielectric Grease .33 Oz Tube	\$4.79
NS	Z126407	Dielectric Grease 3 Oz Tube	\$13.49

Trade names, Meyer, Western, etc. used in this catalog are for reference purposes only. Angelo's Supplies, Inc. doesn't imply that the products are of these manufacturers. Prices subject to change without notice. All sales are final on electrical items. All authorized returns are subject to a 30% restocking fee. All special order items must be prepaid and sales are final. NO returns or exchanges will be permitted. NS-not shown.

WESTERN ISOLATION MODULE & FLEET FLEX WIRING



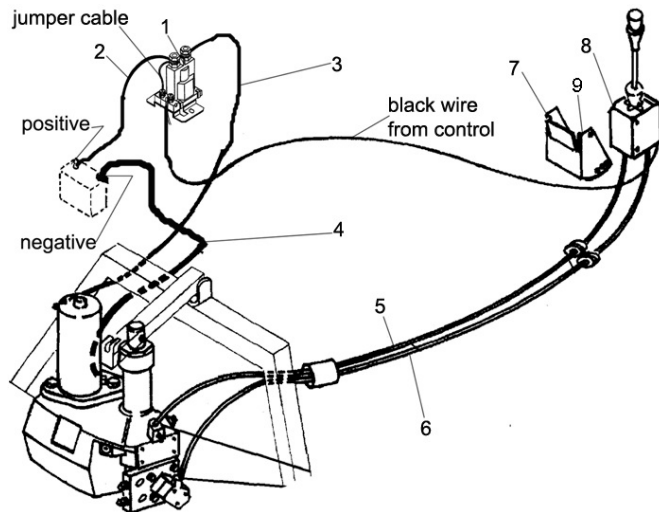
LOC NO	PART NUMBER	DESCRIPTION	PRICE
1	W26400	Isolation Module 4 Port OEM (NLA)	\$319.09
1	W27781	Isolation Module Lt Green Lbl	\$364.29
1	W29070	OEM Module 3 Port Drl	\$137.49
1	W29060	OEM Module 3 Port Standard (NLA)	\$188.69
1	W29760	Module 3 Port Soft Start	\$137.49
2	W21294	Battery Cable Plow Side OEM	\$59.09
2	W42015	Battery Cable Plowside Mvp	\$97.89
3	W61169	Battery Cable OEM Truck Side	\$58.79
3	W63411	Vehicle Battery Cable	\$86.99
3	W42014	Battery Cable Truck MVP F-Flex	\$125.69
4	W27067	Repair Harness Control Ts	\$129.19
4	W26359	Harness Control Plow 3 Pin OEM	\$85.69
4	W26358	Harness Control Plow 7 Pin OEM	\$169.19
5	W28587	OEM Control Harness Vehicle	\$125.49
6	W26347	Harness Plow 11 Pin Light OEM	\$149.69
6	W28213	Harness Nighthawk Plow Lite	\$118.73
7	W26357	Harness Vehicle 11 Pin Light	\$190.19
8	W27063	Repair Harness Control Ts	\$67.59
8	W26498	Harness Control Vehical OEM	\$230.59
8	W26345	Vehicle Control Harness 3 Pin	\$299.19
8	W26346	Harness Control 7 Pin Vs OEM	\$388.59
8	W28055	OEM Existing Vehicle Side Re	\$235.79
8	W28056	OEM Existing Vehicle Side Re	\$288.89
12	1306110	Cable 36 Red	\$6.19
12	1306340	Battery Cable 22 Red	\$10.89
12	W22511	Battery Cable 22 Red OEM	\$12.59
12	W20681	Battery Cable Red 50 OEM	\$23.89
12	W21563	Battery Cable Red 90 OEM	\$58.49
13	W22381W	W-OEM Attery Adapters Side Ter	\$4.49
14	1306310	Solenoid Western Fisher Snoway	\$9.59
14	W56131K	Solenoid OEM Western	\$21.19
14	W42902	Solenoid Western Fleet Flex	\$18.99
17	W61548	Cover Plug Kit 9-12 Pin OEM	\$6.49
19	W66130	Grommet Rubber OEM	\$1.29
21	W26420	OEM Dust Cover	\$13.39

LOC NO	PART NUMBER	DESCRIPTION	PRICE
22	W26421	OEM Configuration Plug	\$18.89
23	W44658	OEM Harness Adaptor 4-port	\$37.69
24	W29047	Adaptor	\$23.49
35	W96369	Joystick Control Mvp OEM	\$505.49
37	W96500	Control Mvp Plus & Wideout OEM	\$411.49
37	W56462	Hand Held Control OEM Western 6 Pin	\$336.39
37	W96462	Hand Held Control Mvp OEM	\$505.49
39	W96367	Pc Board Mvp OEM Western	\$281.59
39	W96353	W-OEM Pc Board,joystick V-plow	\$296.09
42	W96365	Harness V Plow 10 Pin OEM	\$114.49
42	W96352	OEM Harness Joystick V-plow	\$77.09
44	W56369	Control White Plug OEM Western	\$336.39
47	W49283	PC Board Solenoid Joystick	\$264.49
51	W96437	Harness Staright Blade 6- Pin	\$44.39
54	W64312	Control Bracket Parts Bag OEM	\$8.19
58	W96460	Pc Board 9 Button 10 Pin OEM	\$294.79
59	W96461	OEM Keypad Assy 9 Button 4 &	\$33.79
60	W66792	OEM Keypad Assy Mvp 6 Button	Look up
61	W69280	Harness 9 Button Mvp	\$472.79
62	W96442	OEM Keypad & Label (split Li	\$51.39
63	W56472	Pc Board OEM Hand Held Control	\$349.49
64	W56496	Connector Assm V Plow OEM	\$23.69
67	W66760	V Plow To Straight Blade	\$59.14
68	W62392	Harness Adapter White Plug	\$38.89
69	W61845	White Plug Extension 4"	\$38.09
70	W27070	Repair End White Plug OEM	\$57.39
71	W96363	Dash Bracket Parts Bag OEM	\$21.19
79	W56308	Dash Bracket Extension OEM	\$28.29
80	W56080	Dash Bracket OEM	\$17.49
109	W28583	Plow Control Harness 8 Solenoid	\$82.79
110	W28581	Plow Control Harness 3 Solenoid	\$60.69
111	W29071	Cable Assy 8"	\$11.89

Fax Orders: 248-442-8327

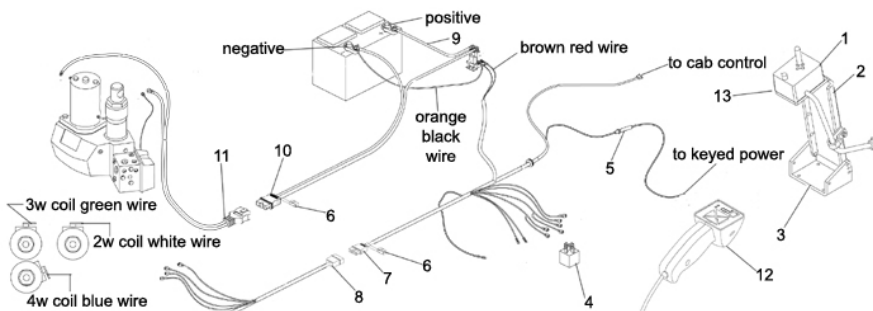
Phone Orders: 1.800.Angelo.2 (1.800.264.3562)

WESTERN CABLE & SOLENOID WIRING



LOC NO	PART NUMBER	DESCRIPTION	PRICE
1	1306401	Solenoid 12V Relay Western	\$16.49
1	W56131K	Solenoid OEM Western	\$21.19
1	1306310	Solenoid Western Fisher Snowway	\$9.59
2	1306110	Cable 36 Red	\$6.19
2	1306340	Battery Cable 22 Red	\$10.89
3	1306335	Cable 60 Red	\$11.99
4	1306330	Cable 60 Black	\$11.69

LOC NO	PART NUMBER	DESCRIPTION	PRICE
5	1313010	Cable Lift Black 9 Ft	\$19.59
5	1313005	Cable Red Angle & Lift	\$23.29
6	1306410	Cable Angle Black 9 Ft	\$24.19
6	W56180	Cable Lift/ Angle 12 Ft OEM	\$136.19
7	W56080	Dash Bracket OEM	\$17.49
8	1314000	Control W/Cables 9 Ft	\$137.29
9	W56079	Floor Bracket OEM Western Cabl	\$46.09

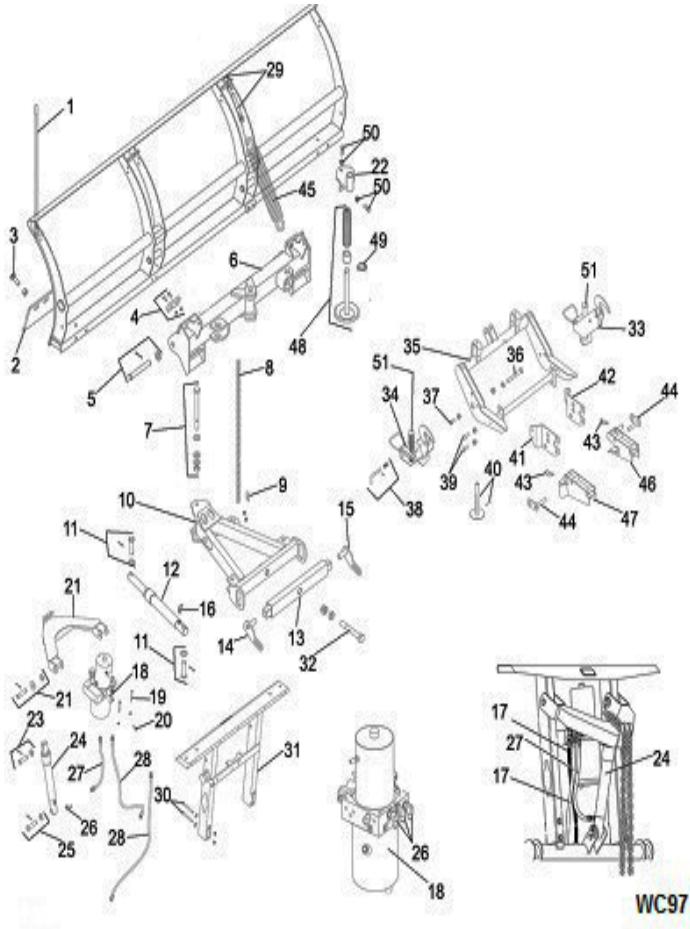


LOC NO	PART NUMBER	DESCRIPTION	PRICE
1	1306902	Universal Control West/Fisher	\$178.99
1	W56369	Control White Plug OEM Western	\$336.39
2	W56308	Dash Bracket Extension OEM	\$28.29
3	W56080	Dash Bracket OEM	\$17.49
4	Z101290	Headlight Relay	\$8.99
5	Z101228	Fuse 10 Amp Atc	\$.59
6	W61548	Cover Plug Kit 9-12 Pin OEM	\$6.49
7	W61437	Harness Vehicle OEM 9 Pin	\$215.09
7	W27070	Repair End White Plug (6 Pin) In Cab	\$57.39
7	1315315	Repair Harness Vehicle 9 Pin	\$29.09
7	W61557	Vehicle Harness 12 Pin OEM	\$215.09
7	W49310	Repair Harness 12 Pin Veh OEM	\$108.19
8	W61438	Harness Plow Side OEM 9 pin	\$161.19

LOC NO	PART NUMBER	DESCRIPTION	PRICE
8	1315310	Repair Harness Plow Side 9 Pin	\$33.39
8	W61558	Harness Plow Side OEM 12 Pin	\$195.49
8	W49319	Repair Harness 12 Pin Plow OEM	\$94.89
9	1306110	Cable 36 Red	\$6.19
9	1306340	Battery Cable 22 Red	\$10.89
10	W61169	Battery Cable OEM Truck Side	\$58.79
11	W21294	Battery Cable Plow Side OEM	\$59.09
12	W56462	Hand Held Control OEM Western	\$336.39
12	W56472	Pc Board OEM Hand Held Control	\$349.49
13	W49283	Pc Board White Plug OEM	\$264.49
NS	1306310	Solenoid Western Fisher Snowway	\$9.59
NS	1306401	Solenoid 12V Relay Western	\$16.49
NS	W56131K	Solenoid OEM Western	\$21.19

Trade names, Meyer, Western, etc. used in this catalog are for reference purposes only. Angelo's Supplies, Inc. doesn't imply that the products are of these manufacturers. Prices subject to change without notice. All sales are final on electrical items. All authorized returns are subject to a 30% restocking fee. All special order items must be prepaid and sales are final. NO returns or exchanges will be permitted. NS-not shown.

WESTERN MIDWEIGHT STEEL-POLY PLOW PARTS



LOC NO	PART NUMBER	DESCRIPTION	PRICE
13	1304420	Pivot Bar Ultramount	\$127.39
13	W67842	Pivot Bar Kit OEM Western	\$185.99
14	1304400	Pin Driver Side Ultramount	\$17.99
14	W67974	Pin Drivers Side OEM Western	\$29.59
15	1304401	Pin Passenger Side Ultramount	\$17.99
15	W67977	Pin Pass Side OEM Western	\$29.79
16	W26694	Elbow OEM	\$14.39
17	1304227	Hose Angle Front	\$17.59
18	W56544	Power Unit Flo Stat OEM	\$1676.49
19	90010	Bolt 1/4 x 2-3/4 Western	\$0.99
20	Z101863	Bolt 3/8 X 1	\$0.59
21	W67850	Lift Arm OEM Western	\$120.29
22	W64388	Shoe Bracket OEM	\$52.79
23	W64617	Pin OEM Western 3/4 X 3-1/2	\$6.39
24	1304201	Cylinder 1.5 X 8 Ultra Mount	\$58.09
25	1302225	Pin 3/4 x 3-1/2	\$2.39
26	1304238	Elbow Male Jic-Male Str Thread	\$1.29
27	1304229	Hose Lift 1/4 X 16	\$12.19
28	1304234	Hose 1/4 x 36 W/f Jic Ends	\$15.39
29	1302005	Eyebolt W/Nuts 5/8	\$2.39
30	Z101372	Bolt W/nut 3/8 X 4	\$1.99
31	W67853	Lift Frame OEM Western	\$330.09
32	W67855	Bolt W/nut OEM 1 X 7	\$20.59
33	W67846	Stand Assm OEM Ps Western	\$287.69
34	W67845	Stand Assm OEM Ds Western	
35	W67903	Lift Frame Lower Assy OEM	\$665.69
36	W90101	Bolt W/nut 1/2 X 2 Western	\$2.79
37	Z101401	Bolt W/nut 5/8 X 1-1/2	\$2.59
38	W67844	Stand Lock Pin Kit OEM Western	\$13.39
39	W5572	Bolt OEM 5/8 X 2	\$4.19
40	1303206	Stand Shoe Ultra Mount	\$17.49
40	W67847	Stand Shoe Western OEM Ultra	\$40.59
41	W64378	Pivot Plate OEM Midweight	\$39.79
42	W64379	Pivot Plate OEM Midweight	
43	1302252	Hair Pin New Style 3/16	\$0.99
44	W67665	Pin OEM Ultramount	\$24.89
45	1302010	Trip Spring Universal	\$10.39
46	1304407	Receiver Ultra Mount Ps	\$86.99
46	W42497	Receiver Ps Western OEM (W67859)	\$169.79
47	1304406	Receiver Ultra Mount Ds	\$86.99
47	W42496	Receiver Ds Western OEM (W67858)	\$169.79
48	1303200	Shoe Assy Western St, Mid, HTS	\$15.89
48	1303205	Washer Western Shoes 1 X 1-3/4	\$0.29
49	1303032	Linch Pin 7/16 Plow Shoes	\$0.69
50	W90575	Bolt W/nut Western	\$2.09
51	W48523	Stand Plunger w/Spring Western	\$30.79

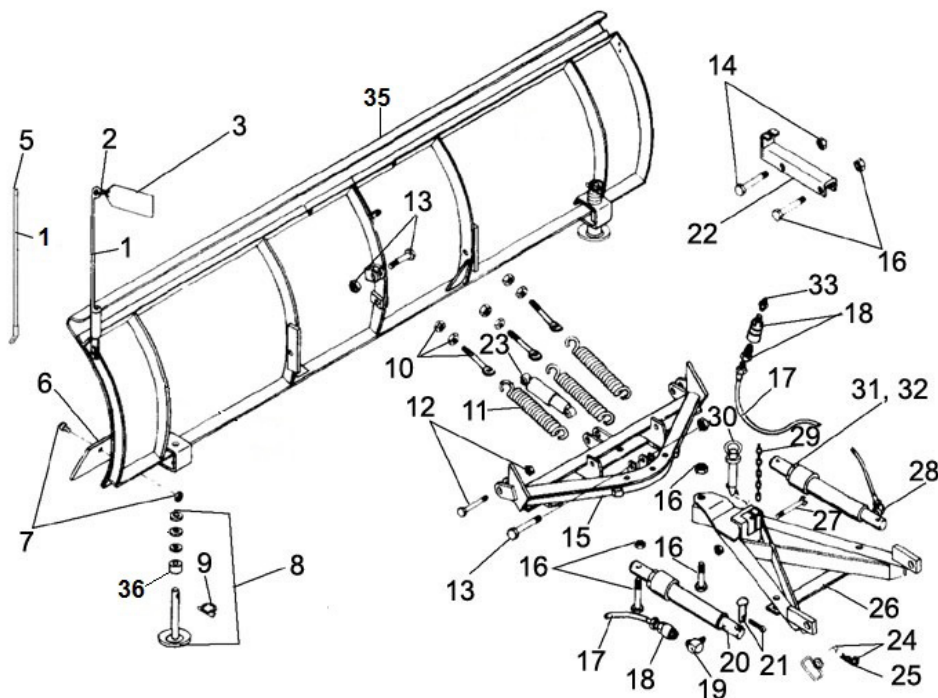
LOC NO	PART NUMBER	DESCRIPTION	PRICE
1	1308200	Blade Guides 24 Red Set	\$9.09
1	1308210	Blade Guides Think Snow 24	\$14.69
1	1308215	Flag & S Hook Think Snow	\$3.69
1	W59694	Flag Western OEM	\$5.49
1	W59700	Blade Guides Set OEM Western	\$48.79
2	64775	Cut Edge 7.5 Western Pro Plus	\$99.19
3	1301065	Bolt Kit 12 Pcs 5/8 x 2-1/2	\$10.99
4	W63976	Push Stop Kit OEM Western	\$13.99
5	W28593	Pin OEM For Quadrant Western	\$9.99
6	W28591	Quadrant OEM Midweight	\$464.49
7	W28590	Pivot Bolt Kit OEM Midweight	\$46.39
8	W49033	Lift Chain OEM Western	\$45.79
9	16103020	U Bolt W/Nuts	\$1.39
10	W28592	A Frame OEM Midweight	\$492.09
11	Z101324	Pin 3/4 x 3-1/2 W/washer	\$4.39
12	W64706	Cylinder OEM 1.5 X 10	\$201.79

Fax Orders: 248-442-8327

Phone Orders: 1.800.Angelo.2 (1.800.264.3562)

WESTERN PRO PLOW PARTS

WESTERN PRO & STANDARD PLOW PARTS

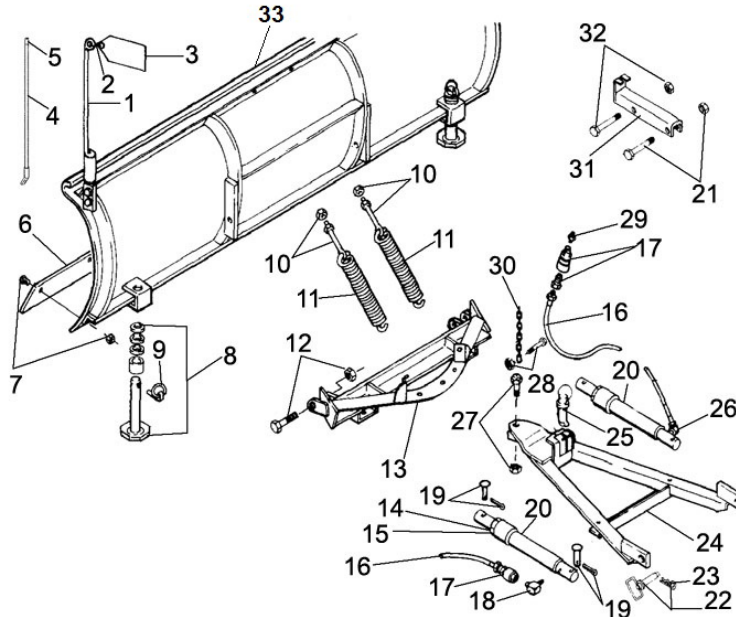


LOC NO	PART NUMBER	DESCRIPTION	PRICE
1	W59700	Blade Guides Set OEM Western	\$48.79
1	1308210	Blade Guides Think Snow 24	\$14.69
1	1308200	Blade Guides 24 Red Set	\$9.09
2	Z101215	S Hook 1-1/2	\$1.59
3	1308215	Flag & S Hook Think Snow	\$3.69
3	W59694	Flag Western OEM	\$5.49
5	1308010	Blade Guide Tips Black Set	\$2.89
6	49088-AS	Cut Edge 7.5 Western Uni Ultra	\$99.19
6	49089	Cut Edge 8 Western Pro Plow	\$105.79
6	49086	Cut Edge 8.5 Western Pro Plow	\$112.39
6	49251	Cut Edge 9 Western Pro Plow	\$115.99
6	W49312	W-OEM Cutting Edge Assy 7-1/2'	\$164.99
6	W49328	W-OEM Cutting Edge Assy 8.0' P	\$177.89
7	1301065	Bolt Kit 12 Pcs 5/8 x 2-1/2	\$10.99
7	1301061	Bolt Kit 10-pcs 1/2 x 2	\$9.09
7	W90238	Carriage Bolt 1/2-13x1-3/4 OEM	\$3.79
8	1303220	Shoe Pro Plow Western	\$30.79
8	1303205	Washer Western Shoes 1 X 1-3/4	\$.29
8	W49071	Shoe Assy Western Pro, Plus,	\$49.49
8	W60045	Spacer For Plow Shoes	\$3.39
8	W91192	W-OEM Flatwasher-special	\$.49
9	1303032	Linch Pin 7/16 Plow Shoes	\$.69
10	1302005	Eyebolt W/Nuts 5/8	\$2.39
10	W66421	Eyebolt W/nut OEM Western	\$9.29
11	1302010	Trip Spring Universal	\$10.39
12	1302020	Bolt W/nut 5/8 X 3	\$2.79
13	Z101407	Bolt W/nut 3/4 X 4	\$4.59

LOC NO	PART NUMBER	DESCRIPTION	PRICE
14	Z101404	Bolt W/nut 3/4 x 3	\$3.59
15	1316220	Quadrant Pro Plow	\$426.49
16	1302025	Bolt W/nut 3/4 X 3-1/2	\$4.39
17	1304225	Hose 36 Western W-npt Male End	\$8.99
18	1304026	Coupler Set 1/4	\$8.19
19	1304240	Elbow Male Npt-male Npt	\$1.69
20	1304205	Cylinder 1-1/2 X 10 Pro	\$56.59
20	W62540	Cylinder Angle 1.5 X 6 OEM	\$198.09
21	1302225	Pin 3/4 x 3-1/2	\$2.39
21	W49277	Lift Channel OEM Western	\$69.99
22	1304290	Lift Arm Standard Western	\$30.29
23	W60338	Shock Absorber OEM To 2009	\$116.19
23	1304408	Shock Absorber	\$51.59
24	1302245	Hitch Pin Western	\$2.79
25	Z100988	Hair Pin 3/16	\$.59
25	1302252	Hair Pin New Style 3/16	\$.99
26	W60324	A-frame Pro Med OEM	\$514.19
27	Z101394	Bolt W/nut 3/8 X 2-1/2	\$1.59
28	1304235	Elbow Male Npt-female Npt	\$2.49
29	W49033	Lift Chain OEM Western	\$45.79
30	W93030	Pin 5/8 X 3-1/2 OEM Western	\$22.99
31	1305200	Packing Set 1-1/2	\$7.19
32	W25944	Packing Nut 1-1/2 OEM Western	\$14.99
33	1304320	Hex Nipple 1/4	\$.59
35	1309025	Snow Deflector Rubber	\$67.89
35	W62396	W-OEM Deflector 7.6 Poly Pro	\$232.49
35	W62402	W-OEM Rubber Deflector Assy 8.	\$311.29

Trade names, Meyer, Western, etc. used in this catalog are for reference purposes only. Angelo's Supplies, Inc. doesn't imply that the products are of these manufacturers. Prices subject to change without notice. All sales are final on electrical items. All authorized returns are subject to a 30% restocking fee. All special order items must be prepaid and sales are final. NO returns or exchanges will be permitted. NS-not shown.

WESTERN STANDARD PLOW PARTS



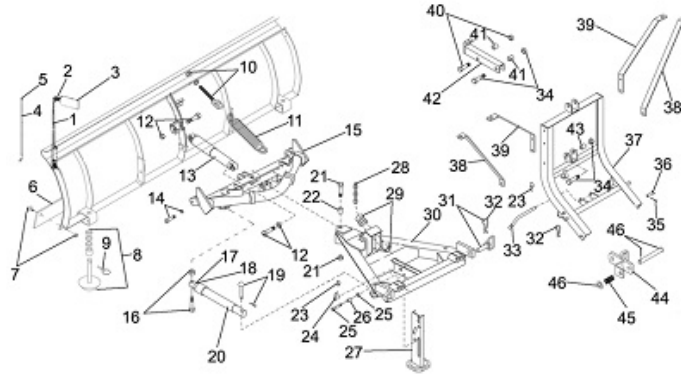
LOC NO	PART NUMBER	DESCRIPTION	PRICE
1	W59700	Blade Guides Set OEM Western	\$48.79
1	1308210	Blade Guides Think Snow 24	\$14.69
2	Z101215	S Hook 1-1/2	\$1.49
3	1308215	Flag & S Hook Think Snow	\$3.69
3	W59694	Flag Western OEM	\$6.94
4	1308200	Blade Guides 24 Red Set	\$9.09
5	1308010	Blade Guide Tips Black Set	\$2.89
6	49066	Cut Edge 6.5 Western Standard	\$85.99
6	1301210	Cut Edge 7 Western	\$77.19
6	49088-AS	Cut Edge 7.5 Western Uni Ultra	\$99.19
7	1301061	Bolt Kit 10-pcs 1/2 x 2	\$9.09
8	1303200	Shoe Asy Western St, Mid, HTS	\$15.89
8	1303205	Washer Western Shoes 1 X 1-3/4	\$.29
8	W49067	Shoe OEM Western St, Mid, HTS	\$24.49
8	W49071	Shoe Asy Western Pro, Plus,	\$49.49
8	W60045	Spacer For Plow Shoes	\$3.39
9	1303032	Linch Pin 7/16 Plow Shoes	\$.69
9	W93010	Linch Pin 7/16 X 1.75 OEM	\$.89
10	1302005	Eyebolt W/Nuts 5/8	\$2.39
10	W90493	Eyebolt 5/8 x 6 w/ Nuts OEM	\$6.59
10	W66421	Eyebolt W/nut OEM Western	\$9.29
11	1302010	Trip Spring Universal	\$10.39
11	W23039	Trip Spring OEM Western	\$13.09
12	W90132	W-OEM Hexcapscrew 5/8-11x3 G5	\$4.59
12	1302020	Bolt W/nut 5/8 X 3	\$2.79
13	W60036	Quadrant OEM Western	\$477.49
13	1316210	Quadrant Western	\$467.29
14	1305200	Packing Set 1-1/2	\$7.19

LOC NO	PART NUMBER	DESCRIPTION	PRICE
15	W25944	Packing Nut 1-1/2 Western	\$14.99
16	1304225	Hose 36 Western W-npt Male End	\$8.99
17	1304026	Coupler Set 1/4	\$8.19
18	1304240	Elbow Male Npt-male Npt	\$1.69
19	1302225	Pin 3/4 x 3-1/2	\$2.39
19	W93063	Pin Clevis Kit 3/4 X 3-1/4	\$6.89
19	W93065	Pin 3/4 X 3-1/2 Western	\$18.39
20	1304205	Cylinder 1-1/2 X 10 Pro	\$56.59
21	1302025	Bolt W/nut 3/4 X 3-1/2	\$4.39
21	W90159	Bolt 3/4-10 x 3-1/2 Western	\$4.99
22	1302245	Hitch Pin Western	\$2.79
22	W93028	Hitch Pin 1 X 3-1/2	\$5.79
23	Z100988	Hair Pin 3/16	\$.59
23	1302252	Hair Pin New Style 3/16	\$.99
24	W60030	A Frame Medium Compact	\$457.79
24	1316205	A Frame Western Poly Standard	\$328.49
25	W93030	Pin 5/8 X 3-1/2 Western	\$22.99
26	1304235	Elbow Male Npt-female Npt	\$2.49
27	Z101403	Bolt W/nut 3/4 X 2-1/2	\$3.59
28	Z101394	Bolt W/nut 3/8 X 2-1/2	\$1.59
29	1304320	Hex Nipple 1/4	\$.59
30	W49033	Lift Chain Western	\$45.79
31	1304290	Lift Arm Standard Western	\$30.29
31	W60342	Lift Channel Western	\$68.09
31	W58734	Lift Channel Standard Western	\$65.99
32	Z101404	Bolt W/nut 3/4 x 3	\$3.59
33	1309025	Snow Deflector Rubber	\$67.89

Fax Orders: 248-442-8327

Phone Orders: 1.800.Angelo.2 (1.800.264.3562)

WESTERN UNIMOUNT PLOW PARTS



WC106

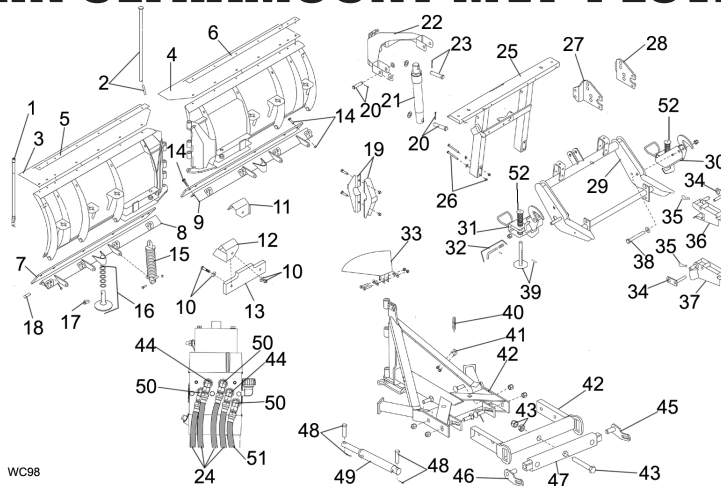
WESTERN UNIMOUNT & ULTRAMOUNT MVP PLOW PARTS

LOC NO	PART NUMBER	DESCRIPTION	PRICE
1	1308210	Blade Guides Think Snow 24	\$4.89
1	W59700	Blade Guides Set OEM Western	\$48.79
2	Z101215	S Hook 1-1/2	\$1.49
3	1308215	Flag & S Hook Think Snow	\$3.69
3	W59694	Flag Western OEM	\$6.94
4	1308200	Blade Guides 24 Red Set	\$9.09
5	1308010	Blade Guide Tips Black Set	\$2.89
6	49086	Cut Edge 8.5 Western Pro Plow	\$112.39
6	49088-AS	Cut Edge 7.5 Western Uni Ultra	\$99.19
6	49089	Cut Edge 8 Western Pro Plow	\$105.79
6	49251	Cut Edge 9 Western Pro Plow	\$115.99
6	49350	Cut Edge 7.5 Pro Poly Plow	\$99.19
6	49351	Cut Edge 8 Western Poly & Pro	\$105.79
7	1301061	Bolt Kit 10-pcs 1/2 x 2	\$9.09
7	1301065	Bolt Kit 12 Pcs 5/8 x 2-1/2	\$10.99
8	1303205	Washer Western Shoes 1 X 1-3/4	\$.29
8	1303220	Shoe Pro Plow Western	\$30.79
9	1303032	Linch Pin 7/16 Plow Shoes	\$.69
10	1302005	Eyebolt W/Nuts 5/8	\$2.39
10	W66421	Eyebolt W/nut OEM Western	\$9.29
11	1302010	Trip Spring Universal	\$10.39
12	Z101404	Bolt W/nut 3/4 x 3	\$3.59
13	1304408	Shock Absorber	\$51.59
13	W60338	Shock Absorber OEM To 2009	\$116.19
14	1302020	Bolt W/nut 5/8 X 3	\$2.79
15	1316220	Quadrant Pro Plow	\$426.49
15	W63582	Quadrant 4 Spring OEM Unimount	\$608.89
16, 21	Z101407	Bolt W/nut 3/4 X 4	\$4.59
17	1305200	Packing Set 1-1/2	\$7.19
18	W25944	Packing Nut 1-1/2 OEM Western	\$14.99
19	1302225	Pin 3/4 x 3-1/2	\$2.39

LOC NO	PART NUMBER	DESCRIPTION	PRICE
20	1304205	Cylinder 1-1/2 X 10 Pro	\$56.59
22	W63492	Tube Spacer OEM Western	\$10.09
23	1303033	Quick Pin 1/4 Round	\$.89
24	1303204	Stand Lock Pin	\$6.99
25	Z101393	Bolt W/Nut 3/8 x 2	\$1.59
26	W61487	Spacer OEM For Stand Bolt	\$17.39
27	1303203	Stand Western Unimount	\$.29
27	Z101417	Stand Kit	\$40.97
28	W49033	Lift Chain OEM Western	\$45.79
29	16103020	U Bolt W/Nuts	\$1.39
30	1316215	A Frame Uni Mount	\$312.19
30	W63581	A Frame 4 Spring UniMount	\$530.19
31	1302245	Hitch Pin Western	\$2.79
32	1302252	Hair Pin New Style 3/16	\$.99
32	Z100988	Hair Pin 3/16	\$.59
33	1302247	Pin 1/2 X 5-1/2	\$1.79
34	1302025	Bolt W/nut 3/4 X 3-1/2	\$4.39
35	1302250	Cotter Pin 5/32 x 1-1/2	\$.19
36	Z101440	Pin 5/8 X 2-1/4	\$1.59
37	W61362	Lift Frame OEM UniMount	\$366.59
38	W63553	Bracket Light Bottom OEM	NA
39	W63532	Bracket Light Top OEM	\$17.49
40	W63207	Bolt W/nut 3/4 x 3-1/2 OEM	\$5.79
41	W63211	Spacer For Lift Arm Bolt OEM	\$2.39
42	1304290	Lift Arm Standard Western	\$30.29
42	W49277	Lift Channel OEM Western	\$69.99
43	W63212	Spacer Lift Unit Bolt OEMw27204	\$2.19
44	W63497	Link Arm OEM Western	\$28.99
45	W63356	Spring OEM	\$3.49
46	Z101324	Pin 3/4 x 3-1/2 W/washer	\$4.39
NS	W27170	Conversion Kit From Unimount to Ultramount	\$306.19

Trade names, Meyer, Western, etc. used in this catalog are for reference purposes only. Angelo's Supplies, Inc. doesn't imply that the products are of these manufacturers. Prices subject to change without notice. All sales are final on electrical items. All authorized returns are subject to a 30% restocking fee. All special order items must be prepaid and sales are final. NO returns or exchanges will be permitted. NS-not shown.

WESTERN ULTRAMOUNT MVP PLOW PARTS



LOC NO	PART NUMBER	DESCRIPTION	PRICE
1	1308205	Blade Guides 24 Orange	\$20.59
2	1302323	Pivot Pin	\$13.39
3	W62614	Rubber Deflector OEM Western	\$128.89
3	W63664	Rubber Deflector OEM Western	\$142.49
4	W62613	Rubber Deflector OEM Western	\$142.39
4	W26586	Rubber Deflector OEM Western	\$149.49
5	W21618	Bolt Bar 8 1/2 OEM Western	\$25.39
5	W26983	Bolt Bar 9-1/2 Ds OEM Western	\$28.99
6	W26984	Bolt Bar 9 1/2 Ps OEM Western	\$50.79
7	W44281	Cut Edge Back Drag 7.5 Mvp Set	\$233.09
7	1311216	Cut Edge Back Drag 8.5 Mvp Set	\$156.79
7	63678	Cut Edge 9.5 Western MVP DS/PS	\$107.99
7	VW375685	Cut Edge 8.5 Western MVP	\$112.39
8	W63960	Base Angle DS 9.5 Western	\$397.09
8	W64029	Base Angle DS 8.5 Western	\$357.59
9	W63961	Base Angle PS 9.5 Western	\$397.09
9	W64030	Base Angle PS 8.5 Western	\$357.59
10	Z101400	Bolt W/nut & Washer 1/2x 2-1/2	\$1.59
11	1304402	Mounting Plate Driver Side	\$21.99
11	W63509	Mounting Plate Ps Western OEM	\$29.09
12	1304403	Mounting Plate Passenger Side	\$21.99
12	W63510	Mounting Plate Ds Western OEM	\$29.09
13	1312202	Cut Edge Center Rubber Mvp	\$23.19
14	1301061	Bolt Kit 10-pcs 1/2 x 2	\$9.09
15	W21452	Spring Assm Western	\$73.29
16	1303205	Washer Western Shoes 1 X 1-3/4	\$.29
16	1303230	Shoe Asy Western MVP & Uni MVP	\$23.09
17	1303032	Linch Pin 7/16 Plow Shoes	\$.69
18	1302300	Pin 3/4 X 2	\$1.19
19	W64031	Stacking Stop Western OEM	\$65.59
20	1302225	Pin 3/4 x 3-1/2	\$2.39
21	1304201	Cylinder 1.5 X 8 Ultra Mount	\$58.09
22	W67850	Lift Arm OEM Western	\$120.29
23	Z101338	Pin 3/4 X 2-3/4	\$2.49
24	1304227	Hose Angle Front	\$17.59

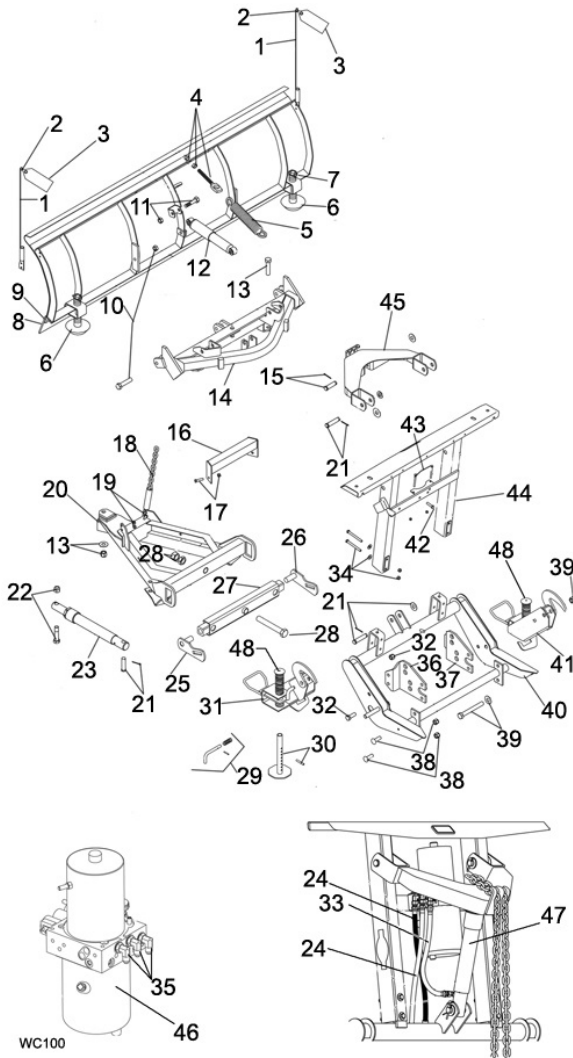
LOC NO	PART NUMBER	DESCRIPTION	PRICE
25	W67853	Lift Frame OEM Western	\$330.09
26	Z101372	Bolt W/nut 3/8 X 4	\$1.99
27	W67708	Pivot Plate B OEM	\$101.19
28	W67707	Pivot Plate A OEM	\$105.29
29	W67556	Lift Frame Lower UT, P/PP	\$709.69
30	W67846	Stand Assm OEM Ps Western	\$287.69
31	W67845	Stand Assm OEM Ds Western	
32	W67844	Stand Lock Pin Kit OEM Western	\$13.39
33	W63952	Center Deflector Western OEM	\$51.69
34	W67665	Pin OEM Ultramount	\$24.89
35	1302252	Hair Pin New Style 3/16	\$.99
35	Z100988	Hair Pin 3/16	\$.59
36	1304406	Receiver Ultra Mount Ds	\$86.99
36	W42497	Receiver Ps Western OEM (W67859)	\$169.79
37	1304407	Receiver Ultra Mount Ps	\$86.99
37	W42496	Receiver Ds Western OEM (W67858)	\$169.79
38	Z101339	Bolt W/nut 3/4 X 6	\$6.59
39	1303206	Stand Shoe Ultra Mount	\$17.49
39	W67847	Stand Shoe Western OEM Ultra	\$40.59
40	W49033	Lift Chain OEM Western	\$45.79
41	16103020	U Bolt W/Nuts	\$1.39
42	W64036	T Frame Kit Western OEM	\$982.59
43	W67855	Bolt W/nut OEM 1 X 7	\$20.59
44	1304239	Elbow 1/2 O Ring 1/2 Jic	\$3.19
45	1304401	Pin Passenger Side Ultramount	\$17.99
45	W67977	Pin Pass Side OEM Western	\$29.79
46	1304400	Pin Driver Side Ultramount	\$17.99
46	W67974	Pin Drivers Side OEM Western	\$29.59
47	1304420	Pivot Bar Ultramount	\$127.39
47	W67842	Pivot Bar Kit OEM Western	\$185.99
48	1302230	Pin 1 x 4	\$3.99
49	1304204	Cylinder 1.5 X 11 Ultra Mvp	\$143.59
50	1304238	Elbow Male Jic-Male Str Thread	\$1.29
51	1304229	Hose Lift 1/4 X 16	\$12.19
52	W48523	Stand Plunger w/Spring Western	\$30.79

Fax Orders: 248-442-8327

Phone Orders: 1.800.Angelo.2 (1.800.264.3562)

WESTERN ULTRAMOUNT PRO & POLY PLOW PARTS

WESTERN ULTRAMOUNT PRO PLOW - POLY PLOW & PRODIGY PLOW PARTS

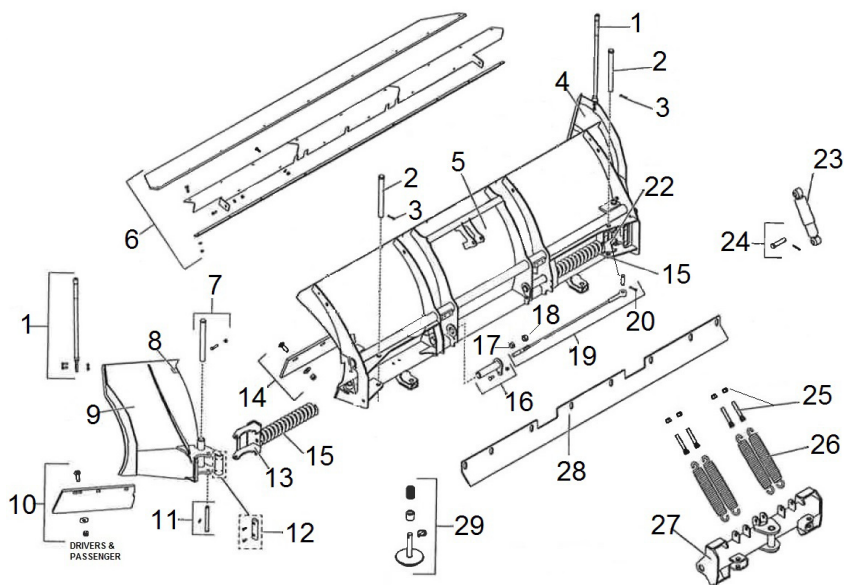


LOC NO	PART NUMBER	DESCRIPTION	PRICE
12	W60338	Shock Absorber OEM To 2009	\$116.19
13	Z101407	Bolt W/nut 3/4 X 4	\$4.59
14	W67848	OEM Quadrant	\$459.49
15	W64617	Pin OEM Western 3/4 X 3-1/2	\$6.39
16	W67676	Stop Stacking OEM	\$86.79
17	Z101394	Bolt W/nut 3/8 X 2-1/2	\$1.59
18	W49033	Lift Chain OEM Western	\$45.79
19	16103020	U Bolt W/Nuts	\$1.39
20	W67854	OEM A Frame	\$579.69
21	1302225	Pin 3/4 x 3-1/2	\$2.39
23	1304202	Cylinder 1-1/2 x 10 Ultra Pro	\$55.19
24	1304227	Hose Angle Front	\$17.59
25	1304400	Pin Driver Side Ultramount	\$17.99
25	W67974	Pin Drivers Side OEM Western	\$29.59
26	1304401	Pin Passenger Side Ultramount	\$17.99
26	W67977	Pin Pass Side OEM Western	\$29.79
27	W67842	Pivot Bar Kit OEM Western	\$185.99
27	1304420	Pivot Bar Ultramount	\$127.39
28	W67855	Bolt W/nut OEM 1 X 7	\$20.59
29	W67844	Stand Lock Pin Kit OEM Western	\$13.39
30	1303206	Stand Shoe Ultra Mount	\$17.49
30	W67847	Stand Shoe Western OEM Ultra	\$40.59
31	W67845	Stand Assm OEM Ds Western	\$287.69
32	Z101401	Bolt W/nut 5/8 X 1-1/2	\$2.59
33	1304229	Hose Lift 1/4 X 16	\$12.19
34	Z101372	Bolt W/nut 3/8 X 4	\$1.99
35	1304238	Elbow Male Jic-Male Str Thread	\$1.29
36	W67708	Pivot Plate B OEM	\$101.19
37	W67707	Pivot Plate A OEM	\$105.29
38	Z101387	Bolt W/nut 5/8 X 2	\$1.59
39	Z101339	Bolt W/nut 3/4 X 6	\$6.59
40	W67556	Lift Frame Lower UT, P/PP	\$709.69
41	W67846	Stand Assm OEM Ps Western	\$287.69
42	Z101863	Bolt 3/8 X 1	\$.59
43	90010	Bolt 1/4 x 2-3/4 Western	\$.99
44	W67853	Lift Frame OEM Western	\$330.09
45	W67850	Lift Arm OEM Western	\$120.29
46	W56544	Power Unit Flo Stat OEM	\$1676.49
47	1304201	Cylinder 1.5 X 8 Ultra Mount	\$58.09
48	W48523	Stand Plunger w/Spring Western	\$30.79
NS	1304406	Receiver Ultra Mount Ds	\$86.99
NS	1304407	Receiver Ultra Mount Ps	
NS	1302252	Hair Pin New Style 3/16	\$.99

LOC NO	PART NUMBER	DESCRIPTION	PRICE
1	1308210	Blade Guides Think Snow 24	\$14.69
1	W59700	Blade Guides Set OEM Western	\$48.79
2	Z101215	S Hook 1-1/2	\$1.59
3	1308215	Flag & S Hook Think Snow	\$3.69
4	1302005	Eyebolt W/Nuts 5/8	\$2.39
5	1302010	Trip Spring Universal	\$10.39
6	1303205	Washer Western Shoes 1 X 1-3/4	\$.29
6	1303220	Shoe Pro Plow Western	\$30.79
7	1303032	Linch Pin 7/16 Plow Shoes	\$.69
8	49088-AS	Cut Edge 7.5 Western Uni Ultra	\$99.19
8	49089	Cut Edge 8 Western Pro Plow	\$105.79
8	49086	Cut Edge 8.5 Western Pro Plow	\$112.39
8	49251	Cut Edge 9 Western Pro Plow	\$115.99
8	49350	Cut Edge 7.5 Pro Poly Plow	\$99.19
8	49351	Cut Edge 8 Western Poly & Pro	\$105.79
9	1301061	Bolt Kit 10-pcs 1/2 x 2	\$9.09
10	1302020	Bolt W/nut 5/8 X 3	\$2.79
11	Z101404	Bolt W/nut 3/4 x 3	\$3.59
12	1304408	Shock Absorber	\$51.59

Trade names, Meyer, Western, etc. used in this catalog are for reference purposes only. Angelo's Supplies, Inc. doesn't imply that the products are of these manufacturers. Prices subject to change without notice. All sales are final on electrical items. All authorized returns are subject to a 30% restocking fee. All special order items must be prepaid and sales are final. NO returns or exchanges will be permitted. NS-not shown.

WESTERN ULTRAMOUNT PRODIGY PLOW PARTS



LOC NO	PART NUMBER	DESCRIPTION	PRICE
1	W62595	Blade Guide Assy Poly 24 OEM	\$35.19
2	W42738	OEM Pin Clevis .75 X 9	\$9.49
3	W91962	OEM Hairpin Cotter 1/8"	\$3.59
4	W41752	OEM Wing Ps Prodigyo	\$457.79
5	W41750	OEM Mold Board Ultramount 2	\$1136.69
6	W42384	OEM Deflector Kit Prodigy	\$295.49
7	W42396	OEM Hinge Pin Kit	\$26.69
8	W43528	OEM Wear Strip - Wing Top	\$3.39
9	W41751	OEM Wing Ds Prodigyo	\$457.79
10	W42383	Wing Cutting Edge Kit	\$257.89
11	W42397	OEM Spring Guide Pin Kit	\$14.29
12	W42395	OEM Bumper Kit	
13	W42392	OEM Spring Guide Ds	\$71.19
14	W49799	OEM Utting Edge Kit- Adj Win	\$200.89
15	W42725	OEM Spring 900 Lb	\$100.89

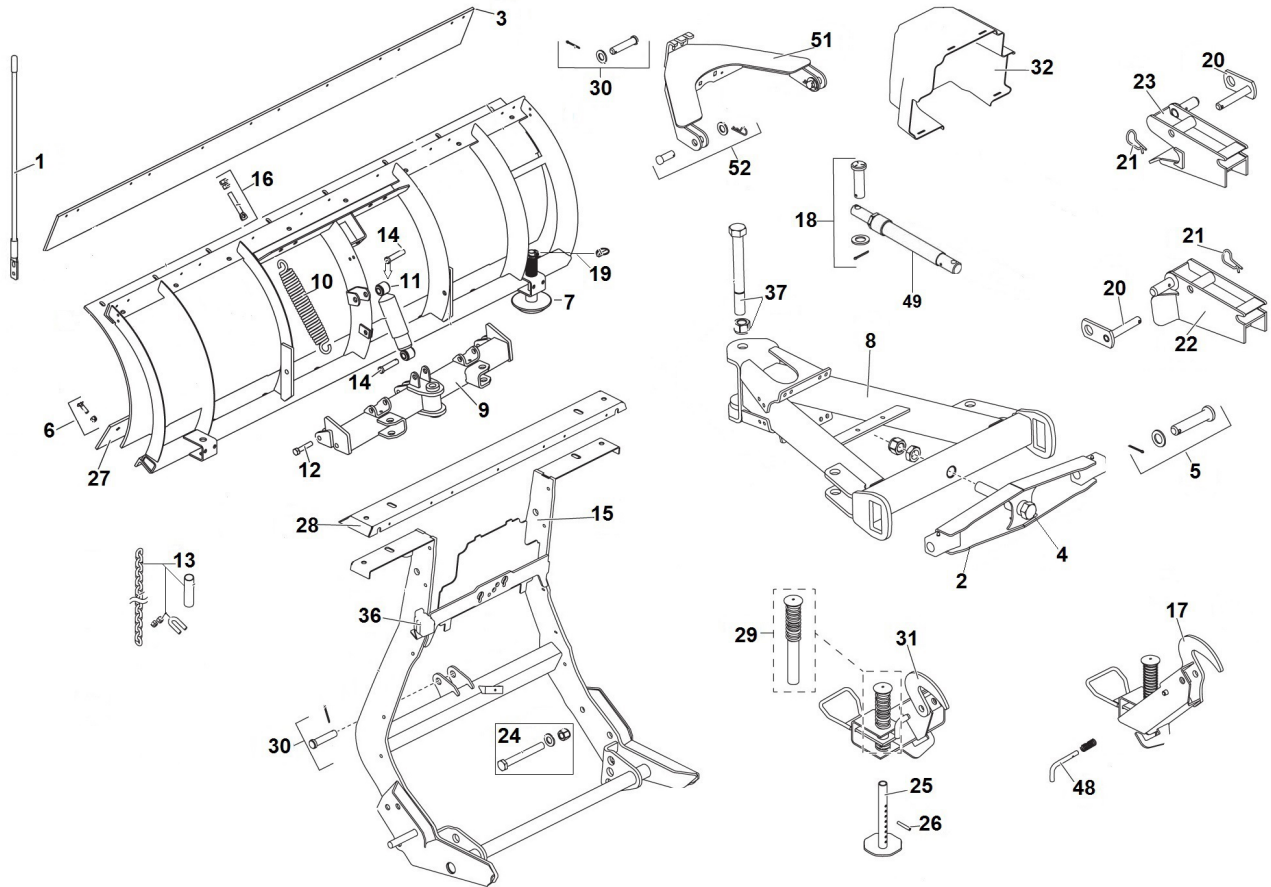
LOC NO	PART NUMBER	DESCRIPTION	PRICE
16	W42531	OEM Pivot Bushing Kit	\$36.69
17	W61615	OEM Nut Hex Jam 3/4-10	\$1.49
18	W61343	OEM Hex Nut3/4-10	\$9.99
19	W42389	OEM Cable Assembly W/hardware	\$178.09
20	W90601	Cotter Pin 1/4x1-1/2 OEM	\$.39
21	W61563	OEM In-clevis +.625 X 2.33 L	\$4.09
22	W42393	OEM Spring Guide Ps	\$71.19
23	W63979	Shock Absorber OEM Western	\$124.89
24	1302220	Pin 3/4 X 4	\$2.59
25	W90490	Eyebolt 5/8 x 4 OEM	\$7.59
26	W23039	Trip Spring OEM Western	\$13.09
27	W49769	OEM Quad	\$393.49
28	W42437	OEM Backdrag Edge Prodigy	\$137.49
29	W49853	OEM Shoe Kit Prodigy	\$117.09

Fax Orders: 248-442-8327

Phone Orders: 1.800.Angelo.2 (1.800.264.3562)

WESTERN ULTRAMOUNT 2 MIDWEIGHT PLOW PARTS

WESTERN ULTRAMOUNT 2 MIDWEIGHT PLOW PARTS



LOC NO	PART NUMBER	DESCRIPTION	PRICE
1	1308200	Blade Guides 24 Red Set	\$9.09
1	1308210	Blade Guides Think Snow 24	\$14.69
1	1308215	Flag & S Hook Think Snow	\$3.69
1	W59694	Flag Western OEM	\$5.49
1	W59700	Blade Guides Set OEM Western	\$48.79
2	1304420	Pivot Bar Ultramount	\$127.39
	W67842	Pivot Bar Kit OEM Western	\$185.99
3	1309025	Snow Deflector Rubber	\$67.89
	1309035	Snow Deflector Thermoplastic	\$64.69
3	W62396	Deflector 7.6 Ply Pro OEM	\$232.49
	W62402	Rubber Deflector Assy 8' OEM	\$311.29
4	W67855	Pivot Bolt W/nut OEM 1 X 7	\$20.59
5	W49645	Pivot Bar Pin Kit	\$9.99
6	1301061	Bolt Kit 10 Pcs 1/2 x 2	\$9.09
7	1303220	Shoe Assy Pro Plow Western	\$30.79
	W49071	Shoe Assy Pro, Plus, Western	\$49.49
	1303200	Shoe Assy St, Mid, Hts Western	\$15.89
8	W68291	A-Fame Ut Pro	\$562.79

Trade names, Meyer, Western, etc. used in this catalog are for reference purposes only. Angelo's Supplies, Inc. doesn't imply that the products are of these manufacturers. Prices subject to change without notice. All sales are final on electrical items. All authorized returns are subject to a 30% restocking fee. All special order items must be prepaid and sales are final. NO returns or exchanges will be permitted. NS-not shown.

WESTERN ULTRAMOUNT 2 MIDWEIGHT PLOW PARTS

LOC NO	PART NUMBER	DESCRIPTION	PRICE
9	W68290	W-OEM Quadrant Ut Pro	\$599.79
	W49531	W-OEM Quadrant Midweight	\$464.19
10	W23039	Trip Spring OEM Western	\$13.09
	1302010	Trip Spring Universal	\$10.39
11	W63979	Shock Absorber OEM Western	\$124.89
	W60338	Shock Absorber OEM To 2009	\$116.19
	1304408	Shock Absorber	\$51.59
12	W90132	Hexcapscrew 5/8-11x3 G5 OEM	\$4.59
	1302020	Bolt W/nut 5/8 X 3	\$2.79
13	W49033	Lift Chain OEM	\$45.79
14	W93063	Pin Clevis Kit 3/4 X 3-1/4 OEM	\$6.89
	1302225	Pin 3/4 x 3-1/2	\$2.39
15	W43303	Lift Frame SB OEM	\$329.29
16	W66421	Eyebolt W/nut OEM	\$9.29
	1302005	Eyebolt W/Nuts 5/8	\$2.39
17	W67846	Stand Assm Ps OEM	\$287.69
18	W63973	Ram Pin Kit OEM	\$16.09
	Z101324	Pin 3/4 x 3-1/2 W/washer	\$4.39
19	1303032	Linch Pin 7/16 Plow Shoes	\$.69
20	W42498	Receiver Pin OEM	\$17.99
21	W91965K	Hairpin Cotter 5/32" OEM	\$1.79
	1302252	Hair Pin New Style 3/16	\$.99
	Z100988	Hair Pin 3/16	\$.59
22	W42496	Receiver Ds Western OEM (W67858)	\$169.79
	1304406	Receiver DS Ultra Mount	\$86.99
23	W42497	Receiver Ps Western OEM (W67859)	\$169.79
	1304407	Receiver PS Ultra Mount	\$86.99

LOC NO	PART NUMBER	DESCRIPTION	PRICE
24	W66451	Hexcapscrew 3/4-10x6 G5 OEM	\$10.99
25	W67847	Stand Shoe Western OEM Ultra	\$40.59
	1303206	Stand Shoe Ultra Mount	\$17.49
26	W67635	Pin Roll 1/4 X 2 OEM	\$1.29
27	W49312	Cutting Edge Assy 7-1/2'	\$164.99
27	49351	Cut Edge 8 Western Poly & Pro	\$105.79
27	W49328	Cutting Edge Assy 8.0' P	\$177.89
27	W49089	Cut Edge Assy 8' P	\$173.99
27	W49086	Cut Edge Assy 8-1/2' P	\$185.89
27	49088-AS	Cut Edge 7.5 Western Uni Ultra	\$99.19
27	49089	Cut Edge 8 Western Pro Plow	\$105.79
27	W49088	Cut Edge 7.5 Western Uni Ultra	\$130.99
27	49086	Cut Edge 8.5 Western Pro Plow	\$112.39
28	W43302	Light Channel OEM	\$83.29
29	W48523	Stand Plunger Assm OEM	\$30.79
30	W68740	Clevis Pin Kit 3/4 X 3-1/2 OEM	\$8.99
31	W67845	Stand Assm Ds OEM	\$287.69
32	W68314	Cover Hydraulic OEM	\$81.69
36	W61246	Cable Rubber Cover OEM	\$8.29
37	W69494	Pivot Bolt Kit OEM	\$48.59
48	W67844	Stand Lock Pin Kit OEM	\$13.39
49	W64706	Cylinder 1.5 x 10 OEM	\$201.79
51	W43304	Lift Arm Kit OEM	\$77.39
52	W43351	Pin Kit 3/4 X 2 OEM	\$6.79



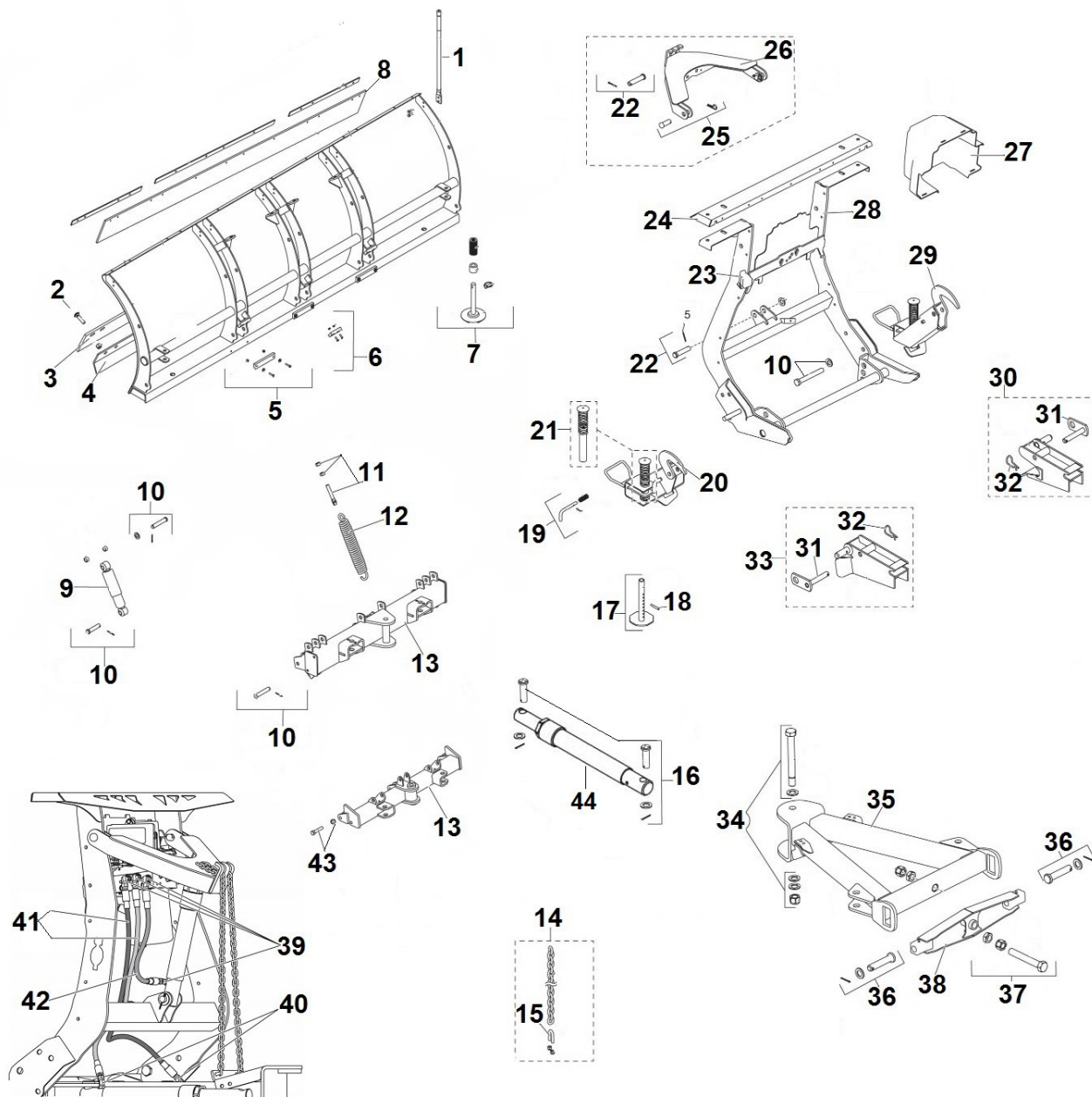
PART NUMBER	DESCRIPTION	PRICE
HF1-AS	Hydraulic Oil Quart	\$5.69
HFG	Hydraulic Oil Gallon	\$17.59
HF5020	Hydraulic Oil 5 Gallon Pail	\$65.99
W49311	Western Hydraulic Oil Quart	\$13.69
W49330	Western Gallon Jug Hydraulic Oil	\$33.19

Fax Orders: 248-442-8327

Phone Orders: 1.800.Angelo.2 (1.800.264.3562)

WESTERN ULTRAMOUNT PRO PLUS PLOW PARTS

WESTERN ULTRAMOUNT PRO PLUS PLOW PARTS



WESTERN ULTRAMOUNT PRO PLUS PLOW PARTS

LOC NO	PART NUMBER	DESCRIPTION	PRICE
1	Z101215	S Hook 1-1/2	\$1.49
1	W59694	Flag Western OEM	\$6.94
1	1308200	Blade Guides 24 Red Set	\$9.09
1	W59700	Blade Guides Set OEM Western	\$48.79
1	1308215	Flag & S Hook Think Snow	\$3.69
1	1308210	Blade Guides Think Snow 24	\$14.69
1	W62595	Blade Guide Assy Poly 24 OEM	\$35.19
2	W64183	W-OEM Bolt Kit Back Drag Edge	\$23.29
2	1301061	Bolt Kit 10-pcs 1/2 x 2	\$9.09
2	1301065	Bolt Kit 12 Pcs 5/8 x 2-1/2	\$10.99
3	63990	Cut Edge 9 Western Pro Plus	\$115.99
3	63985	Cut Edge 8.5 Western Pro Plus	\$112.39
3	63980	Cut Edge 8 Western Pro Plus	\$105.79
3	49088-AS	Cut Edge 7.5 Western Uni Ultra	\$99.19
3	49089	Cut Edge 8 Western Pro Plow	\$105.79
3	49086	Cut Edge 8.5 Western Pro Plow	\$112.39
4	W66991	Back Drag Edge 9'	\$130.69
4	W66999	Back Drag Edge 8.5'	\$125.79
4	W66892	Back Drag Edge 8'	\$119.99
5	W63977	Trip Stop OEM Western	\$13.99
6	W63976	Push Stop Kit OEM Western	
7	W49071	Shoe Assy Western Pro, Plus,	\$49.49
7	1303220	Shoe Pro Plow Western	\$30.79
8	1309025	Snow Deflector Rubber	\$67.89
9	W63979	Shock Absorber OEM Western	\$124.89
10	1302220	Pin 3/4 X 4	\$2.59
11	W90490	Eyebolt 5/8 x 4 OEM	\$7.59
11	1302005	Eyebolt W/Nuts 5/8	\$2.39
12	W23039	Trip Spring OEM Western	\$13.09
12	1302010	Trip Spring Universal	\$10.39
13	W68290	Quadrant Ut Pro OEM	\$599.79
13	W66930	Quadrant Pro Plus OEM Western	\$843.69
14	W49033	Lift Chain OEM Western	\$45.79
15	16103020	U Bolt W/Nuts	\$1.39
16	Z101324	Pin 3/4 x 3-1/2 W/washer	\$4.39
17	W67847	Stand Shoe Western OEM Ultra	\$40.59

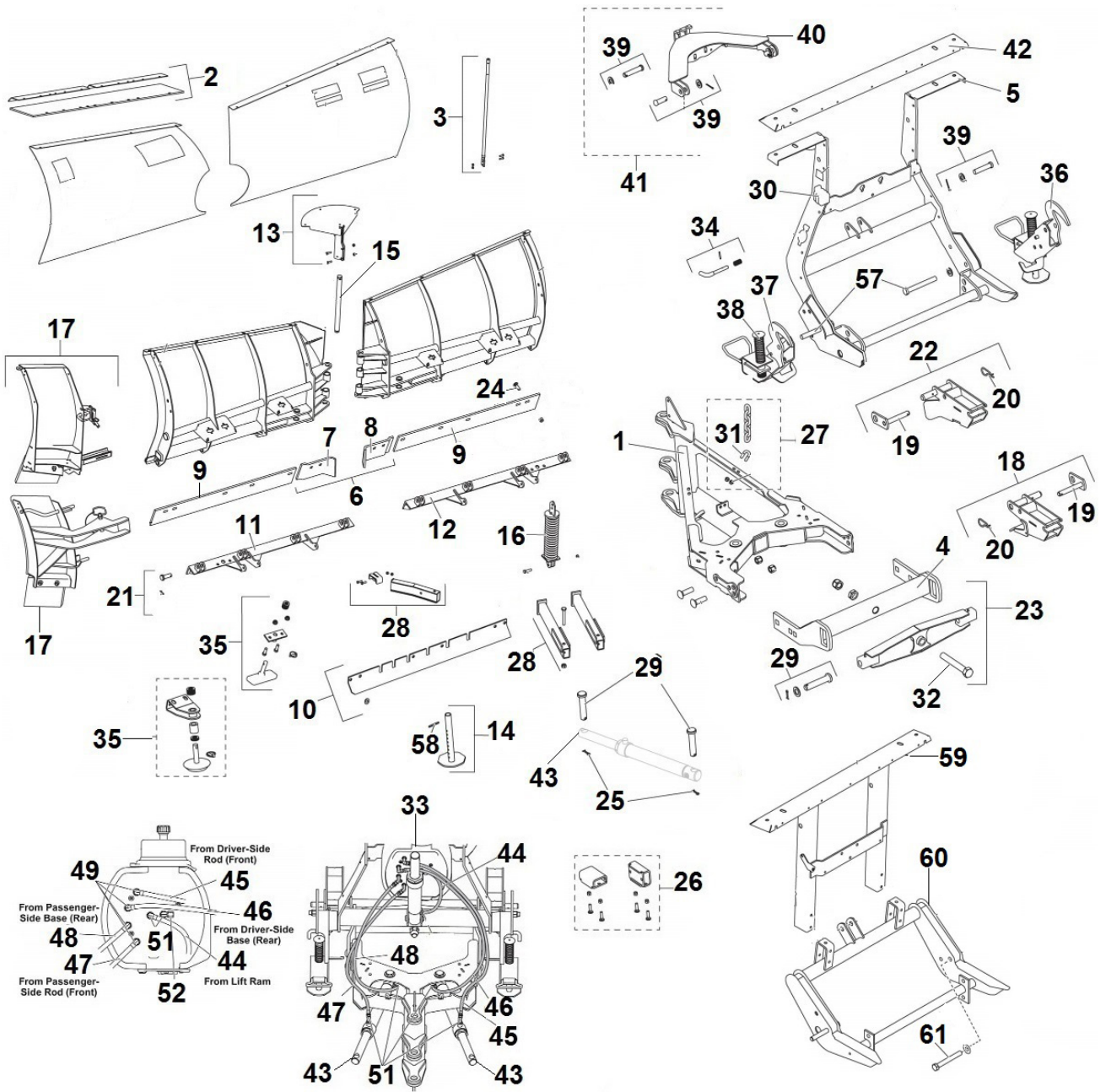
LOC NO	PART NUMBER	DESCRIPTION	PRICE
17	1303206	Stand Shoe Ultra Mount	\$17.49
18	W67635	Pin Roll 1/4 X 2 OEM	\$1.29
18	1303207	Pin Spring Slotted	\$.79
19	W67844	Stand Lock Pin Kit OEM Western	\$13.39
20	W67845	Stand Assm OEM Ds Western	\$287.69
21	W48523	Stand Plunger w/Spring Western	\$30.79
22	W68740	Clevis Pin Kit 3/4 x 3-1/2 Wes	\$8.99
22	W93065	Pin 3/4 X 3-1/2 Western OEM	\$18.39
22	1302225	Pin 3/4 x 3-1/2	\$2.39
23	W61246	Cable Rubber Cover	\$8.29
24	W43302	Light Channel OEM	\$83.29
25	W43351	W-OEM 3/4 X 2 Pin Kit	\$6.79
25	1302300	Pin 3/4 X 2	\$1.19
26	W43304	Lift Arm Kit OEM	\$77.39
27	W68314	W-OEM Cover Hydraulic	\$81.69
28	W43303	W-OEM Lift Frame Sb	\$329.29
29	W67846	Stand Assm OEM Ps Western	\$287.69
30	W42497	Receiver Ps Western OEM (W67859)	\$169.79
30	1304406	Receiver Ultra Mount Ds	\$86.99
31	W42498	Receiver Pin OEM	\$17.99
32	W91965K	W-OEM Hairpin Cotter 5/32"	\$1.79
32	1302252	Hair Pin New Style 3/16	\$.99
33	W42496	Receiver Ds Western OEM (W67858)	\$169.79
34	W63978	Pivot Bolt Kit OEM Western	\$67.49
35	W66920	A Frame OEM Western	\$625.29
36	W49645	Pin Kit Pivot Bar OEM	\$9.99
37	W67855	Bolt W/nut OEM 1 X 7	\$20.59
38	W67842	Pivot Bar Kit OEM Western	\$185.99
39	W56615	Elbow Kit 90deg-6 Mo-rin OEM	\$3.99
40	W26694	Elbow OEM	\$14.39
41	W49532	W-OEM Hose 3/8 X 36 W/fjic	\$26.09
42	W41094	Hose 1/4 x 18 OEM W/Fjic Ends	\$36.29
43	W90132	W-OEM Hexcapscrew 5/8-11x3 G5	\$4.59
43	1302020	Bolt W/nut 5/8 X 3	\$2.79
44	W64148	Cylinder 1.5 x 12 OEM	\$265.29

Fax Orders: 248-442-8327

Phone Orders: 1.800.Angelo.2 (1.800.264.3562)

WESTERN ULTRAMOUNT MVP PLUS & MVP 3 PLOW PARTS

WESTERN ULTRAMOUNT MVP PLUS & MVP 3 PLOW PARTS



Trade names, Meyer, Western, etc. used in this catalog are for reference purposes only. Angelo's Supplies, Inc. doesn't imply that the products are of these manufacturers. Prices subject to change without notice. All sales are final on electrical items. All authorized returns are subject to a 30% restocking fee. All special order items must be prepaid and sales are final. NO returns or exchanges will be permitted. NS-not shown.

WESTERN ULTRAMOUNT MVP PLUS & MVP 3 PLOW PARTS

LOC NO	PART NUMBER	DESCRIPTION	PRICE
1	W43116	T-Frame Service Kit OEM	\$681.59
1	W44546	T Frame Service Kit Mvpp OEM	\$695.49
2	W41810	Deflector Western 10 Standard	\$291.59
2	W44280	Deflector Mvp Plus	\$289.59
3	1308200	Blade Guides 24 Red Set	\$9.09
3	W44028	Pivot Pin OEM Western	\$31.59
3	W62595	Blade Guide Assy Poly 24 OEM	\$35.19
4	W44557	Pushbeam Assembly Western	\$544.99
5	W43301	W- OEM Lift Frame	\$313.19
6	1311208	Cut Edge Mvp+ Center Kit	\$84.09
6	W44894	Center Cutting Edge Kit OEM	\$109.99
7	1311207	Cut Edge Center Ds Western	\$37.99
8	1311206	Cut Edge Center Ps Western	
9	44898	Cut Edge 9.5 Mvpp PS/DS 1 Side	\$87.09
9	44996	Cut Edge 7.5 Mvpp PS/DS 1 Side	\$88.29
9	44997	Cut Edge 8.5 Mvpp PS/DS 1 Side	\$78.69
9	W44898	Cut Edge 9.5 X 1/2 OEM	\$147.99
9	W44996	Cutting Edge 7.5 x 1/2 OEM	\$150.99
9	W44997	Cut Edge 8.5 X 1/2 OEM	\$128.99
10	W44281	Cut Edge Back Drag 7.5 Mvp Set	\$233.09
10	W44282	W-OEM Back Drag Edge Kit 8.5	\$286.69
10	W44283	Cut Edge Back Drag 9.5 Mvp Set	\$319.89
11	W43126	Base Angle Ds 7.5 MVP3 OEM	\$376.59
11	W43128	Base Angle Ds 8.5 MVP3 OEM	\$436.79
11	W43130	Base Angle Ds 9.5 MVP3 OEM	\$497.89
11	W44142	Base Angle Ds 7.5	\$385.69
11	W44144	Base Angle Mvp Plus 8.5 DS	\$447.49
11	W44146	Base Angle Mvpp OEM 9.5 DS	\$509.79
12	W43127	Base Angle Ps 7.5 MVP3 OEM	\$376.59
12	W43129	Base Angle Ps 8.5 MVP3 OEM	\$436.79
12	W43131	Base Angle Ps 9.5 MVP3 OEM	\$497.89
12	W44143	Base Angle 7.5 Ps Western	\$385.69
12	W44145	Base Angle 8.5 Ps	\$447.49
12	W44147	Base Angle Mvpp OEM 9.5 PS	\$509.79
13	W43118	Center Snow Control Kit MVP3	\$115.89
13	W44570	Center Deflect Assy 7 Ft OEM	\$116.69
13	W44571	Center Deflector Kit Mvp Plus	\$122.09
14	1303206	Stand Shoe Ultra Mount	\$17.49
14	W67847	Stand Shoe Western OEM Ultra	\$40.59
15	W49844	Pivot Pin MVP3 OEM	\$40.59
16	W21452	Spring Assm Western	\$73.29
17	W43510	Blade Wing Extensions MVP 3	\$800.49
17	W44510	Wing Kit Mvp Plus 7.5 - 9.5	\$779.09
18	1304407	Receiver Ultra Mount Ps	\$86.99
18	W42497	Receiver Kit Ps OEM (W67859)	\$169.79
19	W42498	Receiver Pin OEM	\$17.99
20	1302250	Cotter Pin 5/32 x 1-1/2	\$.19
21	Z100911	Pin 1 X 3 w/Cotter Pin	\$3.79

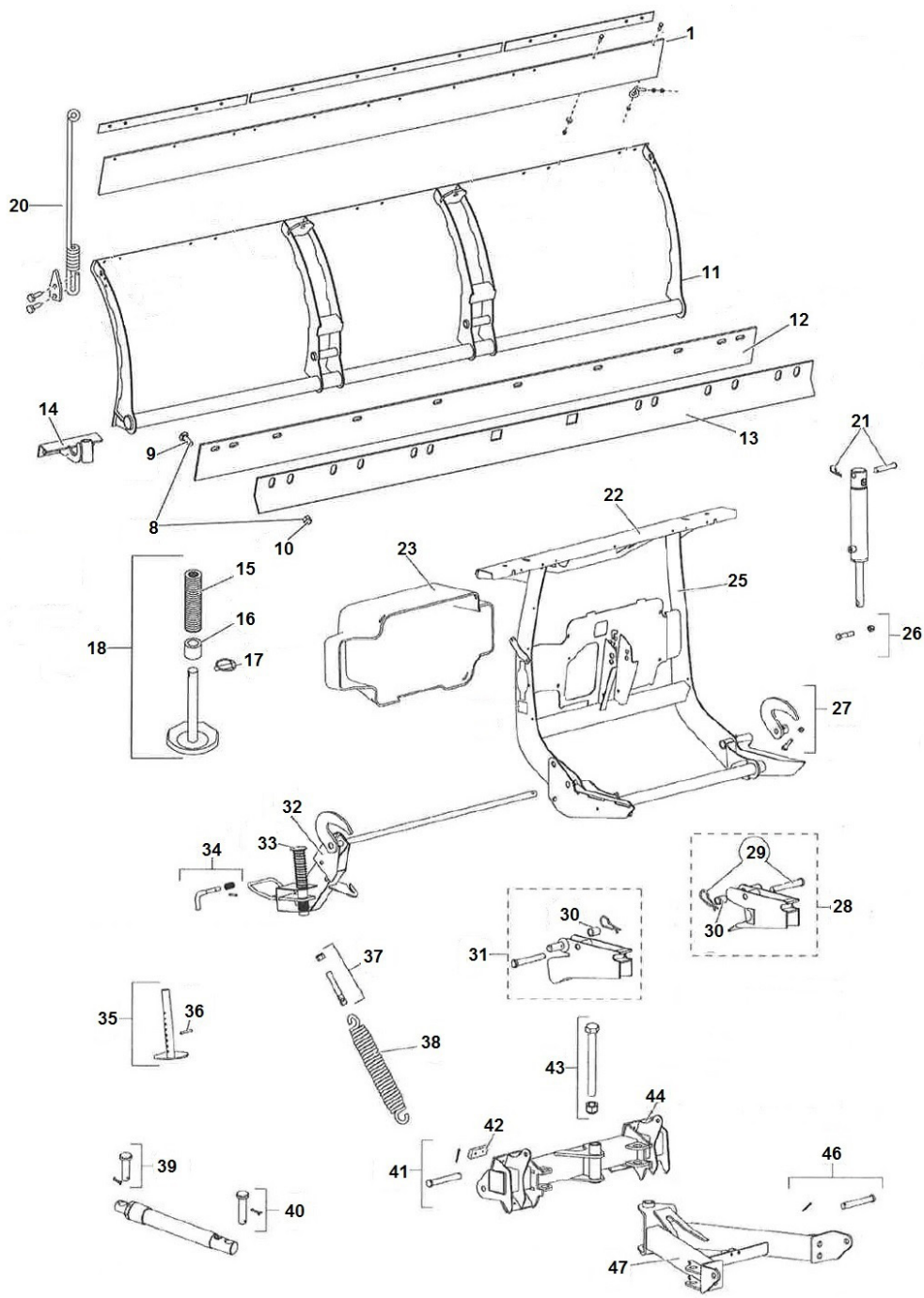
LOC NO	PART NUMBER	DESCRIPTION	PRICE
22	1304406	Receiver Ultra Mount Ds	\$86.99
22	W42496	Receiver Ds Western OEM (W67858)	\$169.79
23	1304420	Pivot Bar Ultramount	\$127.39
23	W67842	Pivot Bar Kit OEM Western	\$185.99
24	1301065	Bolt Kit 12 Pcs 5/8 x 2-1/2	\$10.99
25	Z100862	Cotter Pin 1/4 X 2-1/2	\$.59
26	W43153	Stacking Stop Kit MVP3	\$33.69
27	W49033	Lift Chain OEM Western	\$45.79
28	W43082	Blade Stop Kit MVP3	\$176.49
28	W44473	Blade Stop Kit OEM MVP3	\$174.59
28	W44727	Stop Stacking Kit OEM	\$59.69
29	W49645	Pin Kit Pivot Bar OEM	\$9.99
29	Z101448	Pin 1 X 5	\$6.99
30	W61246	Cable Rubber Cover	\$8.29
31	16103020	U Bolt W/Nuts	\$1.39
32	W67855	Bolt W/nut OEM 1 X 7	\$20.59
33	1304201	Cylinder 1.5 X 8 Ultra Mount	\$58.09
33	W43149	Ram Assy 1-3/4 X 8 MVP3 OEM	\$212.99
34	W67844	Stand Lock Pin Kit OEM Western	\$13.39
35	W43088	Shoe Kit MVP3 OEM	211.59
35	W44277	Shoe Kit Mvp Plus & Wideout	\$171.69
36	W67846	Stand Assm OEM Ps Western	\$287.69
37	W67845	Stand Assm OEM Ds Western	
38	W48523	Stand Plunger w/Spring Western	\$30.79
39	1302225	Pin 3/4 x 3-1/2	\$2.39
39	W64617	Pin 3/4 X 3-1/2 OEM	\$6.39
40	W67850	Lift Arm OEM	\$120.29
41	W43304	Lift Arm Kit OEM	\$77.19
42	W43302	Light Channel OEM	\$83.29
43	W44341	Cylinder 1.75 X 11 OEM	\$413.89
44	W41094	Hose 1/4 x 18 OEM W/Fjic Ends	\$36.29
45	1304727	Hose 3/8 x 44 Boss	\$26.39
45	W56616	Hose 1/4 X 42 W/FJIC End OEM	\$39.79
46	W44350	Hose 3/8 X 45 w/FJIC Ends OEM	\$36.09
47	1304234	Hose 1/4 x 36 W/f Jic Ends	\$15.39
47	W56599	Hose 1/4 X 36 w/FJIC End OEM	\$21.69
48	1304236	Hose Angle Rear Ps 3/8 Female	\$15.99
48	W44351	Hose 3/8 X 38 OEM	\$30.59
49	W64212	Elbow Kit Long 90deg-6 OEM	\$12.79
51	W56615	Elbow Kit 90deg-6 Mo-rin OEM	\$3.99
52	W44346	OEM Cap -6 Sae Flared Tube	\$11.09
57	Z101316	Pin 3/4 X 6	\$2.59
58	W67635	Pin Roll 1/4 X 2 OEM	\$1.29
59	W44545	Upper Lift Frame Ultramount OEM	\$360.79
60	W67556	Lower Lift FrameUT MVP-MVP PLUS	\$709.69
61	W66451	Bolt 3/4 x 6 OEM	\$10.99
61	Z101339	Bolt W/Nut 3/4 x 6	\$6.59

Fax Orders: 248-442-8327

Phone Orders: 1.800.Angelo.2 (1.800.264.3562)

WESTERN ULTRAMOUNT HTS PLOW PARTS

WESTERN ULTRAMOUNT HTS PLOW PARTS



Trade names, Meyer, Western, etc. used in this catalog are for reference purposes only. Angelo's Supplies, Inc. doesn't imply that the products are of these manufacturers. Prices subject to change without notice. All sales are final on electrical items. All authorized returns are subject to a 30% restocking fee. All special order items must be prepaid and sales are final. NO returns or exchanges will be permitted. NS-not shown.

WESTERN ULTRAMOUNT HTS PLOW PARTS

LOC NO	PART NUMBER	DESCRIPTION	PRICE
1	1309025	Snow Deflector Rubber	\$67.89
1	W62123	W-OEM Rubber Deflector Kit 7.5	\$172.59
8	1301061	Bolt Kit 10-pcs 1/2 x 2	\$9.09
8	W69425	W-OEM Cut Edge Bolt Bag	\$19.69
9	W5572	Bolt OEM 5/8 X 2	\$4.19
10	W91337	W-OEM Lock Nut Hex 5/8	\$3.49
11	W69490	Moldboard Steel 7-1/2'	\$1019.79
12	W69505	W-OEM Cut Edge 5/16 X 6 X 90	\$131.99
13	W64758	7.5' BACK DRAG EDGE 0.25" THK	\$114.09
14	W69455	W-OEM Shoe Bracket Weldment	\$33.39
15	W91192	W-OEM Flatwasher-special	\$.49
16	W60045	Spacer For Plow Shoes	\$3.39
17	W93010	Linch Pin 7/16 X 1.75 OEM	\$.89
18	1303200	Shoe Asy Western St, Mid, HTS	\$15.89
18	W49067	Shoe OEM Western St, Mid, HTS	\$24.49
18	W69570	W-OEM Shoe Assy Kit - Hts (pai	\$123.89
20	W59694	Flag Western OEM	\$5.49
20	1308215	Flag & S Hook Think Snow	\$3.69
20	1308200	Blade Guides 24 Red Set	\$9.09
20	W59700	Blade Guides Set OEM Western	\$48.79
20	1308210	Blade Guides Think Snow 24	\$14.69
21	W50653	Pin 5/8 X 3 OEM Western	\$6.99
22	W69509	Light Bar Mount OEM Western	\$205.29
23	W69512	W-OEM Cover, Hydraulic	\$97.19
25	W69497	W-OEM Lift Frame	\$416.29

LOC NO	PART NUMBER	DESCRIPTION	PRICE
26	W69514	W-OEM Pin Kit Ram	\$3.09
27	W69508	W-OEM Hook Ps With Hardware	\$30.59
28	W69610	W-OEM Receiver Ps Kit	\$90.19
29	W69663	W-OEM Receiver Retaining Pin	\$10.49
30	W63212	Spacer Lift Unit Bolt OEM	\$2.19
31	W69611	W-OEM Receiver Ds Kit	\$90.19
32	W69498	W-OEM Stand Asm	\$135.99
33	W48523	Stand Plunger w/Spring Western	\$30.79
34	W67844	Stand Lock Pin Kit OEM Western	\$13.39
35	1303206	Stand Shoe Ultra Mount	\$17.49
35	W67847	Stand Shoe Western OEM Ultra	\$40.59
36	W67635	Pin Roll 1/4 X 2 OEM	\$1.29
37	W66421	Eyebolt W/nut OEM Western	\$9.29
37	1302005	Eyebolt W/Nuts 5/8	\$2.39
38	W23039	Trip Spring OEM Western	\$13.09
39	Z101324	Pin 3/4 x 3-1/2 W/washer	\$4.39
39	W63973	RAM PIN KIT	\$16.09
40	W69496	W-OEM Pin Kit	\$15.99
41	W69659	W-OEM Clevis Pin Kit, 3/4 X 6	\$9.39
42	W63976	Push Stop Kit OEM Western	\$13.99
43	W69494	W-OEM Pivot Bolt Kit	\$48.59
44	W69515	W-OEM Quadrant	\$291.39
46	1302225	Pin 3/4 x 3-1/2	\$2.39
46	W93062K	W-OEM Clevis Pin Kit 3/4 X 3-1	\$8.49
47	W69523	W-OEM A Frame	\$270.59

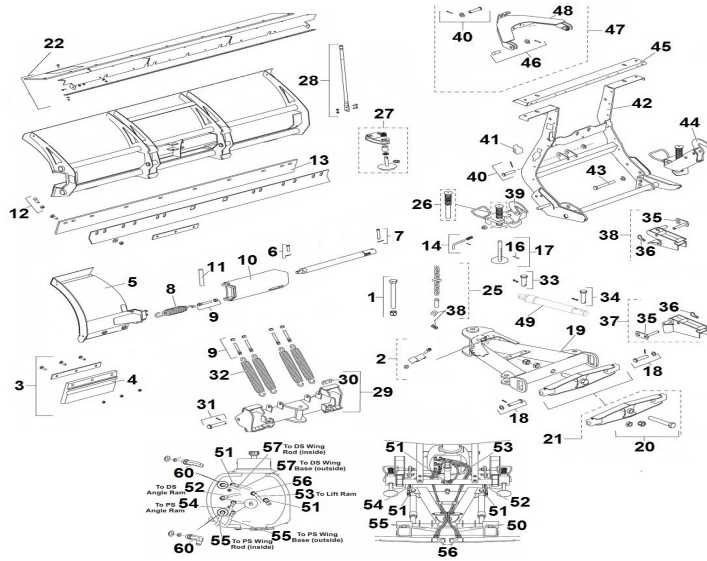


PART NUMBER	DESCRIPTION	PRICE
HF1-AS	Hydraulic Oil Quart	\$5.69
HFG	Hydraulic Oil Gallon	\$17.59
HF5020	Hydraulic Oil 5 Gallon Pail	\$65.99
W49311	Western Hydraulic Oil Quart	\$13.69
W49330	Western Gallon Jug Hydraulic Oil	\$33.19

Fax Orders: 248-442-8327

Phone Orders: 1.800.Angelo.2 (1.800.264.3562)

WESTERN ULTRAMOUNT WIDEOUT PLOW PARTS



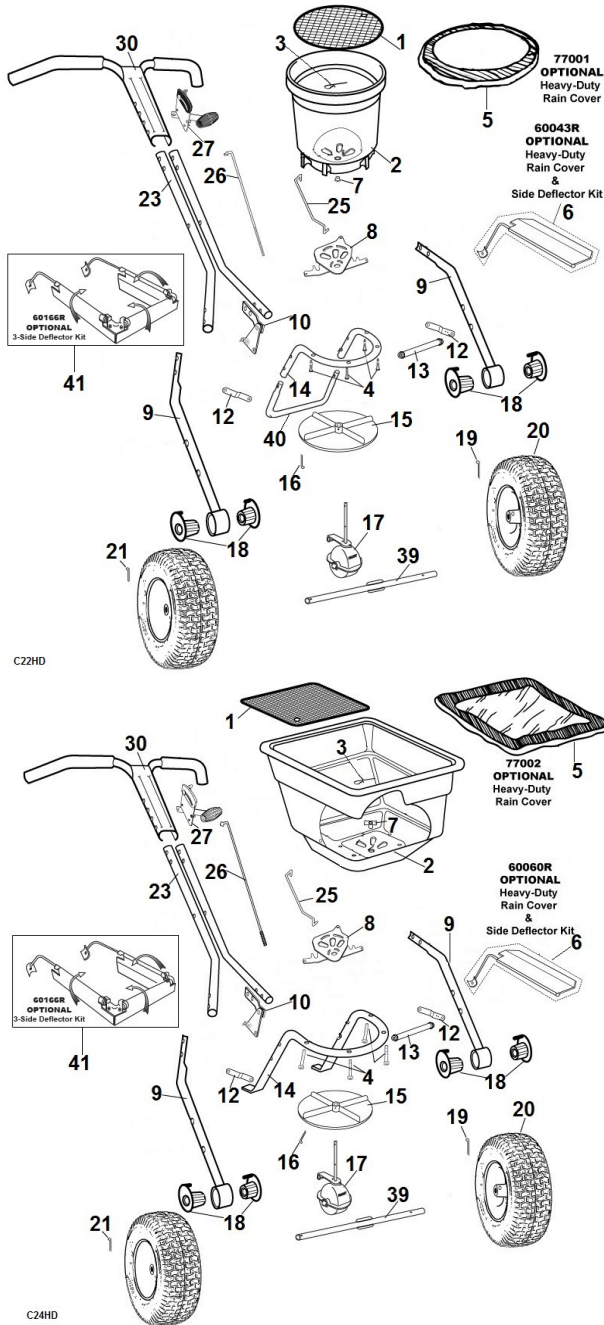
WESTERN ULTRAMOUNT WIDEOUT & EARTHWAY C22 & C24 PARTS, HATS & GLOVES

LOC NO	PART NUMBER	DESCRIPTION	PRICE
1	W50668	Pivot Bolt OEM Western	\$71.19
2	W49479	Hose Bracket Kit OEM	\$10.59
3	W50626	Urethane Edge Assy Kit OEM	\$203.89
4	W50645	Edge Urethane Western OEM	\$99.99
5	W50649	Blade Wing Ds Western	\$470.39
	W50650	Blade Wing Ps Western	
6	W50651	Pin 5/8 X 2 OEM Western	\$6.09
7	W50653	Pin 5/8 X 3 OEM Western	\$6.99
8	W50654	Spring Wing OEM Western	\$47.49
9	W66421	Eyebolt W/nut OEM Western	\$9.29
	1302005	Eyebolt W/Nuts 5/8	\$2.39
10	W50658	Blade Slidebox, DS Wide-Out OEM	\$238.79
11	W50660	Wing Pin OEM Western	\$28.79
12	W50661	Stop Bolt Kit Western	\$7.49
13	64775	Cut Edge 7.5 Western Pro Plus	\$99.19
	W64775	Cutting Edge Kit 7.5 - Pp OEM	\$190.89
	1301294	Cutting Edge 7.5 x 6 x 1/2	\$100.29
14	W67844	Stand Lock Pin Kit OEM Western	\$13.39
16	W67635	Pin Roll 1/4 X 2 OEM	\$1.29
17	W67847	Stand Shoe Western OEM Ultra	\$40.59
	1303206	Stand Shoe Ultra Mount	\$17.49
18	W49645	Pin Kit Pivot Bar OEM	\$9.99
19	W50670	A Frame OEM Western	\$449.19
20	W67855	Bolt W/nut OEM 1 X 7	\$20.59
21	W67842	Pivot Bar Kit OEM Western	\$185.99
21	1304420	Pivot Bar Ultramount	\$127.39
22	W52280	Deflector Wide-Out Western	\$299.59
25	W49033	Lift Chain OEM Western	\$45.79
26	W48523	Stand Plunger w/Spring Western	\$30.79
27	W44277	Shoe Kit Mvp Plus & Wideout	\$171.69
28	W62595	Blade Guide Assy Poly 24 OEM	\$35.19
29	W50675	Quadrant Western OEM	\$486.59
30	W63976	Push Stop Kit OEM Western	\$13.99
31	W50677	Pin OEM Western	\$11.99

LOC NO	PART NUMBER	DESCRIPTION	PRICE
32	W23039	Trip Spring OEM Western	\$13.09
	1302010	Trip Spring Universal	\$10.39
33	W50674	Pin Western OEM	\$8.59
34	W50672	Pin OEM Western	\$9.59
35	W42498	Receiver Pin OEM	\$17.99
36	1302252	Hair Pin New Style 3/16	\$.99
37	W42496	Receiver Kit Ds OEM	\$169.79
	1304406	Receiver Ultra Mount Ds	\$86.99
38	16103020	U Bolt W/Nuts	\$1.39
	W42497	Receiver Ps Western OEM (W67859)	\$169.79
	1304407	Receiver Ultra Mount Ps	\$86.99
39	W67845	Stand Assm OEM Ds Western	\$287.69
40	W68740	Clevis Pin Kit 3/4 x 3-1/2 Wes	\$8.99
41	W61246	Cable Rubber Cover	\$8.29
42	W43301	Lift Frame OEM	\$313.19
43	Z101339	Bolt W/nut 3/4 X 6	\$6.59
44	W67846	Stand Assm OEM Ps Western	\$287.69
45	W43302	Light Channel OEM	\$83.29
46	W43351	Pin Kit 3/4 X 2 OEM	\$6.79
47	W43304	Lift Arm Kit OEM	\$77.39
48	W67850	Lift Arm OEM Western	\$120.29
49	W49460	Cylinder OEM 1-1/2 X 10	\$175.89
	1304201	Cylinder 1.5 X 8 Ultra Mount	\$58.09
	W56538K	Ram Assy 1-1/2 X 8 Kit	\$178.19
50	W49468	Hose 3/8 x 78 W/fjic Ends OEM	\$48.69
51	W56615	Elbow Kit 90deg-6 Mo-riin OEM	\$3.99
	W44351	Hose 3/8 X 38 OEM	\$30.59
52	1304227	Hose Angle Front	\$17.59
	W56617	Hose Kit 1/4 X 16 W/fjic OEM	\$25.39
54	W49469	Hose 3/8 X 32 W/fjic OEM	\$33.59
55	W49467	Hose 3/8 X 67 Kit OEM	\$44.89
56	W26694	Elbow OEM	\$14.39
57	W49468	Hose 3/8 X 78 W/fjic OEM	\$48.69
60	W64212	Elbow Kit Long 90deg-6 OEM	\$12.79

Not all items are shown. Prices are subject to change without notice. All sales are final on electrical items. All authorized returns are subject to a 30% restocking fee. All special order items must be prepaid and sales are final. NO returns or exchanges will be permitted. NS-not shown.

EARTHWAY C22HD & C24HD SPREADER PARTS



LOC NO	PART NUMBER	DESCRIPTION	PRICE
1	E40002	Screen C22hd	\$5.89
	E40003	Screen C24r	\$5.39
2	E60152	Hopper Assm C22hd	\$51.95
	E60219	Hopper C24hd	\$72.69
3	Z100417	Hair Pin 3/32	\$.19
4	E31104	Flat Screw 14 X 1-1/2 C22hds	\$.69
	E36214	Screw 1/4-20 X 1-1/2 Ss	\$.69
5	E77001	Rain Cover C22hd	\$20.29
	E77002	Rain Cover C24hd	\$23.29
6	E60166	Deflector Kit C22/24HD	\$57.99
7	E12220	Gearbox Bushing	\$1.99
	E12209	Hopper Bushing C24hd 2130	\$.99
8	E12278	Shut off Plate C22/24 Hd	\$31.99
9	E25202	Lower Handle C22/24 Hd	\$29.09
10	E60299	Pivot/bracket Assm	\$7.59
12	E42237	Frame Brace C22-C24	\$3.79
13	E24704	Cross Brace C22/24 Hd	\$10.69
14	E25108	Frame 2150t/2170t/c25/f Series	\$18.39
	E25102	Frame C24hd	\$26.29
15	E12109	Spinner Plate C22hd C24hd 2130	\$10.99
16	E36105	Cotter Pin 1-1/4 2130	\$.49
17	E60333	Gearbox C22/24hd/2130/f80	\$43.09
18	E12352	Axle Bearing for C22hd/C24hd	\$1.99
19	Z100418	Cotter Pin 3/16 x 2-1/4	\$.49
20	E19117	Wheel C22hd C24hd	\$65.29
21	Z100419	Cotter Pin 1/8 x 1	\$.09
23	E25301	Handle Shaft C22/24 Hd	\$9.99
25	E44251	Pivot Rod C22/24 Hd	\$4.99
26	E42256	Control Arm C22/c24 Hd	\$4.89
27	E60298	Lever Assembly C22/24 Hd	\$12.89
30	E60069	Upper Handle C22hd C24hd	\$31.99
39	E24500	Axle Coined C22/24r/2170	\$22.95
40	E25723	Frame Foot Flex Select Painted	\$14.09
41	E60166R	Deflector Kit C22/24 Hd	\$57.99

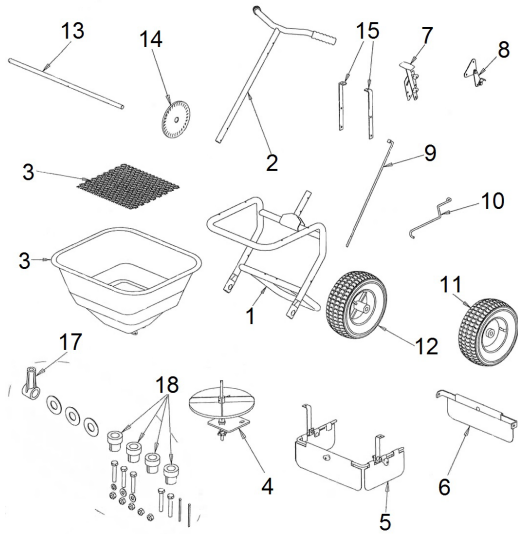
PART NUMBER	HATS & GLOVES	SALE PRICE
9901100	KNIT HAT, BUYERS SALTDogg	\$4.79
1R	Orange Rubber Glove	\$4.79
1W	GLOVE BLUE LATEX KNIT	\$1.59
1GR	GLOVE GREY THERMAL INSULATED	\$6.39
4789OL	Glove Artic Guard Orange Large	\$4.99
4789OX	Glove Artic Guard Orange X-Large	\$4.99
4789YX	Glove Artic Guard Yellow X-Large	\$4.99
4729BS	Glove Latex Coated Blaxk X-Large	\$2.99
C4ORXL	Glove Waterproof Orange X-Large	\$7.69
C4YXL	Glove Waterproof Yellow X-Large	\$7.19

Fax Orders: 248-442-8327

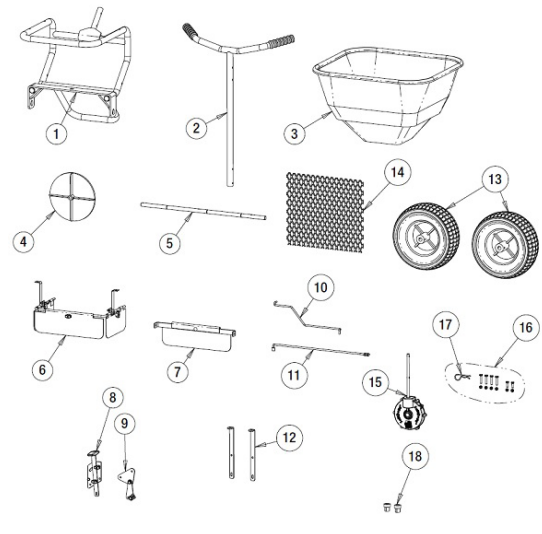
Phone Orders: 1.800.Angelo.2 (1.800.264.3562)

SALTDogg WB101G & WB201G SPREADER PARTS

SALTDogg WB101G - WB201G - WB400 - EARTHWAY 2130 SPREADER PARTS



WB100B & WB200B Old Model



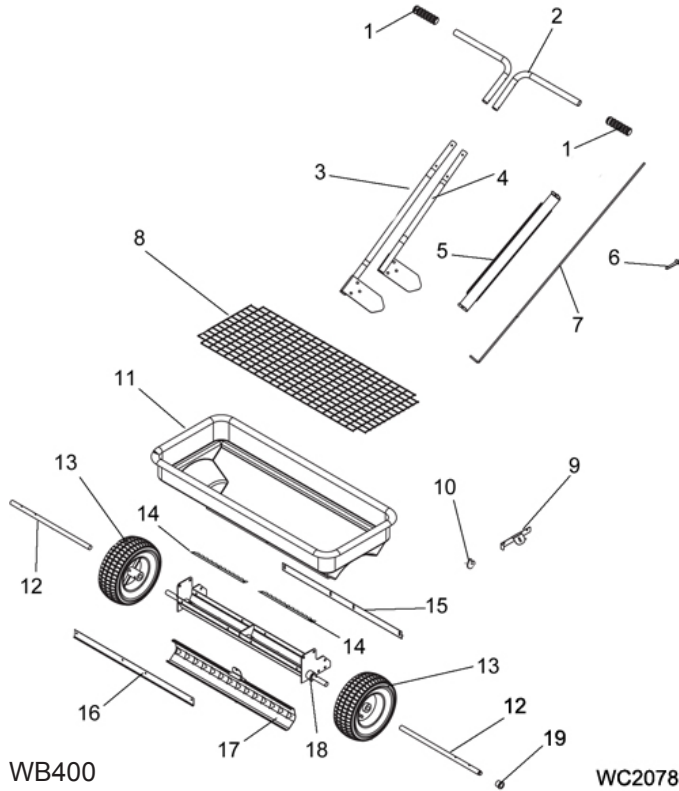
WB101G & WB201G New Model

LOC NO	PART NUMBER	DESCRIPTION	PRICE
1	3010868	Frame WB100B (older style)	\$33.49
	3011729	Frame WB200B (older style)	\$16.19
2	3010874	Handle WB100B/101G	\$10.09
	3011730	Handle WB200B/201G	\$48.79
3	3009162	Restrictor Plate WB100, WB200	\$7.19
	3012703	Hopper & Restrictor Plate	\$28.79
4	3012700	Spinner Assembly	\$15.85
	3012707	Spinner Assembly WB200B	\$29.29
4	3012696	Spinner Disc Walk Behind WB	\$6.89
	3015355	Spinner Shaft	\$12.09
5	3008142	Deflector Front/Side 100B/101G	\$20.69
6	3011734	Deflector Rear WB100B/101G	\$5.59
7	3009160	Control Handle WB100B/101G	\$11.49
8	3010878	Linkage Plate WB100/101G	\$3.69
9	3010880	Linkage Upper WB100B/101G	\$3.69
10	3010879	Linkage Lower WB100/101G	\$3.39
11	3014857	Wheel Walk Behind WB	\$26.09
12	3008813	Screen Walk Behind WB	\$6.59
13	3010870	Axle WB100B	\$10.19
	3021432	Axle WB100B/101G	
	3011740	Axle WB200B/201G	\$37.19
14	3012680	Drive Gear WB100B/WB200B	\$30.69
15	3010871	Bracket Hopper WB100B/101G	\$1.39
16	3012695	Shaft Support WB100B/WB200B	\$1.39
17	3012704	Axle Bushing Walk Behind	\$3.09
NS	3024674	E Clip	\$.59
NS	3015357	Hardware Kit Walk Behind WB	\$13.79
NS	3007874	Wing Nut WB100/200	\$1.39
NS	3007873	Agitator Pin Walk Behind	\$.89
NS	3007993	Rain Cover WB100B/WB200B,ATVS	\$14.49

LOC NO	PART NUMBER	DESCRIPTION	PRICE
1	3024672	Frame WB201G	\$26.19
	3021435	Frame WB101G	\$33.19
2	3011730	Handle WB200B/201G	\$48.79
	3010874	Handle WB100B/101G	\$10.09
3	3012703	Hopper & Restrictor Plate	\$28.79
4	3012696	Spinner Disc WalkBehind WB	\$6.89
5	3024673	Axle WB200B/201G	\$37.79
	3021432	Axle WB100B/101G	\$10.09
6	3011733	Deflector WB200B/201G	\$27.99
	3008142	Deflector WB100B/101G	\$20.69
7	3011735	Deflector Back WB200B/201G	\$13.39
	3011734	Deflector Back WB100B/101G	\$5.59
8	3011736	Control Handle WB200B/201G	\$19.59
	3009160	Control Handle WB100B/101G	\$11.49
9	3011737	Linkage Plate WB200B/201G	\$20.79
	3010878	Linkage Plate WB100B/101G	\$3.69
10	3011739	Linkage Lower WB200B/201G	\$7.49
	3010879	Linkage Lower WB100B/101G	\$3.39
11	3011738	Linkage Upper WB200B/201G	\$7.59
	3010880	Linkage Upper WB100B/101G	\$3.69
12	3011741	Bracket Hopper WB200B/201G	\$6.49
	3010871	Bracket Hopper WB100B/101G	\$1.39
13	3014857	Wheel WalkBehind WB	\$26.09
14	3008813	Screen WalkBehind WB	\$6.59
15	3027118	Gearbox Assy WB101/201G	\$36.29
16	3015357	Hardware Kit WalkBehind WB	\$13.79
17	3007873	Agitator Pin WalkBehind	\$.89
18	3012704	Axle Bushing WalkBehind	\$3.09
NS	3012702	Restrictor Plate WB101G/201G	\$3.09
NS	3009144	Hopper WalkBehind WB	\$28.49

Trade names, Meyer, Western, etc. used in this catalog are for reference purposes only. Angelo's Supplies, Inc. doesn't imply that the products are of these manufacturers. Prices subject to change without notice. All sales are final on electrical items. All authorized returns are subject to a 30% restocking fee. All special order items must be prepaid and sales are final. NO returns or exchanges will be permitted. NS-not shown.

SALTDogg WB400 SPREADER PARTS

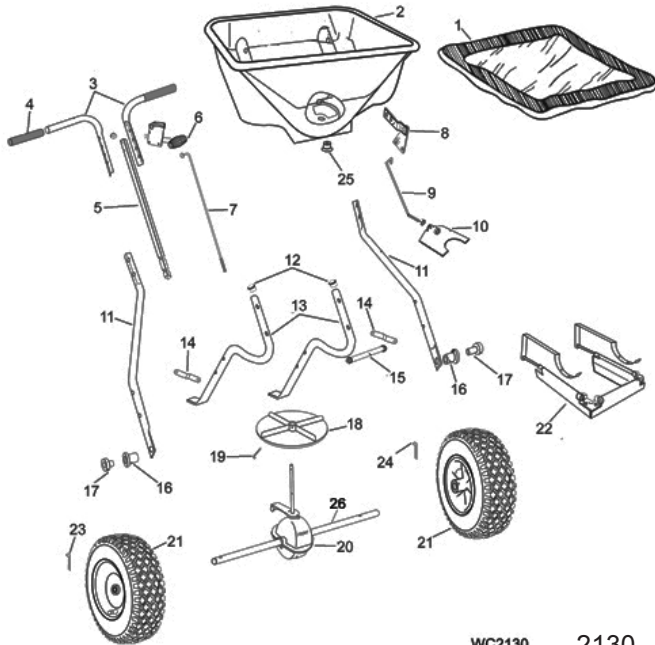


WB400

WC2078

LOC NO	PART NUMBER	DESCRIPTION	PRICE
1	3009135	Grip WB400	\$1.49
2	3016747	Handle WB400	\$4.69
3	3016745	Support WB400 Right Side	\$27.59
4	3016744	Support WB400 Left Side	
5	3016746	Channel WB400	12.69
6	3016760	Handle WB400	\$2.79
7	3016748	Rod WB400	\$3.59
8	3016738	Screen WB400	\$16.69
9	3016731	Guide WB400	\$7.29
10	3016749	Cam Wb400	\$3.19
11	3016737	Hopper Wb400	\$116.79
12	3016735	Axle WB400	\$22.09
13	3016736	Wheel WB400	\$39.49
14	3016722	Auger WB400	\$8.39
15	3016728	Retainer WB400	\$13.39
16	3016727	Retainer WB400	
17	3016730	Door WB400	\$29.69
18	3016765	Frame WB400	\$241.19
19	3016734	Bushing WB400	\$1.69
NS	3017047	Rain Cover WB400	\$19.19

EARTHWAY 2130 SPREADER PARTS



WC2130

2130

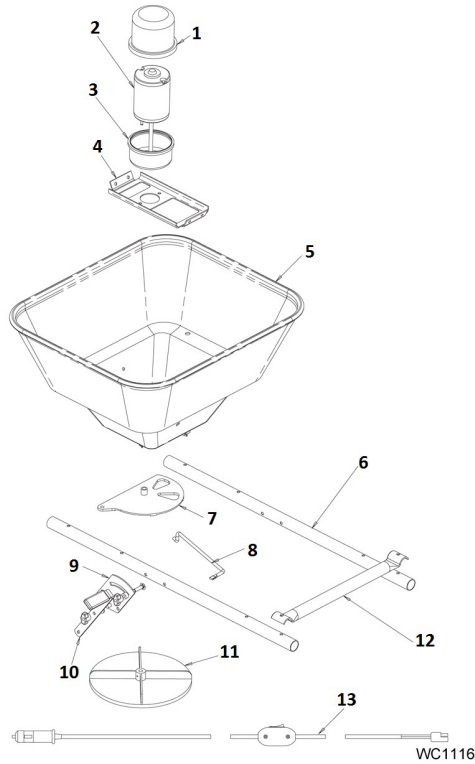
LOC NO	PART NUMBER	DESCRIPTION	PRICE
4	E12274	Handle Grip 2130	\$8.69
5	E25223	Handle Shaft 2130/2150/f80H	\$11.09
6	E60499	Gauge & Lever Assm 2130	\$8.99
7	E42256	Control Arm C22/c24 Hd	\$4.89
8	E60300	Bracket 2130	\$9.09
9	E44259	Pivot Rod 2130	\$1.99
10	E12354	Shut Off Plate 2130	\$17.29
11	E25222	Lower Handle Sq 2150/2170	\$10.39
12	E19132	Cap 2130	\$1.49
13	E25722	Frame 2130	\$7.79
14	E44292	Frame Brace 2130	\$1.49
15	E25228	Cross Brace 2150/2170/s25	\$13.19
16	E12148	Axle Bearing C22hd C24hd 2130	\$1.49
17	E12152	Axle Bushing 2150/2107/s25/f80	\$3.99
18	E12109	Spinner Plate C22hd C24hd 2130	\$10.99
19	E36105	Cotter Pin 1-1/4 2130	\$0.49
20	E60333	Gearbox C22/24hd/2130/f80	\$43.09
21	E70138	Wheel Drive-coast 2130	\$74.89
22	E60184	Deflector Kit 3 Sides 2130	\$57.99
23	E33108	Cotter Pin 3/16 X 1 Zinc	\$0.49
24	E33109	Cotter Pin 3/16 X 2 Zinc	\$0.49
25	E12209	Hopper Bushing C24hd 2130	\$0.99
26	E24500	Axle Coined C22/24r/2170	\$22.99
999	2130	2130 Walk Behind Spdr 70lb*	\$262.99

LOC NO	PART NUMBER	DESCRIPTION	PRICE
1	E77003	Rain Cover 2130	\$21.79
2	E60250	Hopper 2130	\$25.09
3	E60175	Upper Handle 2130	\$13.99

Fax Orders: 248-442-8327

Phone Orders: 1.800.Angelo.2 (1.800.264.3562)

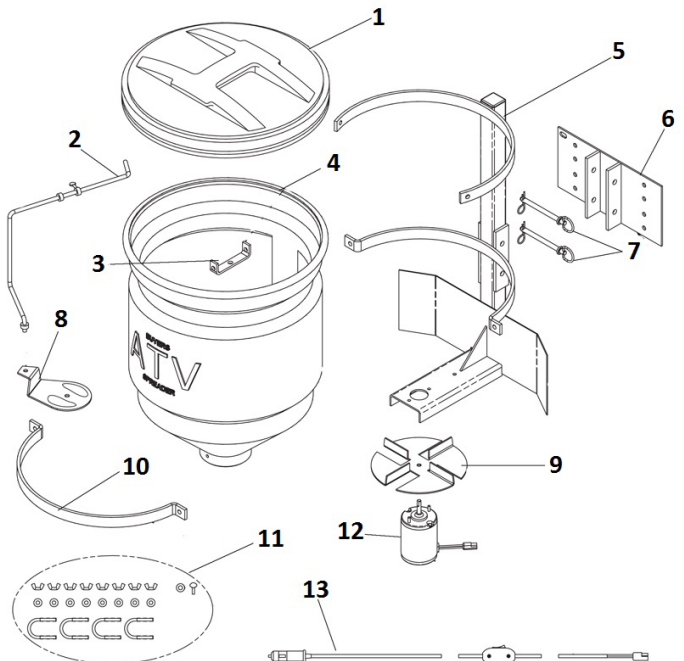
SALTDogg ATVS100 SPREADER PARTS



LOC NO	PART NUMBER	DESCRIPTION	PRICE
1	3008801	Motor Cover Top	\$4.09
2	3008793	Motor Atvs100	\$72.59
3	3008802	Motor Bottom Cover	\$4.09
4	3008796	Bracket Motor Mount	\$6.09
5	3008791	Hopper Atvs100	\$21.79
6	3008805	Frame Straight	\$8.79
7	3008792	Restrictor Plate	\$2.89
8	3008797	Control Rod	\$2.29
9	3007869	Control Plate	\$8.69
10	3008803	Control Handle	\$7.59
11	3007863	Spinner Atvs100	\$8.99
12	3008795	Crossmember Frame	\$6.59
13	3002232	Harness Atv, Atvs	\$10.69
NS	3007993	Rain Cover WB100B/WB200B,ATVS	\$14.49
NS	3008808	Hardware Bag Atvs	\$15.09

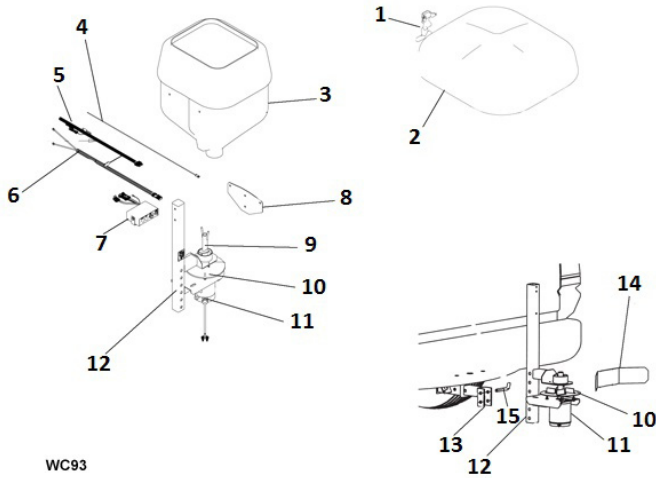
SALTDogg ATVS15A SPREADER PARTS

LOC NO	PART NUMBER	DESCRIPTION	PRICE
1	3009308	Lid Atv	\$18.09
2	3010422	Gate Control Atv	\$5.89
3	3001039	Gate Mount Bracket Atv	\$3.89
4	3019608	Hopper Atv	\$102.39
5	3009472	Frame Atv	\$67.19
6	3003297	Mounting Bracket Atv	\$52.49
7	3001281	Hitch Pin Atv	\$3.39
8	3019609	Shut off Gate Atv	\$9.59
9	3013824	Spinner Disk Atv	\$7.19
10	3003298	Hopper Strap Atv	\$11.19
11	3027932	Hardware Kit Atv	\$2.79
12	3000966	Motor Atv Spreader	\$55.79
13	3002232	Harness Atv, Atvs	\$10.69



Trade names, Meyer, Western, etc. used in this catalog are for reference purposes only. Angelo's Supplies, Inc. doesn't imply that the products are of these manufacturers. Prices subject to change without notice. All sales are final on electrical items. All authorized returns are subject to a 30% restocking fee. All special order items must be prepaid and sales are final. NO returns or exchanges will be permitted. NS-not shown.

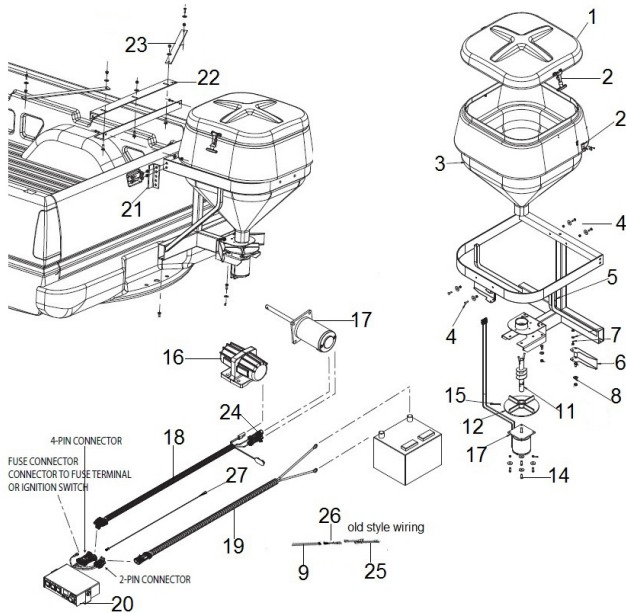
TGSUVPROA & TGS01B TAILGATE SPREADER PARTS



WC93

TGSUVPROA

LOC NO	PART NUMBER	DESCRIPTION	PRICE
1	3002398	Rubber Hood Latch	\$3.69
2	3003571	Lid Tgsuvproa	\$32.89
3	3013283	Hopper With Molded Graphic*	\$110.29
4	0203700	Harness Blue Wire 36 Long	\$2.89
5	3008620	Harness Main W/ Vibrator TGS	\$72.49
6	3035937	Harness Power Wire TGS	\$57.49
7	3015371	Buyers Universal Control Box	\$202.29
8	3015788	Retainer Hopper Tgsuv	\$7.99
9	3007684	Auger Tgsuvproa	\$31.69
10	1420014	Clevis Pin 1/4 x 2-1/2	\$.59
10	3005706	Spinner TGSUVPROA-TGS01-05	\$18.89
11	3010220	Motor Universal Spreader	\$152.79
11	3014441	Motor 2 Wire New Style	\$203.09
12	3017107	Motor Auger Spinner Frame Assy	\$278.09
13	3004589	Receiver Mount TGSUV1	\$29.29
14	3005977	Spinner Shield Tgsuvproa	\$7.89
15	HP6253WC	Hitch Pin W/clip 5/8	\$1.39



TGS01B

LOC NO	PART NUMBER	DESCRIPTION	PRICE
5	3005920	Frame Weldment TGS01B	\$170.49
6	3005913	Shield TGS01B	\$15.69
7	Z111512	Shield 1/4 X3/4 Upper Bolt Kit	\$.89
8	Z111513	Screw For Lower Shield 3/8 x 3/4	\$.89
9	0203500	Plug Spreader Side TGS01B	\$16.69
11	0208000A	Auger Spinner Assmely	\$63.39
	3007811	Auger W/Set Screw TGS01B	\$31.69
12	3005706	Spinner TGSUVPROA-TGS01-05	\$18.89
14	Z111514	Bolt Kit 1/4 X 1 Motor TGS01B	\$.79
15	1420014	Clevis Pin 1/4 x 2-1/2	\$.59
16	3008241	Vibrator Kit 80 Lb	\$137.09
17	3014441	Motor 2 Wire New Style	\$203.09
	0202000	Motor Spreader 2-Terminal	\$129.99
18	3008620	Harness Main W/ Vibrator TGS	\$72.49
19	3035937	Harness Power Wire TGS	\$57.49
20	3015371	Buyers Universal Control Box	\$202.29
21	3003617	Mounting Adaptor Angle TGS	\$11.89
22	3003620	Mounting Angle For TGS	\$25.99
23	3003973	Mounting Brace TGS	\$7.79
24	3020301	Connector Kit TGS	\$10.29
25	0203200	Plug Truck Side TGS01B/TGS05B	\$24.09
26	3009863	Harness Adapter Old/New Style	\$10.19
27	0203700	Harness Blue Wire 36 Long	\$2.89
NS	0203600	Wire Assembly 18.5' Red	\$13.29
NS	0203800	Cable Red 96 TGS05B	\$6.19

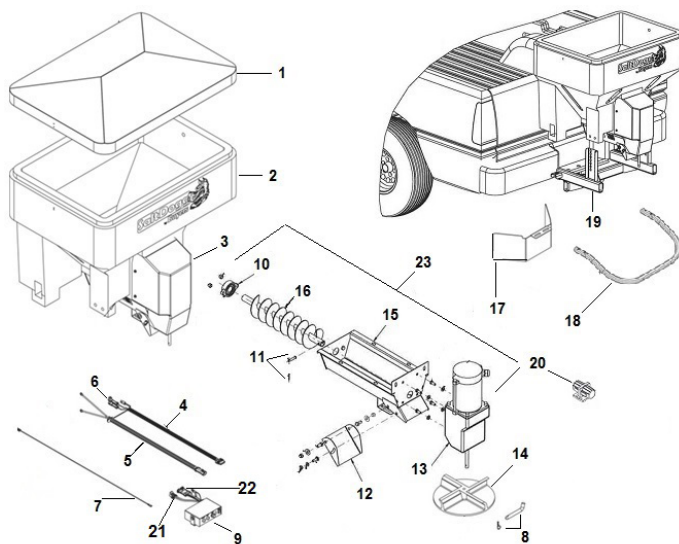
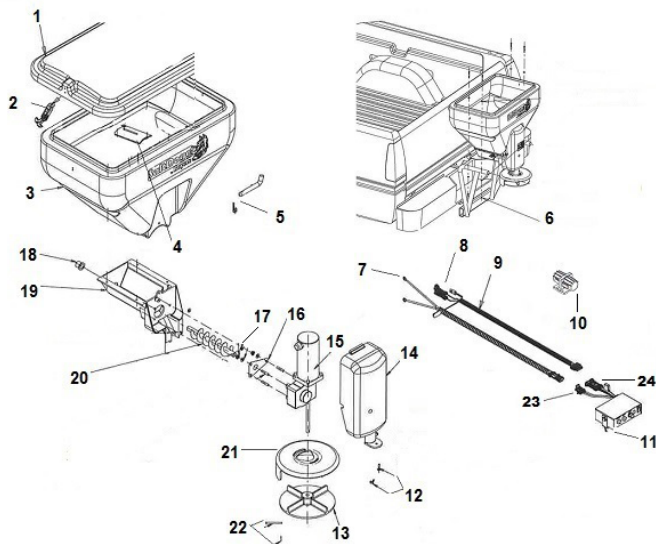
LOC NO	PART NUMBER	DESCRIPTION	PRICE
1	3003079	Lid All TGS01 Models	\$47.19
2	3002398	Rubber Hood Latch	\$3.69
3	3006095	Hopper W/sleeve Assembly	\$165.29
4	Z111509	Hopper 1/4 x 1 Carriage Bolt	\$.69

Fax Orders: 248-442-8327

Phone Orders: 1.800.Angelo.2 (1.800.264.3562)

TGS02 & TGS03 TAILGATE SPREADER PARTS

BUYERS TGS02 - TGS03 - TGS05B - TGS06 TAILGATE SPREADER PARTS



TGS02

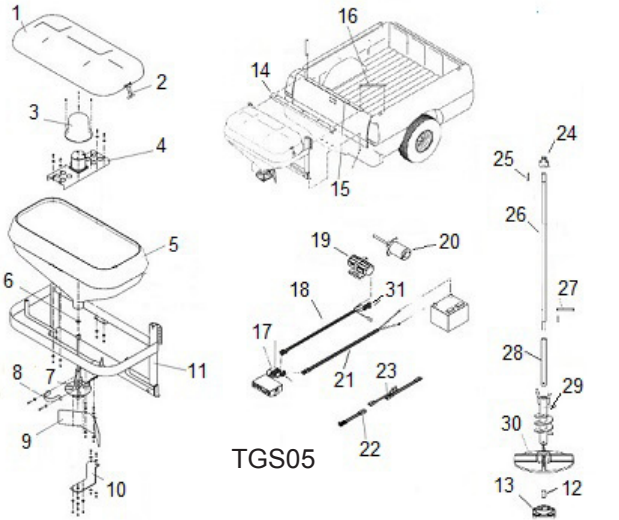
TGS03

LOC NO	PART NUMBER	DESCRIPTION	PRICE
1	3024593	Lid TGS02	\$36.19
2	WJ215	Rubber Latch	\$3.19
3	3026096	Hopper TGS02	\$143.59
4	3024180	Flow Gate	\$4.19
5	HP6253WC	Hitch Pin W/clip 5/8	\$1.39
6	3024170	Frame TGS02	\$140.99
7	3035937	Harness Power Wire TGS	\$57.49
8	3020301	Connector Kit TGS	\$10.79
9	3008620	Harness Main W/ Vibrator TGS	\$72.49
10	3008241	Vibrator Kit 80 Lb	\$137.09
11	3015371	Buyers Universal Control Box	\$202.09
12	Z100268	Bolt w/Nut 1/4 x 1	\$1.59
13	3010970	Spinner Poly TGS06 TGS07	\$20.19
14	3026098	Cover Gear Motor TGS02	\$22.69
15	3024587	Gear Motor Dual Shaft TGS02	\$289.29
16	3024591	Retainer Gear Motor Chutetgs02	\$5.59
17	Z100269	Bolt w/Nut 1/4 x1-1/2	\$1.49
18	3024590	Sleeve Bearing .75 Flanged	\$8.39
19	3026097	Trough Tgs02	\$27.09
20	3024588	Auger Tgs02	\$31.19
21	3024168	Spinner Shield Tgs02	\$15.65
22	1420014	Clevis Pin 1/4 x 2-1/2	\$.59
23	3017238	Repair End 2 Pin Plug SHPE	\$9.99
24	3017233	Repair End 4 Pin Plug SHPE	\$16.59

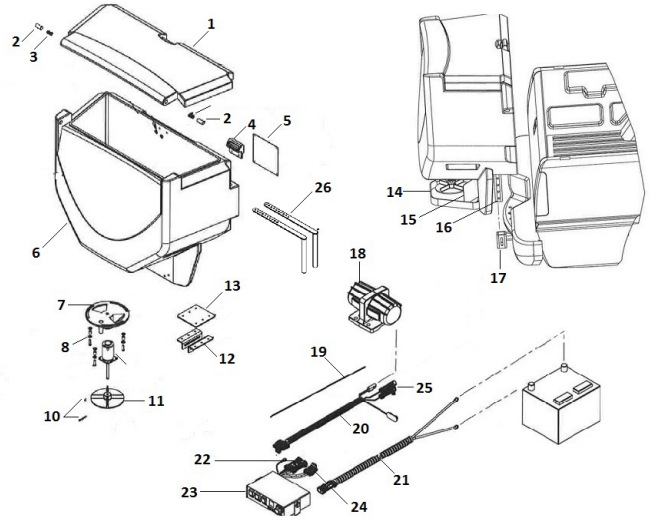
LOC NO	PART NUMBER	DESCRIPTION	PRICE
1	3019410	Lid Tgs03	\$86.69
2	3019471	Hopper Tgs03 Poly	\$320.79
3	3015694	Motor Cover TGS03-TGS07	\$11.99
4	3008620	Harness Main W/ Vibrator TGS	\$72.49
5	3035937	Harness Power Wire TGS	\$57.49
6	3020301	Connector Kit TGS	\$10.79
7	0203700	Harness Blue Wire 36 Long	\$2.89
8	HP6253WC	Hitch Pin W/clip 5/8	\$1.39
9	3015371	Buyers Universal Control Box	\$202.09
10	1411000	Bearing 2 Bolt Flange 1	\$10.09
11	FPY031000150	Pin 5/16 x 1-1/2	\$1.09
12	3019374	Discharge TGS03 TGS07	\$10.19
13	3015377	Gear Motor 12 V TGS03 TGS07	\$433.19
13	3021617	Coupler Motor-gearbox TGS03 07	\$8.79
14	3019561	Spinner 12" TGS03 & TGS07	\$44.09
15	3015381	Trough Weldment TGS03 TGS07	\$134.89
16	3015382	Auger TGS03 TGS07	\$36.79
17	3015707	Shield TGS03 TGS07	\$26.19
18	3018923	Spinner Protector TGS03	\$34.69
19	3019400	Frame TGS03	\$178.99
20	3008241	Vibrator Kit 80 Lb	\$137.09
21	3017238	Repair End 2 Pin Plug SHPE	\$9.99
22	3017233	Repair End 4 Pin Plug SHPE	\$16.59
23	3015383	Trough Assembly TGS03-TGS07	\$625.39

Trade names, Meyer, Western, etc. used in this catalog are for reference purposes only. Angelo's Supplies, Inc. doesn't imply that the products are of these manufacturers. Prices subject to change without notice. All sales are final on electrical items. All authorized returns are subject to a 30% restocking fee. All special order items must be prepaid and sales are final. NO returns or exchanges will be permitted. NS-not shown.

TGS05B & TGS06 TAILGATE SPREADER PARTS



TGS05



TGS06

LOC NO	PART NUMBER	DESCRIPTION	PRICE
1	3002511	Lid TGS05B	\$85.99
2	3002398	Rubber Hood Latch	\$2.49
3	3002495C	Motor Cover TGS05B	\$19.29
4	3002494	Channel Motor TGS05B	\$38.99
5	3013285	Hopper TGS05B	\$258.39
6	00208470C	Center Rubber TGS05B	\$4.49
7	3003035	Shaft Assembly Tgs05 Auger	\$89.89
8	0208260	Strap Hopper Support Tgs05b	\$6.89
9	3002486	Spinner Shield TGS01B-TGS05B	\$12.69
10	3006707T	Spinner Bracket Mount TGS05B	\$20.99
11	3006702	Frame TGS05B	\$305.09
12	3004245	Bushing Bronze TGS05B	\$2.09
13	3003032	Bearing 4 Bolt Flange 5/8	\$7.89
14	3002895	Mount Angle Spreader Side	\$35.39
15	0200100	Mount Angle Tailgate	\$29.29
16	0203100	Mount Brace For TGS05B	\$7.29
17	3015371	Buyers Universal Control Box	\$202.29
18	3008620	Harness Main W/ Vibrator TGS	\$72.49
19	3008241	Vibrator Kit 80 Lb	\$137.09
20	3010220	Motor Universal Spreader	\$152.79
20	3014441	Motor 2 Wire New Style	\$203.09
21	3035937	Harness Power Wire TGS	\$57.49
22	3009863	Harness Adapter Old/New Style	\$10.19
23	0203200	Plug Truck Side TGS01B/TGS05B	\$24.09
24	0208470	Coupling Assembly TGS05B	\$19.89
25	KS301	Keyway 3/16 x 3/16 x 1	\$.59
26	0208360	Spinner Shaft TGS05B	\$30.49
27	Z101343	Bolt 1/4 X 2-1/2	\$1.59
27	1420014	Clevis Pin 1/4 x 2-1/2	\$.59
28	0208460	Auger Bushing TGS05B	\$5.59
29	3007683	Auger TGS05 Only	\$29.59
30	3005706	Spinner TGSUVPROA-TGS01-05	\$18.89
31	3020301	Connector Kit TGS	\$10.29
NS	3000837	Cable Plug Spreader Side	\$12.19
NS	0203800	Cable Red 96 TGS05B	\$6.19
NS	0206501	Harness TGS05B Old Style	\$50.09

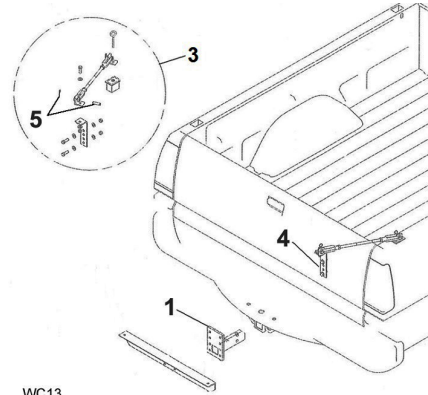
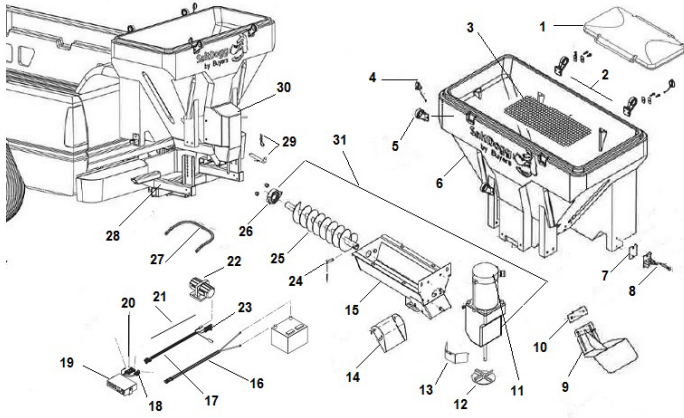
LOC NO	PART NUMBER	DESCRIPTION	PRICE
1	3010964	Lid TGS06	\$132.19
2	3009319	Pin Pivot Lid TGS06	\$.79
3	3009324	Lid Spring Pin TGS06	\$1.39
4	3009404	Handle Hold Down TGS06	\$11.59
5	3009312	Plate Cover TGS06	\$8.49
6	3010963	Hopper TGS06	\$355.29
7	3009323	Flowgate TGS06	\$11.09
8	3009317	Spring Gate TGS06	\$1.29
9	3009320	Motor TGS06	\$144.29
10	1420014	Clevis Pin 1/4 x 2-1/2	\$.59
11	3010970	Spinner Poly TGS06 TGS07	\$20.19
12	3009311	Mounting Bracket TGS06	\$9.79
13	3009874	Mounting Plate TGS06	\$15.29
14	3010965	Bumper TGS06	\$28.89
15	3010966	Shield TGS06	\$18.59
16	3009872	Receiver Hitch Assembly TGS06	\$54.49
17	3009873	Receiver Adjuster TGS06	\$55.29
18	3008241	Vibrator Kit 80 Lb	\$137.09
19	0203700	Harness Blue Wire 36 Long	\$2.89
20	3008620	Harness Main W/ Vibrator TGS	\$72.49
21	3035937	Harness Power Wire TGS	\$57.49
22	3017233	Repair End 4 Pin Plug SHPE	\$16.59
23	3015371	Buyers Universal Control Box	\$202.29
24	3017238	Repair End 2 Pin Plug SHPE	\$9.99
25	3020301	Connector Kit TGS	\$10.79
26	3009906	Straps Stake Pocket TGS06	\$17.79

Fax Orders: 248-442-8327

Phone Orders: 1.800.Angelo.2 (1.800.264.3562)

TGS07 SPREADER & TAILGATE MOUNTING PARTS

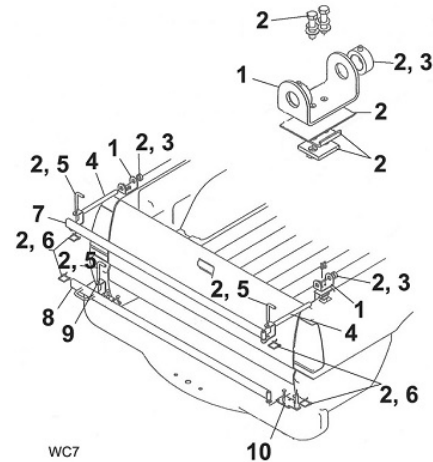
BUYERS TGS07 SPREADER & MOUNT WESTERN 500 - 2500 PARTS



WC13

LOC NO	PART NUMBER	DESCRIPTION	PRICE
1	3015926	Lid TGS07	\$102.69
2	3016983	Hinge Retainer TGS07	\$.89
3	3018781	Screen TGS07	\$33.89
4	3016979	Lynch Pin 3/16	\$3.99
5	3016021	Hinge for Lid TGS07	\$2.89
6	3015380	Hopper Assembly TGS07	\$904.89
6	3015379	Hopper TGS07	\$466.29
7	3017029	Retainer Draw Bracket TGS07	\$5.09
8	3016670	Bracket Draw Weldment TGS07	\$15.09
9	3018773	Baffle Weldment TGS07	\$40.99
10	3018922	Baffle Retainer TGS07	\$3.99
11	3015377	Gear Motor 12 V TGS03 TGS07	\$433.19
11	3021617	Coupler Motor-gearbox TGS03 07	\$8.79
12	1420014	Clevis Pin 1/4 x 2-1/2	\$.59
12	3019561	Spinner 12" TGS03 & TGS07	\$44.09
13	3015707	Shield TGS03 TGS07	\$26.19
14	3019374	Discharge TGS03 TGS07	\$10.79
15	3015381	Trough Weldment TGS03 TGS07	\$134.89
16	3035937	Harness Power Wire TGS	\$57.49
17	3008620	Harness Main W/ Vibrator TGS	\$72.49
18	3017238	Repair End 2 Pin Plug SHPE	\$9.99
19	3015371	Buyers Universal Control Box	\$202.29
20	3017233	Repair End 4 Pin Plug SHPE	\$16.59
21	0203700	Harness Blue Wire 36 Long	\$2.89
22	3008046	Vibrator Kit 200 Lb	\$144.19
23	3020301	Connector Kit TGS	\$10.29
24	FPY031000150	Pin 5/16 x 1-1/2	\$1.09
25	3015382	Auger TGS03 TGS07	\$36.79
26	1411000	Bearing 2 Bolt Flange 1	\$10.09
27	3018923	Spinner Protector TGS03	\$34.69
28	3015859	Frame Hitch Mount Tgs07	\$229.55
29	HP6253WC	Hitch Pin W/clip 5/8	\$1.39
30	3015694	Motor Cover TGS03-TGS07	\$11.95
31	3015383	Trough Assembly TGS03-TGS07	\$625.39

LOC NO	PART NUMBER	DESCRIPTION	PRICE
1	PM87	Pintle Hook Mount	\$31.69
3	3003385	Hardware Kit Less Stake Anchors	\$64.09
4	3002878	Bracket Tailgate Receiver	\$13.89
5	B2708127C	Pin Clevis 1/2 x 1-1/4	\$1.49

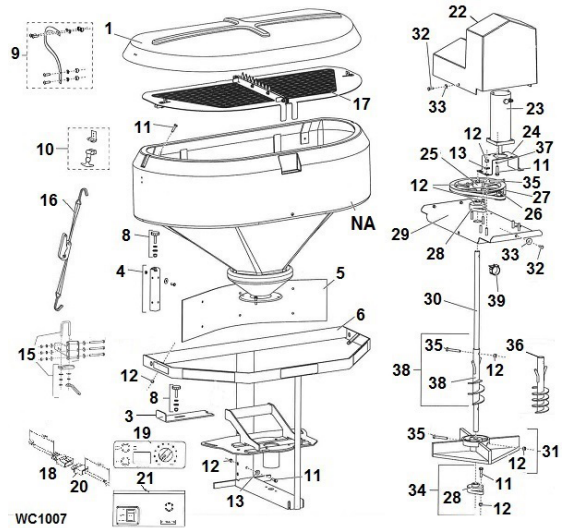
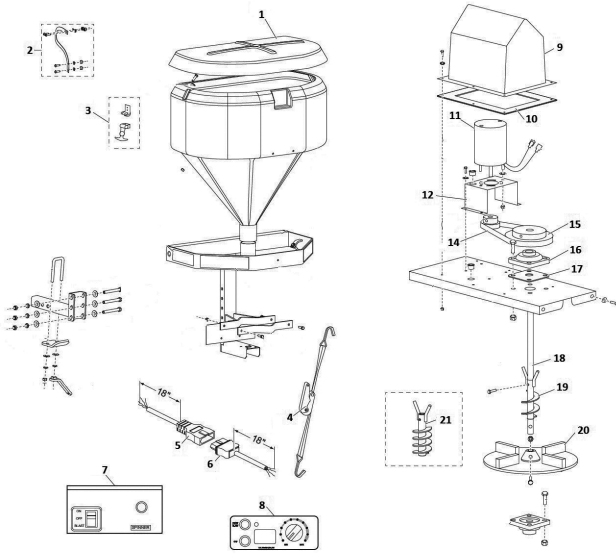


WC7

LOC NO	PART NUMBER	DESCRIPTION	PRICE
1	3012513	Bed Rail Mount	\$20.89
2	3012514	Swing Gate Hardware Kit	\$43.99
3	1411500	Lock Collar 1"	\$1.29
4	3012511	Crossmember Bracket	\$22.09
5	1302045	Hitch Pin Meyer	\$4.49
6	66050	Quick Pin 1/4 x 2 square	\$.99
7	3007516	Crossmember No Handle	\$68.39
8	3007793	Crossmember with Handle	\$49.69
9	3007513	Bumper Bracket Driver Side	\$35.19
10	3007512	Bumper Bracket Passenger Side	\$26.39
NS	3009869	Stake Pocket Plate Cover	\$5.09
NS	3010292	Stake Pocket Spacer	\$7.09
NS	3007795	Stake Pocket Retainer Nut	\$5.39
NS	3007755	Stake Pocket Retainer	\$3.29

Trade names, Meyer, Western, etc. used in this catalog are for reference purposes only. Angelo's Supplies, Inc. doesn't imply that the products are of these manufacturers. Prices subject to change without notice. All sales are final on electrical items. All authorized returns are subject to a 30% restocking fee. All special order items must be prepaid and sales are final. NO returns or exchanges will be permitted. NS-not shown.

WESTERN 500 & 2500 SPREADER PARTS



LOC NO	PART NUMBER	DESCRIPTION	PRICE
1	W95329	OEM Hopper Lid	\$86.99
2	W94534	Nylon Strap Kit OEM	\$29.89
3	W93061K	OEM Rivet 3/4 X 4-1/8 G5	\$9.09
4	1496505	Ratchet Strap 2 X 10 Ft	\$11.99
5	W63693	Repair End Spreader 4 Pin	\$63.69
5	W63634	Harness Spreader 4 Pin OEM	\$97.29
6	W63692	Repair End 4 Pin Truck Side	\$54.69
6	W63633	Harness Vehicle 4 Pin OEM	\$260.29
7	W67070	Control Box On/off OEM	\$149.19
8	W28866	Control Box Variable Spd	\$470.99
9	WP2121Y	Motor Cap OEM Western	\$125.39
10	W95333	Gasket OEM Western	\$12.69
11	Z102145	Motor For Western Spreader	\$74.99
12	WP2010	Motor Pedestal OEM Western	\$43.79
14	WM1355	Gearbelt OEM Western	\$41.09
15	WP2101	Pulley OEM Western	\$72.29
16	W68662	Bearing 4 Bolt 5/8 OEM Western	\$48.89
17	WP2095	Gasket OEM Western	\$10.79
18	WP3046	Spinner Drive Shaft OEM	\$145.59
19	W29995	W-OEM Auger Weldment 1.75" Pit	\$94.29
20	W94510	Spinner Poly 1000 2000 OEM	\$122.29
21	WP2028	Auger OEM Western	\$113.19

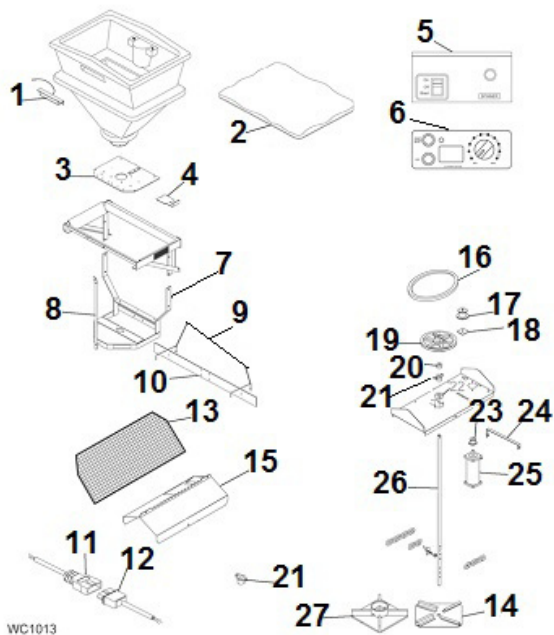
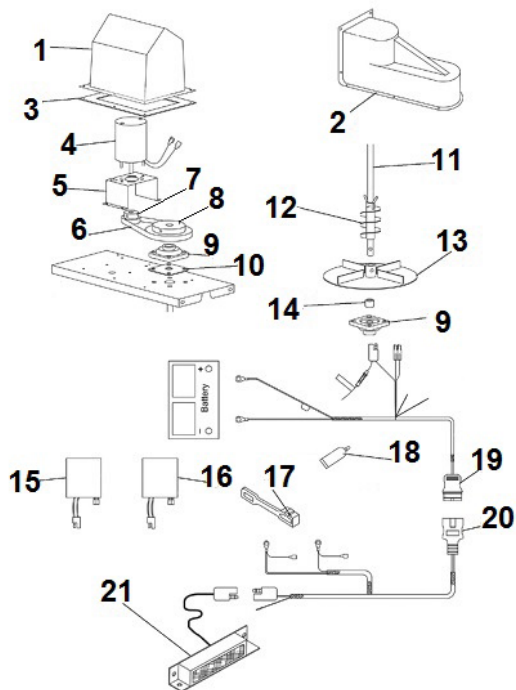
LOC NO	PART NUMBER	DESCRIPTION	PRICE
1	W96059	Lid 2500 OEM	\$137.19
3	W96419	Gate 2500 Spreader Western OEM	\$38.29
4	W96422	Deflector Adj Kit 2500 OEM	\$53.89
5	W96421	Deflector 2500 Western OEM	\$21.99
6	W96420	Frame 2500 Spreader OEM	\$419.89
8	W48859	Control Knob Kit 2500 Western	\$12.99
9	W94534	Nylon Strap Kit OEM	\$29.89
10	WP3045	Lid Latch Kit 2500 Western OEM	\$53.19
11	W96166	Hex Capscrew 5/16-18 X 1-1 OEM	\$3.49
12	W91350	Lock Nut 5/16 OEM	\$7.29
13	W90980	Flatwasher 5/16 Type A N OEM	\$1.39
15	W48852	Tailgate Receiver Clamp Kit	\$39.19
16	1496505	Ratchet Strap 2 X 10 Ft	\$11.99
17	W48797	Top Screen Bag Splitter OEM	\$149.19
18	W63634	Harness Spreader 4 Pin OEM	\$97.29
18	W63693	Repair End Spreader 4 Pin	\$63.69
19	W28866	Control Box Variable Spd	\$470.99
20	W63633	Harness Vehicle 4 Pin OEM	\$260.29
20	W63692	Repair End 4 Pin Truck Side	\$54.69
21	W67070	Control Box On/off OEM	\$149.19
22	W96099	Motor Cover OEM	\$77.89
23	Z101795	Motor Pro Flo Snowway Fisher	\$80.49
24	W96097	Motor Pedestal OEM	\$43.79
25	W65406	Pulley 9 x 3/4 OEM	\$48.59
26	W65405	Pulley 1/2 Bore OEM	\$17.19
27	W65767	Belt OEM	\$24.09
28	W96167	Bearing 2-bolt OEM 3/4	\$51.99
30	W96418	Spinner Shaft- OEM	\$51.49
31	W94555	Spinner Kit 2500 or Lp-10	NLA
32	W90381	Screw 1/4 x 3/4 OEM	\$1.29
33	Z105235	Flatwasher_1/4 Type A Na	\$5.59
34	W96490	Bearing Kit OEM Western	\$32.59
35	W94591	Gas Spreader Parts Kit OEM	\$694.79
36	W96489	OEM 5 Flight Auger Kit	\$69.89
38	W96416	3 Flight Auger OEM Western	NLA
38	W96488	OEM 3 Flight Auger Kit	\$60.89

Fax Orders: 248-442-8327

Phone Orders: 1.800.Angelo.2 (1.800.264.3562)

WESTERN 1000 - 2000 & PROFLO SPREADER PARTS

WESTERN 1000 - 2000 - PROFLO - PROFLO 2 SPREADER PARTS

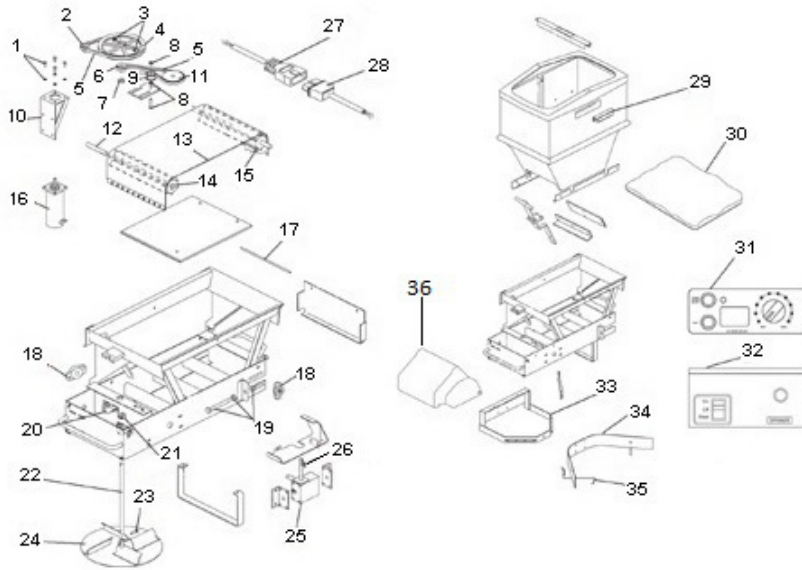


LOC NO	PART NUMBER	DESCRIPTION	PRICE
1	WP2121Y	Motor Cap OEM Western	\$125.39
2	W68579	Motor Cap L Style OEM Western	\$47.19
3	W95333	Gasket OEM Western	\$12.69
4	Z102145	Motor For Western Spreader	\$74.99
5	WP2010	Motor Pedestal OEM Western	\$43.79
6	WM1582	Gearbelt L Style OEM Western	\$48.09
6	WM1355	Gearbelt OEM Western	\$41.09
7	W93102	Pulley OEM Western	\$43.39
8	WP2101	Pulley OEM Western	\$72.29
9	W68662	Bearing 4 Bolt 5/8 OEM Western	\$48.89
10	WP2095	Gasket OEM Western	\$10.79
11	WP3046	Spinner Drive Shaft OEM	\$145.59
12	WP2028	Auger OEM Western	\$113.19
13	WP3047	Spinner Poly OEM Western	\$122.29
14	W68592	Spinner Spacer OEM Western	\$45.99
15	W28866	Control Box Variable Spd	\$470.99
16	W67070	Control Box On/off OEM	\$149.19
17	W61548	Cover Plug Kit 9-12 Pin OEM	\$6.49
18	Z126406	Dielectric Grease .33 Oz Tube	\$4.79
19	W63633	Harness Vehicle 4 Pin OEM	\$260.29
20	W63634	Harness Spreader 4 Pin OEM	\$97.29
21	W65361	Stop Light OEM Western	\$53.59

LOC NO	PART NUMBER	DESCRIPTION	PRICE
1	W65361	Stop Light OEM Western	\$53.59
2	W65507	Cover Pro Flo Spreader OEM	\$173.39
3	W65487	Bottom Plate Western OEM	\$31.89
4	W65493	Gate Western OEM	\$40.49
5	W67070	Control Box On/off OEM	\$149.19
6	W28866	Control Box Variable Spd	\$470.99
7	W65499	Lower Frame OEM Western	\$318.99
8	W65474	Strut Western OEM	\$40.49
9	W65479	Deflector Rod	\$25.69
10	W65475	Deflector OEM Western	\$40.49
11	W63693	Repair End Spreader 4 Pin	\$63.69
11	W63634	Harness Spreader 4 Pin OEM	\$97.29
12	W63692	Repair End 4 Pin Truck Side	\$54.69
12	W63633	Harness Vehicle 4 Pin OEM	\$260.29
13	W95249	Screen Western OEM (W95249)	\$69.09
14	W65410	Spinner Steel Western OEM (W65410)	\$138.69
15	W49306	Guard Western OEM	\$181.49
16	W65407	FHP V Belt Western OEM	\$48.59
17	W65509	Idler Western OEM	\$19.49
18	W65576	Shim Western OEM	\$13.89
19	W65406	Pulley 9 x 3/4 OEM	\$48.59
20	W65578	Spacer Western OEM	\$5.39
21	W65409	Flange Bearing 3/4	\$20.39
23	W65405	Pulley 1/2 Bore OEM	\$17.19
24	W65430	Support Western OEM	\$19.19
25	Z101795	Motor Pro Flo Snoway Fisher	\$80.49
26	W65408	Shaft Western OEM	\$81.79
27	W94595	2500tg Poly Spinner OEM	\$118.69

Trade names, Meyer, Western, etc. used in this catalog are for reference purposes only. Angelo's Supplies, Inc. doesn't imply that the products are of these manufacturers. Prices subject to change without notice. All sales are final on electrical items. All authorized returns are subject to a 30% restocking fee. All special order items must be prepaid and sales are final. NO returns or exchanges will be permitted. NS-not shown.

WESTERN PROFLO 2 SPREADER PARTS



LOC NO	PART NUMBER	DESCRIPTION	PRICE
1	W93162	Bolt & Lock Washer 5/16 OEM	\$1.39
2	W69696	Pulley 1-3/4 X 1/2 Bore	\$13.79
3	Z101396	Bolt W/nut 5/16 X 2-1/2	\$1.59
4	W65406	Pulley 9 x 3/4 OEM	\$48.59
5	W65767	Belt OEM	\$24.09
6	W65766	Pulley 2 X 3/4 Bore OEM	\$18.99
7	W67114	Thrust Washer Western OEM	\$8.79
8	Z102220	Bolt W/nut & Washer 3/8 X1-3/4	\$4.59
9	W65509	Idler Western OEM	\$19.49
10	W65731	Motor Mount 2 Stage	\$74.49
11	W65765	Pulley 4-1/2 X 5/8 Bore OEM	\$23.09
12	W65753	Shaft Western OEM	\$31.09
13	W65764	Conveyor Belt OEM Western	\$233.49
14	W68605	Conveyor Roller OEM Western	\$186.69
15	W68606	Idler Roller	\$146.59
16	Z101795	Motor Pro Flo Snoway Fisher	\$80.49
17	W95624	Lacing Pin OEM Western	\$5.49
18	W68619	Bearing 3/4 Bore 2 Bolt	\$38.89
18	W65758	Bearing Bolt 3/4 Western OEM	\$114.59
19	W68620	Bolt & 2 Nuts 1/2 X 4	\$3.69
19	W65608	Bolt & 2 Nuts 5/8 X 6	\$15.19

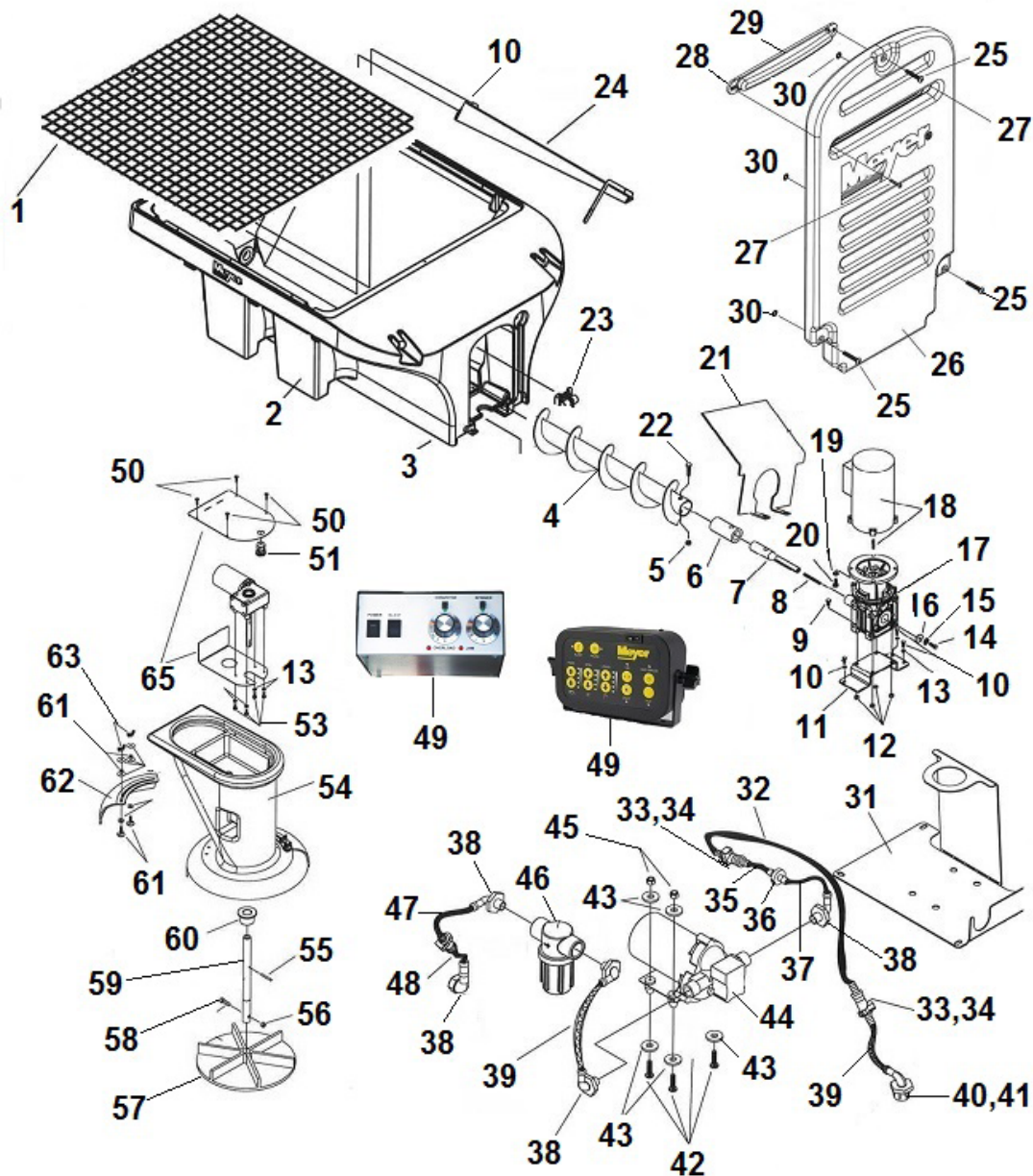
LOC NO	PART NUMBER	DESCRIPTION	PRICE
20	W65776	Bearing 3/4 Pillow	\$21.09
21	3002225	Lock Collar 3/4 Id	\$1.49
22	W65723	Spinner Shaft Western OEM	\$37.29
23	W90804	5/16-18x3/4 Square Set Screw	\$1.79
24	W67090	Spinner Steel Western OEM	\$147.99
25	W68803	Gearbox OEM Western	\$438.09
25	W65762	Gearbox Western OEM	\$1149.09
26	W65195	Keyway 3/16	\$59.19
27	W63693	Repair End Spreader 4 Pin	\$63.69
27	W63634	Harness Spreader 4 Pin OEM	\$97.29
28	W63692	Repair End 4 Pin Truck Side	\$54.69
28	W63633	Harness Vehicle 4 Pin OEM	\$260.29
29	W65361	Stop Light OEM Western	\$53.59
30	W65779	Top Cover Western OEM	\$206.19
31	W28866	Control Box Variable Spd	\$470.99
32	W67070	Control Box On/off OEM	\$149.19
33	W65725	Spinner Guard OEM	\$150.29
34	W65475	Deflector OEM Western	\$40.49
35	W67106	Adjustment Rod Western OEM	\$56.69
36	W68806	Drive Cover 2 Stage OEM	\$141.49

Fax Orders: 248-442-8327

Phone Orders: 1.800.Angelo.2 (1.800.264.3562)

MEYER CROSSFIRE SPREADER PARTS

MEYER CROSSFIRE SPREADER PARTS



LOC NO	PART NUMBER	DESCRIPTION	PRICE
N/S	M64740	Crossfire 6' Spreader 1.5 Yard	\$6350.69
N/S	M64741	Crossfire 6' Deluxe 1.5 Yard	\$7601.29
N/S	M64742	Crossfire 8' Spreader 2 Yard	\$6569.69
1	M64746	OEM Top Screen - 6'	\$454.19
2	M64770	Hopper Replacement Crossfire	\$2274.89
3	M64803	Fill Strip Short Meyer	\$3.19
3	M64811	Fill Strip Long Meyer	\$7.49
3	M64812	Fill Strip Long Meyer	
3	M64833	Utility Led Work Light Meyer	\$170.19

LOC NO	PART NUMBER	DESCRIPTION	PRICE
3	M64898	Utility Work Light Pp Meyer	\$56.39
4	M64748	OEM Replacement Auger - 6'	\$545.59
4	M64749	OEM Replacement Auger - 8'	\$601.99
5	M20307	Lock Nut 1/2 Meyer OEM	\$2.59
6	M61579	OEM Auger Insert 2"	\$25.59
7	M64828	Shaft Stub Adapter Meyer	\$45.79
8	M64827	Keyway 3/16 x 3 Sq Meyer	\$3.19
9	M62752	Bolt 5/16-18 x 3/4 Ss Meyer	
10	M64484	Bolt H1/4-20 x 1/2 Ss Meyer	\$3.19
11	M64826	Gearbox Bracket Formed Meyer	42.59

Trade names, Meyer, Western, etc. used in this catalog are for reference purposes only. Angelo's Supplies, Inc. doesn't imply that the products are of these manufacturers. Prices subject to change without notice. All sales are final on electrical items. All authorized returns are subject to a 30% restocking fee. All special order items must be prepaid and sales are final. NO returns or exchanges will be permitted. NS-not shown.

MEYER CROSSFIRE SPREADER PARTS

LOC NO	PART NUMBER	DESCRIPTION	PRICE
12	M63301	OEM Locknut 5/16-18 Nylon	\$3.19
13	M62810	Lockwasher 1/4 Ss Meyer	
14	M62697	OEM Bolt 3/8-16 X 1	\$3.19
15	M22230	OEM Washer Flat 3/8 Ss	\$2.59
16	M63257	Flatwasher 1/2 Ss Meyer	\$3.19
17	M64752	OEM Replacement Gearbox	\$796.59
18	M64015	OEM Motor Auger 12v (utg)	\$615.79
19	M63206	OEM Lockwasher, 3/8" Me	\$3.19
20	M62695	OEM Bolt 3/8-16 X 1 1/4	
21	M64992	Spinner Salt Guard Meyer	\$89.39
22	M64829	Bolt 1/2-13 x 3 Zinc Meyer	\$3.19
23	3008046	Vibrator Kit 200 Lb	\$144.19
23	M64781	Vibrator 200 lb Meyer	\$283.99
24	M64797	Inverted V 56" Crossfire Meyer	\$125.99
24	M64798	Inverted V 80" Crossfire Meyer	\$191.49
25	M64870	Screw 1/4-20 x 1-1/2 Pan Head	\$3.19
26	M64750	Motor Cover Crossfire Meyer	\$112.79
27	M64868	Screw 10-32 Ss Meyer	\$3.19
28	M64869	Lock Nut 10-32 Ni Ss Meyer	
29	M64867	Led Brake Light Crossfire OEM	\$147.89
30	M64871	Nut 1/4 Push OEM Meyer	\$3.19
31	M64852	Pump Bracket Formed OEM Meyer	\$44.69
32	M64934	Hose 3/8 Id Clear Pvc 38.25	\$4.29
33	M64859	Coupling Female Half 3/8 Meyer	\$28.79
34	M64860	Coupling Male Half 3/8 Meyer	\$5.39
35	M64933	Hose 3/8 Id Clear Pvc 4.00	\$3.19
36	M64857	Check Valve 3/8 OEM Meyer	
37	M64935	Hose 3/8 Id Clear Pvc 7.00	\$3.19
38	M64856	Elbow 3/8 Mpt x 3/8 Barb Meyer	

LOC NO	PART NUMBER	DESCRIPTION	PRICE
39	M64865	Hose 3/8 Id x 1/2 Od Pvc 3.00"	\$3.19
40	M64861	Orifice Rubber Meyer	
41	M64862	Nozzle Nut OEM Meyer	\$3.19
42	M64858	Screw 1/4-20 x 1 Pan Head	
43	M64842	Washer Flat 1/4 Meyer	\$3.19
44	M64854	Pump, Diaphragm Meyer	\$244.69
45	M64822	Lock Nut 1/4-20 Ss Meyer	\$3.19
46	M64855	Strainer Inline Meyer	\$29.79
47	M64932	Hose 3/8 Id Clear Pvc 7.50	\$3.19
48	M64931	Hose 3/8 Id Clear Pvc 2.25	
49	M15190	Controller Dual Electric Meyer	\$892.39
49	M64782	Controller Kit Delux Crossfire	\$2126.09
50	M64850	Screw 18-8 x 1 Ss Meyer	\$3.19
51	M62160	OEM Bushing Strain Relief	\$11.79
52	M64478	Motor 12v Right Angle Spinner	\$74.49
53	M62189	OEM Bolt 1/4-20 X 3/4 Hh Ss	\$3.19
54	M64755	Chute Standard Crossfire Meyer	\$643.89
54	M64840	Chute Extended Crossfire Meyer	\$795.59
55	M64837	Pin Roll 3/16 x 1 Meyer	\$3.19
56	M62638	OEM Locknut 3/8-16 Nylon	
57	M62146	OEM 13 Poly Spinner Disk	\$131.89
58	M63198	OEM Bolt 3/8-16x 2 1/2 Hh Ss	\$3.19
59	M64872	Spinner Shaft Extended Meyer	\$102.09
60	M64835	Bearing For Poly Spinner Meyer	\$35.09
61	M64841	Bolt 1/4-20 x 1.25 Flush Head	\$3.19
62	M64844	Baffle, Spinner Poly OEM Meyer	\$45.79
63	M64845	Lock Nut 1/4-20 Wing Meyer	\$3.19
64	M64843	Washer Flat 1/4 Fender Meyer	
65	M64849	Spinner Bracket Weldment Meyer	\$53.19

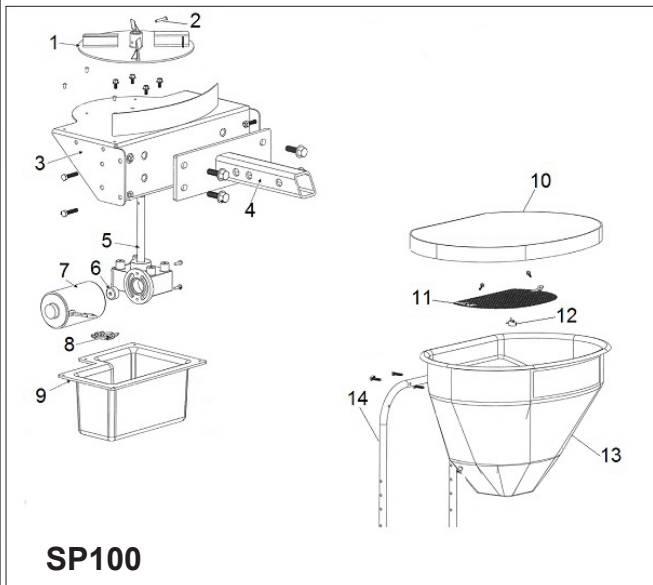
Meyer Crossfire Accessories		
PART NUMBER	DESCRIPTION	PRICE
M64744	Tarp Kit 6 Ft	\$260.59
M64745	Tarp Kit 8 Ft	\$246.19
M64762	Eight-Inch Side Extension Kit .59 cu ft	\$454.19
M64763	Eight-Inch Side Extension Kit .59 cu ft	\$510.49
M64833	LED Work Light	\$170.19
M64898	Halogen Work Light	\$56.39
M64759	Liquid Pre Wet System	\$1250.79

Fax Orders: 248-442-8327

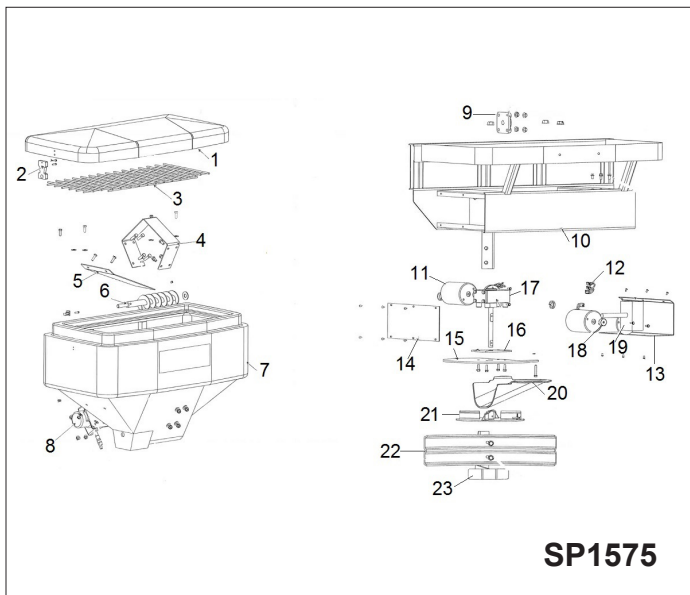
Phone Orders: 1.800.Angelo.2 (1.800.264.3562)

SNOWEX SP100 - SP1575 - SP8500 SPREADER PARTS

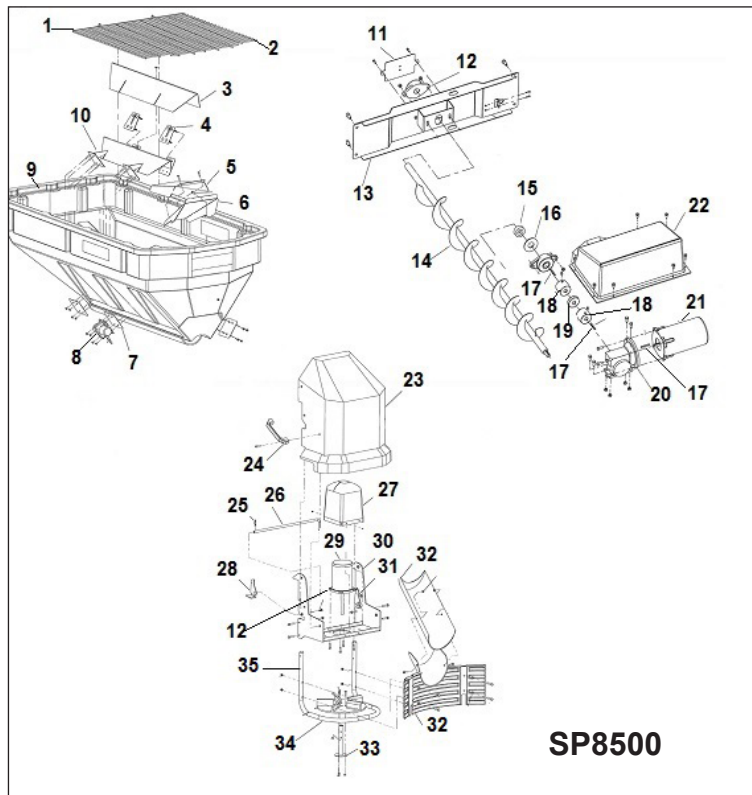
SNOWEX SP100 - SP1575 - SP8500 SPREADER PARTS



SP100



SP1575



SP8500

Trade names, Meyer, Western, etc. used in this catalog are for reference purposes only. Angelo's Supplies, Inc. doesn't imply that the products are of these manufacturers. Prices subject to change without notice. All sales are final on electrical items. All authorized returns are subject to a 30% restocking fee. All special order items must be prepaid and sales are final. NO returns or exchanges will be permitted. NS-not shown.

SNOWEX SP100 SPREADER PARTS

LOC NO	PART NUMBER	DESCRIPTION	PRICE
1	SXD6750	10 Steel Spinner	\$33.99
2	SXD6746	3/16detent Pin	\$5.29
3	SXD6480	325 Trans Mount Weldment	\$187.69
4	SXD6485	Ldm - 175 Lt Duty Rec Mount	\$161.89
5	SXD6715	14 5 To 1 Transmission	\$482.59
6	SXD6232	SnowEx Motor Drive Coupler	\$17.89
7	SXD6214	Motor3.0 X 3.8 12 Volt Dc W/2-	\$375.39

LOC NO	PART NUMBER	DESCRIPTION	PRICE
8	SXD6652	Motor Connector Adapter D6106	\$22.39
9	SXD7153	Vs Plastic Bottom Cover	\$50.29
10	SXD7181	Vinyl Weather Cover W/vision P	\$134.19
11	SXD7269	Top Screen	\$57.29
12	SXD6405	375 Agitator	\$32.09
13	SXD6753	Hopper, Sp-125	\$204.19
14	SXD6712	Hopper Support Tube	\$106.39

SNOWEX SP1575 SPREADER PARTS

LOC NO	PART NUMBER	DESCRIPTION	PRICE
1	SXD6240	575-01 Lid W/ Latches	\$176.69
2	SXD6105	575/1075/1875 Flexible	\$25.19
3	SXD6257	575 Sp Top Screen 9	\$155.89
4	SXD5110	Vibrator Mount Bracket	\$50.89
5	SXD5114	Material Discharge Baffle	\$54.29
6	SXD5105	SnowEx 1575 Auger Kit	\$206.19
7	SXD5100	Hopper 5.25 Cu. Ft. Yellow	\$647.69
8	SXD6174	Dc-80 Vibrator	\$318.99
9	SXD6332	5/8 Auger Shaft Bearing	\$58.29
10	SXD5102	Main Frame Sp-1575	\$1036.19
11	SXD6214	Motor3.0 X 3.8 12 Volt Dc W/2-	\$375.39
12	SXD6651	Motor Connector Adapter D6320	\$22.29

LOC NO	PART NUMBER	DESCRIPTION	PRICE
13	SXD5107	Auger Motor Cover Sp-1575	\$92.29
14	SXD5140	Spinner Motor Enclosure Cover	\$27.99
15	SXD5138	Ce Guard Sp-1575	\$16.29
16	SXD5139	Ce Guard Spacer Sp-1575	\$13.99
17	SXD6107	Snow-ex Spreader Gearbox	\$336.79
18	SXD6232	SnowEx Motor Drive Coupler	\$17.89
19	SXD6566	30:1 Transmission	\$510.79
20	SXD5120	Material Chute Sp-1575	\$45.29
21	SXD6750	10 Steel Spinner	\$33.99
22	SXD6327	1875 Deflector	\$55.69
23	SXD5103	Spinner Protector Foot	\$96.49

SNOWEX SP8500 SPREADER PARTS

LOC NO	PART NUMBER	DESCRIPTION	PRICE
1	SXD6848	Top Screen43 X 41 Front	\$499.19
2	SXD6849	Rear Top Screen	
3	SXD6809	Inverted V Salt Baffle	\$201.29
4	SXD6815	Bolt Plate	\$46.09
5	SXD6847	V-MAXX Baffle Extension	\$166.39
6	SXD6807	Discharge Baffle	\$162.19
7	SXD6811	Inverted V Backing Plate	\$46.09
8	SXD6515	SnowEx Vibrator Heavy Duty	\$588.99
9	SXD6800	8500 Hopper	\$3888.49
10	SXD6808	Inverted V Support	\$354.79
11	SXD6814	Rear Bearing Plate Cover	\$23.79
12	SXT15038	Boltgate Linkage Shoulder S	\$9.79
13	SXD6803	Rear Rail Assy	\$356.49
14	SXD6816	Auger	\$1223.49
15	SXD6792	Shaft Collar1-5/16w/set Screw	\$16.79
16	SXD6789	1-1/4flat Washer (5pk)	\$6.09
17	SXD6873	3/16x 1key Way (2pk)	\$18.39
18	SXD6842	Auger Motor Coupler	\$51.69

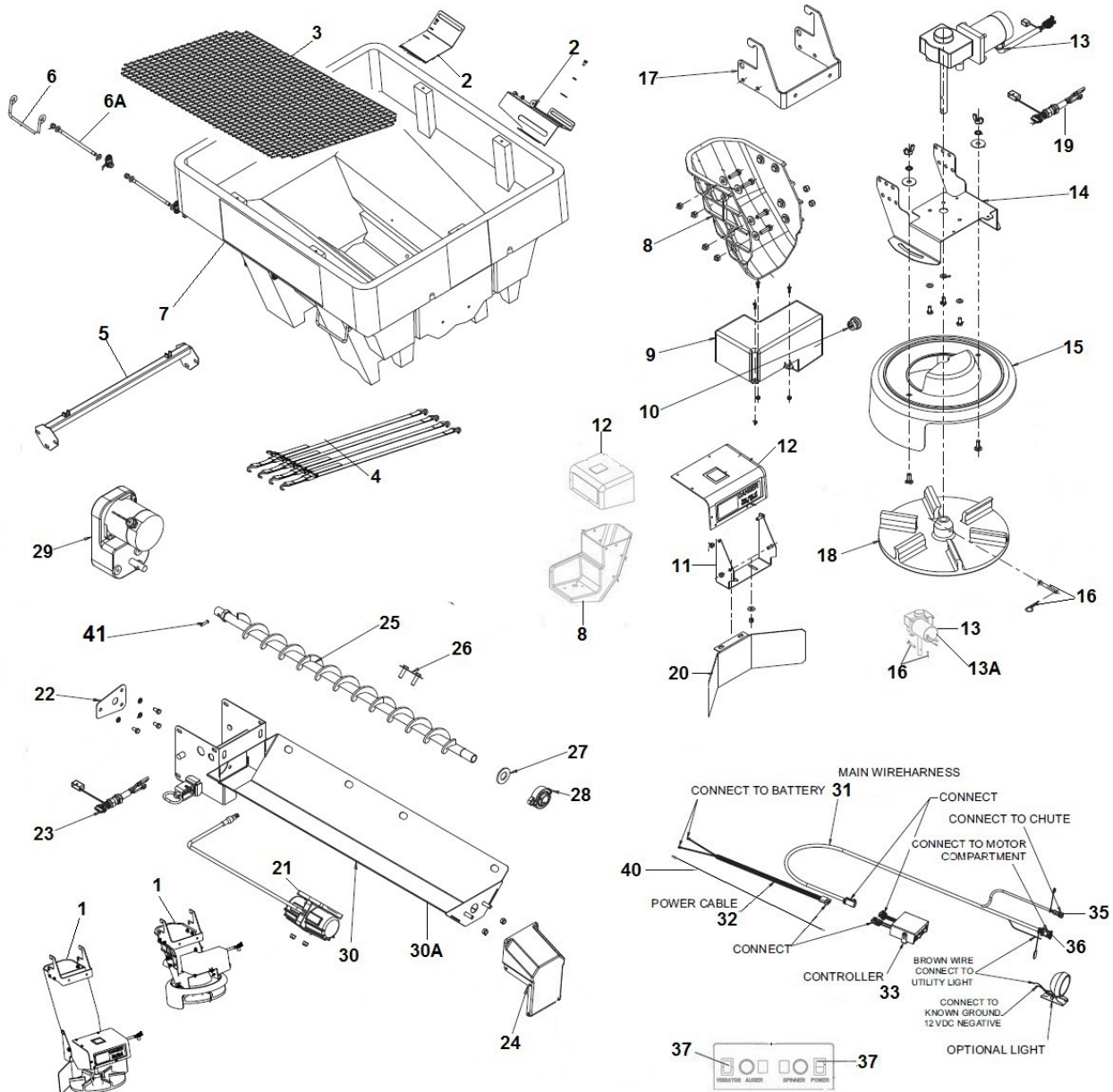
LOC NO	PART NUMBER	DESCRIPTION	PRICE
19	SXD6843	Urethane Spyder	\$44.79
20	SXD6826	V-maxx Auger Transmission	\$497.39
21	SXD6825	V-maxx Auger Motor	\$1049.69
22	SXD6831	Auger Motor Cover	\$114.39
23	SXD5349	Spinner Assembly Cover	\$251.69
24	SXD5248	Pull Handle8	\$30.79
25	SXD4135	2 - 5/16hair Pin Clip	\$2.29
26	SXD6563	Spinner Enclosure Pin	\$67.09
27	SXD5346	Spinner Motor Cover	\$83.89
28	SXD5343	Spinner Drive Latch Left	\$37.49
29	SXD6887	Snow-ex Spinner Motor	\$580.29
30	SXD5344	Spinner Drive Enclosure	\$416.69
31	SXD5342	Spinner Drive Latch Right	\$37.39
32	SXD6833	V-maxx Spinner Deflector	\$143.99
33	SXD6824	Spinner Hub	\$127.19
34	SXD5347	Spinner Guard Tube	286.59
35	SXD6823	Spinner	\$187.39

Fax Orders: 248-442-8327

Phone Orders: 1.800.Angelo.2 (1.800.264.3562)

SHPE0750-2000 SPREADER PARTS

SALTDogg SHPE0750-2000 SPREADER PARTS



Controller Warnings

Check controller instruction sheet for latest controller updates and troubleshooting codes. Controller instruction sheet is inside controller shipping box.

IMPORTANT! DO NOT DISCARD CONTROLLER INSTRUCTION SHEET. STAPLE SHEET TO SPREADER MANUAL AND KEEP IN SAFE PLACE!

Note: To unclog auger manually, first remove the chute. Apply 1-1/4" open wrench on auger's nut. Turn auger counterclockwise several times.

Note: Do not run the vibrator longer than 30 minutes with 15 minutes between runs to avoid overheating.

WARNING Never remove spreader with material in hopper

Trade names, Meyer, Western, etc. used in this catalog are for reference purposes only. Angelo's Supplies, Inc. doesn't imply that the products are of these manufacturers. Prices subject to change without notice. All sales are final on electrical items. All authorized returns are subject to a 30% restocking fee. All special order items must be prepaid and sales are final. NO returns or exchanges will be permitted. NS-not shown.

SHPE0750-2000 SPREADER PARTS

LOC NO	PART NUMBER	DESCRIPTION	PRICE
1	3025070	Chute Assy Standard New Style	\$543.09
1	3007527	Chute Assy Extended SHPE	\$576.89
2	3022977	Deflector SHPE1000	\$30.49
2	3006959	Baffle Assembly SHPE1500	\$22.29
3	3008787	Retainer Screen SHPE	\$3.29
3	Z126368	Bolt 3/8 X 1 & Lock Washer SS	\$1.29
3	3011727	Screen SHPE750	\$104.79
3	3022978	Screen SHPE 1000	\$150.49
3	3007039	Screen SHPE1500	\$248.19
3	3008390	Screen SHPE2000-2250	
4	1496505	Ratchet Strap 2 X 10 Ft	\$11.99
5	3022230	Cross Member SHPE 1000	\$43.59
6	3022220	Tie Down SHPE 1000	\$10.89
6	3006958	Tie Down Handle SHPE Old Style	\$5.89
6A	3006974	Tie Down Stud 1/2 X 9-3/4 SHPE	\$3.49
7	3022973	Hopper SHPE 1000	\$856.29
7	3008011	Hopper Poly Model SHPE2000	\$2406.99
7	3011360	Hopper Poly Model SHPE0750	\$623.89
7	3006837	Hopper SHPE1500	\$2143.09
8	3007329	Chute Housing Standard SHPE	\$79.99
8	3025063	Chute Outer Shell Standard	\$60.09
8	3007526	Chute Housing Extended SHPE	\$94.59
9	3025067	Gear Motor Enclosure	\$16.39
10	3025065	Bushing Cable Strain Relief	\$.69
11	3007564	Bracket Shield SHPE	\$15.89
12	3007413	Cover Spinner Motor	\$23.69
13	3027293	Motor & Gear Box SHPE	\$264.49
13	3006833	Spinner Motor Gear Box SHPE	
13A	Z107086	Motor Spinner SHPE	\$73.79
14	3025715	Bracket for Gear Motor Shield	\$53.19
15	3025069	Spinner Shield	\$26.79
16	Z102013	Pin 5/16 X 2-1/2	\$1.19

LOC NO	PART NUMBER	DESCRIPTION	PRICE
17	3027699	Handle Chute	\$43.89
18	3012393	Spinner Poly 14"	\$53.49
18	3004611	Poly Spinner 11.5" Dia	\$34.09
19	3006753	Harness Spinner Motor	\$20.79
20	3007004	Spinner Shield SHPE	\$30.89
21	3008046	Vibrator Kit 200 Lb	\$144.19
22	3007824	Retainer Motor SHPE	\$5.69
23	3006844	Auger/Vibrator Wiring Harness	\$55.29
24	3007236	Cover For SHPE Spreaders	\$56.09
25	3018007	Salt Dogg Auger Stainless	\$143.69
26	3007731	Bracket Vibrator Long Side	\$12.19
26	3007730	Bracket Vibrator Short Side	\$8.59
27	3007000	Gasket SHPE 1500	\$.89
28	1411000	Bearing 2 Bolt Flange 1	\$10.09
29	3009995	Auger Gear Motor SHPE Series	\$302.99
30	3011865	Auger Assembly for SHPE	\$816.79
30A	3024290	Trough Weldment	356.99
31	3006724	Harness Main SHPE	\$176.09
32	3006842	Power Cable SHPE	\$68.19
33	3014199	Controller 750,1000,1500,2000	\$533.69
34	Z104995	Fuse 30 Amp Atc Internal	\$1.29
34	Z141066	Fuse 40 Amp Atc Internal	\$.29
35	3017238	Repair End 2 Pin Plug SHPE	\$9.99
36	3017233	Repair End 4 Pin Plug SHPE	\$16.59
37	3021616	Switch Power Or Vibrator SHPE	\$8.09
40	0203700	Harness Blue Wire 36 Long	\$2.89
41	Z102012	Pin 5/16 x 1-1/2	\$.59
NS	3008838	Tarp SHPE2000	\$104.49
NS	3006964	Tarp SHPE 1500	\$91.09
NS	3011370	Tarp Kit SHPE0750	\$69.69
NS	3022979	Tarp SHPE 1000	\$95.79
NS	Bracket	Mounting Bracket In Cab For SHPE Controller	\$50.00

Fits a 3/4 ton or 1 ton truck with 8 ft bed.

Patented double-wall, .750 - 2.0 cubic yard poly hopper. Won't rust or dent.

12V DC-powered electric drive with independent auger and spinner motors.

Handles bulk salt or a sand/salt mix.

In-cab control of independent auger and spinner speeds, with vibrator control.

14 in. poly spinner broadcasts material up to 30 ft. and can be easily removed for cleaning and storage. Includes high flow standard. (extended length chute available)

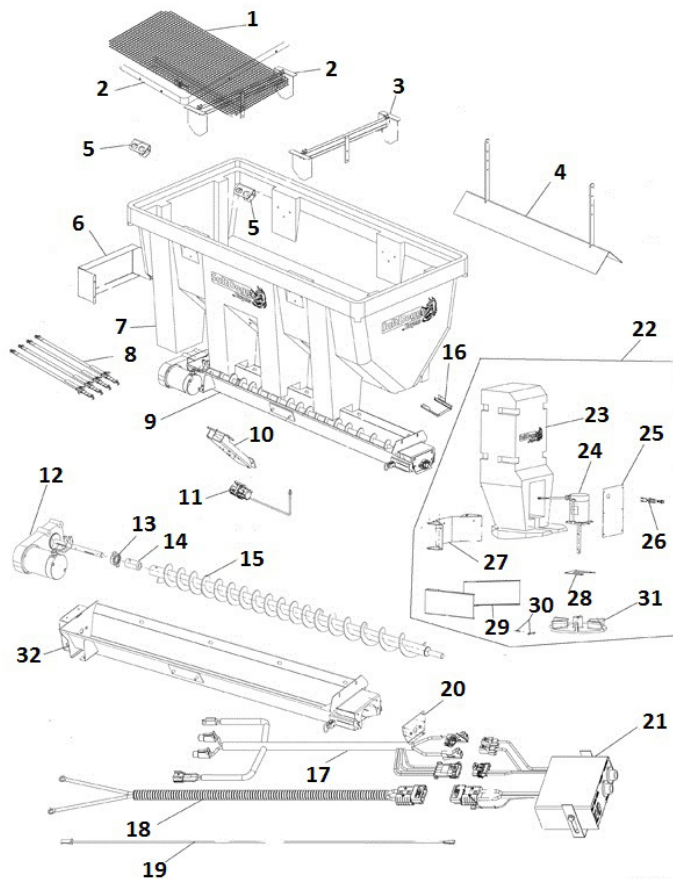
Stainless steel auger, open trough and spinner shield.

Vibrator, top screen, tarp, tie downs and remote auger bearing grease kit included.

Forklift slots for ease of loading. Backed with a 2 year warranty. Made in the USA.

CAUTION Do not mount controller in the way of air bag deployment!

SALTDogg SHPE2250 SPREADER PARTS

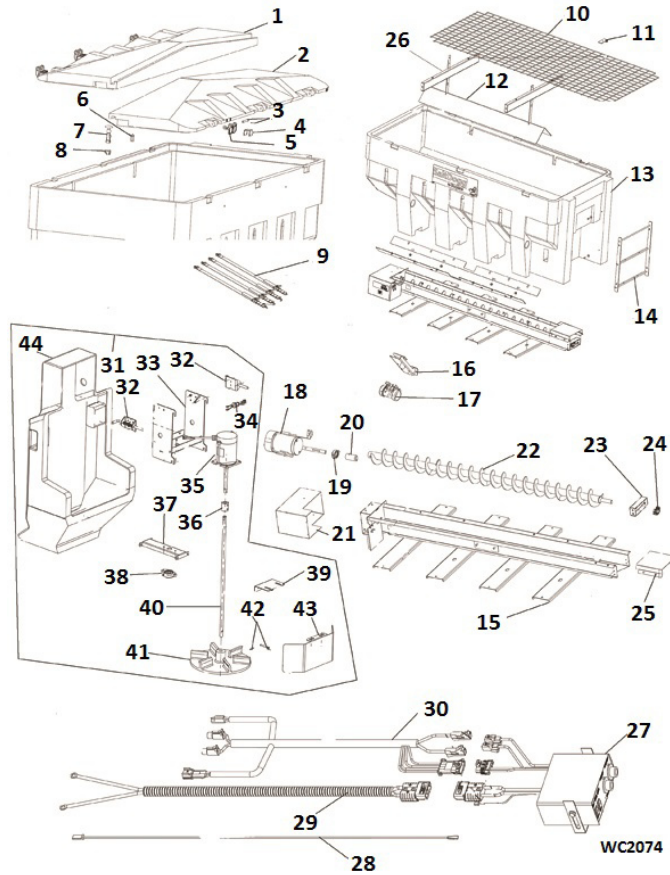


WC2073

LOC NO	PART NUMBER	DESCRIPTION	PRICE	LOC NO	PART NUMBER	DESCRIPTION	PRICE
1	3008390	Screen SHPE2000-2250	\$248.19	17	3016944	Harness Complete Main	\$252.99
2	3020127	Tarp SHPE2250	\$119.39	18	3016943	Power Cord	\$72.79
3	3020053	Cross Member SHPE2250	\$106.99	19	0203700	Harness Blue Wire 36 Long	\$2.89
4	3020145	Inverted V SHPE2250	\$268.19	20	3020117	Bracket Shpe2250	\$18.19
5	3020096	Tie Down Hook SHPE2250	\$35.99	21	3014462	Rocker Switch Pwr-Vib Old One	\$8.79
6	3020121	Cover SHPE2250	\$65.29	21	3016212	Controller SHPE2250,3000,6000	\$533.69
7	3019900	Hopper Replacement SHPE2250	\$2582.29	22	3019913	Chute Assembly Shpe2250	\$700.59
8	1496505	Ratchet Strap 2 X 10 Ft	\$11.99	23	3019912	Chute Housing Shpe2250	\$213.19
9	3019903	Auger Assembly SHPE2250	\$642.39	24	3014078	Motor Spinner	\$255.49
10	3020046	Vibrator Bracket SHPE2250	\$153.79	25	3020514	Cover Shpe2250	\$21.59
11	3008046	Vibrator Kit 200 Lb	\$144.19	26	3006753	Harness Spinner Motor	\$20.79
12	3013821	Gear Motor SHPE2250-3000	\$680.89	27	3020043	Shield Shpe2250	\$48.19
12	3014778	Motor Replacement for Gear Mot	\$463.19	28	3020042	Retainer Motor Shpe2250	\$5.19
13	1410200	Bearing 2 Bolt Flange 1-1/8	\$11.39	29	3020044	Baffle Chute Shpe2250	\$20.79
13	3022215	Grease Kit for SHPE	\$27.49	30	Z102013	Pin 5/16 X 2-1/2	\$1.19
14	3014858	Auger Adapter Sleeve	\$11.79	31	3012393	Spinner Poly 14"	\$53.49
15	3019902	Auger Shpe2250	\$352.29	32	3019904	Trough Weldment Shpe2250	\$628.99
16	3020655	Chute Guide Shpe2250	\$47.19	NS	Custom	Mounting Bracket In Cab For SHPE Controller	\$50.00

Trade names, Meyer, Western, etc. used in this catalog are for reference purposes only. Angelo's Supplies, Inc. doesn't imply that the products are of these manufacturers. Prices subject to change without notice. All sales are final on electrical items. All authorized returns are subject to a 30% restocking fee. All special order items must be prepaid and sales are final. NO returns or exchanges will be permitted. NS-not shown.

SALTDogg SHPE3000 SPREADER PARTS



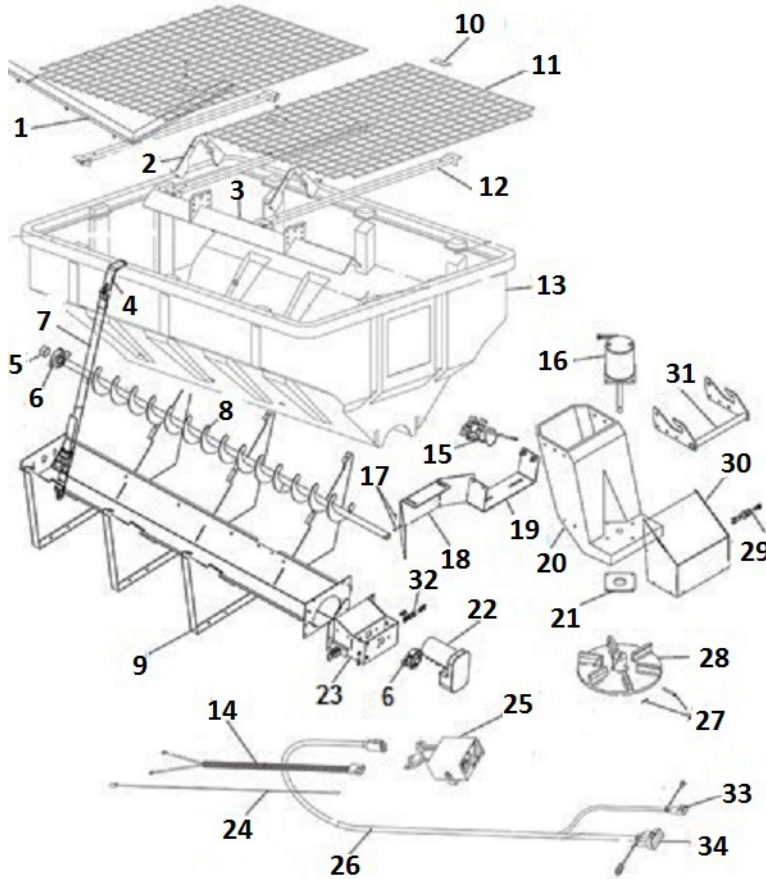
LOC NO	PART NUMBER	DESCRIPTION	PRICE
1	3015996	Lid Lower Lock SHPE3000	\$295.19
2	3016023	Lid Top Lock SHPE3000	
3	3017896	Pin 7/16 X 4	\$8.49
4	3017849	Brace Hinge	\$8.69
5	3016098	Hinge Lid Shpe3000	\$5.19
6	3018079	Catch Bracket	\$4.79
7	3002398	Rubber Hood Latch	\$2.49
8	3018078	Bracket Pivot	\$8.69
9	1496505	Ratchet Strap 2 X 10 Ft	\$11.99
10	3015999	Screen SHPE3000	\$159.79
11	3012795	Screen Retainer	\$4.99
11	Z126368	Bolt 3/8 X 1 & Lock Washer SS	\$1.29
12	3017393	Inverted V SHPE3000	\$346.09
13	3015951	Hopper SHPE3000	\$1906.79
14	3017439	Chute Hanger SHPE3000	\$144.99
15	3016165	Trough Auger Weldment	\$1115.09
16	3016696	Bracket Vibrator SHPE3000	\$138.09
17	3013659	Vibrator Kit 400 Lb	\$318.49
18	3014778	Motor Replacement for Gear Mot	\$463.19
18	3013821	Gear Motor SHPE2250-3000	\$680.89
19	3022215	Grease Kit for SHPE	\$27.49
19	1410200	Bearing 2 Bolt Flange 1-1/8	\$11.39
20	3014858	Auger Adapter Sleeve	\$11.79
21	3017379	Cover SHPE3000	\$125.29
22	3017358	Auger SHPE3000	\$419.99
23	3016192	Bracket Bearing SHPE3000	\$52.69

LOC NO	PART NUMBER	DESCRIPTION	PRICE
24	9240086	Bearing 2 Bolt Flange 1-1/4	\$10.09
25	3017370	Cover SHPE3000	\$32.49
26	3016701	Cross Brace	\$97.49
27	3014462	Rocker Switch Pwr-Vib Old One	\$8.79
27	3016212	Controller SHPE2250,3000,6000	\$533.69
28	0203700	Harness Blue Wire 36 Long	\$2.89
29	3016943	Power Cord	72.29
30	3016944	Harness Complete Main	\$252.99
31	3015954	Chute Assm SHPE3000	\$813.49
32	3009988	Latch Assm SHPE3000	\$12.19
33	3017448	Motor Frame SHPE3000	\$105.59
34	3006753	Harness Spinner Motor	\$20.79
35	3014078	Motor Spinner	\$255.49
36	3014198	Coupler Chute Old Version NLA	\$14.19
36	3017974	Coupler Shaft Adjustable (Newer)	\$38.89
37	3018286	Bracket SHPE3000	\$18.19
38	2F12SCR	Bearing 2 Bolt Flange 3/4 Bo	\$6.59
39	3017443	Bracket Shield SHPE3000	\$25.79
40	3015950	Shaft Spinner old version NLA	\$31.79
40	3018106	Shaft Chute Adjustable (Newer)	\$28.99
41	3012393	Spinner Poly 14"	\$53.49
42	Z102013	Pin 5/16 X 2-1/2	\$1.19
43	3017444	Shield SHPE3000	\$44.49
44	3015953	Chute Housing SHPE3000	\$225.49
NS	Custom	Mounting Bracket In Cab For SHPE Controller	\$50.00

Fax Orders: 248-442-8327

Phone Orders: 1.800.Angelo.2 (1.800.264.3562)

SALTDogg SHPE4000 SPREADER PARTS



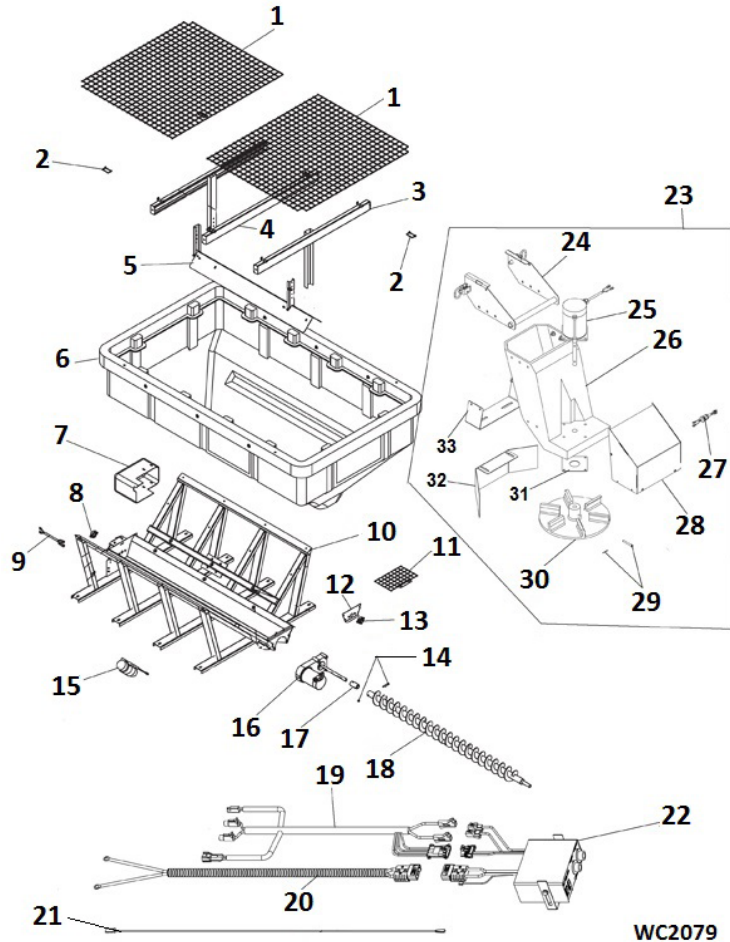
SALTDogg SHPE4000 & SHPE6000 SPREADER PARTS

LOC NO	PART NUMBER	DESCRIPTION	PRICE
1	3012959	Tarp SHPE4000	\$65.59
2	3013442	Bracket Shpe4000	\$49.79
3	3013444	Inverted V Shpe4000	\$188.49
4	3013589	Tie Down Hook SHPE4000	\$11.19
5	3013541	Cap Vinyl SHPE4000	\$.99
6	3022215	Grease Kit for SHPE	\$27.49
6	2F24SCR	Bearing 2 Bolt Flange 1-1/2	\$12.89
7	1496505	Ratchet Strap 2 X 10 Ft	\$11.99
8	3012001	Auger SHPE4000	\$309.29
9	3013270	Trough Weldment	\$1375.79
10	Z126368	Bolt 3/8 X 1 & Lock Washer SS	\$1.29
10	3012795	Screen Retainer	\$4.99
11	3012458	Screen SHPE4000	\$150.89
12	3013279	Screen Support SHPE4000	\$70.99
13	3011999	Hopper SHPE4000	\$1875.79
14	3006842	Power Cable SHPE	\$68.19
15	3013659	Vibrator Kit 400 Lb	\$318.49
16	3014078	Motor Spinner	\$255.49
17	Z100315	Pin 3/8 x 2 SHP	\$1.49
18	3012396	Chute Shield SHPE4000-6000	\$47.49
19	3012397	Chute Shield Bracket	\$20.79
20	3012377	Chute Assembly SHPE4000	\$700.29
20	3012374	Chute Housing	\$143.19

LOC NO	PART NUMBER	DESCRIPTION	PRICE
21	3012802	Chute Motor Retainer	\$5.39
22	3012057	Gear Motor SHPE4000	\$444.19
23	3012093	Bracket Gear Motor SHPE4000	\$229.19
24	0203700	Harness Blue Wire 36 Long	\$2.89
25	Z104995	Fuse 30 Amp Atc Internal	\$1.29
25	3021616	Switch Power Or Vibrator SHPE	\$8.09
25	3014199	Controller 750,1000,1500,2000	\$533.69
25	Z141066	Fuse 40 Amp Atc Internal	\$.29
26	3006724	Harness Main SHPE	\$176.09
27	Z102013	Pin 5/16 X 2-1/2	\$1.19
28	3012393	Spinner Poly 14"	\$53.49
29	3006753	Harness Spinner Motor	\$20.79
30	3012834	Chute Cover	\$92.69
31	3013427	Chute Handle SHPE4000	\$60.39
32	3006844	Auger/Vibrator Wiring Harness	\$55.29
33	3017238	Repair End 2 Pin Plug SHPE	\$9.99
34	3017233	Repair End 4 Pin Plug SHPE	\$16.59
NS	3012607	Cover Discharge	\$56.19
NS	3013518	Vibrator Retainer	\$39.49
NS	3007821	Bushing Strain Relief	\$.39
NS	3012408	Cover Gear Motor Weldment	\$93.69
NS	Custom	Mounting Bracket In Cab For SHPE Controller	\$50.00

Trade names, Meyer, Western, etc. used in this catalog are for reference purposes only. Angelo's Supplies, Inc. doesn't imply that the products are of these manufacturers. Prices subject to change without notice. All sales are final on electrical items. All authorized returns are subject to a 30% restocking fee. All special order items must be prepaid and sales are final. NO returns or exchanges will be permitted. NS-not shown.

SALTDogg SHPE6000 SPREADER PARTS



LOC NO	PART NUMBER	DESCRIPTION	PRICE
1	3018857	Screen Half SHPE6000	\$168.59
2	66070	Snap Pin SHPE6000	\$.59
3	3018855	Screen Bracket SHPE6000	\$213.79
4	3019795	Screen Support SHPE6000	\$171.79
5	3019164	Inverted V SHPE6000	\$262.49
6	3018430	Hopper SHPE6000	\$3507.59
7	3019236	Cover SHPE6000	\$97.89
8	3022215	Grease Kit for SHPE	\$27.49
8	1410200	Bearing 2 Bolt Flange 1-1/8	\$11.39
9	3019878	Harness SHPE6000	\$116.49
10	3018655	Trough SHPE6000	\$2824.39
11	3019791	Cover SHPE6000	\$84.49
12	3019243	Bracket SHPE6000	\$37.29
13	9240086	Bearing 2 Bolt Flange 1-1/4	\$10.09
14	3001250	Bolt 1/2 x 3 W Nut	\$1.69
15	3019166	Vibrator SHPE6000	\$395.19
16	3014778	Motor Replacement for Gear Mot	\$463.19
16	3013821	Gear Motor SHPE2250-3000	\$680.89
17	3014858	Auger Adapter Sleeve	\$11.79

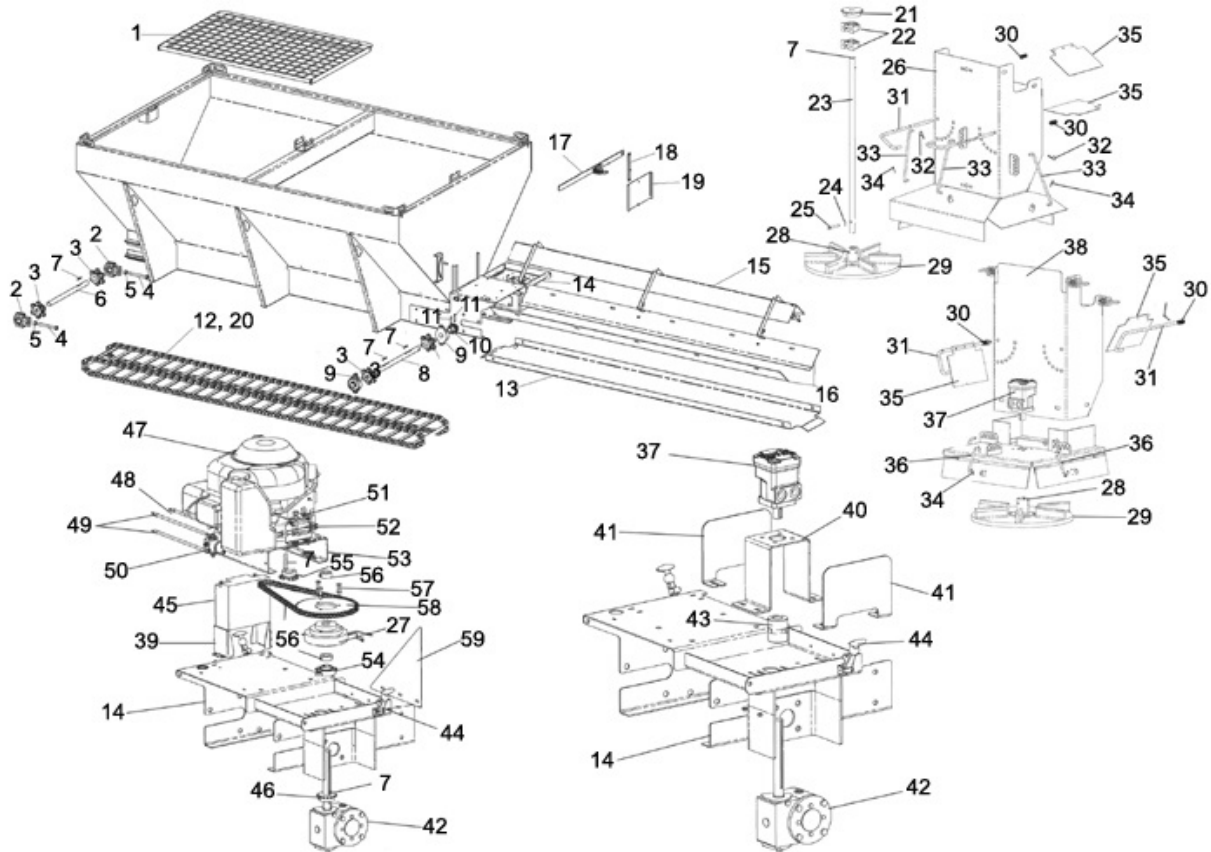
LOC NO	PART NUMBER	DESCRIPTION	PRICE
19	3016944	Harness Complete Main	\$252.99
20	3016943	Power Cord	\$72.29
21	0203700	Harness Blue Wire 36 Long	\$2.89
22	3014462	Rocker Switch Pwr-Vib Old One	\$8.79
22	3016212	Controller SHPE2250,3000,6000	\$533.69
23	3019256	Chute Assm SHPE6000	\$829.49
24	3019255	Chute Hanger SHPE6000	\$118.59
25	3014078	Motor Spinner	\$255.49
26	3012374	Chute Housing	\$143.19
27	3006753	Harness Spinner Motor	\$20.79
28	3012834	Chute Cover	\$92.69
29	Z102013	Pin 5/16 X 2-1/2	\$1.19
30	3012393	Spinner Poly 14"	\$53.49
31	3012802	Chute Motor Retainer	\$5.39
32	3012396	Chute Shield SHPE4000-6000	\$47.49
33	3012397	Chute Shield Bracket	\$20.79
NS	3021928	Tarp SHPE6000	\$192.89
NS	Custom	Mounting Bracket In Cab For SHPE Controller	\$50.00

Fax Orders: 248-442-8327

Phone Orders: 1.800.Angelo.2 (1.800.264.3562)

4 - 4.5 YD V-BOX GAS & HYDRAULIC SPREADER PARTS

SALTDogg 4 & 4.5 V-BOX PARTS - SPINNER DISKS - NO SPILL GAS CANS



PART NUMBER	DESCRIPTION	PRICE
1308900	Yellow Poly Spinner 18" Dia CCW	\$71.49
9240016	Black Poly Spinner 18" Dia CCW	62.29
1308901	Yellow Poly Spinner 18" Dia CW	\$71.49
9240016A	Yellow Poly Spinner 18" Dia CW	\$65.59
1308902	Yellow Poly Spinner 18" Dia Straight	\$71.49
9240020	Black Poly Spinner 20" Dia CCW	\$82.19
1308903	Yellow Poly Spinner 20" Dia CCW	\$89.19
1308904	Yellow Poly Spinner 20" Dia CW	
1308905	Yellow Poly Spinner 20" Dia Straight	

PART NUMBER	DESCRIPTION	PRICE
1308906	Yellow Poly Spinner 24" Dia CCW	\$108.49
1308907	Yellow Poly Spinner 20" Dia CW	
1308908	Yellow Poly Spinner 20" Dia Straight	\$17.99
924F0017A	Hub 1" ID Keyed & Cross Drilled 1.5" High	
3008632	Hub 1" ID Keyed & Crosses Drilled 3" High	\$25.49
B40003	Quick Coupler 3/8 NPT	\$16.49
B40004	Quick Coupler 1/2 NPT	\$16.79
B40005	Quick Coupler 3/4 NPT	\$48.79
B40006	Quick Coupler 1 NPT	\$57.99

Trade names, Meyer, Western, etc. used in this catalog are for reference purposes only. Angelo's Supplies, Inc. doesn't imply that the products are of these manufacturers. Prices subject to change without notice. All sales are final on electrical items. All authorized returns are subject to a 30% restocking fee. All special order items must be prepaid and sales are final. NO returns or exchanges will be permitted. NS-not shown.

4 - 4.5 YD V-BOX GAS & HYDRAULIC SPREADER PARTS

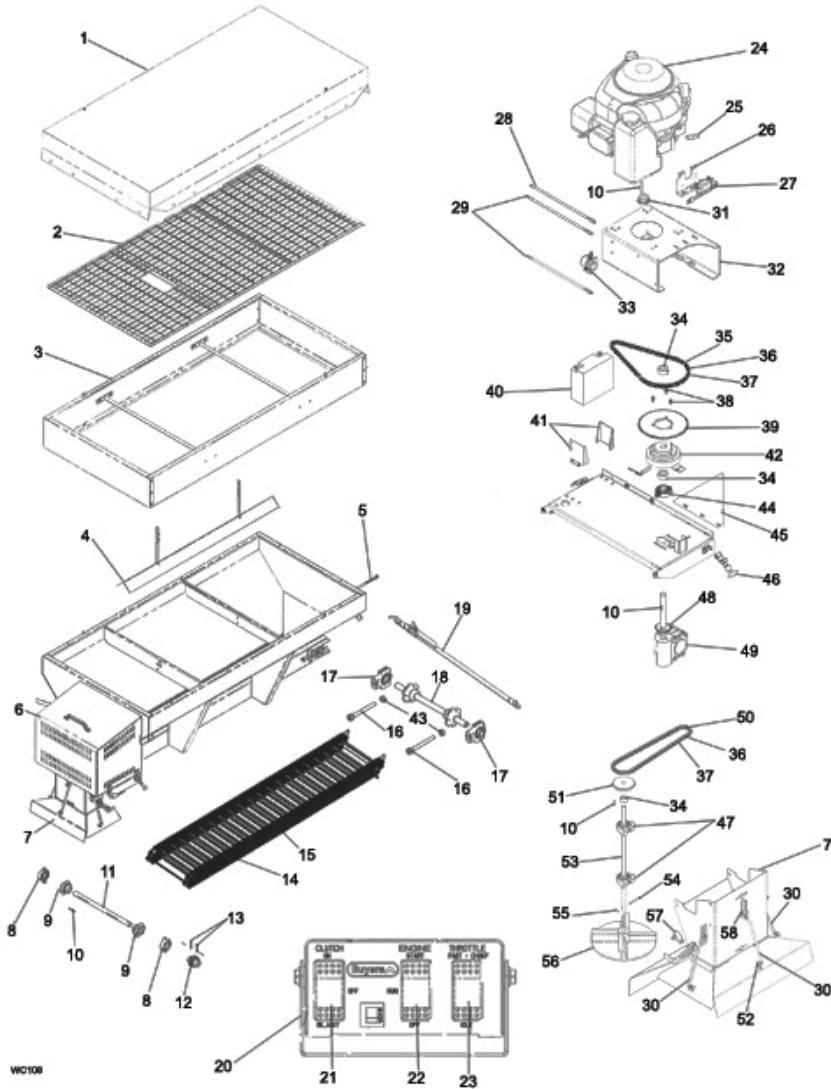
LOC NO	PART NUMBER	DESCRIPTION	PRICE
1	3008352	Screen 9ft Spreader 1 Section	\$332.99
1	3009206	Screen 10ft Spreader 1 Section	\$169.29
2	3008290	Take Up Bearing 1-1/4	\$18.99
3	3010846	Sprocket 8 Tooth 1.5	\$40.49
3	3010845	Sprocket 8 Tooth 2.0	\$38.39
3	3008300	Sprocket 6 Tooth	\$21.39
4	141050W	Takeup Bolt 5/8 x 5-1/2	\$71.9
5	Z100216	Nut 5/8 Sch Series	\$1.19
6	3010034	Idler Shaft 1-1/2 X 28	40.99
6	3008317	Shaft 1-1/4 x 20-3/8	\$19.89
7	KS402	Keyway 1/4 x 1/4 x 2	\$.59
8	3008316	Drive Shaft Assembly	\$32.69
9	3008294	Bearing 2 Bolt Flange 1-1/4	\$13.59
10	KS301	Keyway 3/16 x 3/16 x 1	\$.59
10	3008289	Coupling 1-1/8 x 1-1/4	\$15.19
11	1410803	Pin 3/8 x 2-1/4	\$2.69
12	1453120	Drag Chain 10 Tarco	\$813.19
12	1453168	Drag Chain 14 Good Roads	\$1097.99
12	1457120	Drag Chain 10 Meyer-swenson	\$428.79
12	1457155	Drag Chain 10 Swenson	\$877.69
12	1450150	Drag Chain 10 Airflo	\$895.29
12	1452150	Drag Chain 10 Flink	\$783.39
12	1454150	Drag Chain 10 Henderson	\$649.49
12	1455150	Drag Chain 10 Hi Way	\$752.69
12	1457150	Drag Chain 10 Swenson	\$665.19
12	3008860	Drag Chain 9 Saltdogg	\$393.29
12	3009114	Drag Chain 10 Saltdogg	\$374.19
13	3008301	Conveyor Floor 9ft	\$411.69
13	3009197	Conveyor Floor 10ft	\$671.19
14	3008894	Deck 9ft Hyd/gas	\$480.59
15	3008359	Inverted V 9ft	\$269.29
15	3009201	Inverted V 10'	\$377.79
16	3008353	Shield 9ft	\$193.19
16	3009199	Shield 10ft	\$209.19
17	3011832	Feed Gate Lever	\$53.59
18	3008339	Bar	\$8.29
19	3008338	Door	\$47.09
20	1401101RL	Drag Chain Link 667h Sch	\$3.99
20	1401102RL	Drag Chain Link 667x	\$4.39
21	3008835	Sprocket 24 Tooth 1 Bore	\$11.09
22	3009067	Bearing Pillow Tap Base 1	\$12.69

LOC NO	PART NUMBER	DESCRIPTION	PRICE
23	3008827	Spinner Shaft 1 x 35	\$34.09
24	Z100167	Cotter Pin 1/16 x 3/4	\$.49
25	3009632	Spinner Shaft Pin 3/8 X 2-1/2	\$.69
26	3008388	Chute Assm Chain Driven	\$896.79
27	1401150	Electric Clutch 1 Bore	\$131.59
28	3008632	Hub 1 Keyed Drilled 3 High	\$25.49
28	924F0017A	Hub 1 Keyed Drilled	\$17.99
29	9240016	Spinner Disk 18 diameter	\$62.29
30	3008853	Spring Baffle	\$3.19
31	3008852	Selector Rod Hydraulic Chute	\$54.59
32	Z100417	Hair Pin 3/32	\$.19
33	1420015	Control Rod Spinner/chute	\$3.09
34	Z100168	Cotter Pin 1/8 x 1	\$.49
35	3008396	Deflector Internal	\$12.47
36	3008628	Control Rod Hydraulic Chute	\$9.39
37	CM004P	Motor Hydraulic 4-bolt 2.8	\$152.29
38	3008630	Chute Assm Hydraulic Driven	\$1108.59
39	3001363	Battery Bracket	\$4.49
40	3008634	Stand	\$161.99
41	3009619	Coupler Plate	\$29.99
42	3010057	Gearbox 50:1 2" Shaft 6yd +	\$722.19
42	3010863	Gearbox 25:1 2" Shaft 6yd +	
42	1410720	Gearbox 1in Shaft 2yd	296.89
43	3009215	Coupling 1 X 1	\$63.59
44	3002398	Rubber Hood Latch	\$2.49
45	1410717	Battery Small 3D x 7W x 6.5 H	\$47.09
46	1410702	Sprocket 16 Tooth 1 Bore	\$8.39
47	3006887	Engine 10.5 Briggs I/c	\$736.89
48	3001378	Battery Cable Black 15	\$5.69
49	3001379	Battery Cable Red 15	
50	1306070	Solenoid For Meyer	\$6.09
51	1411910	Throttle Linkage Briggs	\$6.69
52	1410713	Throttle Motor Briggs	\$77.59
53	3008326	Engine Mount	\$90.69
54	1411000	Bearing 2 Bolt Flange 1	\$10.09
55	1411915	Sprocket 12 Tooth 1 Bore	\$4.09
56	1411500	Lock Collar 1"	\$1.29
57	Z100144	Sprocket Screw 5/16 x 3/4	\$.59
58	1411800	Sprocket 52 Tooth 3 Bore	\$15.39
59	3002113	Engine Guard	\$13.19

NO SPILL GAS CANS		
Z200038	No Spill Gas Can 2-1/2 Gal Red	\$24.99
Z201389	No Spill Gas Can 5 Gal Red	\$39.99
Z201390	No Spill Diesel Can 5 Gal Yellow	\$39.99
Z201391	No Spill Lerosene Can 5 Gal Red	\$39.99
9031110	Poly Salt Scoop	\$10.69
9031105	Poly Salt Box 20" x 24" x36"	\$129.39
9031100	Poly Salt Box 30" x 24" x36"	



SALTDogg V-BOX GAS SPREADER PARTS



SALTDogg V-BOX GAS SPREADER PARTS

LOC NO	PART NUMBER	DESCRIPTION	PRICE
1	1491701	Tarp Kit 47in x 6ft Sch	\$81.89
1	1491501	Tarp Kit 47in x 8ft Sch	
1	1491301	Tarp Kit 47in x 10ft Sch	
2	1498561	Top Screen 47in x 6ft Sch	221.29
2	1498551	Top Screen 47in x 8ft Sch	\$261.89
2	1498571	Top Screen 47in x 10ft Sch	\$374.49
3	1493505	Hopper Extension Steel Sch	\$429.29
3	1493501SS	Hopper Extension SS SCH	\$575.89
4	1499500	Inverted V 8 Ft Steel Sch	\$46.39
4	1499700SS	Inverted V 6 Ft Ss Sch	\$120.39
4	1499500SS	Inverted V 8 Ft Ss Sch	\$125.09
4	1499300SS	Inverted V 10 Ft Ss Sch	\$156.39
5	Z100486	Wire 7 Wire by the Foot Sch	\$3.09
5	3009653	Harness Pigtail Hopper Side	\$19.69

LOC NO	PART NUMBER	DESCRIPTION	PRICE
5	Z102315	Repair Harness And Plug 6 Wire	\$20.19
5	1410708	Harness Sch Hoppers	\$31.49
6	3006856	Engine Hood Ss Sch	\$226.69
6	3007184	Hood Steel Sch	\$137.69
7	142005A	Chute Assm 23" Steel Sch	\$379.39
7	1497505	Chute Assm 35" Steel Sch	\$432.09
7	142005ASS	Chute Assm 23" Ss Sch	\$538.09
7	1497505SS	Chute Assm 35" Ss Sch	\$685.19
8	1410305	Bolt Flat Head	\$.59
8	1410200	Bearing 2 Bolt Flange 1-1/8"	\$11.39
9	1410250	Drive Sprocket 6 Tooth 1-1/8"	\$9.39
10	KS301	Keyway 3/16" x 3/16" x 1"	\$.59
10	KS402	Keyway 1/4" x 1/4" x 2"	
11	1410712	Drive Shaft 1-1/8" x 19" Sch	\$28.19

Trade names, Meyer, Western, etc. used in this catalog are for reference purposes only. Angelo's Supplies, Inc. doesn't imply that the products are of these manufacturers. Prices subject to change without notice. All sales are final on electrical items. All authorized returns are subject to a 30% restocking fee. All special order items must be prepaid and sales are final. NO returns or exchanges will be permitted. NS-not shown.

SALTDogg V-BOX GAS SPREADER PARTS

LOC NO	PART NUMBER	DESCRIPTION	PRICE
12	1410706	Chain Coupler 1-1/8x 1-1/8 Sch	\$13.49
13	1410803	Pin 3/8 x 2-1/4	\$2.69
14	1453108	Drag Chain 8 Downeaster	\$284.09
14	1458110	Drag Chain 8 Smith II	\$262.89
14	1456110	Drag Chain 8 Snoway	\$286.79
14	1457110	Drag Chain 8 Swenson	\$298.49
14	3008860	Drag Chain 9 Saltdogg	\$393.29
14	3009114	Drag Chain 10 Saltdogg	\$374.19
14	1452150	Drag Chain 10 Flink	\$783.39
14	1453110	Drag Chain 8 Hniker	\$260.69
14	1454150	Drag Chain 10 Henderson	\$649.49
14	1455150	Drag Chain 10 Hi Way	\$752.69
14	1457150	Drag Chain 10 Swenson	\$665.19
14	1453120	Drag Chain 10 Tarco	\$813.19
14	1453168	Drag Chain 14 Good Roads	\$1097.99
14	1457120	Drag Chain 10 Meyer-swenson	\$428.79
14	1457155	Drag Chain 10 Swenson	\$877.69
14	1450150	Drag Chain 10 Airflo	\$895.29
14	1459111	Drag Chain 8 Western Fisher	\$284.09
14	1401300	Drag Chain 6 Buyers	\$243.29
14	1401100P	Drag Chain 8 Buyers F-w-h	\$203.29
14	1401500	Drag Chain 10 Saltdogg	\$362.29
14	1450110	Drag Chain 8 Airflo	\$257.19
14	1450111	Drag Chain 8 Airflo	\$257.09
14	1450120	Drag Chain 10 Air-flo	\$321.99
14	1452110	Drag Chain 8 Flink	\$301.39
14	1454110	Drag Chain 8 Henderson	\$262.89
15	1401100RL	Drag Chain Link 662 Sch	\$4.79
15	1401101RL	Drag Chain Link 667h Sch	\$3.99
16	141050W	Takeup Bolt 5/8 x 5-1/2	\$7.19
17	1411001	Take Up Bearing 1	\$7.59
17	3008290	Take Up Bearing 1-1/4	\$18.99
18	3008571	Shaft Idle 1x17 Sch Series	\$45.39
19	1496505	Ratchet Strap 2 X 10 Ft	\$11.99
20	3010390	Control Box V Box Spreader	\$151.49
21	3007300	Rocker Switch Clutch	\$14.29
22	3007301	Rocker Switch Engine	\$20.19
23	3007302	Rocker Switch Throttle	
24	3006887	Engine 10.5 Briggs I/c	\$736.89
25	1411910	Throttle Linkage Briggs	\$6.69
26	3003228	Throttle Brackett Briggs	\$3.39
27	1410713	Throttle Motor Briggs	\$77.59
28	3001378	Battery Cable Black 15	\$5.63
29	3001379	Battery Cable Red 15	
30	1420015	Control Rod Spinner/chute	\$3.09

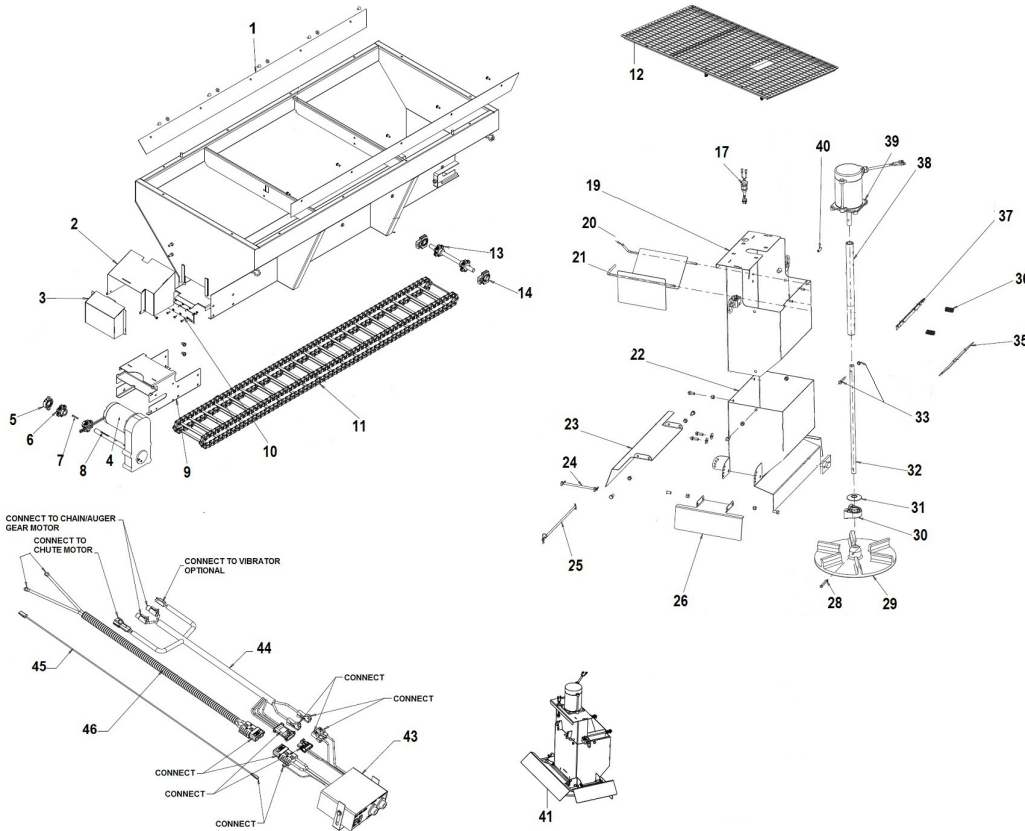
LOC NO	PART NUMBER	DESCRIPTION	PRICE
31	1411915	Sprocket 12 Tooth 1" Bore	\$4.09
32	3018429	Engine Mount Stand	\$34.89
33	1306070	Solenoid For Meyer	\$6.09
34	1411500	Lock Collar 1"	\$1.29
34	3002225	Lock Collar 3/4 Id	\$1.49
35	1412300	Chain Upper #40 78 Links	\$6.29
36	Z100179	Chain Master Link #40	\$1.99
37	Z100180	Chain Half Link #40	\$1.99
38	Z100144	Sprocket Screw 5/16 x 3/4	\$5.59
39	1411800	Sprocket 52 Tooth 3 Bore	\$15.39
40	Z100935	Battery Large Auto	\$119.09
40	1410717	Battery Small 3D x 7W x 6.5 H	\$47.09
41	3001363	Battery Bracket	\$4.49
42	1401150	Electric Clutch 1" Bore	\$131.59
43	Z100216	Nut 5/8 Sch Series	\$1.19
44	1411000	Bearing 2 Bolt Flange 1"	\$10.09
44	4F16SCR	Bearing 4 Bolt Flange 1" Bo	\$9.69
45	3002113	Engine Guard	\$13.19
46	3002398	Rubber Hood Latch	\$2.49
47	1420101	Bearing Pillow Tap Base 3/4	\$15.99
47	1420100	Bearing Pillow 3/4 Flange	\$11.99
47	P16SP	Bearing Pillow 1" Bore	\$9.99
48	1410702	Sprocket 16 Tooth 1" Bore	\$8.39
49	1410720	Gearbox 1in Shaft 2yd	\$296.89
50	1410711	Chain Lower #40 80links	\$6.89
51	1420004	Sprocket 24 Tooth 3/4" Bore	\$8.19
51	3008835	Sprocket 24 Tooth 1" Bore	\$11.09
52	Z100168	Cotter Pin 1/8" x 1"	\$4.49
53	3008827	Spinner Shaft 1" x 35"	\$34.09
53	142X150	Spinner Shaft 3/4" x 35"	\$17.99
53	1420150	Spinner Shaft 3/4" x 23"	\$11.79
53	Z100473	Spinner Shaft 1" x 23"	\$37.49
54	1420014	Clevis Pin 1/4" x 2-1/2"	\$5.59
55	Z100167	Cotter Pin 1/16" x 3/4"	\$4.49
56	3012393	Spinner Poly 14" 3/4" Bore	\$53.49
56	3004611	Poly Spinner 11.5" Dia 3/4" Bore	\$34.09
56	3008045	Poly Spinner Disk 11.5" Dia 1" Bore	\$36.19
57	1420018	Quick Pin 3/8" x 1-3/4"	\$1.19
58	Z100417	Hair Pin 3/32"	\$1.19
59	Z126406	Dielectric Grease .33 Oz Tube	\$4.79
59	Z126407	Dielectric Grease 3 Oz Tube	\$13.49
NS	1410718	Wire Extension 6 ft. SCH	\$103.69
NS	1430027	Toggle Switch Clutch On-off	\$6.39
NS	Z100603	Fuseable Link Atc	\$5.29
NS	Z100604	Fuse 15 Amp Atc	\$1.39

Fax Orders: 248-442-8327

Phone Orders: 1.800.Angelo.2 (1.800.264.3562)

STAINLESS STEEL ELECTRIC V-BOX SPREADER PARTS

SALTDogg ELECTRIC V-BOX & ELECTRIC UNDER TAILGATE SPREADER PARTS

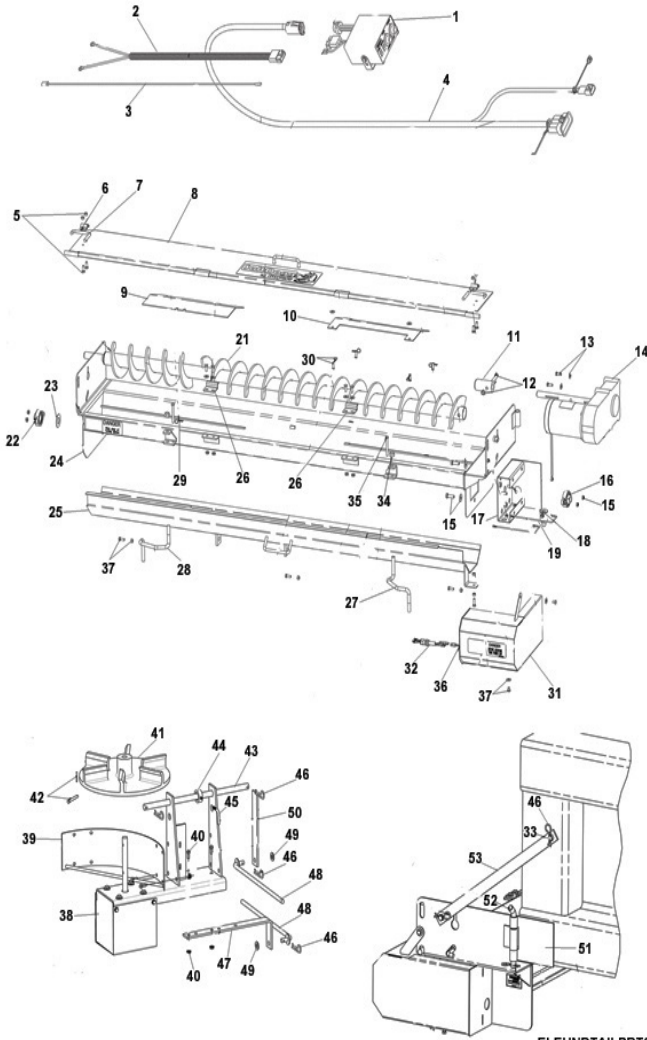


LOC NO	PART NUMBER	DESCRIPTION	PRICE
1	3014959	Chain Shield 8ft.electric Ss	\$50.59
2	3013898	Shroud 8ft.Electric SS	\$76.79
3	3014275	Cover 8ft.electric Ss	\$55.19
4	3013821	Gear Motor SHPE2250-3000	\$680.89
4	3014778	Replacement Motor For 3013821	\$463.19
5	1410200	Bearing 2 Bolt Flange 1-1/8	\$11.39
6	1410250	Drive Sprocket 6 Tooth 1-1/8	\$9.39
7	3014744	Cotter Pin 8ft.electric Ss	\$.99
8	KS402	Keyway 1/4 x 1/4 x 2	\$.59
9	3013875	Mount For Gear Motor 8ft Elec SS	\$188.49
10	1410241	Hopper Wiper Belt SCH	\$6.59
11	1401100P	Drag Chain 8 Buyers F-w-h	\$203.29
11	1401300	Drag Chain 6 Buyers	\$243.29
11	1401100RL	Drag Chain Link 662 Sch	\$4.79
12	3007568	Screen 8ft. Electric Ss	\$346.59
12	3007349	Screen 6ft. Electric Ss	\$371.49
13	3008571	Shaft Idle 1x17 Sch Series	\$45.39
14	1411001	Take Up Bearing 1	\$7.59
17	3006753	Harness Spinner Motor	\$20.79
19	3017969	Chute Weldment Upper	\$218.99
20	3018119	Baffle Pass Side Inner	\$25.69
21	3018120	Baffle Drive Side Inner	
22	3017970	Chute Weldment Lower	\$197.79

LOC NO	PART NUMBER	DESCRIPTION	PRICE
23	3018114	Deflector Rear Stainless Steel	\$37.59
23	Z100417	Hair Pin 3/32	\$.19
24	3018192	Pin, Side Deflector	N/A
25	3018193	Pin, Rear Deflector	
26	3013840	Deflector 8ft Electric Ss	\$22.09
28	Z102013	Pin 5/16 X 2-1/2	\$1.19
29	3012393	Spinner Poly 14"	\$53.49
30	1420101	Bearing Pillow Tap Base 3/4"	\$15.99
31	3027439	Shaft Slinger 3/4"	\$1.09
32	3018106	Shaft Chute Adjustable	\$28.99
33	Z126374	Bolt W/Nut 5/16 x 1-3/4 SS	\$.69
35	3024533	Wiper Belt Chute	\$6.59
36	3008853	Spring Baffle	\$3.19
37	3018189	Baffle Retainer Internal	\$5.49
38	3017974	Coupler Shaft Adjustable	\$38.89
39	3016309	Spinner Motor Electric	\$261.39
40	3018190	Pin 5/16 x 1-1/4 Slotted	\$1.09
41	3017966	Chute Assm Electric Adjustable	\$896.79
43	3016212	Controller SHPE2250,3000,6000	\$533.69
44	3016944	Harness Complete	\$252.99
45	0203700	Harness Blue Wire 36 Long	\$2.89
46	3006842	Power Cable SHPE	\$68.19
NS	CB150PB	Circuit Breaker	\$20.69

Trade names, Meyer, Western, etc. used in this catalog are for reference purposes only. Angelo's Supplies, Inc. doesn't imply that the products are of these manufacturers. Prices subject to change without notice. All sales are final on electrical items. All authorized returns are subject to a 30% restocking fee. All special order items must be prepaid and sales are final. NO returns or exchanges will be permitted. NS-not shown.

ELECTRIC UNDER TAILGATE SPREADER PARTS



ELEUNDTAILPRTS

LOC NO	PART NUMBER	DESCRIPTION	PRICE
16	1410200	Bearing 2 Bolt Flange 1-1/8	\$11.39
17	3014455	Gear Motor Adaptor Weldment	\$99.29
18	B63322	Solenoid for Under Tailgate	\$68.89
19	3015043	Harness	\$.99
21	924F0081	Auger 96" Under Tailgate	\$283.69
22	9240086	Bearing 2 Bolt Flange 1-1/4	\$10.09
23	9240087	Gasket Felt	\$2.59
24	3015029	96" Welded Frame	\$1046.49
25	3024301	Bottom Tray Standard Discharge	\$441.49
26	3008447	Cover Hinge Latch Stainless	\$6.69
27	3008444	Welded Handle Stainless Steel	\$33.79
28	3027109	Cam Handle Stainless Steel CW	\$20.29
29	1420016	Cotter Hair Pin	\$.29
30	BCP84620SS	Clevis Pin 3/8 x 1-1/8	\$.99
31	3014484	Gear Motor Cover	\$110.79
31	3017186	Cover Side Gear Motor	\$53.99
31	3017187	Cover Gear Motor 2 Piece	\$85.99
32	3006844	Auger/Vibrator Wiring Harness	\$55.29
33	3000210	Pin Brace Stainless Steel	\$4.29
34	Z126388	Nylock 1-5/8	\$1.19
35	Z126389	Bolt 3/8 X3-1/2 Nylock 1-3/8	\$1.39
36	3015018	Vibrator Plug	\$.69
37	Z126404	Bolt 3/8 X 1-1/4 & Nylock Nut	\$1.89
38	3006753	Harness Spinner Motor	\$20.79
38	3015023	Adapter Male to Male	\$1.39
38	3016309	Spinner Motor Electric	\$261.39
38	3017174	Motor Cover Drilled (Round)	\$15.19
38	3017176	Spinner Motor Assembly	\$379.09
39	3006659	Spinner Shield Stainless Steel	\$41.59
40	Z126390	Bolt 1-5/16 X3/4 Flange 1-5/16	\$1.29
41	3012393	Spinner Poly 14"	\$53.49
42	Z102013	Pin 5/16 X 2-1/2	\$1.19
43	3006646	Hinge Rod Stainless Steel	\$20.99
44	1411500	Lock Collar 1"	\$1.29
45	92401113	Spinner Lock Assembly	\$6.69
46	Z100988	Hair Pin 3/16	\$.59
47	3006645	Spinner Lug Stainless Steel	\$21.09
48	924F0012	Parallel Linkage Rod Saltdogg	\$8.19
49	Z126391	Washer 1/2 Stainless Steel	\$.39
50	924F0014	Spinner Mount Bar Saltdogg	\$4.29
51	3009526	Mount Plate Quick Detach	\$47.19
52	3011139	Hinge Pin Stainless Steel	\$21.59
53	3011137	Hanger Brace Stainless Steel	\$41.89

LOC NO	PART NUMBER	DESCRIPTION	PRICE
1	3014199	Controller 750,1000,1500,2000	\$533.69
2	3016943	Power Cord	\$72.29
3	0203700	Harness Blue Wire 36 Long	\$2.89
4	3016944	Harness Complete Main	\$252.99
5	Z126386	Bolt 1-3/8 X 1/2 Nylock 1-3/8	\$.79
6	3006968	Cover Latch Bracket w/holes	\$7.09
7	3000268	Stainless Steel Locking Handle	\$7.99
8	3012956	Weldment Cover Stainless Steel	\$385.69
9	3000270	Spinner Plate Cover Stainless	\$47.39
10	3014897	Auger Cover Plate	\$44.49
11	3014858	Auger Adapter Sleeve	\$11.79
12	Z126387	Bolt 1/2 X 3 Nylock 1-1/2	\$1.89
13	Z126368	Bolt 3/8 X 1 & Lock Washer SS	\$1.29
14	3013821	Gear Motor SHPE2250-3000	\$680.89
14	3014778	Motor Replacement for Gear Mot	\$463.19
15	Z126375	Bolt 3/8 X 1-1/4 SS 3/8 Washer	\$.99

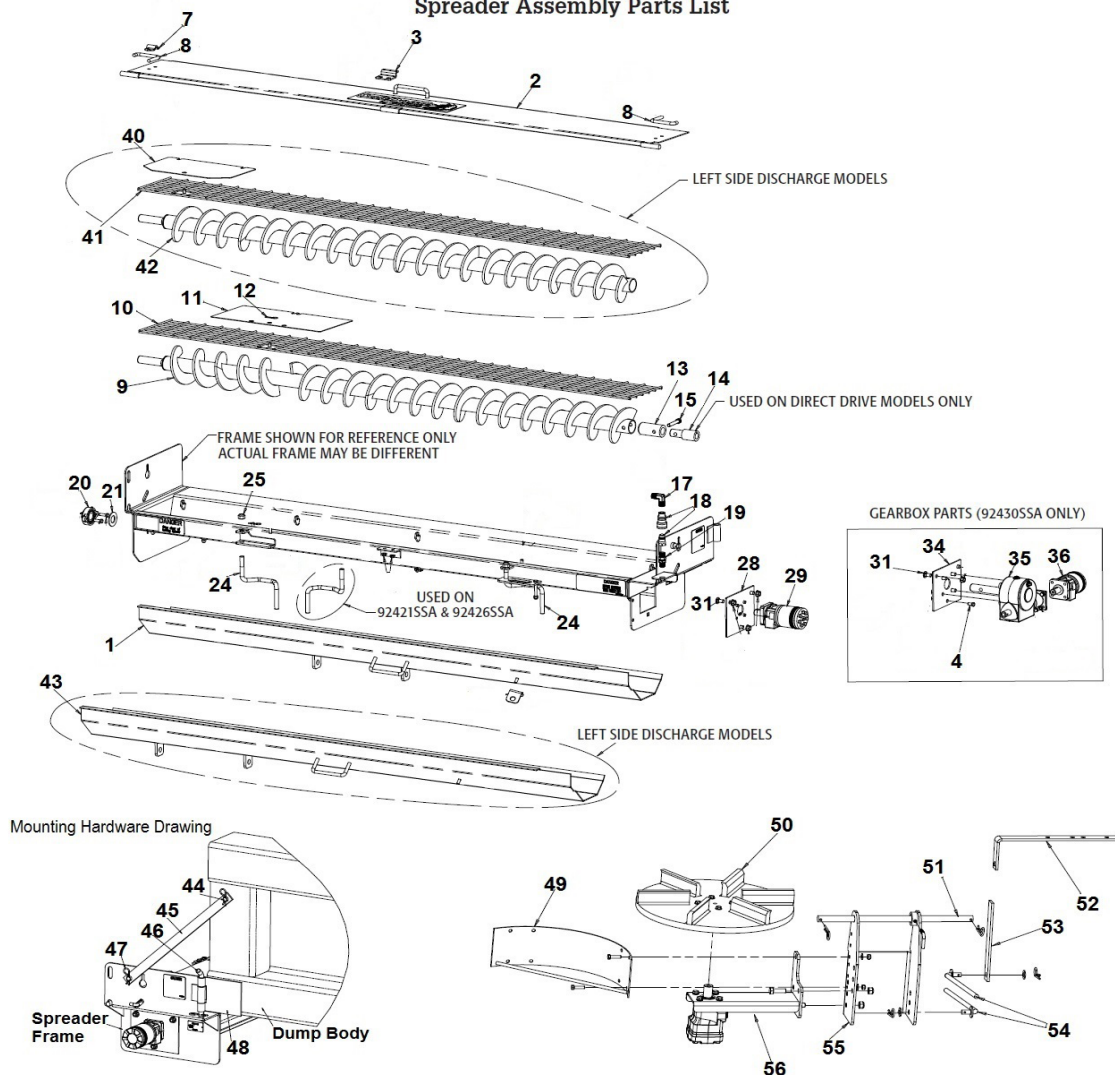
Fax Orders: 248-442-8327

Phone Orders: 1.800.Angelo.2 (1.800.264.3562)

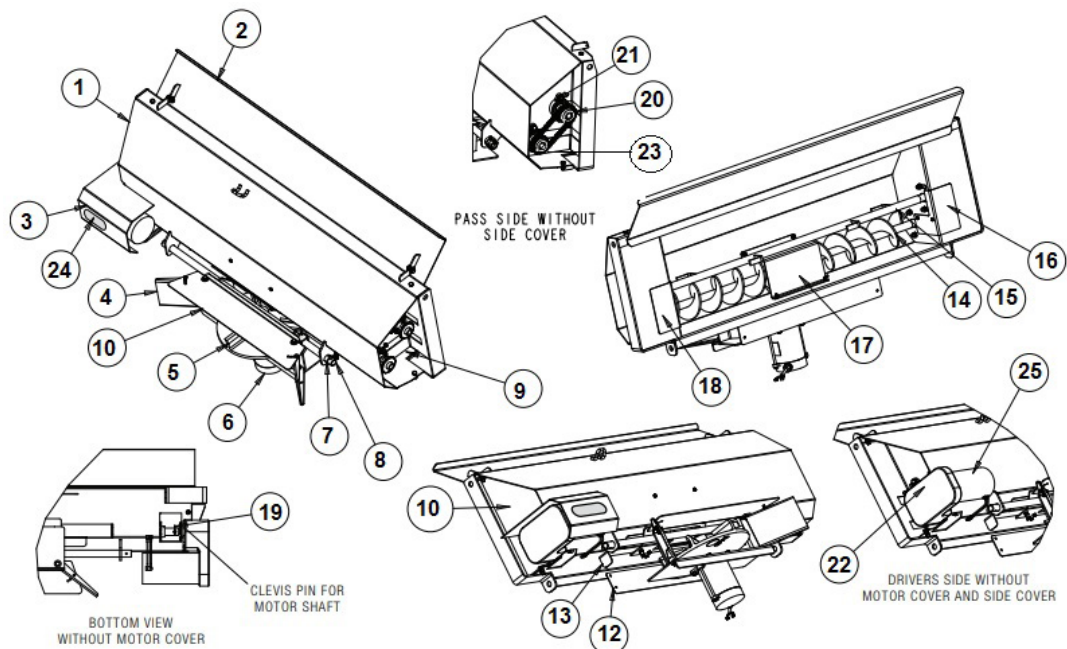
BUYERS HYDRAULIC UNDER TAILGATE SPREADER PARTS

SALTDogg HYDRAULIC UNDER TAILGATE SPREADER PARTS & SPINNER DISKS

Spreader Assembly Parts List



DUMPERDOGG TAILGATE SPREADER PARTS



Trade names, Meyer, Western, etc. used in this catalog are for reference purposes only. Angelo's Supplies, Inc. doesn't imply that the products are of these manufacturers. Prices subject to change without notice. All sales are final on electrical items. All authorized returns are subject to a 30% restocking fee. All special order items must be prepaid and sales are final. NO returns or exchanges will be permitted. NS-not shown.

BUYERS HYDRAULIC UNDER TAILGATE SPREADER PARTS

LOC NO	PART NUMBER	DESCRIPTION	PRICE
1	3008429	Lower Tray Steel	\$329.59
1	3008443	Lower Tray Stainless Steel	\$479.19
2	3025122	Top Cover Stainless Steel	\$142.79
3	3008430	Cover Latch Steel	\$9.19
3	3008447	Cover Hinge Latch Stainless	\$6.69
7	3006965	Cover Latch Bracket Steel	\$1.49
7	3006968	Cover Latch Bracket w/holes	\$7.09
8	9240063	Locking Handle Steel	\$1.39
8	3000268	Stainless Steel Locking Handle	\$7.99
9	924F0081	Auger 96" Under Tailgate	\$283.69
10	3024306	Screen STD Discharge	\$56.29
11	3022531	Plate STD Discharge SS	\$27.49
12	1420016	Cotter Hair Pin	\$.29
13	9240083	Spreader Auger Sleeve Saltdogg	\$10.89
14	924F0084	Auger Adapter Shaft Saltdogg	\$17.19
15	3001250	Bolt 1/2 x 3 W Nut	\$1.69
17	H3529X8	Elbow Male Npt To Male Npt	\$2.69
18	B40004	Quick Coupler 1/2" Npt	\$16.79
19	H2706LNX8X8	Fitting 1/2 Npt X 1/2 Mjic	\$2.69
20	9240086	Bearing 2 Bolt Flange 1-1/4	\$10.09
21	9240087	Gasket Felt	\$2.59
24	3027936	Rod Latch UTSTray SST PS	\$9.19
24	3027935	Rod Latch UTS Tray SST DS	
25	FNE063011069	Nut Elastic Stop 5/8in-11	\$.29
28	3000458	Auger Mounting Plate	\$9.39
29	CM074P	Motor Hydraulic 4-bolt 17.9	\$195.79
31	3001522	Carriage Bolt & Nut	\$.99
34	3000457	Gearbox Mounting Plate	\$14.79

LOC NO	PART NUMBER	DESCRIPTION	PRICE
34	3001366	Mounting Plate Stainless Steel	\$27.29
35	9240089	Gearbox 5:1 Reduction Ratio	\$419.79
36	CM034P	Motor Hydraulic 4-bolt 7.3	\$176.69
40	3023298	Plate Driver Side Discharge SS	\$20.59
41	3023297	Screen D/S Discharge SS	\$51.29
42	3017487	Auger Drive Side Discharge SST	\$497.49
43	3024304	Tray Lower Weldment SS STD DIS	\$433.29
44	9240021B	Spreader Pin Saltdogg	\$4.29
44	3000210	Pin Brace Stainless Steel	\$4.29
45	924F0101	Hanger Brace Saltdogg UTG	\$5.99
45	3011137	Hanger Brace Stainless Steel	\$41.89
46	924F0103	Hinge Pin Saltdogg Ts Utg	\$6.09
46	3011139	Hinge Pin Stainless Steel	\$21.59
47	Z100988	Hair Pin 3/16	\$.59
48	924F0102	Quick Detach Plate Saltdogg	\$13.49
48	3009526	Mount Plate Quick Detach	\$47.19
49	924F0015	Spinner Shield Saltdogg	\$24.09
49	3006659	Spinner Shield Stainless Steel	\$41.59
50	3001472A	Spinner Disk Assembly	\$99.29
51	924F0018	Hinge Rod Saltdogg	\$10.39
51	3006646	Hinge Rod Stainless Steel	\$20.99
52	924F0013	Spinner Lug Saltdogg	\$9.39
52	3006645	Spinner Lug Stainless Steel	\$21.09
53	924F0014	Spinner Mount Bar Saltdogg	\$4.29
54	924F0012	Parallel Linkage Rod Saltdogg	\$8.19
55	3017175	Bracket Height Adjustment	\$148.29
56	3018416	Spinner Frame SS	\$268.99
56	CM004P	Spinner Motor	\$152.29

DUMPERDOGG TAILGATE SPREADER PARTS

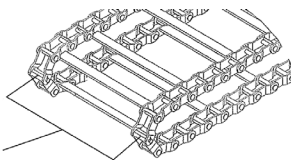
LOC NO	PART NUMBER	DESCRIPTION	PRICE
1	3015752	Housing	\$469.49
2	3015885	Spill Guard	\$168.99
3	3019582	Motor Cover	CALL
4	3015756	Deflectors	\$20.99
5	3012393	Spinner	\$53.49
6	3016309	Spinner Motor	261.39
7	66003	Lynch Pin	\$.89
8	3015755	Pivot Rod	\$50.69
9	3021438	Cover, Pass Side (Not Shown)	CALL
10	3021440	Cover, Driver Side	CALL
11	3015759	Deflector Top	\$56.29
12	3015760	Shield	\$16.99
13	3015766	Door	\$23.99

LOC NO	PART NUMBER	DESCRIPTION	PRICE
14	3015780	Auger	\$172.49
15	3015782	Agitator	\$107.19
16	3015775	Dust Shield, Driver	\$52.39
17	3015773	Spill Guard	\$52.69
18	3015774	Dust Sheild, Pass	\$21.49
19	N/A	7/16-14 Bolt	CALL
20	3015876	Sprocket	\$11.89
21	1410200	Bearing	\$11.39
22	3013821	Auger Motor	\$680.89
23	3015783	Chain	\$7.19
24	5626510	Tail Light	\$9.99
NS	3016927	Skirt Kit	\$58.49
25	3014778	Replacement Motor For 3013821	\$463.19

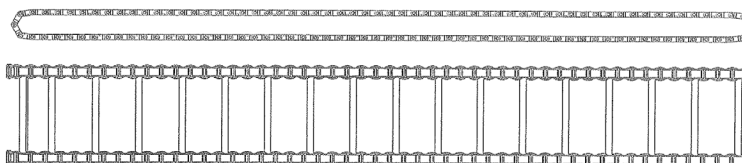
Fax Orders: 248-442-8327

Phone Orders: 1.800.Angelo.2 (1.800.264.3562)

HOPPER SPREADER V-BOX DRAG CHAINS



Width between the center to center of the two sprockets

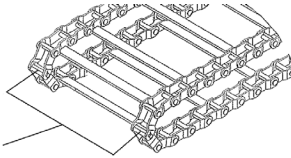


HOPPER SPREADER V-BOX DRAG & CONVEYOR CHAINS

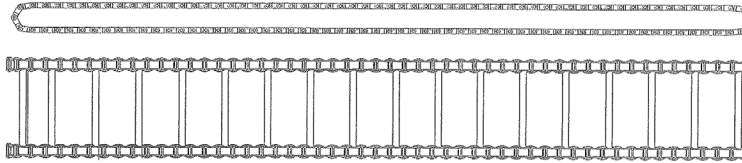
PART NUMBER	Brand	Model	OEM Number	Length	Chain Links	Bar Flights	Center To Center Of Sprocket	Chain No	PRICE
1401100P	BUYERS	1.8 CU YD	1401100P	8'	N/A	N/A	10-3/8"	662	\$203.29
1401300	BUYERS	1.3 CU YD	1401300	6'	N/A	N/A	10-3/8"	662	\$243.29
1401500	BUYERS	2.3 CU YD	1401500	10'	N/A	N/A	10-3/8"	662	\$362.29
1450110	AIRFLO	PS8E	40012	8'	123	41	10-1/2"	662	\$257.19
1450111	AIRFLO	PSV8E	40142	8'	123	41	9-3/4"	662	
1450120	AIRFLO	PS10E	40092	10'	154	51	10-1/2"	662	\$321.99
1450150	AIRFLO	AF24D	60065	10'	114	57	20-3/4"	667X	\$895.29
1450155	AIRFLO	AF24D	60067	12'	138	69	20-1/2"	667X	\$964.99
1450160	AIRFLO	AF24D	60069	14'	160	80	20-1/2"	667X	\$1178.79
1450190	CURTIS	TS17/TS125	1TS17-E15	8'	132	44	10-5/8"	662	\$269.79
1451113	FISHER WESTERN	HC	68435	10'	159	41	14"	662	\$358.09
1452110	FLINK	LMC6A	25353	8'	92	31	14-1/4"	667H	\$301.39
1452150	FLINK	LMC5H	20096	10'	118	59	21-1/8"	667X	\$783.39
1453108	DOWNEASTER	MIDSIZE	SPGV110A	8'	123	41	12-1/4"	662	\$284.09
1453110	HINIKER	540/640	401-00336	8'	90	30	11-1/2"	667H	\$260.69
1453112	DOWNEASTER	MIDSIZE	SPGV110A	10'	160	41	12-1/4"	662	\$376.49
1453115	TARCO	HIGHLANDER JR	23652-1	8'	123	41	12	662	\$301.19
1453120	TARCO	HLHY210	3013710A	10'	121	60	21-1/2"	667X	\$813.19
1453160	GOOD ROADS	SERIES 3	90000926	10'	121	60	22-1/2"	667X	\$846.69
1453168	GOOD ROADS	SERIES 3	90000930	14'	169	80	22-1/2"	667X	\$1097.99
1454110	HENDERSON	FSP	31201	8'	123	41	11-1/4"	662	\$262.89
1454112	HENDERSON	FSP	61201-77034	10'	160	53	11-1/4"	662	\$328.09
1454123	HENDERSON	FSM	N/A	8'	124	41	13-3/4"	662	\$294.09
1454124	HENDERSON	FSM	N/A	9'	138	46	13-3/4"	662	\$327.29
1454125	HENDERSON	FSM	N/A	10'	150	50	13-3/4"	662	\$355.79
1454150	HENDERSON	FSH	77467-77468	10'	112	56	21-1/8"	667X	\$649.49
1454155	HENDERSON	FSH	77471-77472	12'	142	71	21-1/8"	667X	\$1014.99
1454160	HENDERSON	FSH	77470	14'	164	82	21-1/8"	667X	\$1142.09
1401100P	HI WAY	P	34066	8'	123	41	10-3/8"	662	\$203.29
1455113	HI WAY	SUPER P	79305	8'	123	41	14-1/4"	662	\$271.79
1455115	HI WAY	SUPER P	84723	10'	159	53	14-1/4"	662	\$384.69
1455150	HI WAY	E-2020	12993	10'	112	56	21-1/4"	667X	\$752.69
1455155	HI WAY	E-2020	12995	12'	138	69	21-1/4"	667X	\$927.49
1455160	HENDERSON	E-2020	39605	14'	160	80	21-1/4"	667X	\$1075.29
1455200	MONROE	MSPV	05036017	8'	124	41	12-7/8"	662	\$268.09
1455210	MONROE	MSPV	05036283	10'	152	50	12-7/8"	662	\$351.09

Trade names, Meyer, Western, etc. used in this catalog are for reference purposes only. Angelo's Supplies, Inc. doesn't imply that the products are of these manufacturers. Prices subject to change without notice. All sales are final on electrical items. All authorized returns are subject to a 30% restocking fee. All special order items must be prepaid and sales are final. NO returns or exchanges will be permitted. NS-not shown.

HOPPER SPREADER V-BOX DRAG CHAINS



Width between the center to center of the two sprockets



PART NUMBER	Brand	Model	OEM Number	Length	Chain Links	Bar Flights	Center To Center Of Sprocket	Chain No	PRICE
1456110	SNOWAY	V & EV	96104740	8'	123	41	13-1/2"	662	\$286.79
1457110	SWENSON-MEYER	PV358 PV358/6318	63181 0404301600	8'	95	24	12-3/4"	667H	\$298.49
1457112	SWENSON-MEYER	MDV	62343 040403-075-08	8'	92	45	12-3/4"	667H	\$316.29
1457115	SWENSON-MEYER	MDV	62344 040403-075-09	9'	102	50	12-3/4"	667H	\$350.69
1457120	SWENSON-MEYER	MDV	62345 040403-043-00	10'	112	55	12-3/4"	667H	\$428.79
1457150	SWENSON	EV100	0404503700	10'	119	59	20-1/4"	667X	\$665.19
1457155	SWENSON	EV150/200	0404507300	10'	119	59	20-1/4"	667X	\$877.69
1457157	SWENSON	EV100/150/200	0404513700	11'	130	60	20-1/4"	667X	\$882.39
1457160	SWENSON	EV100/150/200	0404539006	12'	142	71	20-1/4"	667X	\$939.69
1457165	SWENSON	EV100/150/200	0404539008	14'	164	82	20-1/4"	667X	\$1079.99
1458110	SMITH II	SERIES II	120-7A	8'	125	42	10-1/2"	662	\$262.89
1458115	SMITH II	SERIES II	55416HC	10'	118	59	21"	667X	\$269.79
1458210	TORWELL	ECONOMIZER	E15	8'	132	44	10-5/8"	662	\$269.79
1458213	TORWELL	TORWELL	T140100	10'	118	59	15"	667X	\$759.79
1458215	TORWELL	TORWELL	T140102-10	10'	115	59	21"	667X	\$828.99
1459100	WARREN	AC1410/20	22004432	8'	129	43	11-1/4"	662	\$286.99
1459111	WESTERN FISHER	HC ICEBREAKER	68474	8'	123	41	14"	662	\$284.09
1459112	WARREN	E/AC-2420	22004432SP	10'	118	89	20-1/2"	667X	\$841.59
1459113	WESTERN	HC	68435	10'	159	41	14"	667X	\$358.09
1401100P	FISHER	RC	9177	8'	123	41	10-3/8"	662	\$203.29
3008860	SALTDOGG	4 CU YD	3008860	9'	N/A	N/A	12-3/4"	667H	\$393.29
3009114	SALTDOGG	4.5 CU YD	3009114	10"	N/A	N/A	12-3/4"	667H	\$374.19
1450171	AIRFLO	FLO N DUMP	70074	10'	94	94	30"	667XH	\$269.79
1450173	AIRFLO	FLO N DUMP	70076	12'	114	114	30"	667XH	CALL
1450175	AIRFLO	FLO N DUMP	70078	14'	136	136	30"	667XH	CALL
1455215	MONROE	MSPV	05036263	10'	118	89	20-1/2"	667X	CALL
1458200	TENCO	TENCO	523200643	10'	112	56	15-1/2"	667H	CALL
1401100RL	Drag Chain Link	7/8" x 2-3/8"						662	\$4.79
1401101RL	Drag Chain Link	7/8" x 3" - 1/4" Hole						667H	\$3.99
1401102RL	Drag Chain Link	7/8" x 3" - 3/8" Hole						667X	\$4.39

Fax Orders: 248-442-8327

Phone Orders: 1.800.Angelo.2 (1.800.264.3562)

PLOW PARTS & ACCESSORIES

MOTORS - TRIP SPRINGS - EYEBOLTS - SPRAY FLUIDS - SOLENOIDS - PLOW SHOES - OIL - HOSES

PART NUMBER	MOTORS	Plow Brand	Replaces Part#	PRICE
M15727	OEM 12V MOTOR 2 TERMINAL E57-E88	Meyer	1306007	\$201.59
1306007	Aftermarket E60 Motor 2 Terminal 12V CLOCKWISE, SLOTTED SHAFT		M15689, M15841 M15727	\$97.09
M15054	OEM 12V MOTOR 1 TERMINAL FOR E47	Meyer	15054,1306005	\$155.39
1306005	Motor Meyer Diamond 12V (E47) 1 Terminal		M15054, 15054	\$61.49
1306325	Motor Western, Fisher Solenoid Control, Clockwise Rotation Slotted Internal Shaft	Western	56133, 1306415 W56133, A5819	\$91.29
1306326	Motor Ultramount Wideout, MVP		21500, W21500	\$92.69
1306320	Motor Western External Shaft (old style)	Western	N/A	\$91.29
Z100450	Motor Western Suburbanite		W27753, 27753 51055	\$63.19
W48543	Western HTS Motor OEM	Western	N/A	\$202.79
16151200	Motor CM EX HD MD TE VMD VXF XP	Snowdogg	N/A	\$174.59
Z107747	Motor Arctic, Boss 12V Counter Clockwise Rotation	Arctic & Boss	FP8034, 2200975, 11212108, HD102-S HD90-P, HD96-P	\$82.89
Z102248	Blizzard, Snowdogg Motor Counter Clockwise Rotation, 9 Spline Shaft 1 Terminal	Blizzard Snowdogg	60047, 51021	\$95.49
Z102249	12V Counter Clockwise Rotation, Slotted Shaft	Blizzard	60434, 39200443, 51032	\$81.79
Z100035	Arctic, Boss, Sno-Way, Dumperdogg, Counter Clockwise Rotation, Slotted Shaft, 1 Terminal	Arctic Boss Sno-way	MSC01563, 96106802 1303600, 6046 HYD01563, 62434 2201094, 50085	\$86.29
Z102250	Airflo, Curtis, 12V Motor, Clockwise Rotation, Double Ball Bearing, 9 Spline Shaft, 1 Terminal	Airflo & Curtis	1TBM8, 15056, 1787AC, 1304812	\$81.79
HYD09328	Boss Motor 12v, 2 Terminal	Boss	HYD01563, PS-0110, HYD-1563-2AM,190-1563 1304718	\$297.59
1306375	Gaket For Western Motor 1306325 &1306320	Western Standard	N/A	\$1.09
TRIP SPRINGS				
1304715	Boss Trip Spring 14.5"	Boss	MSC01509, 190-1509, MSC01509AM	\$14.99
1304716	Boss V-Plow Trip Spring 17-7/8"	Boss	MSC07705, 190-7705	\$19.79
1302010	Universal Trip Spring Fits Western, Fisher, Blizzard, Snowdogg, Curtis	Universal	07017, M07017, 1304815, 1TBP33	\$10.39
1304622	Trip Spring Blizzard	Blizzard	B61099	\$12.59
MSC01509	Boss Trip Spring 15" OEM	Boss	N/A	\$27.29
1302305	Trip Spring Assembly Fisher	Fisher	A3770, BA3770	\$30.99
MSC07705	Boss V-Plow Trip Spring 17-7/8" OEM	Boss	MSC07705	\$38.19
1302310	Trip Spring Fisher	Fisher	27406, 305, B305	\$12.39
W23039	Trip Spring OEM 14-3/4", Fits Western,Blizzard, Fisher, Meyer or Boss	Western	1302205	\$13.09
W21452	Trip Spring Assembly OEM	Western	N/A	\$73.29
EYEBOLTS				
1304777	Eyebolt Kit 1/2 x 5-1/2 Boss (2)	Boss	HDW01744	\$3.39
HDW01744	Eyebolt Kit 1/2 x 5-1/2 Boss (2) OEM		1304777	\$9.59
1304776	Eyebolt Kit 1/2 x 4-1/4 Boss (2)	Boss	MSC05056	\$4.39
MSC05056	Eyebolt Kit 1/2 x 4-1/4 Boss (2) OEM		1304776	\$11.79
1302005	Eyebolt w/Nuts 5/8 x 4 (2)	Meyer	M09124, 90493	\$2.39
M09124	Meyer OEM Eybolts W/Nuts		1302005	\$10.49
W66421	Western OEM Eybolts W/Nuts	Western	50695, W50655	\$9.29
W90493	Western OEM Eybolts W/Nuts 5/8 x 6, Fits Western, Fisher, Blizzard, Snowex	Western	N/A	\$3.89
LUBRICANTS				
Z107880	Fluid Film Spray Can	N/A	N/A	\$11.99
Z111537	Fluid Film 5 Gal Pail	N/A	N/A	\$187.69
9901012	Spray Lube 990 15 oz Spray Can	N/A	N/A	\$6.09

Continued On Next Page

Trade names, Meyer, Western, etc. used in this catalog are for reference purposes only. Angelo's Supplies, Inc. doesn't imply that the products are of these manufacturers. Prices subject to change without notice. All sales are final on electrical items. All authorized returns are subject to a 30% restocking fee. All special order items must be prepaid and sales are final. NO returns or exchanges will be permitted. NS-not shown.

PLOW PARTS & ACCESSORIES

PART NUMBER	SOLENOIDS	Plow Brand	Replaces Part#	PRICE
HYD01633	SOLENOID BOSS OEM	Boss	1304719	\$37.39
1304719	Solenoid 12v Boss		HYD01633	\$21.79
1306310	SOLENOID CONTINUOUS DUTY 100 AMP, FITS WESTERN, FISHER, SNO-WAY	Western Fisher Sno-Way	W56131K, 96002086, 1303585, 1306315	\$9.59
1306070	Solenoid Meyer	Meyer	15370, M15370, 51303	\$6.09
M15370	Solenoid Meyer OEM		1306070, 51303	\$22.69
1304819	Solenoid Curtis	Curtis	N/A	\$6.09
1306401	Solenoid 12V, Fits Western, Fisher, Sno-Way	Western Fisher Sno-Way	W56131K-2, 96002086, 51301, 1303585 1306315, W25634, HYD01633, HYD1633	\$16.49
W56131K	Solenoid Western OEM	Western	56161-1, 56131k-2, 56131k	\$21.19
1306400	Solenoid Fisher	Fisher	5794	\$10.49
PLOW SHOES & KICKSTANDS				
1304711	Boss Outer Shoe Assembly	Boss	MSC01501	\$21.39
1304712	Boss Center Shoe Assembly		MSC01570	\$21.19
1304713	Boss Trip Edge Shoe Assembly	Boss	TRP07880	\$28.99
1304710	Boss Kick Stand, Straight Blade		STB03220	\$19.79
STB09597	Boss Kickstand OEM, Sport Duty	Boss	N/A	\$31.79
STB03220	Boss Kickstand, RT3 Straight		N/A	\$33.19
M09362	Shoe Assembly Meyer OEM Mushroom	Meyer Lot Pro	N/A	\$76.79
M09214	Shoe Kit OEM Meyer		09124, 90493	\$288.89
1303005	Shoe Assembly 7.5ft - 8.5ft	Meyer Standard	09126, M09126	\$18.79
16121100	Shoe Assembly	Snowdogg	XP, TE, HD, EX, CM	\$32.79
16121700	Shoe Assembly Pair	Snowdogg	TE, VXF, VMD,	\$32.79
HYDRAULIC OIL				
HF1-AS	Hydraulic Oil Quart	Universal	N/A	\$5.69
HFG	Hydraulic Oil Gallon		N/A	\$17.59
HF5020	Hydraulic Oil 5 Gallon Pail		N/A	\$65.99
W49311	Hydraulic Oil Quart Western OEM	Western	N/A	\$13.69
W49330	Hydraulic Oil Gallon Western OEM		N/A	\$33.19
HYD01704	Hydraulic Oil Quart Boss OEM	Boss	N/A	\$10.39
HYD01836	Hydraulic Oil Gallon Boss OEM		N/A	\$32.99
M15134	Hydraulic Oil Quart Meyer OEM	Meyer	N/A	\$9.59
M15902	Flush Fluid		N/A	\$9.19
HYDRAULIC HOSES				
1304634	Hose 3/8" x 15" 45 Degree Bend	Blizzard	B60274	\$17.49
1304633	Hose 3/8" x 17" 45 Degree Bend		B60273	\$16.69
1304630	Hose 3/8" x 24"	Blizzard	B60091	\$9.79
1304631	Hose 3/8" x 26"		B60223	\$12.79
1304632	Hose 3/8" x 36"		B60224	\$15.19
1304722	Hose 1/4" x 12"	Boss	HYD1696, 190-1696	\$9.69
1304724	Hose 1/4" x 15", 1/4" Male NPT X 1/4" Male ORB		HYD07020, 60001, 190-7020	\$13.39
1304721	Hose 1/4" x 15-1/2"	Boss	HYD01695, 190-1695, 7281783, BOS-95	\$8.99
Z100631	Hose 1/4" x 16", 1/4" Male Npt x 1/4" Male Npt		HYD01695	\$7.19
Z100629	Hose 1/4" x 18", 1/4" Male Npt x 1/4" Male Npt	Boss	HYD1606	\$8.99
1304729	Hose 1/4" x 18"		HYD09922	\$12.89
1304728	Hose 3/8" x 34"	Boss	HYD01810	\$15.89
1304726	Hose 3/8" x 40"		HYD07575	\$32.69
Z100427	Hose 3/8" x 41-1/2", 1/4" Male Npt x 3/8" Male Npt	Boss	HYD07042, 60002, HYD7042	\$13.19
1304727	Hose 3/8" x 44"		HYD07714	\$26.39
Z100630	Hose 3/8" x 49-1/2"	Boss	HYD1609, HYD01609	\$13.19

Fax Orders: 248-442-8327

Phone Orders: 1.800.Angelo.2 (1.800.264.3562)

PLOW PARTS & ACCESSORIES

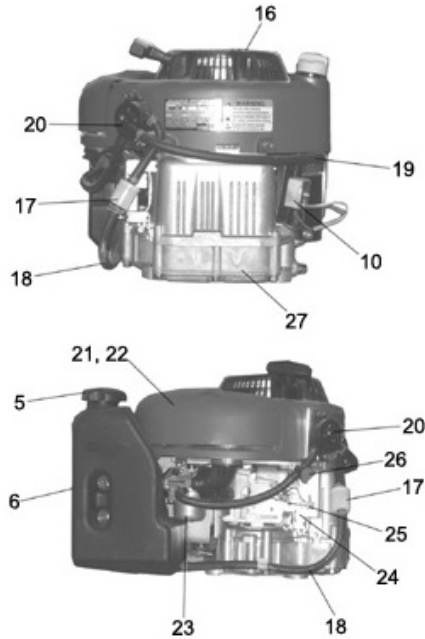
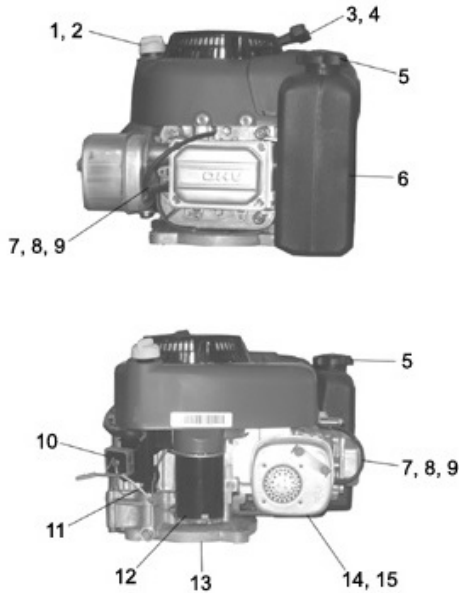
HYDRAULIC HOSES - COUPLERS - ELBOWS - CONTROLLERS - BLADE GUIDES - BRIGGS PARTS

PART NUMBER	HYDRAULIC HOSES CONTD	Plow Brand	Replaces Part#	PRICE
1304225	Hose 1/4" x 38"	Western	55020	\$8.99
1304227	Hose 1/4" x 42", w/FJIC Ends		56616, Z104997	\$17.59
1304229	Hose 1/4" x 16", w/FJIC Ends	Western	56617	\$12.19
1304231	Hose 1/4" x 8", w/FJIC Ends		56765, 56832-Fisher	\$10.89
1304232	Hose 1/4" x 12", w/FJIC Ends	Western	44347	\$10.99
1304233	Hose 1/4" x 22", w/FJIC Ends		56598, 56830	\$14.49
1304234	Hose 1/4" x 36", w/FJIC Ends	Western	56831-1	\$15.39
1304236	Hose 3/8" x 38", w/FJIC Ends	Western	44351	\$15.99
1304237	Hose 3/8" x 45", w/FJIC Ends		44350, Z104998	\$18.69
1304030	Hose 1/4" x 45" w/Swivel 90 Degree	Meyer	21856, M21856	\$11.59
M21856	Hose 1/4" x 45" w/Swivel 90 Degree OEM		21586	\$26.19
1304042	Hose 1/4" x 39"	Meyer	22396	\$21.09
Z127000	Hose 3/8 x 78 W/FJIC Ends (Wideout)	Western	49468	\$34.19
Z127001	Hose 3/8 x 38 W/FJIC Ends (Wideout)		44351	\$20.69
Z127002	Hose 3/8 x 32 W/FJIC Ends (Wideout)	Western	49469	\$22.19
Z127003	Hose 3/8 x 67 W/FJIC Ends (Wideout)		49467	\$31.39
Z104999	Hose 1/4 x 18 W/FJIC Ends	Western	41094	\$17.49
Z107945	Hose 3/8 x 33 Super V	Meyer	M22418, 22418	\$20.59
HYDRAULIC COUPLERS & ELBOWS				
1304025	Hydraulic Quick Coupler 1/4"	Universal	25232,15072, M15072,8750200100	\$8.19
1304029	Quick Coupler 1/4" NPT, Male Hose, Female Block	Meyer	15847C	\$23.19
1304028C	1/4" NPT Coupler Female Hose, Male Block		22293	\$29.79
1304140	1/4" NPT Male, 45 Degree Female	Diamond	W92190K, 92190K, 92190, W92190	\$1.99
1304145	1/4" NPT Male, 90 Degree Female		N/A	\$3.09
1304055	Elbow 90 Degree Swivel	Meyer, Universal	N/A	\$3.19
1304245	Male Elbow, Tall (E-60)		92275, B92275, W92275	\$3.29
1304240	Male Elbow Short (E-60), 1/4 Male NPT	Meyer	92278, B92278, W92278, H3529x4	\$1.69
1304235	Street Elbow 1/4" Male NPT x 90 Degree Female NPT	Western	92210, W92210, B92210, H3409x4	\$2.49
1304238	Elbow Kit 90 Degree, W/O-ring, Male JIC, Male Straight Thread	Western	H5515x6	\$1.29
1304737	Swivel Elbow 3/8" MOR x 3/8" FPS	Boss	HYD01620	\$4.19
1304738	Swivel Elbow 3/8" MP x 3/8" FPS		HYD07018	\$3.09
HYD01620	Swivel Elbow 3/8" MOR x 3/8" FPS OEM	Boss	1304737	\$7.29
HYD07018	Swivel Elbow 3/8" MP x 3/8" FPS OEM		1304738	\$8.79
PLOW CONTROLLERS				
1306903	Control Hand Held Straight Blade	Boss	N/A	\$178.99
STB09602	Boss Control Hand Held Straight Blade OEM	Boss	N/A	\$344.19
MSC09601	Boss V-Plow Hand Held Control		N/A	\$356.19
1306901	Universal Control Meyer, Diamond, Straight Blade	Meyer	N/A	\$178.99
1306902	Western, Fisher, Straight Blade Universal Control	Western	N/A	
W56369	Joystick Control White Plug OEM	Western	N/A	\$336.39
W56462	Hand Held Western Control OEM		N/A	
W96462	Hand Held MVP Western Control OEM	Western	N/A	\$505.49
W96369	Joystick MVP Control OEM	Western	N/A	
W96500	Western MVP & Wideout Control OEM		N/A	
BLADE GUIDES				
MSC01870	24" Red Blade Guide Set OEM	Boss	BAX00005	\$27.09
1308300	26" Black Blade Guide Set	Fisher	7906K, FA5108, BA5108, 27195 1010-1075	\$9.59
1308005	24" Yellow Blade Guide Set	Meyer	09916, 09916C, M09916, 09917	\$9.09

Trade names, Meyer, Western, etc. used in this catalog are for reference purposes only. Angelo's Supplies, Inc. doesn't imply that the products are of these manufacturers. Prices subject to change without notice. All sales are final on electrical items. All authorized returns are subject to a 30% restocking fee. All special order items must be prepaid and sales are final. NO returns or exchanges will be permitted. NS-not shown.

PLOW PARTS ACCESSORIES & BRIGGS & STRATTON

PART NUMBER	BLADE GUIDES	Plow Brand	Replaces Part#	PRICE
1308200	24" Red Blade Guide Set	Western	96106696, MSC01870, 2040, B61049 62265, 62595, 25010118,	\$9.09
1308205	24" Orange Reflective Blade Guide Set	Universal	62595, W62595	\$20.59
1308110	36" Orange Blade Guide Set	Universal	M2036, 2036	\$23.29
1308115	48" Orange Blade Guide Set	Universal	N/A	\$27.39
W59700	24" Red Blade Guide Set W/Flag OEM	Western	N/A	\$48.79
1308210	24" Red Thnk Snow Blade Guide Set W/Flag	Universal	59700, W59700	\$14.69
16122100	Orange Blade Guide Set	Snowdogg	N/A	\$12.39



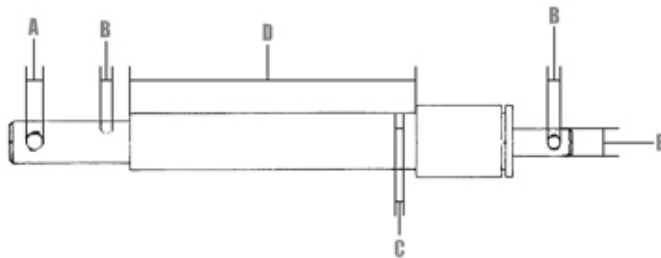
LOC NO	PART NUMBER	DESCRIPTION	PRICE
1	BS699908	Dipstick	\$8.59
2	BS790442	Dipstick Assy	\$32.69
3	BS695132	Starter Rope Briggs	\$6.49
4	BS493926	Pull Handle Briggs	\$11.49
5	BS792647	Gas Cap Briggs	\$5.99
5	BS795027	Gas Cap 10.5 Briggs	\$6.49
6	BS792168	Fuel Tank 10.5	\$90.99
7	BS491055	Spark Plug Briggs	\$4.39
7	BS89838	Spark Plug Wrench	\$4.29
8	BS691909	Spark Plug Boot Briggs	\$3.29
9	BS591459	Ignition Coil Armature Briggs	\$49.89
10	BS794360	Voltage Regulator Briggs	\$46.29
11	BS692306	Harness/wire Assy Briggs	\$11.09
12	BS693699	Drive Sprocket For BS593934	\$44.89
12	1410719	Starter Motor For Briggs Sam	\$72.49
12	BS593934	Starter Motor Briggs	\$82.89
13	BS697740	Short Block	\$493.09
14	BS796000	Muffler Briggs	\$77.99
15	BS795036	Muffler Deflector Briggs	\$4.29
16	BS591606	Recoil Starter Assy Briggs	\$78.69
17	BS691035	Fuel Filter Briggs	\$6.49

LOC NO	PART NUMBER	DESCRIPTION	PRICE
18	BS791766	Fuel Line Briggs	\$5.99
19	BS791805	Fuel Hose	\$13.09
20	BS697090	Fuel Pump Briggs	\$46.89
21	BS697292	Pre Air Filter 10.5	\$5.09
22	BS591583	Air Filter 10.5 New Style	\$18.89
22	BS794421	Filter Air Cleaner 10.5	\$12.09
22	BS691668	Air Cleaner Knob Briggs	\$4.89
22	BS691667	Air Filter Oval Briggs	\$20.39
23	BS799728	Carburetor Briggs	\$146.09
23	BS790902	Choke Assm 10.5	\$19.59
24	1410713	Throttle Motor Briggs	\$77.59
24	1411910	Throttle Linkage Briggs	\$6.69
24	BS693663	Governor Link Briggs	\$6.29
24	BS694042	Throttle Bracket Briggs	\$25.99
25	BS691972	Insulator Briggs	\$6.99
26	BS698183	Fuel Shut Off	\$7.39
27	3006887	Engine 10.5 Briggs I/c	\$736.39
NS	BS691840	Link Choke Briggs 9/10.5	\$4.89
NS	BS693557	Flywheel 10.5 Briggs	\$154.49
NS	BS691278	Spring Governor Briggs	\$6.29
NS	Z107880	Fluid Film Spray Can	\$11.99

Fax Orders: 248-442-8327

Phone Orders: 1.800.Angelo.2 (1.800.264.3562)

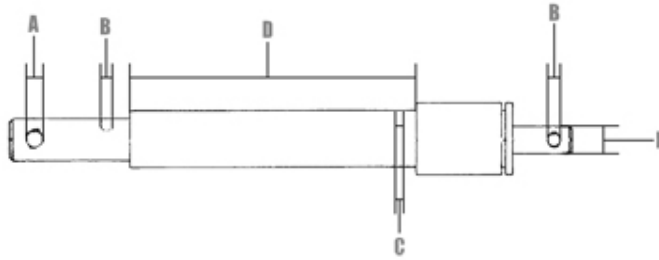
HYDRAULIC CYLINDERS



PART NUMBER	REPLACES	REPLACES PART	ACTING	A PIN SIZE	B PORT SIZE	C PORT SIZE	PORT LOCATION	D STROKE	E RAM DIAMETER	SALE PRICE
1303550	Snoway	96100085	Double	3/4" & 1/2"	3/8" O-Ring	3/8" O-Ring	90 of Pin	4"	1-1/2"	\$144.09
1303554		96101977		Inline w/Pin			9"	\$148.59		
1303557		96107455	Single	1/2"	3/8" O-Ring	N/A	90 of Pin	11-1/4"		\$101.59
1303700	Snoway	96106077	Double	3/4"	3/8" O-Ring	3/8" O-Ring	90 of Pin	3-7/8"	1-1/2"	\$134.89
1304005	Meyer	05810	Single	5/8"	1/4" NPT	N/A	Inline w/Pin	10"	1-1/2"	\$61.39
1304020		05984						6"		\$58.09
1304010	Meyer	05437	Single	5/8"	1/4" NPT	N/A	Inline w/Pin	12"	1-1/2"	\$64.99
1304015	Meyer	05752						2"	\$96.19	
1304100	Diamond	81700020	Single	1"	1/4" NPT	N/A	90 of Pin	10"	1-1/2"	\$55.19
1304200	Western	25209					Inline w/Pin			\$64.59
1304201	Western	56538	Single	3/4"	3/8" O-Ring	N/A	90 of Pin	8"	1-1/2"	\$58.09
1304202	Western	56614						10"		\$55.19
1304203	Western	64148	Single	1"	3/8" O-Ring	N/A	90 of Pin	12"	1-1/2"	\$58.09
1304204	Western	56750	Double				3/8" O-Ring	90 of Pin	11"	1-1/2"
1304205	Western	56102	Single	3/4"	1/4" NPT	N/A	90 of Pin	10"	1-1/2"	\$56.59
1304210	Western	25200						Inline w/Pin		6"
1304215	Western	25210	Single	3/4"	1/4" NPT	N/A	Inline w/Pin	6"	2"	\$84.19
1304217	Western	56709	Double	1"	3/8" O-Ring	3/8" O-Ring	90 of Pin	10"	1-1/2"	\$100.09
1304220	Western	25878	Single	1"	1/4" NPT	N/A	Inline w/Pin	16"	2"	\$116.19
1304300	Fisher	A3660	Single	1"	1/4" NPT	N/A	90 of Pin	12"	1-1/2"	\$58.09
1304305	Fisher Lift	20116K					Inline w/Pin	10"		
1304310	Fisher	A5166	Single	1-1/64"	1/4" NPT	N/A	90 of Pin	16"	2"	\$182.59
1304311	Fisher	56718	Single	1"	3/8" O-Ring	N/A	Inline w/Pin	6"	1-1/2"	\$58.09
1304312	Fisher	56603K					90 of Pin	12"		\$60.99
1304505	Highway	N/A	Single	1-1/64"	1/4" NPT	N/A	Inline w/Pin	10"	1-1/2"	\$69.39
1304510	Schmidt Wausau	7080103	Single	1"	1/4" NPT	N/A	Inline w/Pin	10"	2"	\$143.09
1304515	Good Roads	7080101			3/8" NPT	N/A	90 of Pin	10"	2-1/2"	\$160.09
1304520	Valk	CS3010	Single	1-1/64"	3/8" NPT	N/A	90 of Pin	10"	3"	\$194.79
1304530	Gledhill	PD832			3/8" NPT	N/A	90 of Pin	10"	2-1/2"	\$179.49
1304545	Henke	7080104	Double	1"	3/8" NPT	3/8" NPT	90 Of Pin	9-1/2"	3"	\$268.99
1304550	Good Roads	99806239	Double	1-1/64"			90 Of Pin	10"	3"	\$238.99
1304555	Valk	CD4010			90 Of Pin	4"	\$378.09			
1304646	Blizzard Side Box Cylinder	B60347	Double	5/8"	3/8" NPT	3/8" NPT	90 Of Pin	13-15/16"	1-1/2"	\$152.29
1304647		B60207			3/8" NPT	3/8" NPT		18-7/16"	1-3/4"	\$207.39
16154100	Snowdogg	N/A	Single	7/8"	N/A		90 Of Pin	12"	1-1/2"	\$136.59
16154120	Snowdogg		Single		N/A			10"		
16154140	Snowdogg	N/A	Single	7/8"	N/A		90 Of Pin	N/A	1-1/2"	\$154.19
16154200	Snowdogg		Single		N/A			6"	2"	\$139.39
16154220	Snowdogg	N/A	Single	7/8"	9/16 O-Ring	9/16 O-Ring	90 Of Pin	N/A	1-1/2"	\$107.79
16154300	Snowdogg		Double		N/A			N/A		\$143.79
96112070	Snoway	N/A	Single	3/4"	3/8" O-RING	-	90 of Pin	11-7/8"	1"	\$82.19
HYD01603	Boss	1304700	Single	5/8"	3/8" O-Ring	N/A	Inline w/Pin	10"	1-1/2"	\$201.69

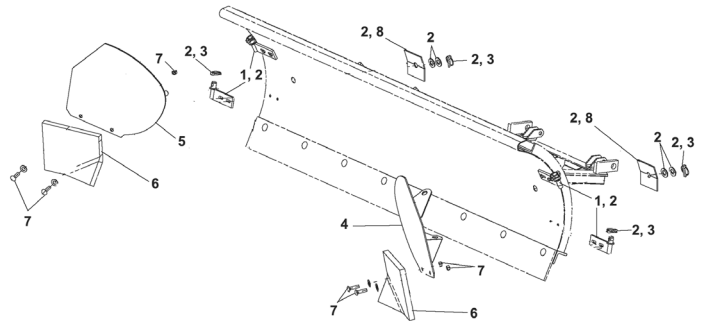
Trade names, Meyer, Western, etc. used in this catalog are for reference purposes only. Angelo's Supplies, Inc. doesn't imply that the products are of these manufacturers. Prices subject to change without notice. All sales are final on electrical items. All authorized returns are subject to a 30% restocking fee. All special order items must be prepaid and sales are final. NO returns or exchanges will be permitted. NS-not shown.

HYDRAULIC CYLINDERS



PART NUMBER	REPLACES	REPLACES PART	ACTING	A PIN SIZE	B PORT SIZE	C PORT SIZE	PORT LOCATION	D STROKE	E RAM DIAMETER	SALE PRICE
HYD01703	Boss	HYD1703	Single	5/8"	3/8" O-Ring	N/A	90 of Pin	10"	1-1/2"	\$438.29
HYD08830	Boss	1304704	Double		3/8" O-Ring	1/4" NPT	90 & 180 Of Pin		1-1/2"	\$242.79
W56614	Western	1304202	Single	3/4"	3/8" O-Ring	N/A	90 of Pin	10"	1-1/2"	\$141.79
W62540	Western	62540	Single	3/4"	1/4" NPT	N/A	90 of Pin	6"	1-1/2"	\$198.09
W66722	Western	66722					Inline w/Pin	8"		\$287.39
HYD09985	Boss	N/A	Single	5/8"	3/8" O-Ring	-	90 of Pin	6"	1-1/2"	\$150.69a
HYD09733	Boss						Inline w/Pin	10"		\$386.09
W64706	Western	64706	Single	1"	1/4" NPT	N/A	90 of Pin	10"	1-1/2"	\$201.79
W49460	Western	49460			3/8" O-Ring		90 of Pin	10"		\$175.89
1304700	Boss	HYD01603	Single	5/8"	3/8" O-Ring	N/A	Inline w/Pin	10"	1-1/2"	\$78.19
W44341	Western	44341	Double	1"	1/4" NPT	Inline Top	90 of Pin	11"	1-3/4"	\$413.89
1305210	Packing Nut	N/A							1-1/2"	\$16.59
1305211		25944K								\$16.59
1305310		5763								\$16.79

Fax Orders: 248-442-8327



Pro Wings are a one size fits most steel plows except 9 or 10 footers. Pro Wings give your plow an additional 20" of width and pitched about 10 degrees to the front now making your Snow Plow like a scoop Plow wings will cut down wind rows and save you 10-20% plowing time. Remove your plow wings before traveling on public roads as the snow plow may be over the legal width. Pro Wings are NOT recommended as an extension wing for Meyer 2 Meter snowplows or Western 8.5 or any 9 or 10 ft plow.

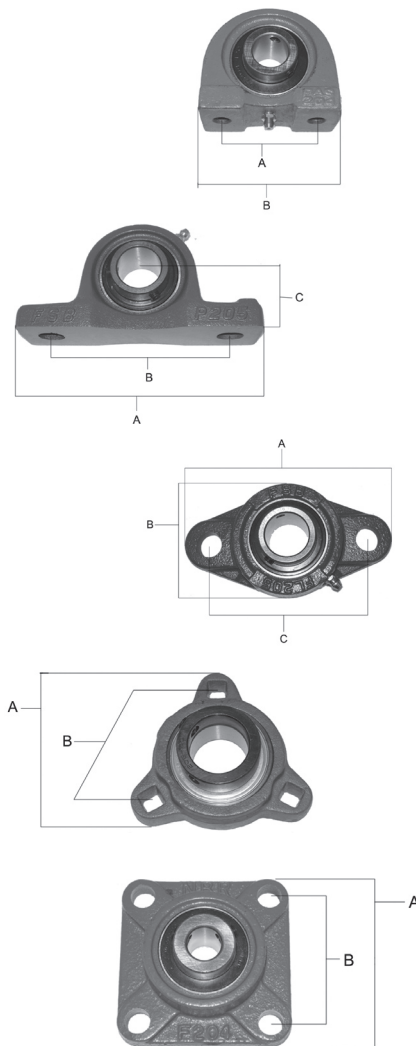
LOC NO	PART NUMBER	DESCRIPTION	PRICE
N/A	PW22	Pro Wing Kit	\$174.99
1	3000307	Pro Wing Pin Brackets	\$16.79
2	3001447	Pro Wing Mount & Hardward Kit	\$29.49
3	1303032	Linch Pin 7/16 Plow Shoes	\$0.69
4	0020100	Pro Wing Drivers Side Wing	\$86.29

LOC NO	PART NUMBER	DESCRIPTION	PRICE
5	0020200	Pro Wing Passenger Side Wing	\$86.29
6	0020500	Rubber Edge Pro Wing	\$20.69
7	Z100068	Bolt Kit (4) 1/2 x 2-1/2	\$4.59
8	0020700	Washer Pro Wing	\$5.09

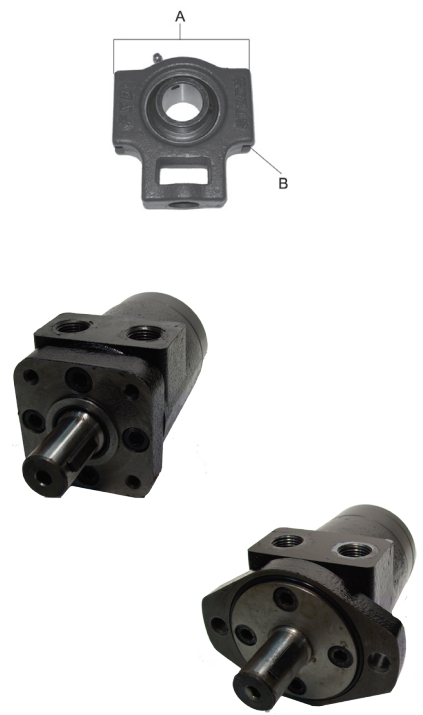
Phone Orders: 1.800.Angelo.2 (1.800.264.3562)

BEARINGS

PILLOW TAPPED BASE						
PART NUMBER	BORE SIZE	A	B	C	BOLT SIZE	SALE PRICE
1420101	3/4"	2"	2-7/8"	N/A	3/8"	\$15.99
3009067	1"	2-1/4"	3-1/4"			\$12.69
PILLOW FLANGE BASE						
1420100	3/4"	5"	3-3/4"	1-5/16"	1/2"	\$11.99
P16SP	1"	5-1/2"	4-1/8"	1-7/16"		\$9.99
P18SCR	1-1/8"	6-1/2"	4.3/4"	1-3/4"	5/8"	\$7.89
P20SCR	1-1/4"					
TWO BOLT FLANGE						
2F12SCR	3/4"	4-3/8"	2-3/8"	3-5/8"	7/16"	\$6.59
2F16	1"	5-1/8"	2-11/16"	4"	5/8"	\$8.09
1411000		3-11/16"	2-1/2"	3"	3/8"	\$10.09
2F16SCR	1"	4-7/8"	2-3/4"	3-7/8"	1-2"	\$7.09
2F18SCR	1-1/8"	5-3/4"	3-1/8"	4-9/16"	9/16"	\$11.29
1410200		4-7/16"	3"	3-9/16"	7/16"	\$11.39
2F20SCR	1-1/4"	5-13/16"	3-1/8"	4-39/64"	5/8"	\$8.99
3008294		6-1/4"	3-1/2"	5-3/32"		\$13.59
9240086		4-1/2"	3"	3-5/8"		\$10.09
THREE BOLT FLANGE						
3FS20	1-1/4"	4"	3"	N/A	7/16"	\$23.09
FOUR BOLT FLANGE						
0208430	5/8"	N/A	2-1/4"	N/A	3/8"	\$10.89
3003032		3-3/8"	2-5/8"		7/16"	\$7.89
4F12SCR	3/4"	3-3/4"	2-3/4"	N/A	1/2"	\$5.79
4F16SCR	1"				7/16"	\$9.69
4F20SCR	1-1/4"	4-1/4"	3-15/16"	N/A	7/16"	\$10.79
TAKE UP						
1411001	1"	3"	1/2" KEY	N/A	5/8"	\$7.59
3008290	1-1/4"	4"			N/A	\$18.99



TWO BOLT HYDRAULIC MOTORS					
PART NUMBER	SHAFT SIZE	DISPLACEMENT	PORT SIZE	KEYED SHAFT	SALE PRICE
CM002P	1"	2.8 CU. IN.	1/2" NPT	YES	\$152.29
CM012P		4.5 CU. IN.			\$167.99
CM032P	1"	7.3 CU. IN.	1/2" NPT	YES	\$176.69
CM042P		9.7 CU. IN.			\$181.59
CM052P	1"	11.3 CU. IN.	1/2" NPT	YES	\$186.19
CM062P		14.1 CU. IN.			\$191.99
CM072P	1"	17.9 CU. IN.	1/2" NPT	YES	\$196.99
CM082P		22.6 CU. IN.			\$201.59
FOUR BOLT HYDRAULIC MOTORS					
CM004P	1"	2.8 CU. IN.	1/2" NPT	YES	\$152.29
CM014P		4.5 CU. IN.			\$167.99
CM034P	1"	7.3 CU. IN.	1/2" NPT	YES	\$176.69
CM044P		9.7 CU. IN.			\$181.59
CM054P	1"	11.3 CU. IN.	1/2" NPT	YES	\$186.19
CM064P		14.1 CU. IN.			\$191.99
CM074P	1"	17.9 CU. IN.	1/2" NPT	YES	\$195.79
CM084P		22.6 CU. IN.			\$201.59



BEARINGS - CAUTION LIGHTS - PLOW LIGHTS - TRUCK LIGHTS - STROBE LIGHTS - LED LIGHTS

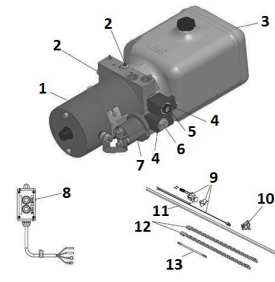
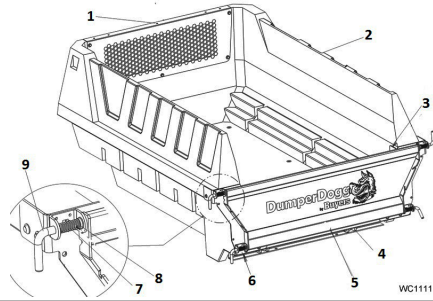
Trade names, Meyer, Western, etc. used in this catalog are for reference purposes only. Angelo's Supplies, Inc. doesn't imply that the products are of these manufacturers. Prices subject to change without notice. All sales are final on electrical items. All authorized returns are subject to a 30% restocking fee. All special order items must be prepaid and sales are final. NO returns or exchanges will be permitted. NS-not shown.

CAUTION LIGHTS - PLOW LIGHTS & LED TRUCK LIGHTS

PART NUMBER	PLOW LIGHTS	SALE PRICE
725548	UNIVERSAL PLOW LIGHT KIT HALOGEN OLD STYLE	\$109.99
1311005	Halogen Plow Light Kit w/Wiring	\$190.79
725561	WESTERN 9 PIN SNOW PLOW LIGHT KIT	\$182.09
W61540	WESTERN PLOW LIGHT KIT 9 PIN OEM	\$340.39
W64100	WESTERN PLOW LIGHT KIT 11 PIN OEM	\$302.79
W61543	WESTERN PLOW LIGHT KIT 12 PIN OEM	\$377.69
W28800	WESTERN NITEHAWK PLOW LIGHT KIT OEM	\$312.09
16160700	Snowdogg Plow Light Kit	\$204.29
M07550	Meyer Nite Saber II Plow Light Kit w/Wiring	\$362.19
1311100	Universal Halogen Plow Light Kit	\$144.99
CAUTION LIGHTS		
RL650A	Revolving Tear Drop Light, Amber Lens, Magnetic Mount, Cigar Plug End	\$13.09
8891020	Revolving Mini Bar Light, Amber lens	\$95.59
AX4411	Utility Light Permanent Mount, Halogen, Rubber Housing	\$8.59
LED TRUCK LIGHTS		
5621534	1.5" Led License Plate Light Round, 4 led's, Clear Lens, Hard Wired	\$5.89
5622032	2" Led License Plate Light Rectangle, 2 led's, Chrome Housing, Hard Wired	\$6.59
5627523	3/4" Round Amber Led Light, 3 led's, Hard Wired Male/Bullet Ends	\$5.09
5627513	3/4" Round Red Led Light, 3 led's, Hard Wired Male/Bullet Ends	
5622101	2" Round Red Led Light w/Grommet,	\$3.59
5622201	2" Round Amber Led Light w/Grommet,	
5621719	17" Led Rectangle Marker Bar Light, 9 Led's, Red Lenses, Polycarbonate	\$9.99
5621720	14" Led Rectangle Marker Bar Light, 9 Led's, Red Lenses, Stainless Steel	\$13.69
5624110	4" Round Led Stop,Turn,Tail Light 10 Led's w/Grommet, PL3 Connection	\$10.59
5624118	4" Round Led Stop,Turn,Tail Light 18 Led's w/Grommet, PL3 Connection	\$12.79
5626510	6" Oval Led, Stop,Turn,Tail Light, Red Lens w/Grommet, 10 Led's, PL3 Connection	\$9.99
5626520	6" Oval Led, Stop,Turn,Tail Light, Red Lens w/Grommet, 20 Led's, PL3 Connection	\$14.49
5626310	6" Oval Led, Back Up, Clear Lens w/Grommet, 10 Led's, Std PL2 Connection	\$27.49
5626210	6" Oval Led, Turn Signal, Amber Lens w/Grommet, 10 Led's, PL3 Connection	\$10.89
WARNING LIGHTS		
SL40AR	4" Round Warning Light, Amber Lens, Self Contained Flash, 24 Leds,	\$32.69
SL40CR	4" Round Warning Light, Clear Lens, Self Contained Flash, 24 Leds	\$36.29
SL65CO	6" Oval Warning Light, Clear Self Contained Strobe Led, 24 Leds	
SL65AO	6" Oval Warning Light, Amber Lens, Self Contained Flash, 24 Leds	\$30.69
8891016	4" Round Rechargeable Led Road Flare, Magnetic, Strobe, 16 Amber Leds, 9 Patterns	\$21.79
43572	4" Round Light Bracket	\$5.09
43362	6" Oval Led Bracket	\$8.19
STROBE LIGHTS & LED LIGHTS		
SL500A	Strobe Light Magnetic Mount, Amber Lens, Cigar Plug 4" Dia x 3" High	\$21.69
SL650A	Strobe Light Magnetic Mount, Amber Lens, Cigar Plug 6" Dia x 4-3/4" High	\$42.29
SL645ALP	Strobe Light Magnetic or Permanent Mount, Amber Lens, 12-48V, 6-7/16" x 5", 1.5 Amps	\$75.79
1492110	5" Led Clear Utility Light, Rubber Housing, 54 Leds, 375 Lumens	\$27.39
1492115	4-1/2" Led Clear Utility Light, Metal Housing, 6 Leds, 1350 Lumens	\$28.99
1492113	5.75" Oval Led Flood-Spot Light, 6 Leds, metal1350 Lumens	\$37.69
8891050	Rectangle Mini Led Light Bar, Clear Lens, 24 Amber Leds, 10.93" L x 5.75" W x 3.44" H, Magnetic Mount	\$115.89
8891040	Rectangle Mini Led Light Bar, Clear Lens, 24 Amber Leds, 11"L x 6.5"W x 2.25"H, Magnetic Mount	\$83.39
8891042	Rectangle Mini Led Light Bar, Clear Lens, 12 Amber -12 Clear Leds, 11"L x 6.5"W x 2.25"H, Magnetic Mount	\$86.79
8891060	Hexagonal Mini Led Light Bar, 56 Amber Leds, 15"L x 8.25"W x 3"H, Magnetic Mount	\$185.09
8891100	Hexagonal Mini Led Light Bar, 30 Amber Leds, 16.75"L x 11"W x 2.75"H, Vacuum-Magnetic Mount	\$289.89

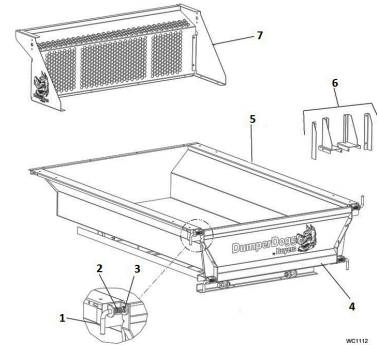
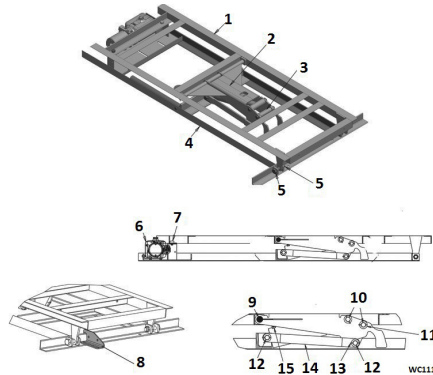
More lights online at www.angelos-supplies.com

DUMPER DOGG REPLACEMENT PARTS



LOC NO	PART NUMBER	DESCRIPTION	PRICE
1	3014013	Screen Poly Dumper	\$80.49
2	3013970	Hopper Poly Dumper	\$2260.49
3	3014028	Washer Plate Poly Dumper	\$5.19
4	3014030	Inner Panel Poly Dumper	\$20.29
5	3014800	Tailgate Replacement Poly Dog	\$311.89
6	3014032	End Cap Poly Dumper	\$198.49
7	3000422	Spring Steel Poly Dumper	\$1.39
8	3000423	Pin 3/16 X 1-3/4 Dumper	\$.69
9	3000420	Pin Steel Poly Dumper	\$5.19

LOC NO	PART NUMBER	DESCRIPTION	PRICE
1	Z100035	Motor Arctic,Boss,Sno-Way	\$86.29
2	B3766	Relief Valve Dumper	\$12.39
3	14157	Tank Dumper	\$124.39
4	B00678	Coil Dumper	\$89.39
5	B7193	Valve 2 Way Dumper	\$152.89
6	B0455	Valve 4 Way Dumper	\$245.19
7	17757	Solenoid Dumper	\$48.69
8	17008	Controller Dumpdogg W/2 Cords	\$152.89
9	SK10	Switch Body Up Indicator Kit	\$38.89
10	CB150PB	Circuit Breaker150 Amp	\$20.69
11	3014298	Wire Harness Dumper	\$100.99
12	B31648SC	Chain Dumper	\$3.29
13	3008518	Harness Battery Dumper	\$15.39



LOC NO	PART NUMBER	DESCRIPTION	PRICE
1	3023140	Top Frame 6 Ft Dumper	\$406.29
1	3023134	Top Frame 8 Ft Dumper	\$363.29
2	3013964	Housing Cylinder	\$140.99
3	3013960	Link Dumper Frame	\$24.29
4	3023141	Bottom Frame 6 Ft Dumper	\$644.49
4	3023133	Bottom Frame 8 Ft Dumper	\$478.99
5	BY-7	Bolt & Lock Nut 1 X 4	\$4.39
6	PU642TP	Pump For Dumper	\$396.99
7	3003286	Bumper For Dumper	\$4.29
8	3015469	Hook Universal Dumper	\$12.29
9	3013967	Rod For Dumper	\$18.49
10	3014379	Pin For Dumper	\$7.39
11	1303205	Washer Western Shoes 1 X 1-3/4	\$.29
12	3014380	Pin For Dumper	\$8.49
13	Z100418	Cotter Pin 3/16 x 2-1/4	\$.49
14	3013956	Strap For Dumper	\$34.09
15	H9515X6X6	Elbow For Dumper	\$2.69

LOC NO	PART NUMBER	DESCRIPTION	PRICE
1	3000420	Pin Steel Poly Dumper	\$5.19
1	3000420SS	Pin Stainless Steel Dumper	\$9.49
2	3000422	Spring Steel Poly Dumper	\$1.39
2	3000422SS	Spring Stainless Dumperdogg	\$2.79
3	3000423	Pin 3/16 X 1-3/4 Dumper	\$.69
4	3021086	Tailgate Steel Dumper	\$287.09
4	3023202	Tailgate Stainless Stl Dumper	\$502.99
5	3017044	Hopper 6 Ft Steel Dumper	\$1189.79
5	3015534	Hopper 8 Ft Steel Dumper	\$1501.19
5	3017093	Hopper 6 Ft Stainles Stl Dump	\$1948.19
5	3016602	Hopper 8 Ft Stainles Stl Dump	
6	5531020	Dumperdogg Side Ext Kit Stl	\$143.99
6	5534020	Dumperdogg Side Ext Brk Kits	\$174.09
7	5531010	Dumperdogg Cab Guard Steel	\$239.29
7	5534010	Dumperdogg Cab Guard Ss	\$406.09

Trade names, Meyer, Western, etc. used in this catalog are for reference purposes only. Angelo's Supplies, Inc. doesn't imply that the products are of these manufacturers. Prices subject to change without notice. All sales are final on electrical items. All authorized returns are subject to a 30% restocking fee. All special order items must be prepaid and sales are final. NO returns or exchanges will be permitted. NS-not shown.

DUMPER DOGG - PARTS - MEYER - BLIZZARD - BOSS - CURTIS - DIAMOND - FISHER - CUTTING EDGES

CUTTING EDGES

Part Number	Description	Replaces OEM or Plow Brand	Thick	Tall	Hole Size Shape	No Of Holes	Top Of Edge To Hole	Edge To 1st Hole	Edge To 2nd Hole	Edge To 3rd Hole	Edge To 4th Hole	Weight	SALE PRICE
BLIZZARD STRAIGHT BLADE													
1304603	7.5' Cut Edge	B61258 & B61168	1/2"	6"	1/2" Slot	8	1.63"	1.69"	12-3/8"	-	-	76 lbs	\$122.69
1304600	7.42' Cut Edge	B52067 & B61292		6"	1/2" Slot	7	1-1/2"	2-1/2"	14"	-	-		\$121.39
1304601	7.88' Cut Edge	B52095 & B11962	1/2"	6"	1/2" Slot	7	1"	3-3/4"	14-1/2"	-	-	81 lbs	\$128.89
1304604	8' Cut Edge	B61259 & B61164	1/2"	6"	1/2" Slot	8	1-1/2"	1.73"	13.22"	-	-	81 lbs	\$130.89
1304605	8.5' Cut Edge	B61534 & B61528		6"	1/2" Slot	8	1.63"	2"	14"	-	-	86 lbs	\$139.09
BOSS STRAIGHT BLADE & V-BLADE													
BAX00098	8.2 Cut edge V	N/A	1/2"	6"	5/8" SQ	8	1-1/2"	1-1/2"	14-1/2"	27-1/2"	40-1/2"	75 lbs	\$116.79
BAX0004	9.2 Cut edge V	Old Style		6"	1/2" SQ	10	1-5/8"		7-1/2"	20-1/2"	33-1/2"	88 lbs	\$92.89
BAX0099	9.2 Cut edge V		1/2"	6"	5/8" SQ	10	1-5/8"	1-1/2"	7-1/2"	20-1/2"	33-1/2"	88 lbs	\$135.49
BAR08858	8.2 V Formed Edge PS	N/A	1/2"	6"	5/8" SQ	4	1-3/4"	3-1/2"	14-1/2"	25-1/2"	36-1/2"	45 lbs	\$244.89
BAL08859	8.2 V Formed Edge DS	N/A		6"	5/8" SQ	4	1-3/4"	3-1/2"	14-1/2"	25-1/2"	36-1/2"	45 lbs	\$244.89
BAR08860	9.2 V Formed Edge PS	N/A	1/2"	6"	5/8" SQ	5	1-3/4"	8-5/8"	21-1/2"	34-3/8"	47-3/8"	50 lbs	\$274.09
BAL08861	9.2 V Formed Edge DS	N/A		6"	5/8" SQ	5	1-3/4"	8-5/8"	21-1/2"	34-3/8"	47-3/8"	50 lbs	\$274.09
BAX0096	8' Cut Edge	N/A	1/2"	6"	1/2" SQ	10	1"	2"	6"	18"	30"	81 lbs	\$105.79
BAX0108	9' Cut Edge	N/A		6"	1/2" SQ	10	1"	3"	12"	24"	36"	92 lbs	\$115.99
STB3002	7.5' Cut Edge	N/A	1/2"	6"	1/2" SQ	8	1"	3"	15"	27"	39"	76 lbs	\$99.19
STB3072	8.5' Cut Edge	N/A		6"	1/2" SQ	10	1"		3"	9"	21"	33"	87 lbs
STB03242	9' Cut Edge	N/A	1/2"	6"									\$226.29
07235*	10' Cut Edge Highway Punch	Standard Highway Punched	1/2"	6"	5/8" SQ	12	1-1/2"	3"	6"	18"	30"	101 lbs	\$122.09
CURTIS STRAIGHT BLADES													
1304800	7.5' Cut Edge	1TBP49A	3/8"	6"	1/2" Slot	7	3"	1-1/2"	16"	30-1/2"	45"	57 lbs	\$106.79
1304801	8' Cut Edge	1TBP49B		6"	1/2" Slot	7	3"		1-1/2"	17"	32-1/2"	48"	61 lbs
1304802	8.5' Cut Edge	1TBP49J	3/8"	6"	1/2" Slot	9	3"	1"	12.5"	23"	37-1/2"	66 lbs	\$120.99
1304803	9' Cut Edge	1TBP49C		6"	1/2" SQ		9	3"	1-1/2"	12"	26"	40"	91 lbs
DIAMOND STRAIGHT BLADES													
1301105	45" Cut Edge	801100019	1/2"	6"	1/2" SQ	8	3"	3"	9"	15"	21"	38 lbs	\$65.69
1301110	51" Cut Edge	801100020	1/2"	6"	1/2" SQ	7	3"	3"	15"	24"	27"	43 lbs	\$74.89
1301100	18" Cut Edge	811000233	1/2"			3			3"	9"	15"	-	14 lbs
FISHER STRAIGHT BLADES													
1301305	8' Cut Edge	5533	1/2"	6"	1/2" Slot	8	1-1/4"	4.47"	16.91"	29.35"	41.79"	81 lbs	\$105.09
1301310	9' Cut Edge	5534	1/2"	6"	5/8" Slot	11	1-1/4"	3"	6"	18"	30"	114 lbs	\$116.09
MEYER STRAIGHT BLADES													
09796	7.5' Cut Edge	1301025	1/2"	6"	1/2" SQ	8	1"	1-5/8"	14-1/6"	26-1/2"	38-7/8"	76 lbs	\$99.19
	10-24 pcs												\$91.59
	25 Or More Pcs												\$73.67
09133	8' Cut Edge	1301035	1/2"	6"	1/2" SQ	8	1"	4-1/2"	16-15/16"	29-3/8"	42-3/8"	81 lbs	\$105.79
	10-24 pcs												\$89.35
	25 Or More Pcs												\$80.15
09134	8.5' Cut Edge	1301040	1/2"	6"	1/2" SQ	9	1"	1-1/4"	15-11/16"	26-3/16"	38-5/8"	86 lbs	\$112.39
07259	9' Cut Edge	1301045	1/2"	6"	5/8" SQ	11	1-1/4"	3"	6"	18"	30"	91 lbs	\$115.99
09218	8.5' Cut Edge	N/A	1/2"	6"	5/8" SQ	12	3"	2"	6-1/2"	13"	24"	80 lbs	\$238.29
09219	9.5' Cut Edge	N/A	1/2"	6"	-	-	-	-	-	14-1/2"	27"	90 lbs	\$274.89
M12538	Center Rubber V Plow	N/A	N/A	N/A	N/A	N/A	N/A	N/A	N/A	N/A	N/A	3 lbs	\$45.99
SNODOGG STRAIGHT BLADES													
16120510	6.67' Cut Edge	MD68 Only	3/8"	6"	5/8" SQ	9	1-1/4"	3"	6"	16.88"	28.13"	50 lbs	\$106.99
16120520	7.5' Cut Edge	MD HD2 TE	3/8"			9	1-1/4"	3"	6"	16.88"	28.13"	57 lbs	\$124.89
16120610	7.5' Cut Edge	TE EX	1/2"	6"	5/8" SQ	10	1-1/4"	3"	6"	16.88"	28.13"	76 lbs	\$159.99
16120530	8' Cut Edge	HD	3/8"				-					1-1/4"	-
16120620	8' Cut Edge	MD EX2 TE	1/2"	6"	5/8" SQ	-	1-1/4"	-	-	-	-	81 lbs	\$165.19

Fax Orders: 248-442-8327

Phone Orders: 1.800.Angelo.2 (1.800.264.3562)

CUTTING EDGES

Part Number	Description	Replaces OEM or Plow Brand	Thick	Tall	Hole Size Shape	No Of Holes	Top Of Edge To Hole	Edge To 1st Hole	Edge To 2nd Hole	Edge To 3rd Hole	Edge To 4th Hole	Weight	SALE PRICE
SNOWDOGG V PLOW BLADES													
16120920	8' Cut Edge	XP810	1/2"	6"	5/8" SQ	-	1-1/4"	2.5"	17.5"	28.5"	39.5"	76 lbs	\$146.59
16120630	8.5' Cut Edge	EX	1/2"			10	1-1/4"	3"	6"	19.13"	31.88"	86 lbs	\$172.59
16120640	9' Cut Edge	EX2 TE	1/2"	6"	5/8" SQ	-	1-1/4"	-	-	-	-	91 lbs	\$178.19
16120662	10' Cut Edge	CM100	5/8"			12	1-1/4"	3"	6"	18"	30"	126 lbs	\$255.39
16120810	Cutting Edge 34"	VMD75	3/8"	6"	5/8" SQ	-	-	-	-	-	-	22 lbs	\$88.09
16120811		-	1/2"			6"	-	-	-	-	-	-	29 lbs
16120820	Cutting Edge 40"	VX/VXF85	1/2"	6"	5/8" SQ	-	-	-	-	-	-	34 lbs	\$124.59
16120830	Cutting Edge 46"	VX/VXF95				6"	-	-	-	-	-	-	39 lbs
16120840	Center Edge Center	Drive Side	1/2"	6"	5/8" SQ	-	-	-	-	-	-	10 lbs	\$53.49
16120850	Center Edge Center	Passenger Side				6"	-	-	-	-	-	-	
SNOWWAY STRAIGHT BLADES													
1303510	Cut 6.5' Edge St, 24, 25	96106376	3/8"	6"	1/2" SQ	10	1.75"	4"	12"	N/A	N/A	51 lbs	\$90.89
1303515	Cut 7.5' Edge 24, 25, Nt, Ht	96100237	1/2"			12		1"	8"	17"	25"	76 lbs	\$133.19
1303520	Cut 8' Edge 24, 25, Nt, Ht	96100239		6"	1/2" SQ	8	1.75"	4"	12"	20"	28"	81 lbs	\$139.89
1303530	Cut 6.8' Edge 26	96107649 96106376	3/8"					2"	10"	22"	34"	51 lbs	\$90.49
1303535	Cut 7.5' Edge 26, 29, 29T	96106668 96106336	3/8"	6"	1/2" SQ	9	1.75"	9"	21"	33"	57 lbs	\$103.19	
1303536			1/2"					2"	76 lbs	\$128.99			
1303540	Cut 8' Edge 29 29T	96106337 96106669	3/8"	6"	1/2" SQ	9	1.75"	2"	12"	24"	36"	81 lbs	\$105.99
1303543			1/2"					81 lbs	\$135.09				
1303542	12' Cut Edge	Std Highway	5/8"	5"	5/8" SQ	14	1.5"	3"	6"	18"	30"	194 lbs	\$248.19
WESTERN STRAIGHT BLADES													
49066	Cut 6.5' Edge	1301200	3/8"	6"	1/2" SQ	8	1"	2-5/8"	10-7/8"	22-1/8"	33-3/8"	50 lbs	\$85.99
49264	6.5' Cut Edge Unimount	N/A	1/4"			5"	7	3/4"	4-1/2"	16"	27-1/2"	27-1/2"	
W49070	7' Cut Edge	N/A	1/2"	6"	1/2" SQ	8	1-1/2"	2-5/8"	13-7/18"	25-1/8"	36-3/8"	55 lbs	\$135.99
49088-AS	7.5' Cut Edge	1301215	1/2"	6"	1/2" SQ	8	1-1/4"	2-5/8"	16-7/8"	28-1/8"	39-3/8"	76 lbs	\$99.19
	10-24 pcs												94.07
	25 Or More Pcs												\$73.02
W64760	7.5' Cut Edge MidWt	N/A	1/2"	6"	5/8" Slot	10	1-1/4"	2-1/2"	5-1/2"	12-1/2"	25-1/2"	76 lbs	\$156.69
49350	7.5' Cut Edge Poly Plow	1301292			1/2" SQ	8	2-1/16"	2-5/8"	16-7/16"	28-1/8"	39-3/8"	75 lbs	\$99.19
64775	7.5' Cut Edge Pro Plus & Wideout	1301294	1/2"	6"	5/8" Slot	10	1-1/4"	2-1/2"	5-1/2"	12-1/2"	25-1/2"	75 lbs	\$99.19
49089	8' Cut Edge	N/A	1/2"	6"	1/2" SQ	8	1-1/4"	2-1/2"	15-1/2"	28-1/8"	41-1/2"	80 lbs	\$105.79
	10-24 pcs												\$97.63
	25 Or More Pcs												\$78.53
49351	8' Cut Edge Poly Plow	N/A	1/2"	6"	1/2" SQ	8	2-1/16"	2-1/2"	15-1/2"	28-1/8"	41-1/2"	80 lbs	\$105.79
63980	8' Cut Edge Pro Plus	N/A			5/8" Slot	10	1-1/4"		5-1/2"	15-1/2"	28-1/2"		
49086	8.5' Cut Edge	N/A	1/2"	6"	1/2" SQ	8	1-1/4"	2-1/2"	18-1/2"	31-1/2"	44-1/2"	80 lbs	\$112.39
	10-24 pcs												\$94.95
	25 Or More Pcs												\$83.47
63985	8.5' Cut Edge Pro Plus	1301296	1/2"	6"	5/8" Slot	10	1-1/4"	2-1/2"	5-1/2"	18-1/2"	31-1/2"	85 lbs	\$112.39
49251	9' Cut Edge	N/A			1/2" SQ					21-1/2"	34-1/2"	90 lbs	\$115.99
58817	9' Cut Edge	1301275	1/2"	6"	5/8" Slot	11	1-5/8"	3"	6"	15"	30"	90 lbs	\$115.99
63990	9' Cut Edge Pro Plus	N/A				10	1-1/4"	2-1/2"	5-1/2"	21-1/2"	34-1/2"	90 lbs	\$115.99
WESTERN BACK DRAG BLADES													
1311211	7.5' Back Drag	64758	1/4"	5-1/2"	5/8" Slot	12	1-1/8"	2-1/2"	5-1/2"	12-1/2"	25-1/2"	35 lbs	\$58.99
W52278	7.5' Back Drag Wide Out OEM	1311218	N/A			10	N/A	N/A	N/A	N/A	N/A	35 lbs	\$172.59
W44281	7.5' Back Drag MVP Set OEM	1311215	1/4"	5-1/4"	3/4"	14	.94"	.63"	3.63"	15.38"	22.13"	44 lbs	\$233.09
1311212	8' Back Drag	66892	1/4"	5-1/2"	5/8" Slot	10	1-1/8"	2-1/2"	5-1/2"	15-1/2"	28-1/2"	37 lbs	\$64.39
1311213	8.5' Back Drag	66999								18-1/2"	31-1/2"	39 lbs	\$64.69

Trade names, Meyer, Western, etc. used in this catalog are for reference purposes only. Angelo's Supplies, Inc. doesn't imply that the products are of these manufacturers. Prices subject to change without notice. All sales are final on electrical items. All authorized returns are subject to a 30% restocking fee. All special order items must be prepaid and sales are final. NO returns or exchanges will be permitted. NS-not shown.

CUTTING EDGES

Part Number	Description	Replaces OEM or Plow Brand	Thick	Tall	Hole Size Shape	No Of Holes	Top Of Edge To Hole	Edge To 1st Hole	Edge To 2nd Hole	Edge To 3rd Hole	Edge To 4th Hole	Weight	SALE PRICE
WESTERN BACK DRAG BLADES CONT													
1311216	8.5' Back Drag MVP Set	44282	1/4"	5-1/4"	3/4"	14	.94"	.63"	3.63"	17.31"	26.31"	31 lbs	\$156.79
1311214	9' Back Drag	66991	1/4"	5-1/2"	5/8" Slot	10	1-1/8"	2-1/2"	5-1/2"	21-1/2"	34-1/2"	41 lbs	\$67.99
W44283	9' Back Drag MVP Set OEM	1311217		5-1/4"	3/4"	14	.94"	.63"	3.63"	20-1/4"	29-1/4"	34 lbs	\$319.89
WESTERN MVP BLADES													
44996	7.5' Cut Edge MVPP ps/ds 1 pc	1311202	1/2"	6"	5/8" Slot	5	1-9/16"	3-3/4"	7"	18-5/8"	25-3/8"	29 lbs	\$88.29
44997	8.5' Cut Edge MVPP ps/ds 1 pc	1311203	1/2"		5/8" Slot	5			6.81"	20.46"	29.46"	43 lbs	\$78.69
44898	9.5' Cut Edge MVPP ps/ds 1 pc	1311204	1/2"	6"	5/8" Slot	5	1-9/16"	3-7/8"	6-7/8"	23-1/2"	32-1/2"	39 lbs	\$87.09
VW375685	8.5' Cut Edge MVP	28407	1/2"	6"	5/8" Slot	10	1-3/8"	2"	16-1/8"	30-1/4"	44-3/8"	85 lbs	\$112.39
63678	9.5' Cut Edge MVP ps/ds 1 pc	1311201	1/2"		5/8" Slot	6		2"	8"	22-1/8"	36-1/4"	46 lbs	\$107.99
RUBBER CUTTING EDGE													
Z300001	8" Rubber Cut Edge	1-1/2"	8"	N/A	N/A	N/A	N/A	N/A	N/A	N/A	N/A	8.5 lbs Per Ft	\$14.00
	50-99 Ft												\$12.25
	100 Foot or More												\$10.50
Z300002	10" Rubber Cut Edge	1-1/2"	10"	N/A	N/A	N/A	N/A	N/A	N/A	N/A	N/A	10.5 lbs Per Ft	\$17.50
	50-99 Ft												\$15.35
	100 Foot or More												\$13.15
POLY CUTTING EDGE													
1312505	8' Cut Edge Yellow	1-1/2"	8"	No Holes	N/A	N/A	N/A	N/A	N/A	N/A	N/A	48 lbs	\$500.29
1312510	9' Cut Edge Yellow											54 lbs	\$563.89
1312515	10' Cut Edge Yellow											59 lbs	\$626.49
CUTTING EDGE BOLTS													
1312202	Rubber Cutting Edge Center For Western (MVP Plows ONLY)											38 lbs	\$23.19
W63510	Mounting Plate Driver Side OEM Western (MVP Plow ONLY)											3 lbs	\$29.09
1304402	Mounting Plate Driver Side Western (MVP Plow ONLY)											3 lbs	\$21.99
W63509	Mounting Plate Passenger Side OEM Western (MVP Plow ONLY)											3 lbs	\$29.09
1304403	Mounting Plate Passenger Side Western (MVP Plow ONLY)											3 lbs	\$21.99
1301815	Curb Guard Universal Highway Punch Pattern											11 lbs	\$41.79
1311208	Cut Edge Center Kit MVP Plus ONLY											23 lbs	\$84.09
W44894	Center Edge Kit OEM MVP Plus Only											23 lbs	\$109.99
1311207	Center Edge Driver Side MVP Plus Only											10 lbs	\$37.99
1311206	Center Edge Passenger Side MVP Plus Only												
1301061	Bolt Kit 10 Pcs 1/2" x 2"											3 lbs	\$9.09
1303500	Bolt Kit 12 Pcs 1/2" x 2"											3 lbs	\$8.99
1301065	Bolt Kit 12 Pcs 5/8" x 2-1/2"											5 lbs	\$10.99
1301062	Bolt Kit 10 Pcs 1/2" x 2-1/2"											5 lbs	\$13.79
Z102085	Bolt Kit 12 Pcs 5/8" x 3-1/2"											6 lbs	\$15.49

Fax Orders: 248-442-8327

Phone Orders: 1.800.Angelo.2 (1.800.264.3562)



A SiteOne™ Company

29820 W 8 Mile Rd
Farmington Hills, Mi 48336

3 Convenient Easy Ways To Order

Online

www.angelos-supplies.com

Phone

1-800-Angelo-2
(1-800-264-3562)

Fax

248-442-8327

Same Day Shipping
FedEx-US Mail-UPS
Orders Placed By 3:00 Pm EST

