

# ROSI

# Teh

[www.rositeh.si](http://www.rositeh.si)

*Vse za kmetijsko in industrijsko hidravliko*

EVERYTHING FOR AGRICULTURAL AND INDUSTRIAL HYDRAULICS

SVE ZA POLJOPRIVREDNU I INDUSTRIJSKU HIDRAULIKU

ALLES FÜR LANDWIRTSCHAFT UND INDUSTRIE HYDRAULIK

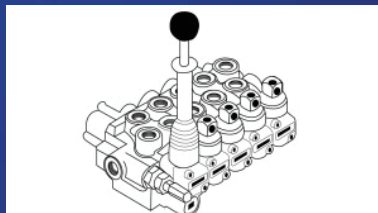
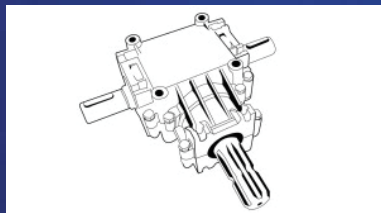
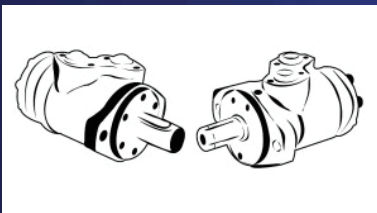
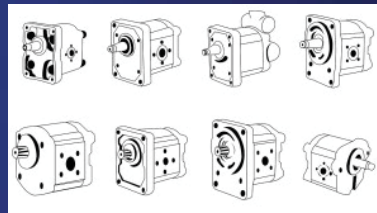
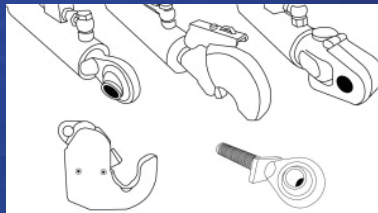
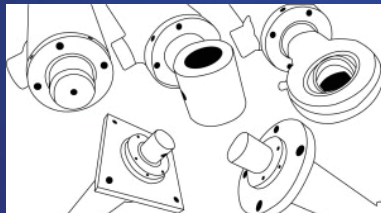
MINDEN A MEZŐGAZDASÁGI ÉS IPARI HIDRAULIKA SZÁMÁRA

# ROSI

# Teh

## GENERALNI KATALOG

## GENERAL CATALOGUE



## O NAS

Podjetje ROSI Teh je bilo ustanovljeno leta 2010 kot tedaj ROSI Teh, Roman Mikolič s.p.

01.01.2017 se je podjetje razširilo v družbo ROSI Teh d.o.o. z sedežem na Dravinjski cesti 96 v Poljčanah. Ker smo prisotni v mnogih evropskih državah smo ustanovili tudi družbo ROSI Hidraulika d.o.o. v Bosni in Hercegovini s sedežem v Srebreniku.

Prav tako smo prisotni na vseh pomembnejših sejnih kot doma v Sloveniji kot tudi v tujini, Hrvaška, Avstrija, Madžarska.

V letu 2016 smo tudi ustanovili hčerinsko podjetje Agritehnika, d.o.o.

## S ČIM SE UKVARJAMO?

Podjetje ROSI Teh, d.o.o. nudi vse za kmetijsko in industrijsko hidravliko.

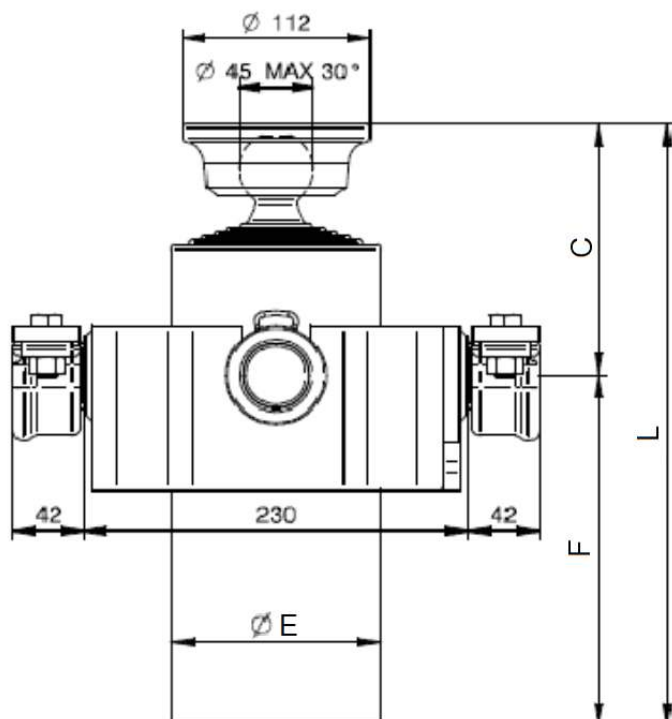
Za gotovostjo lahko zatrdimo, da smo v Sloveniji med vodilnimi na področju hidravlične opreme in rezervnimi deli kot so, hidravlični cilindri, črpalke, ventili, hidro motorji, agregati, volanski sistemi, cevi...

Z svojim znanjem in predanostjo ter izkušnjami rešimo vsak problem stranke na področju kmetijstva in industrije.

Podjetje Agritehnika, d.o.o. je največja spletna kmetijska trgovina z sedežem v Mariboru.

V naši spletni trgovini, z več kot 700.000 artikli boste našli zelo veliko delov za traktorje, prikolice, traktorske priključke, kot tudi ročno orodje in deli za same vrtničkarje.

COMPACT TELESKOPSKI CILINDRI.....	3
KIPER CILINDRI TEHNOSTROJ PRIKOLIC.....	3
TELESKOPSKI - KIPER CILINDRI.....	4
DODATNA OPREMA ZA KIPER CILINDRE.....	4
STANDARD HIDRAVLICNI CILINDRI.....	5-8
HOLE HIDRAVLICNI CILINDRI.....	9-10
POINT HIDRAVLICNI CILINDRI.....	11-12
FORK HIDRAVLICNI CILINDRI.....	13-14
FLANGE HIDRAVLICNI CILINDRI.....	15
ZAVORNI HIDRAVLICNI CILINDRI.....	15
NAVOJNE HIDRAVLICNE POTEZNICE.....	16
SPECIAL HIDRAVLICNE POTEZNICE.....	16
STANDARD HIDRAVLICNE POTEZNICE.....	17
AVTOMATSKE HIDRAVLICNE POTEZNICE .....	18
ELEKTRICNI CILINDRI.....	19
OSTALA OPREMA.....	20
ZOBNISKE HIDRAVLICNE CERPALKE.....	21
MULTIPLIKATORJI.....	22
LITOZELEZNE HIDRAVLICNE CERPALKE.....	23
ROCNE HIDRAVLICNE CERPALKE.....	24
OSTALE HIDRAVLICNE CERPALKE.....	25
NSZ HIDRAVLICNE CERPALKE.....	25
TRAKTORSKE HIDRAVLICNE CERPALKE.....	26
HIDROMOTORJI.....	27-28
MONOBLOK KRMILNI VENTILI .....	29-30
POTNI VENTILI.....	31-32
HIDRAVLICNI FILTRI.....	33
HLADILNIKI HIDRAVLICNGA OLJA.....	34
HIDRAVLICNI AGREGATI.....	35-36
OLJA IN MAZIVA.....	37
HIDRAVLICNI AKUMULATORJI.....	38
STROJI ZA CEVI.....	38
HIDRAVLICNI MANOMETRI.....	39
HIDRAVLICNI VOLANI.....	39
CEVI, PRIKLJUČKI IN HITRE SPOJKE.....	40
REDUKTORJI.....	41
KARDANSKI NASTAVKI.....	41
BENCINSKI IN DIESEL MOTORJI.....	42
ELEKTRO MOTORJI.....	42
DELI ZA CIRKULAR.....	43
SEDEŽI.....	43
VITLI.....	43-44
KLEŠČA IN ROTATORJI.....	45-46
OPREMA ZA PRIKOLICE.....	47-48
TABELA MOČI HIDRAVLICNIH CILINDROV.....	49
KAKO DO NAS?.....	50



ŠIFRA	HOD [mm]	NOSILNOST PRI 180 bar	ŠTEVILO STOPENJ	DIMENZIJE STOPENJ						DIMENZIJE CILINDRA				TEŽA [kg]	VOLUMEN OLJA [l]
				32 TON 1,4	45 TON 2,9	60 TON 5,0	75 TON 7,9	90 TON 11,4	105 TON 15,6	C [mm]	F [mm]	L [mm]	E [mm]		
10329	1010	4,5	3		•	•	•			149	349	498	95	33	3,5
10411	814	6	4		•	•	•	•		152	214	366	110	30	3,6
11390	1043	6	4		•	•	•	•		152	269	421	110	34	4,5
10330	1174	6	4		•	•	•	•		152	304	456	110	35	5,2
10482	1354	6	4		•	•	•	•		152	349	501	110	37	5,9
10331	1012	7,1	5		•	•	•	•	•	154	214	368	125	36	5,6
10458	1162	7,1	5		•	•	•	•	•	154	244	398	125	39	6,4
10412	1287	7,1	5		•	•	•	•	•	154	269	423	125	41	7
10459	1462	7,1	5		•	•	•	•	•	154	304	458	125	44	7,9
11605	861	6	6	•	•	•	•	•	•	157	154	311	125	31	3,9
11606	1041	6	6	•	•	•	•	•	•	157	184	341	125	33	4,8
11266	1221	6	6	•	•	•	•	•	•	157	214	371	125	36	5,8

## KIPER CILINDRI TEHNOSTROJ PRIKOLIC

ANHÄNGER KIPPZYLINDER TEHNOSTROJ - TEHNOSTROJ TELESCOPIC CYLINDER - DÖMPER HENGER PÓTKOCSIHOZ



NAZIV	ŠT. STOPENJ	NOSILNOST [kg]	HOD [mm]	MIN [mm]	MAX [mm]
K3B-5T	3	5	805	510	1315
K3B-7T	3	7	805	510	1315
K4B-7TS	4	7	900	470	1370
K4B-7T	4	7	1050	510	1560
K4B-10T	4	10	1050	510	1560

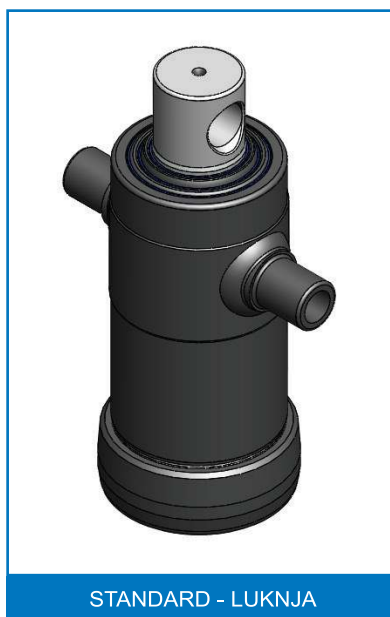


# TELESKOPSKI - KIPER CILINDRI

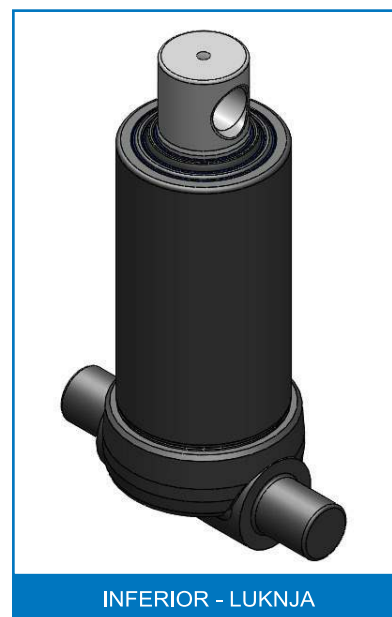
TELESKOP KIPPZYLLINDER - GENERAL TELESCOPIC CYLINDER - TELESZKÓPOS DÖMPÉR HENGEREK



STANDARD - KROGLA

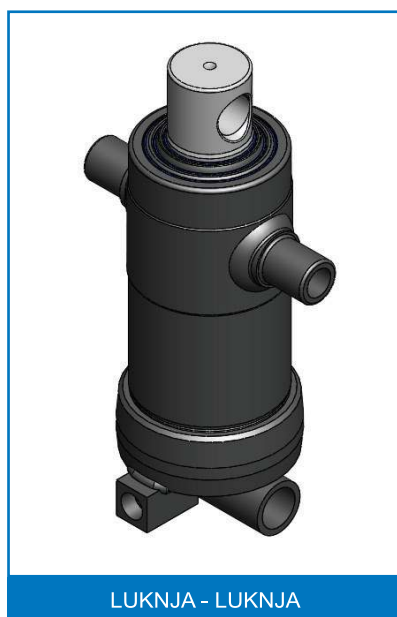


STANDARD - LUKNJA

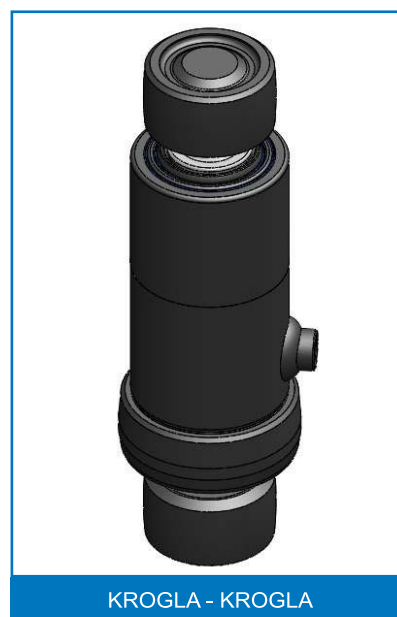


INFERIOR - LUKNJA

PONUJAMO:  
- TELESKOPSKÉ CILINDRE Z RAZLIČNIM ŠTEVILOM STOPENJ OD 2-10  
- TELESKOPSKÉ CILINDRE Z RAZLIČNO NOSILNOSTJO OD 3,3 TON DO 50 TON



LUKNJA - LUKNJA



KROGLA - KROGLA

## DODATNA OPREMA ZA KIPER CILINDRE

KIPPZYLLINDER AUSRÜSTUNG - TELESCOPIC CYLINDER ACCESSORIES - TATOZÉKOK A BILENŐ HENGEREKHEZ



ZIBELKE



KONČNI KIPER VENTIL



NOSILCI



HIDRAVLICNE CEVI



OLJNI PRIKLJUČKI

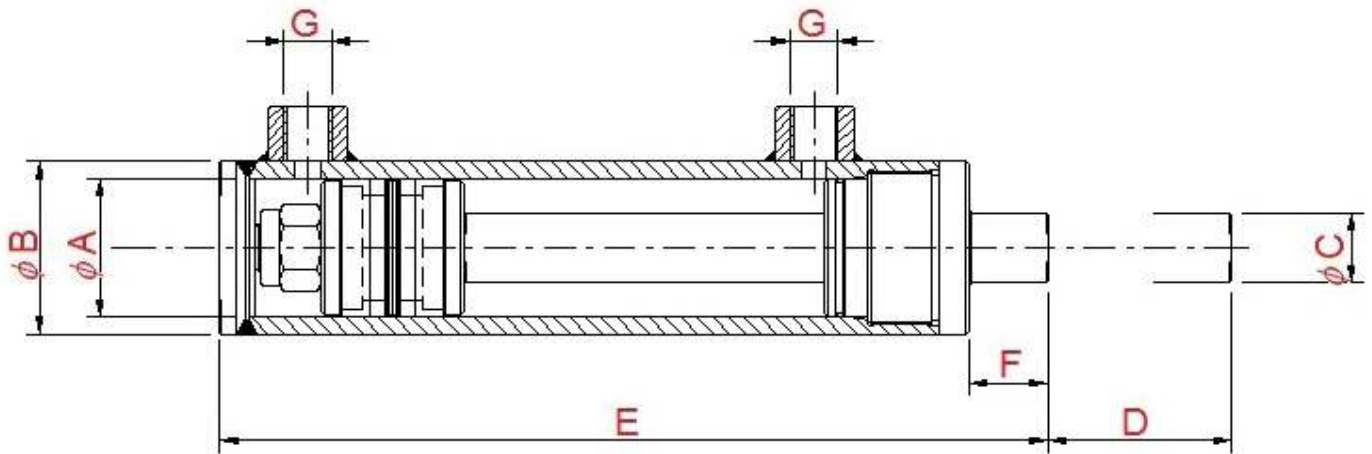


CILINDER 32/20	A [mm]	B [mm]	C [mm]	E [mm]	F [mm]	D (hod) [mm]	G	CENA
32/20-050	32	40	20	180	22	50	3/8"	
32/20-100	32	40	20	230	22	100	3/8"	
32/20-150	32	40	20	280	22	150	3/8"	
32/20-200	32	40	20	330	22	200	3/8"	
32/20-250	32	40	20	380	22	250	3/8"	
32/20-300	32	40	20	430	22	300	3/8"	
32/20-350	32	40	20	480	22	350	3/8"	
32/20-400	32	40	20	530	22	400	3/8"	
32/20-450	32	40	20	580	22	450	3/8"	
32/20-500	32	40	20	630	22	500	3/8"	
32/20-550	32	40	20	680	22	550	3/8"	
32/20-600	32	40	20	730	22	600	3/8"	
32/20-700	32	40	20	830	22	700	3/8"	
32/20-800	32	40	20	930	22	800	3/8"	
32/20-900	32	40	20	1030	22	900	3/8"	
32/20-1000	32	40	20	1130	22	1000	3/8"	

CILINDER 40/25	A [mm]	B [mm]	C [mm]	E [mm]	F [mm]	D (hod) [mm]	G	CENA
40/25-050	40	50	25	180	22	50	3/8"	
40/25-100	40	50	25	230	22	100	3/8"	
40/25-150	40	50	25	280	22	150	3/8"	
40/25-200	40	50	25	330	22	200	3/8"	
40/25-250	40	50	25	380	22	250	3/8"	
40/25-300	40	50	25	430	22	300	3/8"	
40/25-350	40	50	25	480	22	350	3/8"	
40/25-400	40	50	25	530	22	400	3/8"	
40/25-450	40	50	25	580	22	450	3/8"	
40/25-500	40	50	25	630	22	500	3/8"	
40/25-550	40	50	25	680	22	550	3/8"	
40/25-600	40	50	25	730	22	600	3/8"	
40/25-700	40	50	25	830	22	700	3/8"	
40/25-800	40	50	25	930	22	800	3/8"	
40/25-900	40	50	25	1030	22	900	3/8"	
40/25-1000	40	50	25	1130	22	1000	3/8"	
40/25-1100	40	50	25	1230	22	1100	3/8"	
40/25-1200	40	50	25	1330	22	1200	3/8"	
40/25-1300	40	50	25	1430	22	1300	3/8"	
40/25-1400	40	50	25	1530	22	1400	3/8"	
40/25-1500	40	50	25	1630	22	1500	3/8"	

# STANDARD HIDRAVLIČNI CILINDRI

HYDRAULIKZYLINDER STANDARD - HYDRAULIC CYLINDER STANDARD - STANDARD HIDRAULIKUS HENGEREK



CILINDER 50/30	A [mm]	B [mm]	C [mm]	E [mm]	F [mm]	D (hod) [mm]	G	CENA
50/30-100	50	60	30	240	22	100	3/8"	
50/30-150	50	60	30	290	22	150	3/8"	
50/30-200	50	60	30	340	22	200	3/8"	
50/30-250	50	60	30	390	22	250	3/8"	
50/30-300	50	60	30	440	22	300	3/8"	
50/30-350	50	60	30	490	22	350	3/8"	
50/30-400	50	60	30	540	22	400	3/8"	
50/30-450	50	60	30	590	22	450	3/8"	
50/30-500	50	60	30	640	22	500	3/8"	
50/30-550	50	60	30	690	22	550	3/8"	
50/30-600	50	60	30	740	22	600	3/8"	
50/30-700	50	60	30	840	22	700	3/8"	
50/30-800	50	60	30	940	22	800	3/8"	
50/30-900	50	60	30	1040	22	900	3/8"	
50/30-1000	50	60	30	1140	22	1000	3/8"	
50/30-1100	50	60	30	1240	22	1100	3/8"	
50/30-1200	50	60	30	1340	22	1200	3/8"	
50/30-1300	50	60	30	1440	22	1300	3/8"	
50/30-1400	50	60	30	1540	22	1400	3/8"	
50/30-1500	50	60	30	1640	22	1500	3/8"	

CILINDER 60/30	A [mm]	B [mm]	C [mm]	E [mm]	F [mm]	D (hod) [mm]	G	CENA
60/30-100	60	70	30	260	23	100	3/8"	
60/30-150	60	70	30	310	23	150	3/8"	
60/30-200	60	70	30	360	23	200	3/8"	
60/30-250	60	70	30	410	23	250	3/8"	
60/30-300	60	70	30	460	23	300	3/8"	
60/30-350	60	70	30	510	23	350	3/8"	
60/30-400	60	70	30	560	23	400	3/8"	
60/30-450	60	70	30	610	23	450	3/8"	
60/30-500	60	70	30	660	23	500	3/8"	
60/30-600	60	70	30	760	23	600	3/8"	
60/30-700	60	70	30	860	23	700	3/8"	
60/30-800	60	70	30	960	23	800	3/8"	
60/30-900	60	70	30	1060	23	900	3/8"	
60/30-1000	60	70	30	1160	23	1000	3/8"	
60/30-1100	60	70	30	1260	23	1100	3/8"	
60/30-1200	60	70	30	1360	23	1200	3/8"	
60/30-1300	60	70	30	1460	23	1300	3/8"	
60/30-1400	60	70	30	1560	23	1400	3/8"	
60/30-1500	60	70	30	1660	23	1500	3/8"	

CILINDER 60/40	A [mm]	B [mm]	C [mm]	E [mm]	F [mm]	D (hod) [mm]	G	CENA
60/40-100	60	70	40	260	23	100	3/8"	
60/40-150	60	70	40	310	23	150	3/8"	
60/40-200	60	70	40	360	23	200	3/8"	
60/40-250	60	70	40	410	23	250	3/8"	
60/40-300	60	70	40	460	23	300	3/8"	
60/40-350	60	70	40	510	23	350	3/8"	
60/40-400	60	70	40	560	23	400	3/8"	
60/40-450	60	70	40	610	23	450	3/8"	
60/40-500	60	70	40	660	23	500	3/8"	
60/40-600	60	70	40	760	23	600	3/8"	
60/40-700	60	70	40	860	23	700	3/8"	
60/40-800	60	70	40	960	23	800	3/8"	
60/40-900	60	70	40	1060	23	900	3/8"	
60/40-1000	60	70	40	1160	23	1000	3/8"	

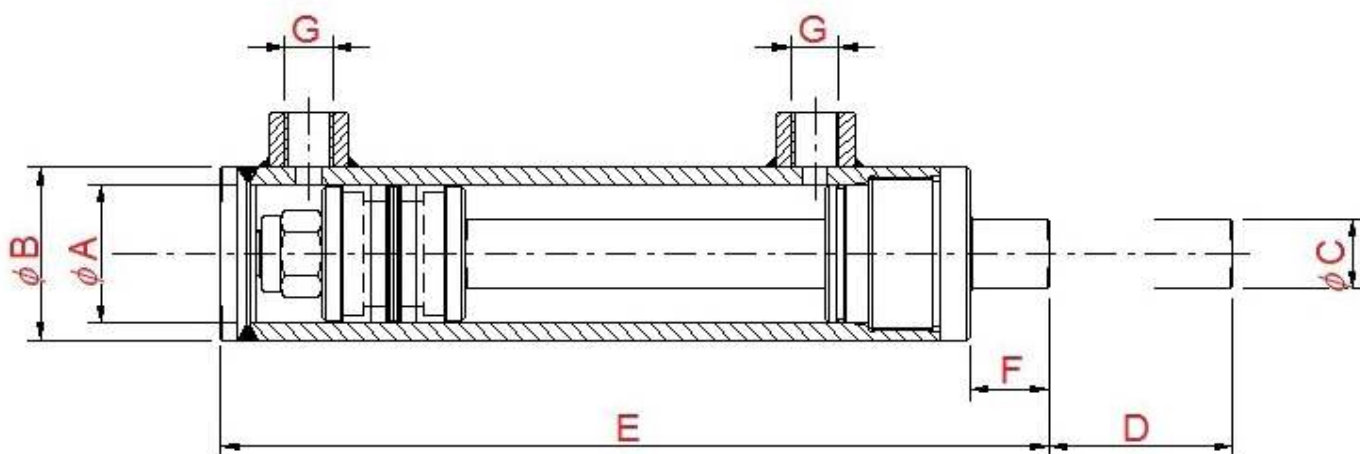
CILINDER 70/40	A [mm]	B [mm]	C [mm]	E [mm]	F [mm]	D (hod) [mm]	G	CENA
70/40-100	70	80	40	271	34	100	3/8"	
70/40-150	70	80	40	321	34	150	3/8"	
70/40-200	70	80	40	371	34	200	3/8"	
70/40-250	70	80	40	421	34	250	3/8"	
70/40-300	70	80	40	471	34	300	3/8"	
70/40-350	70	80	40	521	34	350	3/8"	
70/40-400	70	80	40	571	34	400	3/8"	
70/40-450	70	80	40	621	34	450	3/8"	
70/40-500	70	80	40	671	34	500	3/8"	
70/40-550	70	80	40	721	34	550	3/8"	
70/40-600	70	80	40	771	34	600	3/8"	
70/40-700	70	80	40	871	34	700	3/8"	
70/40-800	70	80	40	971	34	800	3/8"	
70/40-900	70	80	40	1071	34	900	3/8"	
70/40-1000	70	80	40	1171	34	1000	3/8"	
70/40-1100	70	80	40	1271	34	1100	3/8"	
70/40-1200	70	80	40	1371	34	1200	3/8"	
70/40-1300	70	80	40	1471	34	1300	3/8"	
70/40-1400	70	80	40	1571	34	1400	3/8"	
70/40-1500	70	80	40	1671	34	1500	3/8"	

CILINDER 80/40	A [mm]	B [mm]	C [mm]	E [mm]	F [mm]	D (hod) [mm]	G	CENA
80/40-100	80	92	40	275	25	100	1/2"	
80/40-150	80	92	40	325	25	150	1/2"	
80/40-200	80	92	40	375	25	200	1/2"	
80/40-250	80	92	40	425	25	250	1/2"	
80/40-300	80	92	40	475	25	300	1/2"	
80/40-350	80	92	40	525	25	350	1/2"	
80/40-400	80	92	40	575	25	400	1/2"	
80/40-450	80	92	40	625	25	450	1/2"	
80/40-500	80	92	40	675	25	500	1/2"	
80/40-600	80	92	40	775	25	600	1/2"	
80/40-700	80	92	40	875	25	700	1/2"	
80/40-800	80	92	40	975	25	800	1/2"	
80/40-900	80	92	40	1075	25	900	1/2"	
80/40-1000	80	92	40	1175	25	1000	1/2"	



# STANDARD HIDRAVLIČNI CILINDRI

HYDRAULIKZYLINDER STANDARD - HYDRAULIC CYLINDER STANDARD - STANDARD HIDRAULIKUS HENGEREK



CILINDER 80/50	A [mm]	B [mm]	C [mm]	E [mm]	F [mm]	D (hod) [mm]	G	CENA
80/50-100	80	92	50	280	25	100	1/2"	
80/50-150	80	92	50	330	25	150	1/2"	
80/50-200	80	92	50	380	25	200	1/2"	
80/50-250	80	92	50	430	25	250	1/2"	
80/50-300	80	92	50	480	25	300	1/2"	
80/50-350	80	92	50	530	25	350	1/2"	
80/50-400	80	92	50	580	25	400	1/2"	
80/50-450	80	92	50	630	25	450	1/2"	
80/50-500	80	92	50	680	25	500	1/2"	
80/50-600	80	92	50	780	25	600	1/2"	
80/50-700	80	92	50	880	25	700	1/2"	
80/50-800	80	92	50	980	25	800	1/2"	
80/50-900	80	92	50	1080	25	900	1/2"	
80/50-1000	80	92	50	1180	25	1000	1/2"	

CILINDER 100/50	A [mm]	B [mm]	C [mm]	E [mm]	F [mm]	D (hod) [mm]	G	CENA
100/50-100	100	115	50	286	21	100	1/2"	
100/50-150	100	115	50	336	21	150	1/2"	
100/50-200	100	115	50	386	21	200	1/2"	
100/50-250	100	115	50	436	21	250	1/2"	
100/50-300	100	115	50	486	21	300	1/2"	
100/50-350	100	115	50	536	21	350	1/2"	
100/50-400	100	115	50	586	21	400	1/2"	
100/50-450	100	115	50	636	21	450	1/2"	
100/50-500	100	115	50	686	21	500	1/2"	
100/50-550	100	115	50	736	21	550	1/2"	
100/50-600	100	115	50	786	21	600	1/2"	
100/50-700	100	115	50	886	21	700	1/2"	
100/50-800	100	115	50	986	21	800	1/2"	
100/50-900	100	115	50	1086	21	900	1/2"	
100/50-1000	100	115	50	1186	21	1000	1/2"	
100/50-1100	100	115	50	1286	21	1100	1/2"	
100/50-1200	100	115	50	1386	21	1200	1/2"	
100/50-1300	100	115	50	1486	21	1300	1/2"	
100/50-1400	100	115	50	1586	21	1400	1/2"	
100/50-1500	100	115	50	1686	21	1500	1/2"	

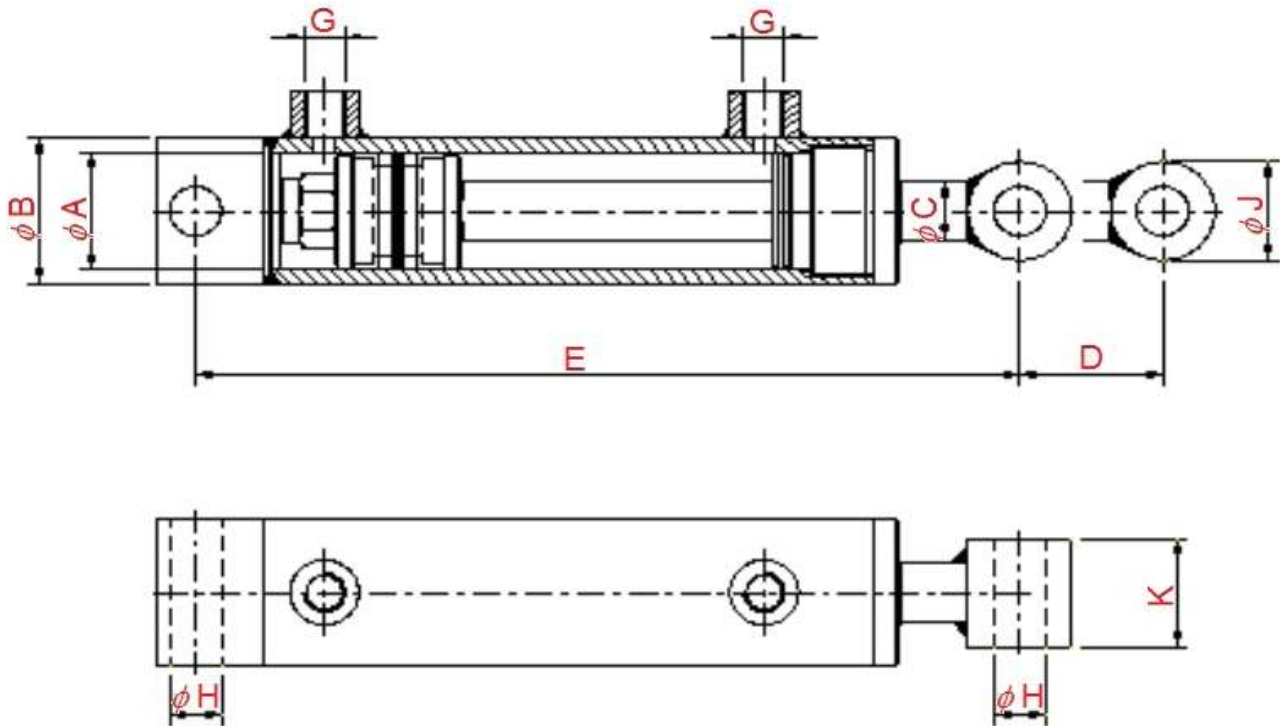


HOLE 40/25	A [mm]	B [mm]	C [mm]	J [mm]	H [mm]	K [mm]	E [mm]	D (hod) [mm]	G	CENA
40/25-100	40	50	25	35	20,5	40	270	100	3/8"	
40/25-150	40	50	25	35	20,5	40	320	150	3/8"	
40/25-200	40	50	25	35	20,5	40	370	200	3/8"	
40/25-250	40	50	25	35	20,5	40	420	250	3/8"	
40/25-300	40	50	25	35	20,5	40	470	300	3/8"	
40/25-350	40	50	25	35	20,5	40	520	350	3/8"	
40/25-400	40	50	25	35	20,5	40	570	400	3/8"	
40/25-450	40	50	25	35	20,5	40	620	450	3/8"	
40/25-500	40	50	25	35	20,5	40	670	500	3/8"	
40/25-550	40	50	25	35	20,5	40	720	550	3/8"	
40/25-600	40	50	25	35	20,5	40	770	600	3/8"	
40/25-700	40	50	25	35	20,5	40	870	700	3/8"	
40/25-800	40	50	25	35	20,5	40	970	800	3/8"	
40/25-900	40	50	25	35	20,5	40	1070	900	3/8"	
40/25-1000	40	50	25	35	20,5	40	1170	1000	3/8"	

HOLE 50/30	A [mm]	B [mm]	C [mm]	J [mm]	H [mm]	K [mm]	E [mm]	D (hod) [mm]	G	CENA
50/30-100	50	60	30	40	25,5	45	300	100	3/8"	
50/30-150	50	60	30	40	25,5	45	350	150	3/8"	
50/30-200	50	60	30	40	25,5	45	400	200	3/8"	
50/30-250	50	60	30	40	25,5	45	450	250	3/8"	
50/30-300	50	60	30	40	25,5	45	500	300	3/8"	
50/30-350	50	60	30	40	25,5	45	550	350	3/8"	
50/30-400	50	60	30	40	25,5	45	600	400	3/8"	
50/30-450	50	60	30	40	25,5	45	650	450	3/8"	
50/30-500	50	60	30	40	25,5	45	700	500	3/8"	
50/30-550	50	60	30	40	25,5	45	750	550	3/8"	
50/30-600	50	60	30	40	25,5	45	800	600	3/8"	
50/30-700	50	60	30	40	25,5	45	900	700	3/8"	
50/30-800	50	60	30	40	25,5	45	1000	800	3/8"	
50/30-900	50	60	30	40	25,5	45	1100	900	3/8"	
50/30-1000	50	60	30	40	25,5	45	1200	1000	3/8"	

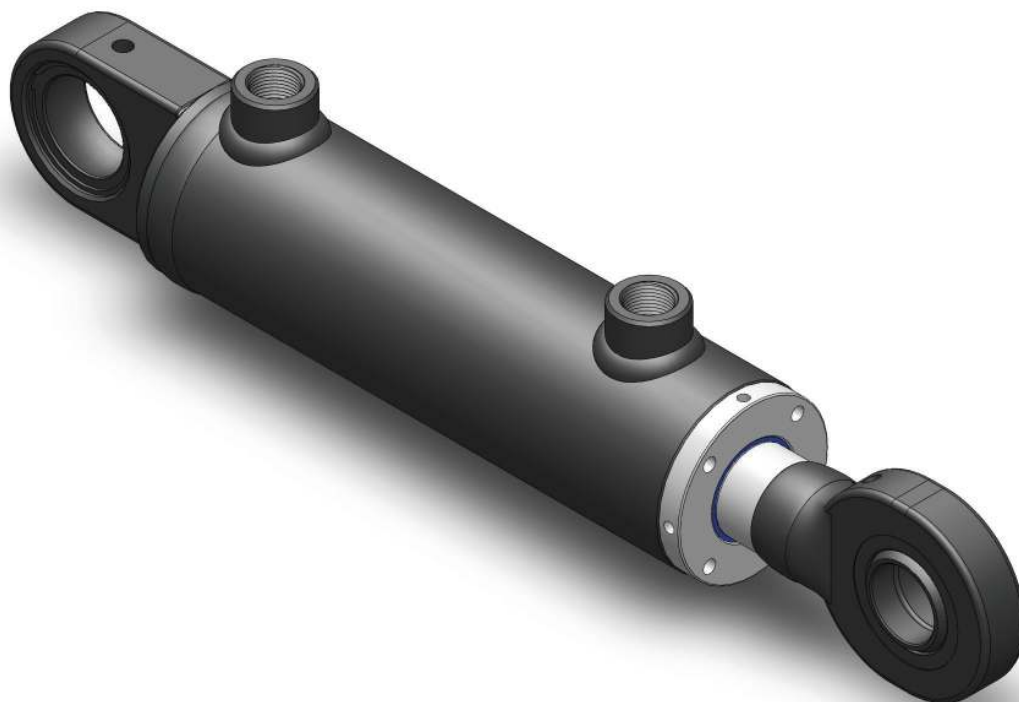
# HOLE HIDRAVLIČNI CILINDRI

HYDRAULIKZYLINDER HOLE - HYDRAULIC CYLINDER HOLE - HOLE HIDRAULIKUS HENGEREK



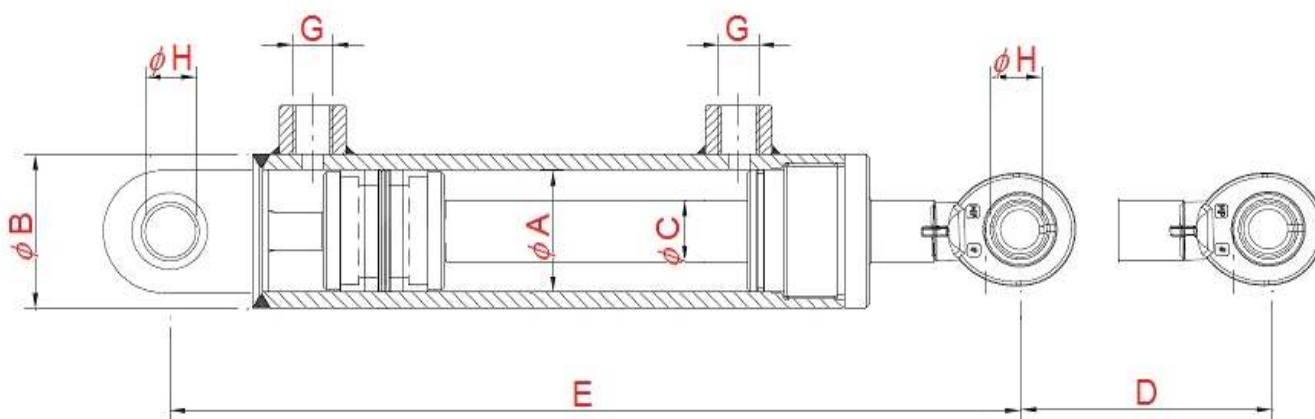
HOLE 70/40	A [mm]	B [mm]	C [mm]	J [mm]	H [mm]	K [mm]	E [mm]	D (hod) [mm]	G	CENA
70/40-100	70	80	40	50	30,5	55	310	100	3/8"	
70/40-150	70	80	40	50	30,5	55	360	150	3/8"	
70/40-200	70	80	40	50	30,5	55	410	200	3/8"	
70/40-250	70	80	40	50	30,5	55	460	250	3/8"	
70/40-300	70	80	40	50	30,5	55	510	300	3/8"	
70/40-350	70	80	40	50	30,5	55	560	350	3/8"	
70/40-400	70	80	40	50	30,5	55	610	400	3/8"	
70/40-450	70	80	40	50	30,5	55	660	450	3/8"	
70/40-500	70	80	40	50	30,5	55	710	500	3/8"	
70/40-600	70	80	40	50	30,5	55	810	600	3/8"	
70/40-700	70	80	40	50	30,5	55	910	700	3/8"	
70/40-800	70	80	40	50	30,5	55	1010	800	3/8"	
70/40-900	70	80	40	50	30,5	55	1110	900	3/8"	
70/40-1000	70	80	40	50	30,5	55	1210	1000	3/8"	

HOLE 80/40	A [mm]	B [mm]	C [mm]	J [mm]	H [mm]	K [mm]	E [mm]	D (hod) [mm]	G	CENA
80/40-100	80	92	40	50	30,5	55	310	100	1/2"	
80/40-150	80	92	40	50	30,5	55	360	150	1/2"	
80/40-200	80	92	40	50	30,5	55	410	200	1/2"	
80/40-250	80	92	40	50	30,5	55	460	250	1/2"	
80/40-300	80	92	40	50	30,5	55	510	300	1/2"	
80/40-350	80	92	40	50	30,5	55	560	350	1/2"	
80/40-400	80	92	40	50	30,5	55	610	400	1/2"	
80/40-450	80	92	40	50	30,5	55	660	450	1/2"	
80/40-500	80	92	40	50	30,5	55	710	500	1/2"	
80/40-600	80	92	40	50	30,5	55	810	600	1/2"	
80/40-700	80	92	40	50	30,5	55	910	700	1/2"	
80/40-800	80	92	40	50	30,5	55	1010	800	1/2"	
80/40-900	80	92	40	50	30,5	55	1110	900	1/2"	
80/40-1000	80	92	40	50	30,5	55	1210	1000	1/2"	



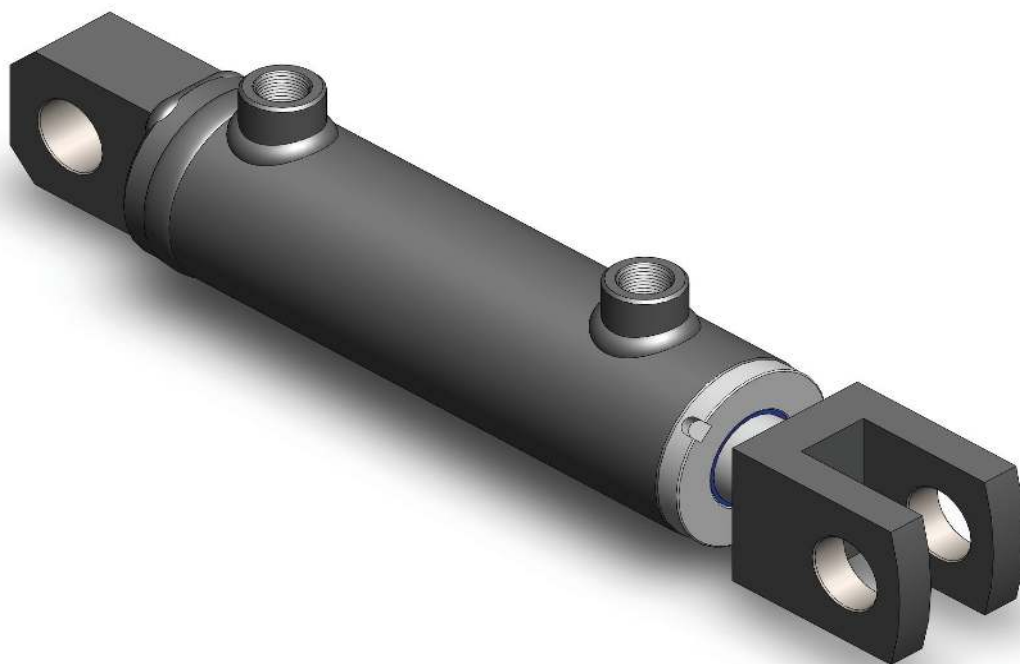
POINT 40/25	A [mm]	B [mm]	C [mm]	H [mm]	E [mm]	D (hod) [mm]	G	CENA
40/25-100	40	50	25	20	306	100	3/8"	
40/25-150	40	50	25	20	356	150	3/8"	
40/25-200	40	50	25	20	406	200	3/8"	
40/25-250	40	50	25	20	456	250	3/8"	
40/25-300	40	50	25	20	506	300	3/8"	
40/25-350	40	50	25	20	556	350	3/8"	
40/25-400	40	50	25	20	606	400	3/8"	
40/25-450	40	50	25	20	656	450	3/8"	
40/25-500	40	50	25	20	706	500	3/8"	
40/25-550	40	50	25	20	756	550	3/8"	
40/25-600	40	50	25	20	806	600	3/8"	
40/25-700	40	50	25	20	906	700	3/8"	
40/25-800	40	50	25	20	1006	800	3/8"	
40/25-900	40	50	25	20	1106	900	3/8"	
40/25-1000	40	50	25	20	1206	1000	3/8"	

POINT 50/30	A [mm]	B [mm]	C [mm]	H [mm]	E [mm]	D (hod) [mm]	G	CENA
50/30-100	50	60	30	25	330	100	3/8"	
50/30-150	50	60	30	25	380	150	3/8"	
50/30-200	50	60	30	25	430	200	3/8"	
50/30-250	50	60	30	25	480	250	3/8"	
50/30-300	50	60	30	25	530	300	3/8"	
50/30-350	50	60	30	25	580	350	3/8"	
50/30-400	50	60	30	25	630	400	3/8"	
50/30-450	50	60	30	25	680	450	3/8"	
50/30-500	50	60	30	25	730	500	3/8"	
50/30-550	50	60	30	25	780	550	3/8"	
50/30-600	50	60	30	25	830	600	3/8"	
50/30-700	50	60	30	25	930	700	3/8"	
50/30-800	50	60	30	25	1030	800	3/8"	
50/30-900	50	60	30	25	1130	900	3/8"	
50/30-1000	50	60	30	25	1230	1000	3/8"	



POINT 60/40	A [mm]	B [mm]	C [mm]	H [mm]	E [mm]	D (hod) [mm]	G	CENA
60/40-100	60	70	40	30	362	100	3/8"	
60/40-150	60	70	40	30	412	150	3/8"	
60/40-200	60	70	40	30	462	200	3/8"	
60/40-250	60	70	40	30	512	250	3/8"	
60/40-300	60	70	40	30	562	300	3/8"	
60/40-350	60	70	40	30	612	350	3/8"	
60/40-400	60	70	40	30	662	400	3/8"	
60/40-450	60	70	40	30	712	450	3/8"	
60/40-500	60	70	40	30	762	500	3/8"	
60/40-600	60	70	40	30	862	600	3/8"	
60/40-700	60	70	40	30	962	700	3/8"	
60/40-800	60	70	40	30	1062	800	3/8"	
60/40-900	60	70	40	30	1162	900	3/8"	
60/40-1000	60	70	40	30	1262	1000	3/8"	

POINT 80/40	A [mm]	B [mm]	C [mm]	H [mm]	E [mm]	D (hod) [mm]	G	CENA
80/40-100	80	92	40	35	397	100	1/2"	
80/40-150	80	92	40	35	447	150	1/2"	
80/40-200	80	92	40	35	497	200	1/2"	
80/40-250	80	92	40	35	547	250	1/2"	
80/40-300	80	92	40	35	597	300	1/2"	
80/40-350	80	92	40	35	647	350	1/2"	
80/40-400	80	92	40	35	697	400	1/2"	
80/40-450	80	92	40	35	747	450	1/2"	
80/40-500	80	92	40	35	797	500	1/2"	
80/40-600	80	92	40	35	897	600	1/2"	
80/40-700	80	92	40	35	997	700	1/2"	
80/40-800	80	92	40	35	1097	800	1/2"	
80/40-900	80	92	40	35	1197	900	1/2"	
80/40-1000	80	92	40	35	1297	1000	1/2"	

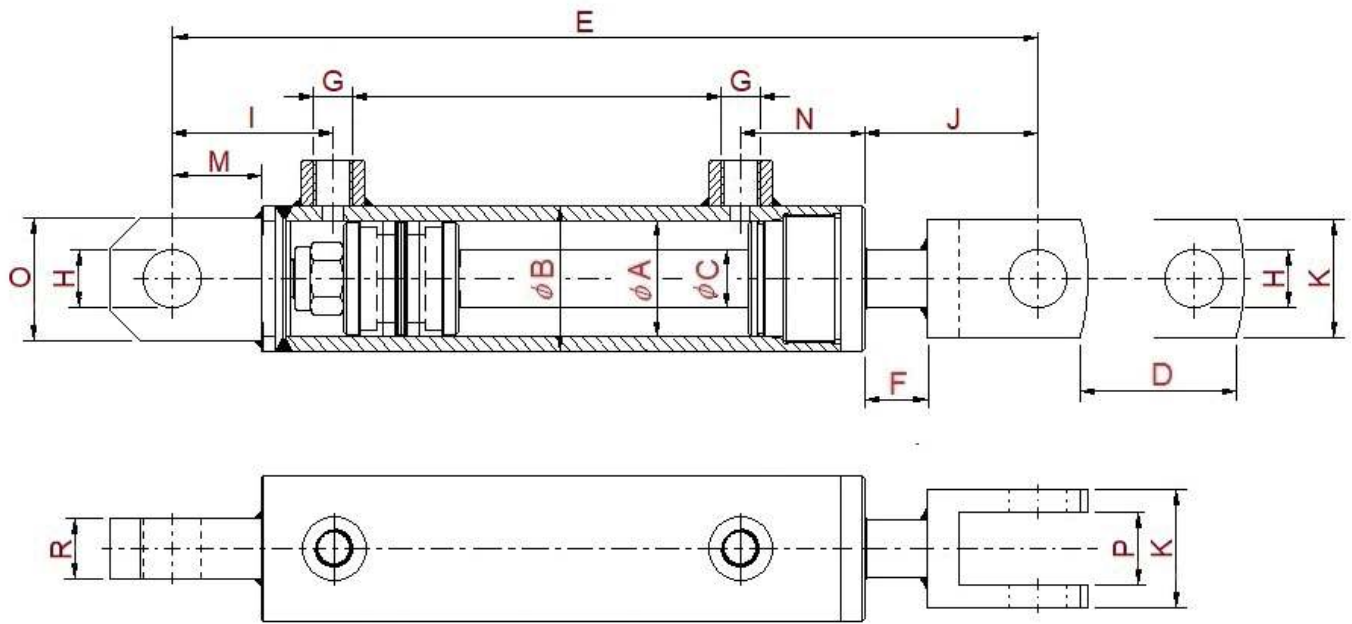


FORK 50/30	A [mm]	B [mm]	C [mm]	H [mm]	E [mm]	D (hod) [mm]	G	I [mm]
50/30-100	50	60	30	25	320	100	3/8"	70
50/30-150	50	60	30	25	370	150	3/8"	70
50/30-200	50	60	30	25	420	200	3/8"	70
50/30-250	50	60	30	25	470	250	3/8"	70
50/30-300	50	60	30	25	520	300	3/8"	70
50/30-350	50	60	30	25	570	350	3/8"	70
50/30-400	50	60	30	25	620	400	3/8"	70
50/30-450	50	60	30	25	670	450	3/8"	70
50/30-500	50	60	30	25	720	500	3/8"	70
50/30-550	50	60	30	25	770	550	3/8"	70
50/30-600	50	60	30	25	820	600	3/8"	70
50/30-700	50	60	30	25	920	700	3/8"	70
50/30-800	50	60	30	25	1020	800	3/8"	70
50/30-900	50	60	30	25	1120	900	3/8"	70
50/30-1000	50	60	30	25	1220	1000	3/8"	70

FORK 70/40	A [mm]	B [mm]	C [mm]	H [mm]	E [mm]	D (hod) [mm]	G	I [mm]
70/40-100	70	80	40	30	360	100	3/8"	86
70/40-150	70	80	40	30	410	150	3/8"	86
70/40-200	70	80	40	30	460	200	3/8"	86
70/40-250	70	80	40	30	510	250	3/8"	86
70/40-300	70	80	40	30	560	300	3/8"	86
70/40-350	70	80	40	30	610	350	3/8"	86
70/40-400	70	80	40	30	660	400	3/8"	86
70/40-450	70	80	40	30	710	450	3/8"	86
70/40-500	70	80	40	30	760	500	3/8"	86
70/40-550	70	80	40	30	810	550	3/8"	86
70/40-600	70	80	40	30	860	600	3/8"	86
70/40-700	70	80	40	30	960	700	3/8"	86
70/40-800	70	80	40	30	1060	800	3/8"	86
70/40-900	70	80	40	30	1160	900	3/8"	86
70/40-1000	70	80	40	30	1260	1000	3/8"	86

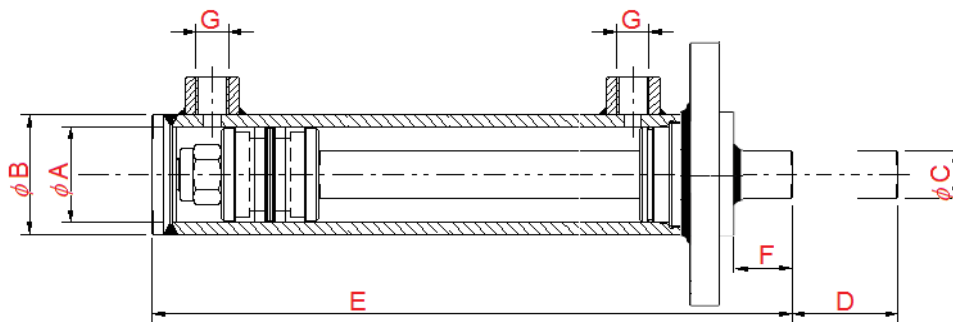
# FORK HIDRAVLIČNI CILINDRI

HYDRAULIKZYLINDER FORK - HYDRAULIC CYLINDER FORK - FORK HIDRAULIKUS HENGEREK



N [mm]	K [mm]	P [mm]	O [mm]	F [mm]	J [mm]	R [mm]	M [mm]	CENA
43	50	25	50	17	62	30	35	
43	50	25	50	17	62	30	35	
43	50	25	50	17	62	30	35	
43	50	25	50	17	62	30	35	
43	50	25	50	17	62	30	35	
43	50	25	50	17	62	30	35	
43	50	25	50	17	62	30	35	
43	50	25	50	17	62	30	35	
43	50	25	50	17	62	30	35	
43	50	25	50	17	62	30	35	
43	50	25	50	17	62	30	35	
43	50	25	50	17	62	30	35	
43	50	25	50	17	62	30	35	
43	50	25	50	17	62	30	35	
43	50	25	50	17	62	30	35	

N [mm]	K [mm]	P [mm]	O [mm]	F [mm]	J [mm]	R [mm]	M [mm]	CENA
51	60	30	60	28	78	35	45	
51	60	30	60	28	78	35	45	
51	60	30	60	28	78	35	45	
51	60	30	60	28	78	35	45	
51	60	30	60	28	78	35	45	
51	60	30	60	28	78	35	45	
51	60	30	60	28	78	35	45	
51	60	30	60	28	78	35	45	
51	60	30	60	28	78	35	45	
51	60	30	60	28	78	35	45	
51	60	30	60	28	78	35	45	
51	60	30	60	28	78	35	45	
51	60	30	60	28	78	35	45	
51	60	30	60	28	78	35	45	
51	60	30	60	28	78	35	45	



## Z OKROGLO PRIROBNICO

FLANGE 80/50	A [mm]	B [mm]	C [mm]	E [mm]	F [mm]	D (hod) [mm]	G	CENA
80/50-300	80	92	50	500	48	300	1/2"	
80/50-400	80	92	50	600	48	400	1/2"	
80/50-500	80	92	50	700	48	500	1/2"	
80/50-600	80	92	50	800	48	600	1/2"	
80/50-800	80	92	50	1000	48	800	1/2"	

## S KVADRATNO PRIROBNICO

M. PLOŠČA	A [mm]	B [mm]	C [mm]	E [mm]	F [mm]	D (hod) [mm]	G	CENA
100/60-1050	100	115	60	1250	48	1050	1/2"	
110/70-1100	110	125	70	1330	48	1100	1/2"	

# ZAVORNI HIDRAVLİČNI CILINDRI



## ZAVORNI CILINDER Z NOTRANJO VZMETJO 25/70 mm

ŠIFRA	HOD [mm]	PREMER BATNICE [mm]	CENA
10239	70	25	



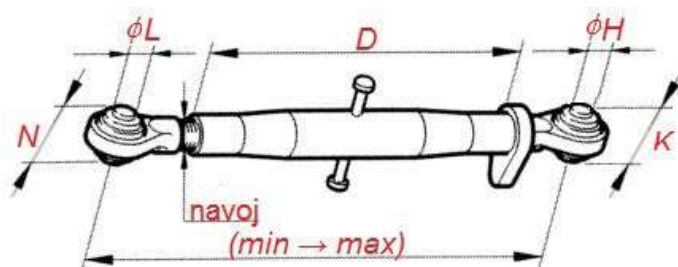
## ZAVORNI CILINDER Z NOTRANJO VZMETJO ROSI 95 mm

ŠIFRA	HOD [mm]	PREMER BATNICE [mm]	CENA
10483	95	25	



# NAVOJNE HIDRAVLIČNE POTEZNICE

HYDRAULIKOBERLENKER MIT GEWINDE - HYDRAULIC TOP LINK WITH SCREW THREAD - MENETES HIDRAULIKUS TENGELYKAPCSOLÓ



## NAVOJNE POTEZNICE STANDARD 1 - 1/2 - 2 - 3 KATEGORIJA

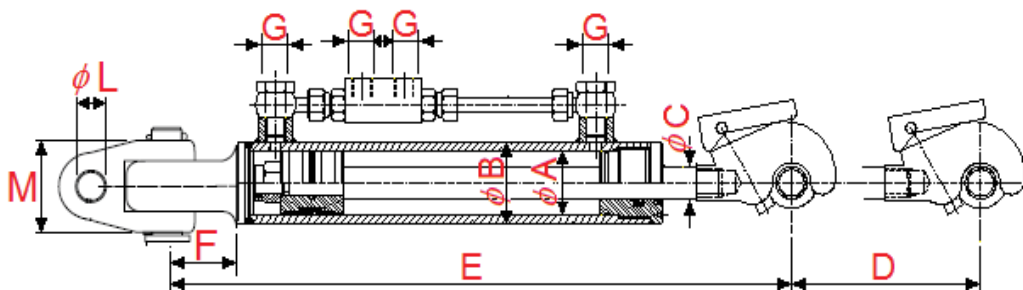
ŠIFRA	POTEZNICA	KATEGORIJA	L	H	N	K	NAVOJ	D	min	max
11190	KAT 1 M27X3 - 330/480	KAT 1	19,3		44		M27X3	220	330	480
11191	KAT 1 M27X3 - 420/620	KAT 1	19,3		44		M27X3	320	420	620
11192	KAT 1 M27X3 - 480/680	KAT 1	19,3		44		M27X3	370	480	680
11193	KAT 1 M27X3 - 540/740	KAT 1	19,3		44		M27X3	430	540	740
11194	KAT 1 M27X3 - 580/780	KAT 1	19,3		44		M27X3	470	580	780
11195	KAT 1 M27X3 - 680/880	KAT 1	19,3		44		M27X3	575	680	880
10363	KAT 1/2 M27X3 - 420/620	KAT 1/2	19,3	25,4	44	51	M27X3	320	420	620
10364	KAT 1/2 M27X3 - 480/680	KAT 1/2	19,3	25,4	44	51	M27X3	370	480	680
10365	KAT 1/2 M27X3 - 580/780	KAT 1/2	19,3	25,4	44	51	M27X3	470	580	780
11196	KAT 2 M30X3 - 420/600	KAT 2	25,4		51		M30X3	295	420	600
10366	KAT 2 M30X3 - 480/700	KAT 2	25,4		51		M30X3	360	480	700
10367	KAT 2 M30X3 - 540/760	KAT 2	25,4		51		M30X3	430	540	760
10368	KAT 2 M30X3 - 590/810	KAT 2	25,4		51		M30X3	470	590	810
10369	KAT 2 M30X3 - 650/870	KAT 2	25,4		51		M30X3	530	650	870
10370	KAT 2 M30X3 - 680/900	KAT 2	25,4		51		M30X3	560	680	900
11197	KAT 2 M30X3 - 730/950	KAT 2	25,4		51		M30X3	610	730	950
11198	KAT 2 M30X3 - 850/1070	KAT 2	25,4		51		M30X3	730	850	1070
11199	KAT 3 M40X3 - 650/790	KAT 3	32		51		M40X3	500	650	790
11200	KAT 3 M40X3 - 770/1090	KAT 3	32		51		M40X3	620	770	1090

## NAVOJNE POTEZNICE STANDARD ECO 1 - 1/2 - 2 KATEGORIJA

100495	KAT 1 M27X3 - 570/730 ECO	KAT 1	19,3		40		M27X3	470	570	730
100497	KAT 1/2 M27X3 - 650/850 ECO	KAT 1/2	19,3	25,4	40	50	M27X3	530	650	850
100496	KAT 2 M27X3 - 680/900 ECO	KAT 2	25,4		50		M27X3	560	680	900

## SPECIAL HIDRAVLIČNE POTEZNICE

HYDRAULIKOBERLENKER SPECIAL - HYDRAULIC TOP LINK SPECIAL - SPECIÁLIS HIDRAULIKUS TENGELYKAPCSOLÓ

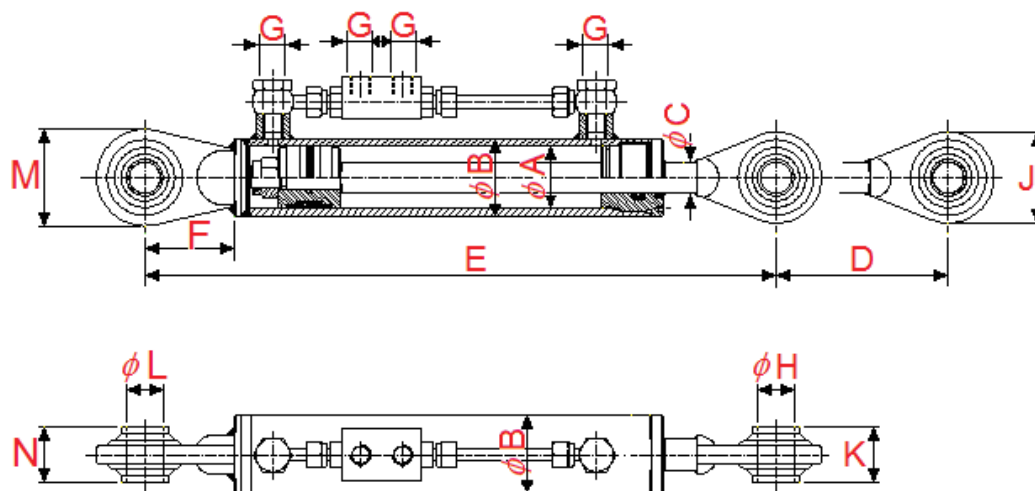


### HID. POTEZNICA SPECIAL 2 KAT. (LUKNJE 25,4 mm) ZA TRAKTORJE 45 → 95 HP

[mm]	A	B	C	M	L	E	F	D (hod)	G	CENA
63/35-210	63	73	35	85X51	25,4	585→795	45	210	3/8"	
63/35-280	80	92	40	85X51	25,4	655→935	45	280	3/8"	

### HID. POTEZNICA SPECIAL 3 KAT. (LUKNJE 25,4 mm) ZA TRAKTORJE 95 HP →

[mm]	A	B	C	M	L	E	F	D (hod)	G	CENA
80/40-210	80	92	40	85X51	32,4	635→845	50	210	3/8"	
80/40-280	80	92	40	85X51	32,4	700→980	50	280	3/8"	

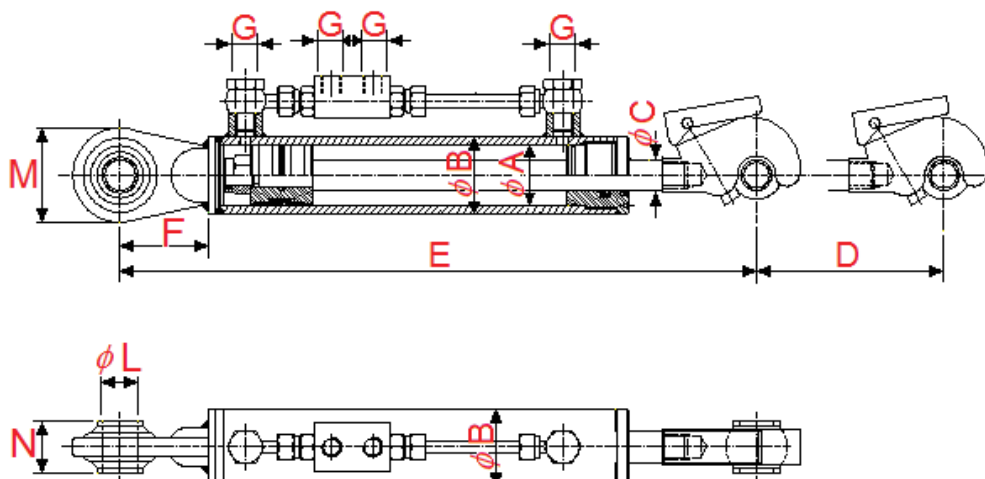


HID. POTEZNICA STANDARD 1 KATEGORIJE (LUKNJE 19,2 mm) ZA TRAKTORJE 20 → 55 HP											
[mm]	A	B	C	J = M	K = N	H = L	E	F	D (hod)	G	CENA
50/30-160	50	60	30	62	44	19,2	410→570	62	160	3/8"	
50/30-210	50	60	30	62	44	19,2	460→670	62	210	3/8"	
50/30-280	50	60	30	62	44	19,2	530→810	62	280	3/8"	
50/30-400	50	60	30	62	44	19,2	650→1050	62	400	3/8"	

HID. POTEZNICA STANDARD 1 KATEGORIJE (LUKNJE 25,4 mm) ZA TRAKTORJE 20 → 55 HP											
[mm]	A	B	C	J = M	K = N	H = L	E	F	D (hod)	G	CENA
50/30-160	50	60	30	75	51	25,4	430→590	65	160	3/8"	
50/30-210	50	60	30	75	51	25,4	480→690	65	210	3/8"	
50/30-280	50	60	30	75	51	25,4	550→830	65	280	3/8"	
50/30-400	50	60	30	75	51	25,4	670→1070	65	400	3/8"	

HID. POTEZNICA STANDARD 1/2 KAT. (LUKNJE 19,2/ 25,4 mm) ZA TRAKTORJE 45 → 95 HP														
[mm]	A	B	C	J	H	K	M	L	N	E	F	D (hod)	G	CENA
63/35-160	63	73	35	75	25,4	51	62	19,2	44	450→610	62	160	3/8"	
63/35-210	63	73	35	75	25,4	51	62	19,2	44	500→710	62	210	3/8"	
63/35-280	63	73	35	75	25,4	51	62	19,2	44	570→850	62	280	3/8"	
63/35-400	63	73	35	75	25,4	51	62	19,2	44	690→1090	62	400	3/8"	

HID. POTEZNICA STANDARD 2 KATEGORIJE (LUKNJE 25,4 mm) ZA TRAKTORJE 45 → 95 HP											
[mm]	A	B	C	J = M	K = N	H = L	E	F	D (hod)	G	CENA
63/35-160	63	73	35	75	51	25,4	450→610	65	160	3/8"	
63/35-210	63	73	35	75	51	25,4	500→710	65	210	3/8"	
63/35-280	63	73	35	75	51	25,4	570→850	65	280	3/8"	
63/35-400	63	73	35	75	51	25,4	690→1090	65	400	3/8"	



## HID. POTEZNICA AVTOMATSKA 1 KAT. (LUKNJE 19,2 mm) ZA TRAKTORJE 20 → 55 HP

[mm]	A	B	C	M	L	N	E	F	D (hod)	G	CENA
50/30-160	50	60	30	62	19,2	44	455→615	62	160	3/8"	
50/30-210	50	60	30	62	19,2	44	505→715	62	210	3/8"	
50/30-280	50	60	30	62	19,2	44	575→855	62	280	3/8"	
50/30-400	50	60	30	62	19,2	44	695→1095	62	400	3/8"	

1. KATEGORIJA 20 → 55 HP  
 2. KATEGORIJA 45 → 95 HP  
 3. KATEGORIJA 95 HP →

## HID. POTEZNICA AVTOMATSKA 2 KAT. (LUKNJE 25,4 mm) ZA TRAKTORJE 45 → 95 HP

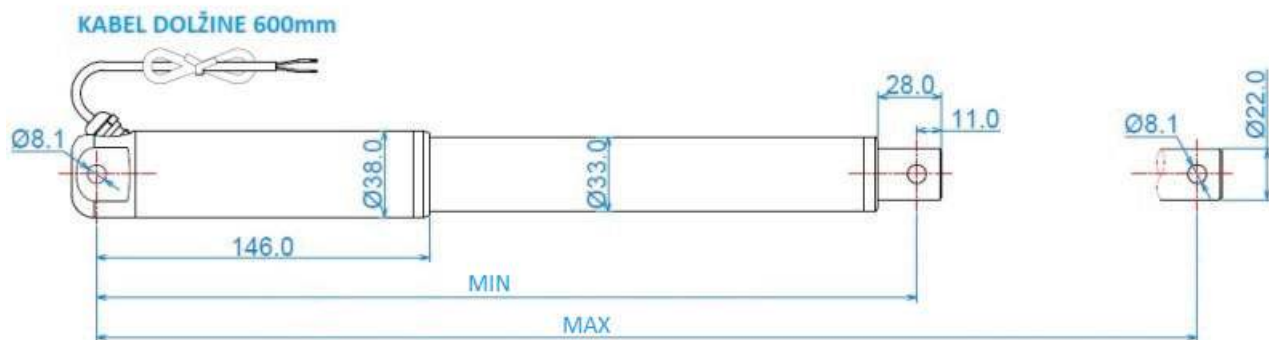
[mm]	A	B	C	M	L	N	E	F	D (hod)	G	CENA
63/35-160	63	73	35	75	25,4	51	480→640	65	160	3/8"	
63/35-210	63	73	35	75	25,4	51	530→740	65	210	3/8"	
63/35-280	63	73	35	75	25,4	51	600→880	65	280	3/8"	
63/35-400	63	73	35	75	25,4	51	720→1120	65	400	3/8"	

## HID. POTEZNICA AVTOMATSKA 3 KAT. (LUKNJE 25,4 mm) ZA TRAKTORJE 95 HP →

[mm]	A	B	C	M	L	N	E	F	D (hod)	G	CENA
80/40-210	80	92	40	85	25,4	51	575→785	72	210	3/8"	
80/40-280	80	92	40	85	25,4	51	645→925	72	280	3/8"	

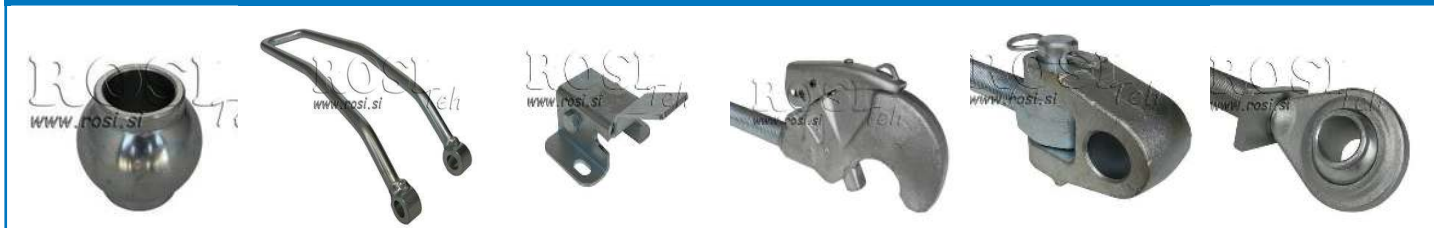
## HID. POTEZNICA AVTOMATSKA 3 KAT. (LUKNJE 32,4 mm) ZA TRAKTORJE 95 HP →

[mm]	A	B	C	M	L	N	E	F	D (hod)	G	CENA
80/40-210	80	92	40	85	32,4	51	585→795	65	210	3/8"	
80/40-280	80	92	40	85	32,4	51	655→935	65	280	3/8"	



ŠIFRA	EL. CILINDER	HOD [mm]	SILA [N]	HITROST [mm/sek]	MIN [mm]	MAX [mm]	NAPETOST [V]	IP ZAŠČITA
12338	80 kg - 100 mm	100	800	12	310	410	12	IP66
12339	80 kg - 200 mm	200	800	12	410	610	12	IP66
12340	80 kg - 300 mm	300	800	12	510	810	12	IP66
12341	80 kg - 400 mm	400	800	12	610	1010	12	IP66
12342	80 kg - 500 mm	500	800	12	710	1210	12	IP66
12343	80 kg - 600 mm	600	800	12	810	1410	12	IP66
12344	100 kg - 100 mm	100	1000	9	310	410	12	IP66
12345	100 kg - 200 mm	200	1000	9	410	610	12	IP66
12346	100 kg - 300 mm	300	1000	9	510	810	12	IP66
12347	100 kg - 400 mm	400	1000	9	610	1010	12	IP66
12348	100 kg - 500 mm	500	1000	9	710	1210	12	IP66
12349	100 kg - 600 mm	600	1000	9	810	1410	12	IP66
12350	150 kg - 100 mm	100	1500	5	310	410	12	IP66
12351	150 kg - 200 mm	200	1500	5	410	610	12	IP66
12352	150 kg - 300 mm	300	1500	5	510	810	12	IP66
12353	150 kg - 400 mm	400	1500	5	610	1010	12	IP66
12354	150 kg - 500 mm	500	1500	5	710	1210	12	IP66
12355	150 kg - 600 mm	600	1500	5	810	1410	12	IP66

## OPREMA ZA POTEZNICE



## OPREMA ZA POTEZNICE



## SPONE



## DVIŽNE POTEZNICE



## TRI TOČKOVNI PRIKLOP



## OSTALI CILINDRI



## DVIGALKE



## OPREMA ZA CILINDRE



## ZOBNIŠKE HIDRAVLICNE ČRPALKE GR "1" PRIROBNICE - DESNA IN LEVA



PRETOK [cc]	DELILNI KROG VIJAKOV - SESALNA PRIROBNICA [mm]	DELILNI KROG VIJAKOV - TLAČNA PRIROBNICA [mm]	MAX KONSTANTNI TLAK [bar]	MAX TRENUTNI TLAK [bar]	MAX VRTLJAJI [vrt/min]
1,6	30	30	250	300	6000
2,7	30	30	250	300	6000
3,7	30	30	250	300	5000
4,8	30	30	200	250	4000
5,8	30	30	200	250	3500
6,3	30	30	200	250	2900
8	30	30	200	250	2100

## ZOBNIŠKE HIDRAVLICNE ČRPALKE GR "1" NAVOJNA - DESNA IN LEVA

PRETOK [cc]	NAVOJ SESALNI	NAVOJ TLAČNI	MAX KONSTANTNI TLAK [BAR]	MAX TRENUTNI TLAK [BAR]	MAX VRTLJAJI [vrt/min]
1,6	3/8" BSP	3/8" BSP	250	300	6000
2,7	3/8" BSP	3/8" BSP	250	300	6000
3,7	3/8" BSP	3/8" BSP	250	300	5000
4,8	3/8" BSP	3/8" BSP	200	250	4000
5,8	1/2" BSP	3/8" BSP	200	250	3500
6,3	1/2" BSP	3/8" BSP	200	250	2900
8	1/2" BSP	3/8" BSP	200	250	2100



## ZOBNIŠKE HIDRAVLICNE ČRPALKE GR "2" PRIROBNICE - DESNA IN LEVA

PRETOK [cc]	DELILNI KROG VIJAKOV - SESALNA PRIROBNICA [mm]	DELILNI KROG VIJAKOV - TLAČNA PRIROBNICA [mm]	MAX KONSTANTNI TLAK [bar]	MAX TRENUTNI TLAK [bar]	MAX VRTLJAJI [vrt/min]
6	30	30	250	300	3500
8	30	30	250	300	3500
12	30	30	250	300	3500
16	40	30	200	280	3500
20	40	30	200	280	3500
25	40	30	200	250	3000
28	40	30	160	200	3000
30	40	30	160	200	3000



## ZOBNIŠKE HIDRAVLICNE ČRPALKE GR "1" NAVOJNA - DESNA IN LEVA

PRETOK [cc]	NAVOJ SESALNI	NAVOJ TLAČNI	MAX KONSTANTNI TLAK [BAR]	MAX TRENUTNI TLAK [BAR]	MAX VRTLJAJI [vrt/min]
6	1/2" BSP	1/2" BSP	250	300	3500
8	1/2" BSP	1/2" BSP	250	300	3500
12	1/2" BSP	1/2" BSP	250	300	3500
16	3/4" BSP	1/2" BSP	200	300	3500
20	3/4" BSP	1/2" BSP	200	300	3500
25	3/4" BSP	1/2" BSP	200	250	3000
28	3/4" BSP	1/2" BSP	160	200	3000
30	3/4" BSP	1/2" BSP	160	200	3000





## ZOBNIŠKE HIDRAVLIČNE ČRPALKE GR "3" PRIROBNICE - DESNA IN LEVA

PRETOK [cc]	DELILNI KROG VIJAKOV - SESALNA PRIROBNICA [mm]	DELILNI KROG VIJAKOV - TLAČNA PRIROBNICA [mm]	MAX KONSTANTNI TLAK [bar]	MAX TRENUTNI TLAK [bar]	MAX VRTLJAJI [vrt/min]
34	50	40	200	250	3000
39	50	40	200	250	3000
43	50	40	200	250	2800
46	50	40	200	250	2400
51	50	40	200	250	2400
55	50	40	200	250	2400

## ZOBNIŠKE HIDRAVLIČNE ČRPALKE GR "3" NAVOJNA - DESNA IN LEVA

PRETOK [cc]	NAVOJ SESALNI	NAVOJ TLAČNI	MAX KONSTANTNI TLAK [bar]	MAX TRENUTNI TLAK [bar]	MAX VRTLJAJI [vrt/min]
34	1" BSP	3/4" BSP	200	250	3000
39	1" BSP	3/4" BSP	200	250	3000
43	1" BSP	3/4" BSP	200	250	2800
46	1" BSP	3/4" BSP	200	250	2400
51	1" BSP	3/4" BSP	200	250	2400
55	1" BSP	3/4" BSP	200	250	2400



## MULTIPLIKATORJI

ÜBERSETZUNGSGETRIEBE - PUMPS OVERDRIVE - SZORZÓK



ŠIFRA	VELIKOST	KARDANSKI PRIKLOP	PRESTAVNO RAZMERJE	MOČ [kW]
10262	GR "2"	MOŠKI	1:3,8	13
10263	GR "2"	ŽENSKI	1:3,8	13
10718	GR "2"	MOŠKI	1:3	13
10719	GR "2"	ŽENSKI	1:3	13
10129	ZOBNIK GR "2" 14 ZOB			



ŠIFRA	VELIKOST	KARDANSKI PRIKLOP	PRESTAVNO RAZMERJE	MOČ [kW]
10131	GR "3"	MOŠKI	1:3,8	17
10132	GR "3"	ŽENSKI	1:3,8	17
10553	ZOBNIK GR "3" 18 ZOB			



### OPOMBE:

- V MULTIPLIKATOR JE POTREBNO NALITI REDUKTORSKO OLJE SAE-90 PO PRILOŽENIH NAVODILIH !
- NA STRANI ČRPALKE JE DOVOLJENO MAKSIMALNO 3000 vrt/min !



## HID. LITOŽELEZNE ČRPALKE - KARDAN ŽENSKI

PRETOK [cc]	NAVOJ SESALNI	NAVOJ TLAČNI	MAX KONSTANTNI TLAK [bar]	MAX TLAK S PREKINITVAMI [bar] (20 sek. max)	MAX TRENUTNI TLAK [bar] (6 sek. max)	MAX VRT KONSTANTNI / TRENUTNI [vrt/min]
43	3/4"	3/4"	280	290	300	2100 / 2600
61	1"	3/4"	225	240	260	2000 / 2100
82	1 1/4"	1"	200	210	220	1600 / 1900
100	1 1/4"	1"	190	200	220	1600 / 1900
125	1 1/4"	1"	170	190	200	1600 / 1900

SMER VR TENJA: LEVA MIN VRTLJAJI : 300 vrt/min

## HID. LITOŽELEZNE ČRPALKE - KARDAN MOŠKI

PRETOK [cc]	NAVOJ SESALNI	NAVOJ TLAČNI	MAX KONSTANTNI TLAK [bar]	MAX TLAK S PREKINITVAMI [bar] (20 sek. max)	MAX TRENUTNI TLAK [bar] (6 sek. max)	MAX VRT KONSTANTNI / TRENUTNI [vrt/min]
43	3/4"	3/4"	280	290	300	2100 / 2600
61	1"	3/4"	225	240	260	2000 / 2100
82	1 1/4"	1"	200	210	220	1700 / 1900
109	1 1/4"	1"	240	260	285	1800 / 2800
151	1 1/2"	1"	180	200	230	1500 / 2500

SMER VR TENJA: LEVA MIN VRTLJAJI : 300 vrt/min



## HID. LITOŽELEZNE ČRPALKE - STANDARD UNI

PRETOK [cc]	NAVOJ SESALNI	NAVOJ TLAČNI	MAX KONSTANTNI TLAK [bar]	MAX TLAK S PREKINITVAMI [bar] (20 sek. max)	MAX TRENUTNI TLAK [bar] (6 sek. max)	MAX VRT KONSTANTNI / TRENUTNI [vrt/min]
43	3/4"	3/4"	280	290	300	2100 / 2600
61	1"	3/4"	225	240	260	2000 / 2100
82	1 1/4"	1"	200	210	220	1700 / 1900
109	1 1/4"	1"	240	260	285	1800 / 2800
151	1 1/2"	1"	180	200	230	1500 / 2500

SMER VR TENJA: LEVA MIN VRTLJAJI : 300 vrt/min



KARDANSKI NASTAVEK ZA UNI LITOŽELEZNO ČRPALKO MOŠKI - 3 VIJAKI



KARDANSKI NASTAVEK ZA UNI LITOŽELEZNO ČRPALKO ŽENSKI - 3 VIJAKI



KARDANSKI NASTAVEK ZA BATNO ČRPALKO TRUCK/PTO



# LITOŽELEZNE HIDRAVLIČNE ČRPALKE

GUSSEISEN HYDRAULIKPUMPEN - CAST IRON HYDRAULIC PUMPS - ÖNTÖTVAS HIDRAULIKUS SZIVATTYUK



HID. LITOŽELEZNE BATNE ČRPALKE							
PRETOK [cc]	NAVOJ SESALNI	NAVOJ TLAČNI	MAX KONSTANTNI TLAK [bar]	MAX TLAK S PREKINITVAMI [bar] (20 sek. max)	MAX TRENUTNI TLAK [bar] (6 sek. max)	MAX VRT KONSTANTNI [vrt/min]	ŠT. BATOV
42	1 1/4"	1"	350	370	400	1800	8
60	1 1/4"	1"	270	285	300	1500	9
80	1 1/4"	1"	270	285	300	1500	9
100	1 1/4"	1"	300	320	350	1500	10

SMER VRTENJA: OBOJESTRANSKO MIN VRTLJAJI : 300 vrt/min

HID. LITOŽELEZNE ČRPALKE BANANA					
PRETOK [cc]	NAVOJ SESALNI	NAVOJ TLAČNI	MAX KONSTANTNI TLAK [bar]	MAX TRENUTNI TLAK [bar]	MAX VRT KONSTANTNI [vrt/min]
45	1"	3/4"	300	350	2550
65	1"	1"	300	350	2300
82	1 1/4"	1 1/4"	300	350	2130
107	1 1/4"	1 1/4"	300	350	1850
125	1 1/4"	1 1/4"	250	300	1790

SMER VRTENJA: OBOJESTRANSKO MIN VRTLJAJI : 300 vrt/min



# ROČNE HIDRAVLIČNE ČRPALKE

HYDRAULIKHANDPUMPEN - HAND PUMPS - KÉZI HIDRAULIKUS SZIVATTYUK



ROČNE HIDRAVLIČNE ČRPALKE			
ŠIFRA	PRETOK [cc]	TIP	MAX TLAK [bar]
10687	12	ENOSMERNA	320
11106	12	DVOSMERNA	320
10126	25	ENOSMERNA	250
10319	25	DVOSMERNA	250
10560	45	ENOSMERNA	160
10561	45	DVOSMERNA	160

REZERVOAR ZA ROČNO HIDRAVLIČNO ČRPALKO		
ŠIFRA	PROSTORNINA [l]	DIMENZIJE [mm]
10682	1	100x150x135
10683	2	100x170x170
10317	3	100x150x260
10318	5	175x175x210
10677	7	175x175x290
10684	10	175x175x380

## OSTALE HIDRAVLICNE ČRPALKE



## NSZ HIDRAVLICNE ČRPALKE

## NSZ HIDRAVLICNE ČRPALKE IN OPREMA



## TRAKTORSKE ČRPALKE





STRANSKI PRIKLOP



HRBTNI PRIKLOP

HIDROMOTORJI MM							
TEHNIČNI PODATKI	TIP OBREMENITVE	MM 8	MM 12,5	MM 20	MM 32	MM 40	MM 50
cm <sup>3</sup> /vrtljaj		8,2	12,9	20	32	40	50
MAX VRTLJAJI [rpm]	KONSTANTNA	1950	1550	1000	630	500	400
	S PREKINITVAMI	2440	1940	1250	790	625	500
MAX NAVOR [Nm]	KONSTANTNA	1,1	1,6	2,5	4,0	4,1	4,5
	S PREKINITVAMI	1,5	2,3	3,5	5,7	5,7	5,8
	KONICA	2,1	3,3	5,1	6,4	6,6	8
MAX MOČ [kW]	KONSTANTNA	1,8	2,4	2,4	2,4	1,8	1,7
	S PREKINITVAMI	2,6	3,2	3,2	3,2	3,0	2,1
MAX TLAK [bar]	KONSTANTNA	105	105	105	105	82,5	70
	S PREKINITVAMI	140	140	140	140	110	90
	KONICA	200	200	200	200	140	125
MAX PRETOK [lit/min]	KONSTANTNA	16	20	20	20	20	20
	S PREKINITVAMI	20	25	25	25	25	25
PRIKLJUČNI NAVOJ		3/8"	3/8"	3/8"	3/8"	3/8"	3/8"
TEŽA [kg]		1,9	2,0	2,1	2,2	2,3	2,5

HIDROMOTORJI MP											
TEHNIČNI PODATKI	TIP OBREMENITVE	MP 40	MP 50	MP 80	MP 100	MP 125	MP 160	MP 200	MP 250	MP 315	MP 400
cm <sup>3</sup> /vrtljaj		40	49,5	79,2	99	123,8	158,4	198	247,5	316,8	396
MAX VRTLJAJI [rpm]	KONSTANTNA	1500	1210	755	605	486	378	303	242	190	150
	S PREKINITVAMI	1750	1515	945	755	605	472	378	303	236	189
MAX NAVOR [Nm]	KONSTANTNA	6,2	9,4	15,1	19,3	23,7	31,3	36,6	38	38	36
	S PREKINITVAMI	8,2	11,9	19,5	23,7	29,8	37,8	45,6	58,3	56	59
	KONICA	10,7	14,3	22,4	27,5	36,5	43,8	55	68,5	85	85,4
MAX MOČ [kW]	KONSTANTNA	8,4	10,1	10,2	10,5	10,2	10,1	10	7,5	5,8	4,6
	S PREKINITVAMI	11,6	11,2	12,5	12,8	12	12,1	12	12	9	7,8
MAX TLAK [bar]	KONSTANTNA	120	140	140	140	140	140	135	110	90	70
	S PREKINITVAMI	155	175	175	175	175	175	160	160	140	115
	KONICA	225	225	225	225	225	225	225	225	225	180
MAX PRETOK [lit/min]	KONSTANTNA	60	60	60	60	60	60	60	60	60	60
	S PREKINITVAMI	75	75	75	75	75	75	75	75	75	75
PRIKLJUČNI NAVOJ		1/2"	1/2"	1/2"	1/2"	1/2"	1/2"	1/2"	1/2"	1/2"	1/2"
TEŽA [kg]		5,7	5,8	5,9	6,1	6,2	6,4	6,6	6,8	7,1	7,6

OBSTAJA IZVEDBA S 6 ZOBİ - SPODNJA SLIKA



## PRIROBNICE - NOSILCI ZA HIDROMOTORJE



ZA MM HIDROMOTORJE

ZA MP/MR HIDROMOTORJE

## HIDROMOTOR MS 80 - KARDAN



# HIDROMOTORJI

HYDROMOTOR - HYDRAULIC MOTORS - HIDRAULIKUS MOTOROK



HIDROMOTORJI MR										
TEHNIČNI PODATKI	TIP OBREMENITVE	MR 50	MR 80	MR 100	MR 125	MR 160	MR 200	MR 250	MR 315	MR 400
cm <sup>3</sup> /vrtljaj		51,5	80,3	99,8	125,7	159,6	199,8	250,1	315,7	397
MAX VRTLJAJI [rpm]	KONSTANTNA	775	750	600	475	375	300	240	190	150
	S PREKINITVAMI	970	940	750	600	470	375	300	240	190
MAX NAVOR [Nm]	KONSTANTNA	10	20	24	30	39	38,5	39	36	38
	S PREKINITVAMI	13	22	28	34	43	46	47	47	47
	KONICA	17	27	32	37	46	56	60	61	61
MAX MOČ [kW]	KONSTANTNA	7	12,5	13	12,5	11,5	9	8	5	4,8
	S PREKINITVAMI	8,5	15	15	14,5	14	12	9,5	8	6,8
MAX TLAK [bar]	KONSTANTNA	140	175	175	175	175	175	140	85	65
	S PREKINITVAMI	175	200	200	200	200	200	175	115	90
	KONICA	225	225	225	225	225	225	225	150	115
MAX PRETOK [lit/min]	KONSTANTNA	60	60	60	60	60	60	60	60	60
	S PREKINITVAMI	75	75	75	75	75	75	75	75	75
PRIKLJUČNI NAVOJ		1/2"	1/2"	1/2"	1/2"	1/2"	1/2"	1/2"	1/2"	1/2"
TEŽA [kg]		6,8	6,9	7,2	7,3	7,5	8	8,4	9,1	9,8

HIDROMOTORJI MS										
TEHNIČNI PODATKI	TIP OBREMENITVE	MS 80	MS 100	MS 125	MS 160	MS 200	MS 250	MS 315	MS 400	
cm <sup>3</sup> /vrtljaj		80,5	100	125,7	159,7	200	250	314,9	397	
MAX VRTLJAJI [rpm]	KONSTANTNA	810	750	600	640	375	300	240	185	
	S PREKINITVAMI	1000	900	720	560	450	360	285	225	
MAX NAVOR [Nm]	KONSTANTNA	20	25	32	34	40	45	54	58	
	S PREKINITVAMI	24	30	38	48	50	54	63	69	
	KONICA	26	32	40	51	65	69	84	85	
MAX MOČ [kW]	KONSTANTNA	16	17,5	17,5	15,5	14	12,5	11,5	10	
	S PREKINITVAMI	19	21	21	21	17,5	15	13,5	13	
MAX TLAK [bar]	KONSTANTNA	175	175	175	175	140	125	120	100	
	S PREKINITVAMI	210	210	210	210	175	155	140	120	
	KONICA	225	225	225	225	225	200	185	140	
MAX PRETOK [lit/min]	KONSTANTNA	65	75	75	75	75	75	75	75	
	S PREKINITVAMI	80	90	90	90	90	90	90	90	
PRIKLJUČNI NAVOJ		1/2"	1/2"	1/2"	1/2"	1/2"	1/2"	1/2"	1/2"	
TEŽA [kg]		9,8	10,0	10,3	10,7	11,1	11,6	12,3	13,2	



## MULTIPLIKATORJI ZA HIDROMOTORJE



## HID. VENTILI P40 S PRETOKOM 40lit/min (OD 1 DO 7 SEGMENTOV)



1xP40 >> 7xP40

## HID. VENTILI P80 S PRETOKOM 80 lit/min (OD 1 DO 6 SEGMENTOV)



1xP80 >> 6xP80

## HID. VENTILI P120 S PRETOKOM 120 lit/min (OD 1 DO 4 SEGMENTOV)



1xP120 >> 4xP120

MAX TLAK NAPRIKLJUČEK "P"	250 bar
MAX TLAK NA PRIKLJUČEK "T"	50 bar
MAX TLAK NA PRIKLJUČEK "A" IN "B"	300 bar
DELOVNA TEMPERATURA	-40 do +60°C
DELOVNA TEMPERATURA OLJA	-15 do +80°C
TOVARNIŠKO NASTAVLJEN VARNOSTNI VENTIL	180 bar
OBMOČJE NASTAVITVE VARNOSTNEGA VENTILA	50-230 bar
PODATKI VELJAJO ZA VENTILE P40, P80, P120	

## HID. SESTAVLJIVI VENTILI PC70 S PRETOKOM 70 lit/min (OD 1 DO 8 SEGMENTOV)



1xPC70 >> 8xPC70

## HID. SESTAVLJIVI VENTILI PC100 S PRETOKOM 100 lit/min (OD 1 DO 11 SEGMENTOV)



1xPC100 >> 11xPC100

## RAZŠIRITVENI HIDRAVLIČNI VENTIL



## JOYSTIC IN HIDRAVLIČNI VENTIL S PLETENICO



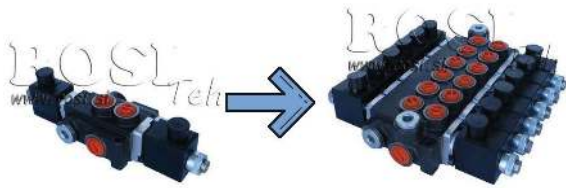
## JOYSTIC HIDRAVLIČNI VENTIL



## JOYSTIC VENTILI S PLETENICO

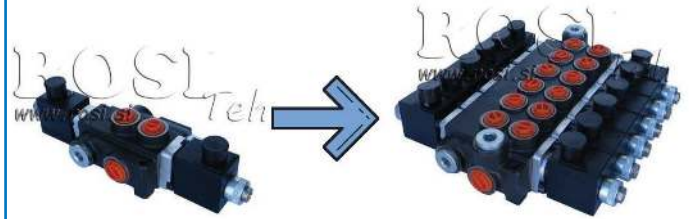


**EL. HIDRAVLÍČNI VENTILI Z50 + 12V DC**  
50 lit/min (OD 1 DO 7 SEGMENTOV)



1xZ50 >> 7xZ50

**EL. HIDRAVLÍČNI VENTILI Z80 + 12V DC**  
80 lit/min (OD 1 DO 6 SEGMENTOV)



1xZ80 >> 6xZ80

**KOMBINIRANI HIDRAVLÍČNI VENTILI P80 - EO+12V**  
80 lit/min (OD 1 DO 6 SEGMENTOV)



1xP80-EO >> 6xP80-EO

**DELI ZA HIDRAVLÍČNE VENTILE P40 IN P80**



**KIT JOYSTIC**



**PLAVAJOČE VRETENO**



**ENOSMerno VRETENO**



**ZASKOČNO VRETENO**



**CARRY OVER**



**MIKROSTIKALO**



**PNEVMATSKA  
SERVOKOMANDA**



**JOYSTIC 1 POZ ZA  
PLETENICO VILICE**



**JOYSTIC NIMCO ZA  
PLETENICO KROGLE**



**NOSILEC AL. ZA PLETENICO**



**PLETENICA KROGLE**



**PLETENICA VILICE**



2 POTNI



3 POTNI



6 POTNI



8 POTNI

## ELEKTRO-MAGNETNI POTNI VENTILI

IME VENTILA	MAX PRETOK [lit/min]	NAPETOST [V]
2 POTNI 3/8" (NO)	40	12/24
2 POTNI 1/2" (NO)	60	12/24
2 POTNI 3/4" (NO)	150	12/24
2 POTNI 3/8" (NC)	40	12/24
2 POTNI 1/2" (NC)	60	12/24
2 POTNI 3/4" (NC)	150	12/24
3 POTNI 1/2"	60	12/24
6 POTNI 3/8" (6/2)	50	12/24
6 POTNI 1/2" (6/2)	90	12/24
6 POTNI 3/4" (6/2)	140	12/24
8 POTNI 3/8" (6/2)	50	12/24

## KRMILJENJE ELEKTRO-MAGNETNIH VENTILOV



DALJINSKE ROČICE



ROČICE ENERGO



ELEKTRIČNI JOYSTIC



DALJINSKA STIKALA



RADIJSKI KRMILNIKI



TLAČNA STIKALA



EL. KONEKTORJI

## TRAKTORSKI POTNI VENTILI



HID. VENTIL IMT 480



HID. VENTIL IMT 481



HID. VENTIL IMT 625



HID. VENTIL FIAT



ZAVORNI VENTIL Z ROČICO



HID. PROPORCIONALNI TRAKTORSKI ZAVORNI VENTIL



HID. VENTIL ZA ČELNO HIDRAVLIKO - NAKLADAČ



ROČNI DELILNIK KIPER IZHODA



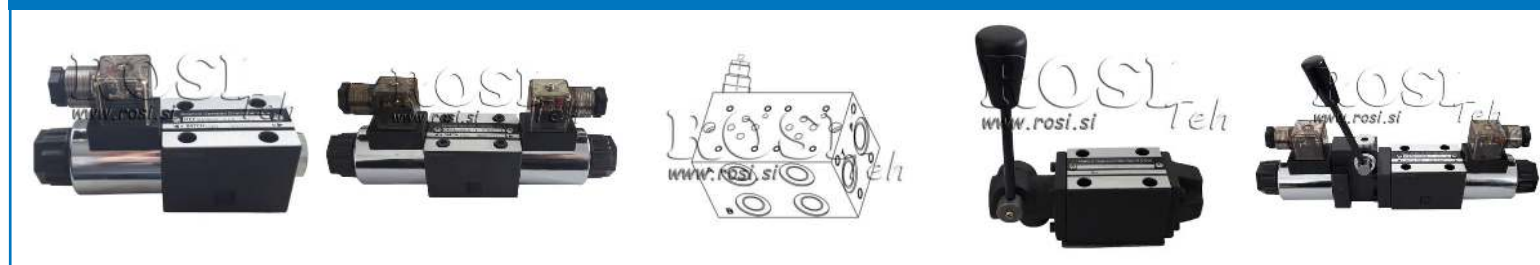
## KRMILNI VENTILI

				
<b>2 POTNA ZAPORNA PIPA</b>	<b>3 POTNA PIPA</b>	<b>3 POTNI VENTIL</b>	<b>4 POTNI VENTIL</b>	<b>6 POTNI VENTIL</b>
				
<b>CEVNI REGULATOR PRETOKA</b>	<b>REGULATOR PRETOKA</b>	<b>NEPOVRATNI CEVNI VENTIL</b>	<b>BLOK VENTIL</b>	<b>PRIORITETNI VENTIL</b>
				
<b>OBRAČALNI VENTIL</b>	<b>VENTIL ZA KRTA</b>	<b>DELILNI VENTIL PRETOKA</b>	<b>REGULATOR TLAKA</b>	<b>REGULATOR TLAKA DVOJNI</b>

## VENTILI ZA CEPILEC



## HIDRAVLIČNI ELEKTRO MAGNETNI VENTILI CETOP





## KOVINSKI SESALNI FILTRI

ŠIFRA	IME FILTRA	MAX PRETOK [lit/min]	NAVOJ
11527	1/4" - 5 LIT	5	1/4"
11528	1" - 15 LIT	15	1"
11529	1" - 25 LIT	25	1"
11530	1" - 45 LIT	45	1"
11531	1 1/2" - 65 LIT	65	1 1/2"
11532	1 1/2" - 90 LIT	90	1 1/2"
11533	1 1/2" - 125 LIT	125	1 1/2"
11534	1 1/2" - 180 LIT	180	1 1/2"



## POVRATNI FILTRI

ŠIFRA	IME FILTRA	MAX PRETOK [lit/min]	NAVOJ
10284	1/2" - 30μ	40	1/2"
10234	3/4" - 30μ	75	3/4"
10235	1" - 30μ	85	1"
11608	1/2" - 60μ	75	1/2"
11609	3/4" - 60μ	110	3/4"
11610	1" - 60μ	110	1"



## OHIŠJE ZA SESALNE FILTRE

ŠIFRA	IME OHIŠJA	NAVOJ
10625	3/4"	3/4"
10626	1 1/4"	1 1/4"

## SESALNI FILTRI VLOŽKI

ŠIFRA	IME FILTRA	NAVOJ
11587	3/4" - 10μ KRATKI	3/4"
11588	3/4" - 10μ DOLGI	3/4"
10627	3/4" - 25μ KRATKI	3/4"
10628	3/4" - 25μ DOLGI	3/4"
11589	1 1/4" - 10μ KRATKI	1 1/4"
10629	1 1/4" - 25μ KRATKI	1 1/4"

## OSTALI HIDRAVLIČNI FILTRI IN OPREMA ZA FILTRE



CEVNI FILTRI



NALIVNI FILTRI



NALIVNI ČEPI



VLOŽKI ZA POVRATNI FILTER



## HLADILNIKI OLJA DC 12V

ŠIFRA	ZA PRETOK OLJA [lit/min]	TOKOVNA OBREMENITEV [A]	MOČ [W]	TERMOSTAT VKLOP [°C]	ZRAČNI PRETOK [m³/h]
10874	10-40	6,3	75,6	60	400
10895	20-80	7,6	91,2	60	650
10408	20-100	7,6	91,2	60	650
10434	30-150	9,2	110	60	1210
10571	40-160	17,6	211	60	1830
10478	50-200	20	246	60	2360

MAX OBRATOVALNA TEMPARATURA 120°C, MAX STATIČNI TLAK 36 bar

## HLADILNIKI OLJA DC 24V

ŠIFRA	ZA PRETOK OLJA [lit/min]	TOKOVNA OBREMENITEV [A]	MOČ [W]	TERMOSTAT VKLOP [°C]	ZRAČNI PRETOK [m³/h]
10983	10-40	3,3	75,6	60	400
10419	20-80	4	91,2	60	650
10952	20-100	4	91,2	60	650
10244	30-150	4,5	110	60	1210
10976	40-160	7,6	211	60	1830
10850	50-200	10	246	60	2360

MAX OBRATOVALNA TEMPARATURA 120°C, MAX STATIČNI TLAK 36 bar



## HLADILNIKI OLJA AC 230V

ŠIFRA	ZA PRETOK OLJA [lit/min]	TOKOVNA OBREMENITEV [A]	MOČ [W]	TERMOSTAT VKLOP [°C]	ZRAČNI PRETOK [m³/h]
11262	10-40	0,19/0,24	45	60	230
11263	20-80	0,27/0,33	62/76	60	650
11187	20-100	0,27/0,33	62/76	60	650
11188	30-120	0,43/0,52	100/120	60	1400
11264	40-160	0,95/1,17	220/270	60	2400
11265	50-200	0,69/0,95	160/200	60	2400

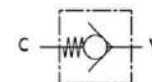
MAX OBRATOVALNA TEMPARATURA 120°C, MAX STATIČNI TLAK 36 bar



## DODATNA OPREMA ZA HLADILNIKE OLJA



TERMOSTAT



VARNOŠTNI VENTIL ZA HLADILNIK



MINI HID. AGREGATI 12V DC						
ŠIFRA	TIP SKLOPA	MOČ [kW]	PRETOK ČRPALKE [cc]	PRETOK AGREGATA [lit/min]	PROSTORNINA REZERVOARJA [lit]	MAX DELOVNI TLAK [bar]
10442	ENOSMERNI	1,6	2,1	5,6	8	155
11285	DVOSMERNI	1,6	2,1	5,6	8	155
11286	2x DVOSMERNI	1,6	2,1	5,6	8	155

MINI HID. AGREGATI 24V DC						
ŠIFRA	TIP SKLOPA	MOČ [kW]	PRETOK ČRPALKE [cc]	PRETOK AGREGATA [lit/min]	PROSTORNINA REZERVOARJA [lit]	MAX DELOVNI TLAK [bar]
10444	ENOSMERNI	2,2	2,1	5,8	8	195
11549	DVOSMERNI	2,2	2,1	5,8	8	195
10443	2x DVOSMERNI	2,2	2,1	5,8	8	195



MINI HID. AGREGATI 230V AC						
ŠIFRA	TIP SKLOPA	MOČ [kW]	PRETOK ČRPALKE [cc]	PRETOK AGREGATA [lit/min]	PROSTORNINA REZERVOARJA [lit]	MAX DELOVNI TLAK [bar]
10447	DVOSMERNI	0,75	3,7	5,2	4	85
10449	DVOSMERNI	1,5	5,8	8,2	6	110
10451	DVOSMERNI	2,2	8,0	11,2	12	120

MINI HID. AGREGATI 380V AC						
ŠIFRA	TIP SKLOPA	MOČ [kW]	PRETOK ČRPALKE [cc]	PRETOK AGREGATA [lit/min]	PROSTORNINA REZERVOARJA [lit]	MAX DELOVNI TLAK [bar]
10446	DVOSMERNI	0,75	3,7	5,2	4	85
10448	DVOSMERNI	1,5	5,8	8,2	6	110
10450	DVOSMERNI	2,2	8,0	11,2	12	120
100530	DVOSMERNI	4	8	12	25	160



HID. BENCINSKI SKLOP				
ŠIFRA	MOTOR [ccm]	ČRPALKA	PRETOK ČRPALKE [cc]	PRETOK AGREGATA [lit/min]
20573	420	GR. 2	12	43,2
20574	420	HI-LO	12,9+4,1	61,2/14,8

**HID. BENCINSKI AGREGAT 420ccm SKLOP 43,2 lit - REZERVOAR 70 lit**

**MINI HIDRAVLIČNI AGREGAT 380V AC (4 kW) 160 bar - 8 cc - 12 lit/min - REZERVOAR 25 lit**



HID. SKLOP ČRPALKE + 3 FAZNI EL. MOTOR					
ŠIFRA	MOČ MOTORJA [kW]	ČRPALKA	PRETOK ČRPALKE [cc]	PRETOK AGREGATA [lit/min]	MAX DELOVNI TLAK [bar]
10955	7,5	GR. 2	20	29	155
10991	5,5	GR. 2	16	23	150
10897	4	GR. 2	12	17	140
10990	3	GR. 1	8	11,5	160
10879	2,2	GR. 1	5,8	8,2	165

## DELI ZA HID. SKLOP ČRPALKE



EL. MOTORJI



HID. ČRPALKE



HID. PRIROBNICE - ZVONI



GUMI VMESNIK



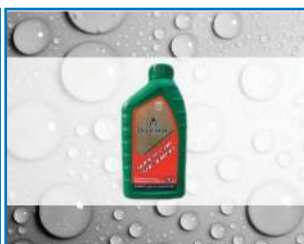
REZERVOARJI ZA HIDRAVLIČNE AGREGATE TIP MPN	
ŠIFRA	PROSTORNINA [lit]
11146	12
11147	25
11148	40
11149	70
100472	100
100661	160
100674	250



REZERVOARJI KOVINSKI		
ŠIFRA	DIMENZIJE [mm]	PROSTORNINA [lit]
11771	255x120x450	12
100364	260x170x600	25
11772	400x250x635	45
11770	OKROGLI FI 300x340	20



**SINTETIČNO MOTORNO OLJE - VISKOL EKOSINT 5W30-1Lit**



**DELNO SINT. MOTORNO OLJE - SUPER CAR 10W40-1Lit**



**SHPD MOTORNO OLJE - VISKOL MAXITURBO 15W40-1Lit**



**TRAKTORSKO UTTO OLJE - AGROVISK HT 80-10Lit**



**TRAKTORSKO UTTO OLJE-JOHN DEERE - AGROVISK FLUID JD 10W30-10Lit**



**MENJALNIŠKO OLJE - VISKOLUBE GL5 SAE 90-1Lit**



**MENJALNIŠKO OLJE - VISKOLUBE GL5 SAE 90-10Lit**



**MENJALNIŠKO OLJE - VISKOLUBE GL5 SAE 80w90-1Lit**



**MENJALNIŠKO OLJE - VISKOLUBE GL5 SAE 80w90-10Lit**



**OLJE ZA AVTOM. MENJALNIKE - VISKOL ATF DIII-1Lit**



**2T OLJE ZA MEŠANICO - VISKOL 2T-1Lit**



**HIDRAVLIČNO OLJE - HIDROVISK HD 32-10Lit**



**HIDRAVLIČNO OLJE - HIDROVISK HD 46-10Lit**



**HIDRAVLIČNO OLJE - HIDROVISK HD 68-10Lit**



**OPAŽNO OLJE - OPLA-TOL-10Lit**



**OLJE ZA MAZANJE VERIG - LANCOL-1Lit**



**OLJE ZA MAZANJE VERIG - LANCOL-4Lit**



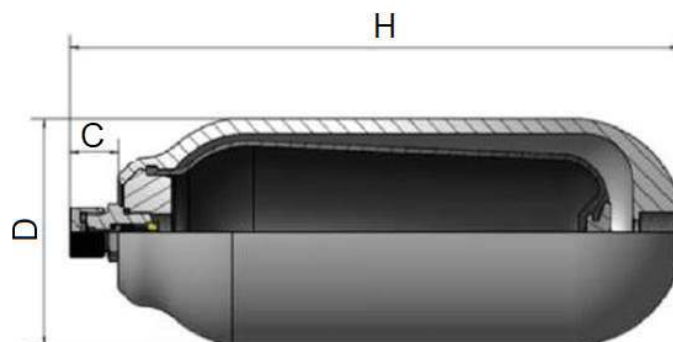
**MAST - VISKOLIT EP2 - 1KG**



**MAST - VISKOLIT EP2 - 16KG**



**ZAVORNA TEKOČINA - VISKOL HKT-0,5Lit**



MODEL	PROSTORNINA [l]	MAX TLAK [bar]	MAX N2 POLNENJE [bar]	H [mm]	D [mm]	C [mm]	HIDRAVLIČNI PRIKLJUČEK	MAX PRETOK [l/min]	TEŽA [kg]
H120R	0,12	250	160	140	50	23	M18x1.5 - F	35	1
H150R	0,15	250	160	142	70	23	M18x1.5 - F	40	1,2
H350R	0,35	250	160	190	70	23	M18x1.5 - F	35	1,7
H500R	0,45	250	160	167	92	23	M18x1.5 - F	50	1,9
H700R	0,7	250	160	220	92	23	M18x1.5 - F	40	2,7
H1000R	1	250	160	200	115	23	M18x1.5 - F	50	3,5
H1400R	1,48	250	160	270	115	23	M18x1.5 - F	40	4,9
H2000R	2	250	160	350	115	23	M18x1.5 - F	40	5,8
H3000R	2,8	250	160	400	115	23	1/2" BSP - F	60	8
H4000R	3,8	210	135	320	170	23	1/2" BSP - F	80	14

HIDRAVLIČNE AKUMULATORJE PREDPOLNIMONA ŽELJENI TLAK

## STROJI ZA CEVI

HYDRAULIKSCHLAUCH PRESSEN - HOSES PRESS - CSŐ GÉPEK

### ROČNE STISKALNICE



### 12V STISKALNICE



### ENOFAZNE STISKALNICE 230V



### TRIFAZNE STISKALNICE 400V



### REZALNIKI 12V/230V/400V



### LUPILCI 230V IN ROČNI



# HIDRAVLIČNI MANOMETRI

HYDRAULIKMANOMETER - HYDRAULIC MANOMETER - HIDRAULIKUS MANOMÉTEREK



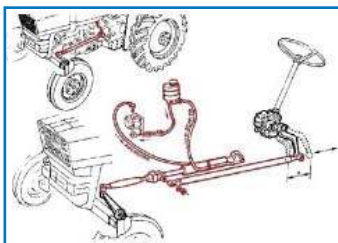
MANOMETRI				
OBMOČJE MERJENJA [bar]	Φ63 SPODNJI PRIKLOP 1/4"	Φ63 ZADNJI PRIKLOP 1/4"	Φ100 SPODNJI PRIKLOP 1/2"	Φ100 ZADNJI PRIKLOP 1/2"
	0-4	0-1	0-4	0-1
	0-6	0-2,5	0-6	0-2,5
	0-10	0-4	0-10	0-4
	0-12	0-6	0-12	0-6
	0-16	0-10	0-16	0-10
	0-20	0-12	0-20	0-12
	0-25	0-16	0-25	0-16
	0-40	0-20	0-40	0-20
	0-60	0-25	0-60	0-25
	0-100	0-40	0-100	0-40
	0-160	0-60	0-160	0-60
	0-250	0-100	0-250	0-100
	0-315	0-160	0-315	0-160
	0-400	0-250	0-400	0-250
0-600	0-315	0-600	0-315	
	0-400		0-400	
	0-600		0-600	
VAKUUMMETRI Φ63 SPODNJI PRIKLOP 1/4"				
-1-0				

# HIDRAVLIČNI VOLANI

HYDRAULIKLENKUNGEN - HYDRAULIC STEERING SET - HIDRAULIKUS KORMÁNYKEREK



HIDROSTATIČNI VOLANI



POMOŽNI VOLANI



VOLANSKI OBROČI



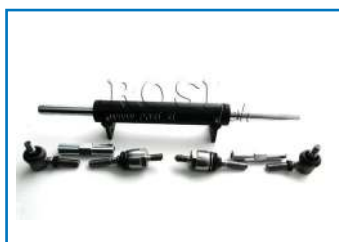
VOLANSKA GLAVA NO



VOLANSKA GLAVA NC



VOLANSKA GLAVA LS



VOLANSKI CILINDRI



NOSILEC ZA VOLANSKO GLAVO



VOLANSKI DROGI 75-775mm





## HIDRAVLICNE DVOPLASTNE CEVI

PREMER		NOTRANJI PREMER	NOTRANJI PREMER OPLETA	ZUNANJI PREMER	DELOVNI TLAK		TESTNI TLAK	RAZPOČNI TLAK	RADIJ UKRIVLJENOSTI	TEŽA
[mm]	[inch]	[mm]	[mm]	[mm]	[bar]	[psi]	[bar]	[bar]	[mm]	[kg/m]
6	1/4"	6,6	12,4	14,4	400	5800	800	1600	100	0,31
8	5/16"	8,3	14	16	350	5075	700	1400	115	0,37
10	3/8"	9,9	16,4	18,4	330	4785	660	1320	130	0,44
12	1/2"	13	19,4	21,4	275	4000	550	1100	180	0,53
16	5/8"	16,4	22,6	24,6	250	3625	500	1000	200	0,66
19	3/4"	19,5	26,6	28,6	215	3120	430	860	240	0,86
25	1"	26	34,5	37,1	165	2395	330	660	300	1,23
31	1-1/4"	32,5	43,9	46,7	125	1815	250	500	420	1,77
38	1-1/2"	38,7	51,1	54,5	90	1305	180	360	500	2,17
51	2"	51,1	62,9	66,7	80	1160	160	320	630	2,79

## PRIKLJUČKI ZA CEVI (FITINGI)



## HITRE SPOJKE



# REDUKTORJI

WINKELGETRIEBE - GEAR BOXES - CSÖKENTŐK

<b>KOTNI REDUKTOR L-150J 1:1 (11HP-8kW)</b>	<b>KOTNI REDUKTOR PTO 1:1,9 (14HP-10kW) ECO</b>	<b>KOTNI REDUKTOR PTO 1:1,9 (14HP-10kW)</b>	<b>KOTNI REDUKTOR PTO 1:2,88 (10HP-7kW)</b>	<b>KOTNI REDUKTOR PTO- R22T 1:2 (23HP-17kW)</b>
<b>KOTNI REDUKTOR PTO- R20T 1:2 (25HP-18kW)</b>	<b>KOTNI REDUKTOR PTO- R11S 1:2 (48HP-35kW)</b>	<b>KOTNI REDUKTOR TB- 19J 1,46:1 (23HP-16,9kW)</b>	<b>KOTNI REDUKTOR TB-27J 1,46:1 (40HP-29,4kW)</b>	<b>KOTNI REDUKTOR T-27J 1:1 (55HP-40,4kW)</b>
<b>KOTNI REDUKTOR T-311J 1:3 (50HP-36,8kW)</b>	<b>KOTNI REDUKTOR T-310J 1:3 (30HP-22kW)</b>	<b>KOTNI REDUKTOR LF- 205J 1:1,92 (30HP-22kW) ECO</b>	<b>KOTNI REDUKTOR LF- 205J 1:1,92 (30HP-22kW)</b>	<b>KOTNI REDUKTOR LF- 140J 1:1,92 (60HP-44kW)</b>

# KARDANSKI NASTAVKI

ZAPFWELLEN ANSÄTZE - P.T.O. NOZZLES AND ADAPTERS - KARDÁNOK

<b>KARDANSKI NASTAVKI</b>	<b>KARDANSKI NASTAVKI - PUŠA</b>	<b>KARDANSKI NASTAVKI S PRIROBNICO</b>	<b>KARDANSKI NASTAVKI Z ZATIČEM</b>
<b>KARDANSKI NASTAVKI - LUKNJA</b>	<b>KARDANSKI NASTAVKI - OBOJESTRANSKI</b>	<b>KARDANSKI NASTAVKI - STANDARD</b>	<b>KARDANSKI NASTAVKI - PRIROBNICA Z ZATIČEM</b>
<b>KARDANSKI NASTAVKI ZA KULTIVATORJE</b>	<b>KARDANI</b>	<b>ZAŠČITA ZA KARDANE</b>	<b>KARDANSKI NASTAVKI - ADAPTER</b>

## BENCINSKI MOTORJI



VELIKOSTI: 90ccm, 420ccm  
MOŽNOST ELEKTRIČNEGA ZAGONA

## DIESELSKI MOTORJI



VELIKOST: 474ccm  
MOŽNOST ELEKTRIČNEGA ZAGONA

## ELEKTRO MOTORJI

ELEKTROMOTORE - ELECTRIC MOTORS - ELEKTROMOS MOTOROK

### B3 (NOGICE)



### B35 (PRIROBNICA + NOGICE)



- ENOFAZNI (230V) MOČI OD 0,18kW DO 3 kW  
- TRIFAZNI (400V) MOČI OD 0,55 kW DO 315 kW  
- 2P 2800 vrt/min, 4P 1400 vrt/min, 6P 900 vrt/min

## DELI ZA CIRKULAR

KREISSÄGE ZUBEHÖR - ROTATION SAW ACCESSORIES - ALKOTRÉSZEK KÖR FÜRÉZHEZ



KROŽNA REZILA



KARDANSKA OSOVINA



OSOVINA



KOTNI REDUKTOR



JERMENICA



ENOFAZNI MOTOR 230V



TRIFAZNI MOTOR 400V

## SEDEŽI

TRAKTORSITZE - TRACTOR SEAT - ŰLÉSEK



UNIVERZALNI TRAKTORSKI SEDEŽ



SEDEŽ ZA VILIČARJA



TRAKTORSKI PNEVMATSKI SEDEŽ



UNIVERZALNI VRTLJIVI SEDEŽ

## VITLI

SEILWINDEN - WINCHES - CSÖRLŐK



ŠKRIPEC



230V ELEKTRIČNI VITEL



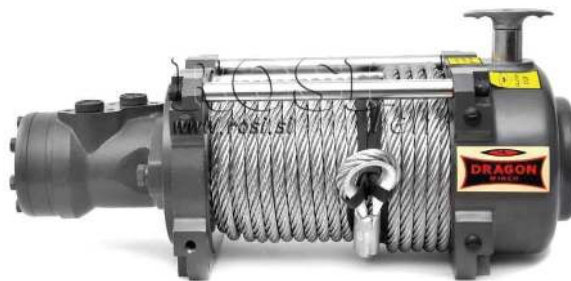
ELEKTRO POGON VOZIČKA ZA INDUSTRIJSKO DVIGALO



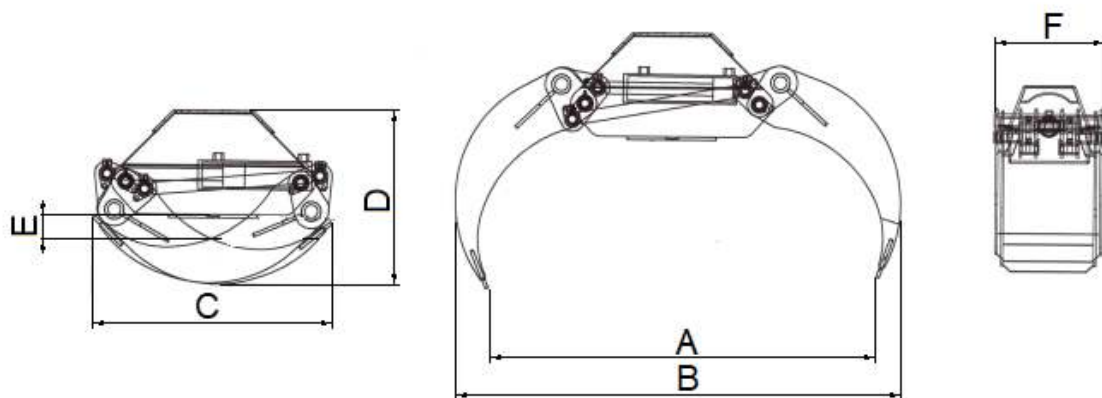
ROČNI POGON VOZIČKA ZA INDUSTRIJSKO DVIGALO



ROČNI IN ELEKTRIČNI VITLI					
ŠIFRA	OZNAKA	VLEČNA SILA [kg]	POGON	PLETENICA	
				DOLŽINA [m]	DEBELINA [mm]
11928	DWK 12	540	ROČNI	10	4
11927	DWK 16	725	ROČNI	10	5
11320	DWK 25 V	1133	ROČNI	10	6
11926	DWK 35 V	1588	ROČNI	10	6
10860	DWM 2500 ST	1133	12 V DC	10	4,5
11989	DWM 3500 ST	1588	12 V DC	10	4,5
11901	DWH 3000 HD	1326	12 V DC	15	4,5
11900	DWH 3500 HD	1588	12 V DC	15	5
11899	DWM 4500 HD	2041	12 V DC	15	5,5
11893	DWM 8000 HD	3629	12 V DC	24	7
10680	DWM 12000 HD	5433	12 V DC	28	9,5
11891			24 V DC		
11890	DWM 13000 HD	5897	12 V DC	28	9,5
10681			24 V DC		
11910	DWT 14000 HD	6350	24 V DC	20	10,5
11906	DWT 15000 HD	6803	24 V DC	26	12
11902	DWT 18000 HD	8165	24 V DC	28	11
100160	DWT 22000 HD	9979	24 V DC	31	12



HIDRAVLICNI VITLI				
ŠIFRA	OZNAKA	VLEČNA SILA [kg]	PRETOK OLJA [lit/min]	PLETENICA DOLŽINA [m]
100141	DWHI 15000 HD	6803	5-45	28
11915	DWHI 18000 HD	8165	5-65	28
13405	DWHI 20000 HD	9072	5-60	31



## GOZDARSKA KLEŠČA ZA HLODOVINO

NOSILNOST [kg]	A (ODPIRANJE) [mm]	B [mm]	C [mm]	D [mm]	E [mm]	F [mm]	PRIKLJUČEK	Teža [kg]
510	1030	1130	620	450	55	330	M16x1,5	53
800	1000	1099	591	426	55	377	3/8"	70
1200	1120	1126	650	450	90	350	3/8"	70
1500	1320	1430	690	490	120	450	3/8"	118
2500	1500	1645	860	590	130	510	3/8"	138

## GOZDARSKA KLEŠČA ZA BIOMASO

NOSILNOST [kg]	A (ODPIRANJE) [mm]	B [mm]	C [mm]	D [mm]	E [mm]	F [mm]	PRIKLJUČEK	Teža [kg]
800	1000	1099	591	426	55	377	3/8"	70
1500	1320	1430	690	490	120	450	3/8"	118
2500	1500	1645	860	590	130	510	3/8"	138

## ROTATORJI

ROTATOR	STATIČNA NOSILNOST [kg]	DINAMIČNA NOSILNOST [kg]	ROTACIJA	NAVOR [Nm]	PRETOK [l/min]
1000/500 KG	1000	500	360°	450	10
3000/1500 KG	3000	1500	360°	1000	20
4500/2500 KG	4500	2500	360°	1100	20
5500/2500 KG	5.500	2500	360°	1300	22
6000/3000 KG	6.000	3000	360°	1800	25
10000/5000 KG	10000	5000	360°	2500	25
12000/6000 KG	12.000	6000	360°	2900	35
16000/8000 KG	16.000	8000	360°	3400	40



## GOZDARSKA KLEŠČA ZA HLODOVINO



## GOZDARSKA KLEŠČA ZA BIOMASO



### ZAPIRALA



PIANTONE



ROSI 02



OCCHIO



MEDIA



ANELLO



BLOCO



EXTRA



FRANCIA



LEGERA



RISCO



CIERE



MAROTTA

### ZAVORNI CILINDRI



Z NOTRANJO VZMETJO



Z NOTRANJO VZMETJO



Z PNEVMATSKIM BOBNOM



Z ZUNANJO VZMETJO



Z ZUNANJO VZMETJO

### VLEČNE KLJUKE



FIKSNE



VRTLJIVE



ZA AVTOPRIKOLICE



FIKSNI



VRTLJIVI

### PODPORNE NOGE



NAVOJNE



HIDRAVLICNE



ZA AVTOPRIKOLICE



LUČI



STRANICE



## TEČAJI IN NOSILCI



SET NOSILCEV ZA KIPER KESON



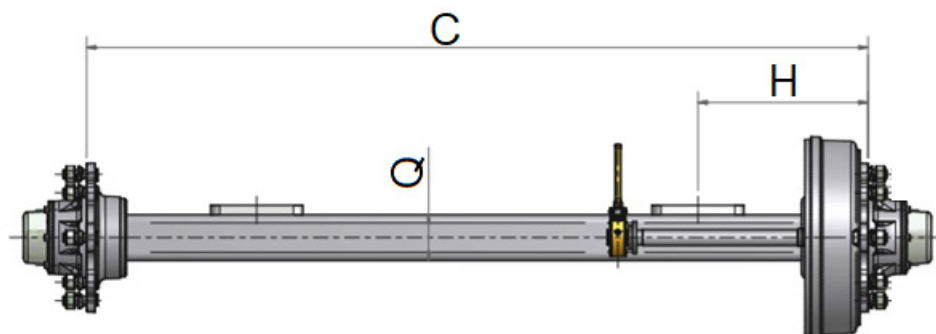
SET NOSILCEV ZA KIPER KESON VILIČASTI



TEČAJ STRANICE ŽENSKI

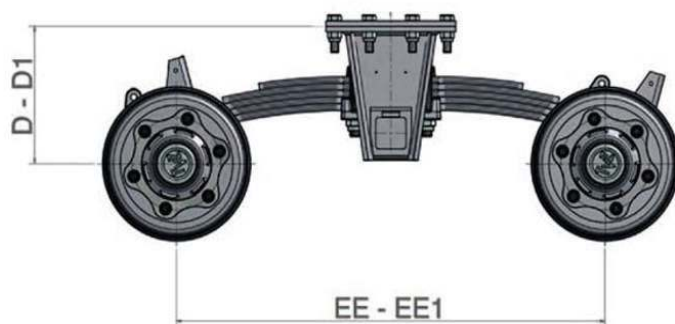
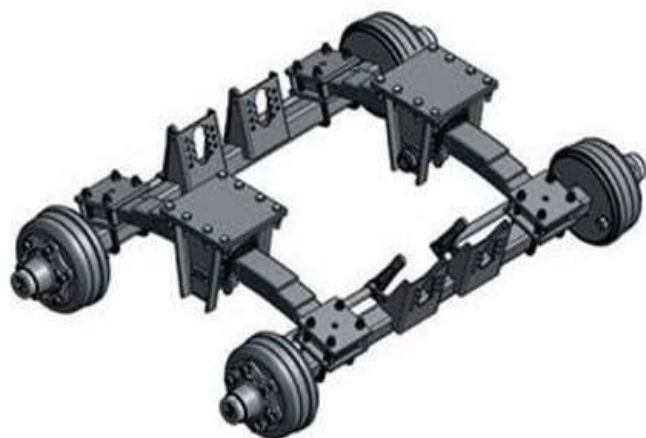


TEČAJ STRANICE MOŠKI



## OSOVINE ZA PRIKOLICE Z ZAVORAMI

ŠIFRA	MODEL	Q [mm]	C [mm]	H [mm]	NOSILNOST PRI 25 km/h [kg]	NOSILNOST PRI 40km/h [kg]	PRIPOROČLJIVE PNEVMATIKE
10980	4800kg-1500mm	60	1500	190	4800	4200	11,5/80-15,3 ali 400/60-15,5
100549	7200kg-1600mm	70	1600	225	7200	6700	15,0/55-17
100550	7200kg-1800mm	80	1800	340	7200	6700	15,0/55-17
13208	7200kg-2000mm	80	2000	585	7200	6700	15,0/55-17



## TANDEMSKA PODVOZJA BOGIE Z OSOVINO

ŠIFRA	MODEL	NOSILNOST [kg]	EE [mm]	PROFIL [mm]	D [mm]	D1 [mm]	EE1 [mm]	PRIPOROČLJIVE PNEVMATIKE
20010	L100-B805 4x15 (3LM)	8000	920	70x70	302	281	884	15,0/55-17"
20011	L100-B803 5x15 (3LM)	8500	1000	70x70	302	277	988	15,0/55-17"
20012	L100-B800 3x15 3x20 (3LM)	10500	1300	80x80	307	268	1294	15,0/55-17"
20013	L100-B801 3x15 3x20 (3LM)	11500	1200	80x80	307	276	1182	15,0/55-17"
20014	L100-BT00 5x18 (3LM)	12000	1000	80x80	305	285	990	19,0/45-17"
20015	L100-B802 3x15 3x20 (3LM)	13000	1100	80x80	307	281	1079	19,0/45-17"

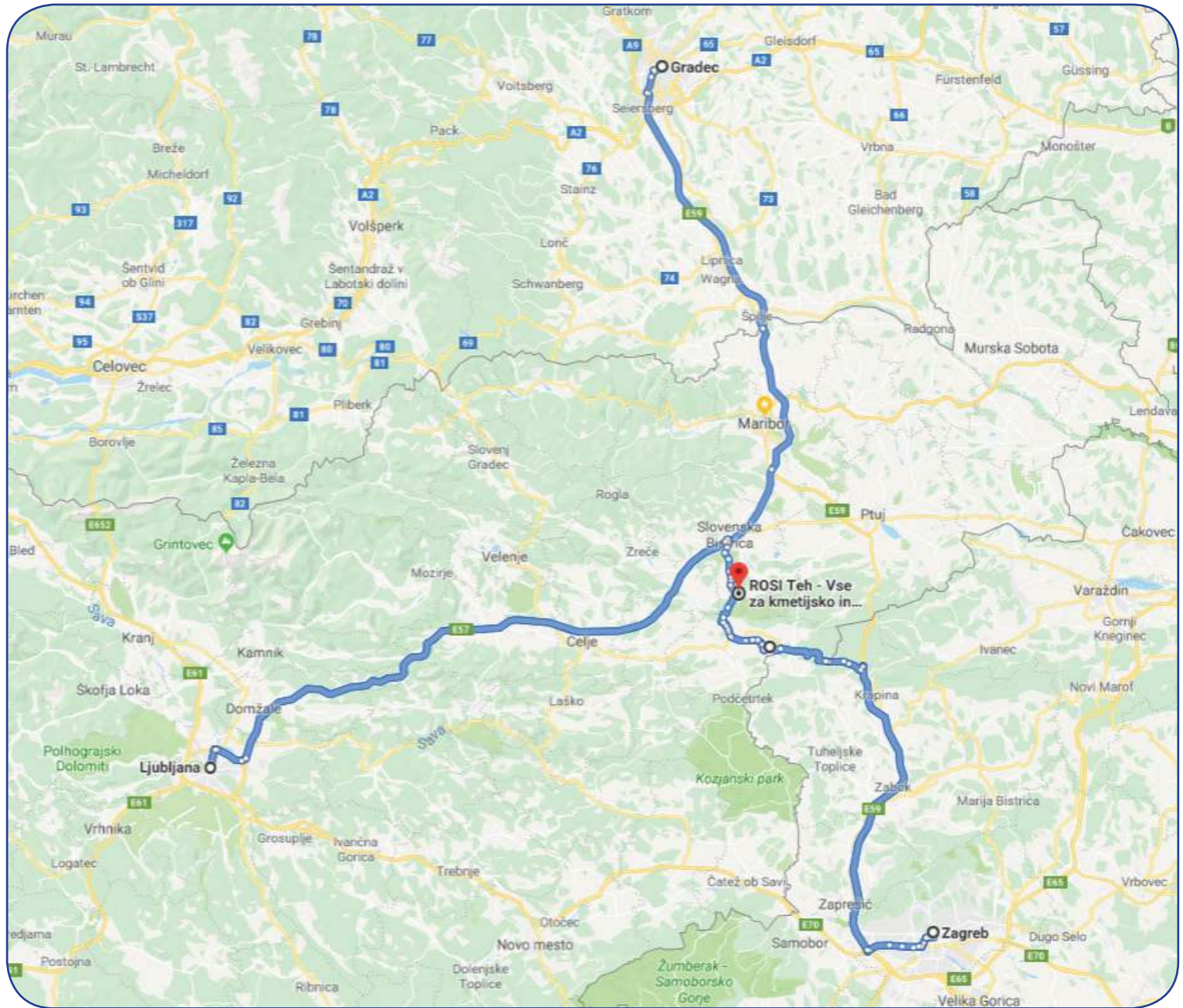
D - NEOBREMENJENA D1 - OBREMENJENA EE - OBREMENJENA EE1 - NEOBREMENJENA



## TABELA MOČI HIDRAVLIČNIH CILINDROV

HIDRAVLIČNI CILINDER [bat/batnica]	SILA RAZTEGOVANJA <--> [pri 250 bar]	SILA RAZTEGOVANJA <--> [pri 180 bar]	SILA KRČENJA >--< [pri 250 bar]	SILA KRČENJA >--< [pri 180 bar]
32/20	1,77 ton	1,27	0,98	0,71
40/25	3,14 ton	2,26	1,91	1,38
50/30	4,91 ton	3,53	3,14	2,26
60/30	7,07 ton	5,09	5,30	3,82
60/40	7,07 ton	5,09	3,93	2,83
63/35	7,79 ton	5,61	5,39	3,88
70/40	9,62 ton	6,92	6,48	4,66
80/40	12,56 ton	9,04	9,42	6,78
80/50	12,56 ton	9,04	7,65	5,51
100/50	19,36 ton	14,3	14,72	10,60
100/60	19,36 ton	14,3	12,56	9,04
110/70	23,75 ton	17,10	14,13	10,17

***ROSI Teh d.o.o.***  
***Dravinjska cesta 96,***  
***2319 Poljčane [SLO]***



**Ljubljana → ROSI Teh Poljčane = 115km(1h 25min)**  
**Maribor → ROSI Teh Poljčane = 33km (35min)**  
**Zagreb → ROSI Teh Poljčane = 100km (1h 35min)**  
**Graz → ROSI Teh Poljčane = 100km (1h 25min)**

**ROSI**  
www.rositeh.si Teh



**KONTAKT ÖSTERREICH UND DEUTSCHLAND:**



+664 1843771



info@rositeh.at  
info@rositeh.de



www.rositeh.at  
www.rositeh.de



**ÉRINTKEZÉS MAGYARORSZÁG**



+362 02251479



export@rositeh.si



www.rositeh.si/hu



**KONTAKT SLOVENIJA IN HRVAŠKA:**



+386 41892655



info@rositeh.si



www.rositeh.si  
www.rositeh.hr



**INTERNATIONAL CONTACT**



+664 1843771



export@rositeh.si



www.rositeh.si/en



Matična št.: 7190549000, Davčna št.: SI42791375  
TRR: SI56 0443 0000 3103 435 (NKBM), BIC: KBMASI2xxxx